



COLD/FROZEN SATELLITE FOOD VENDOR CF-1000/FF-2000



A10803

MODELS:

3162 - COLD FOOD

3182 - FROZEN FOOD

PARTS MANUAL

TABLE OF CONTENTS

ORDER INFORMATION	2
Minimum Order	2
Payment	2
To Order By Mail	2
To Order by FAX	2
To Order by Phone.....	2
To Order On The Web	3
Returns.....	3
Limitation of Liability.....	3
Questions	3
FINAL ASSEMBLY	4
Cabinet Parts - CF1000	6
Cabinet Parts - FF2000.....	7
Relay Box Assembly	11
Cabinet Foam Assembly (CF & FF).....	13
Evaporator Assembly - FF2000.....	15
Refrigeration Assembly - CF1000 110V	17
Refrigeration Base Assembly - FF2000 110V	19
Service Package	20
Tray Parts.....	21
Door Parts - CF1000	23
Door Parts - FF1000	24
Transition Assembly.....	27
Filter Label Assembly.....	28
TERMINATED Ballast Assembly FF.....	29

ORDER INFORMATION

You may order parts from your distributor or from VendNet™. If you have any questions when placing your order, please call and we will be happy to assist you. Please provide the following information when placing your order:

- Quantity required
- Part number
- Description of part
- Vending machine model number
- Vending machine serial number
- Shipping and billing address
- Preferred method of shipment
- Customer account number

Note:

When "right" and "left" are used with a part name, it is taken to mean that the person is facing the machine with the door closed.

MINIMUM ORDER

You may wish to inquire on prices of parts and minimum order amount at the time of your order. If you order less than the minimum, please check our catalog for other parts you may require to bring your order up to the minimum amount.

VendNet™ reserves the right to change these requirements without notice.

PAYMENT

Several payment options are available:

- MASTER CARD
- VISA
- OPEN ACCOUNT (with approved credit)
- DISCOVER
- C.O.D.

TO ORDER BY MAIL

Order forms are available upon request or you may use your own purchase order form. You may mail your order for replacement parts by providing the necessary information as requested above to:

VendNet™
165 North 10th Street
Waukee, IA 50263-0488
USA

TO ORDER BY FAX

You may FAX your order for replacement parts by providing the necessary information as requested above to VendNet™:

1-515-987-4447

TO ORDER BY PHONE

You may call in your order for replacement part by providing the necessary information as requested above to VendNet™ Parts Department.

USA 1-888-259-9965
Canada 1-800-858-4730
Other 1-515-274-3641

TO ORDER ON THE WEB

You may go online and place an order through the internet:

<http://www.vendnetusa.com>

<http://www.vendnet.ws>

RETURNS

A restocking charge of 20% will apply to merchandise accepted by VendNet™ for return, except items processed as warranty. A Return Form clearly stating the reason for return must accompany all items returned. Return Forms are available upon request from VendNet™. Returns are to be shipped freight prepaid to:

VendNet™

165 North 10th Street

Waukee, IA 50263-0488

LIMITATION OF LIABILITY

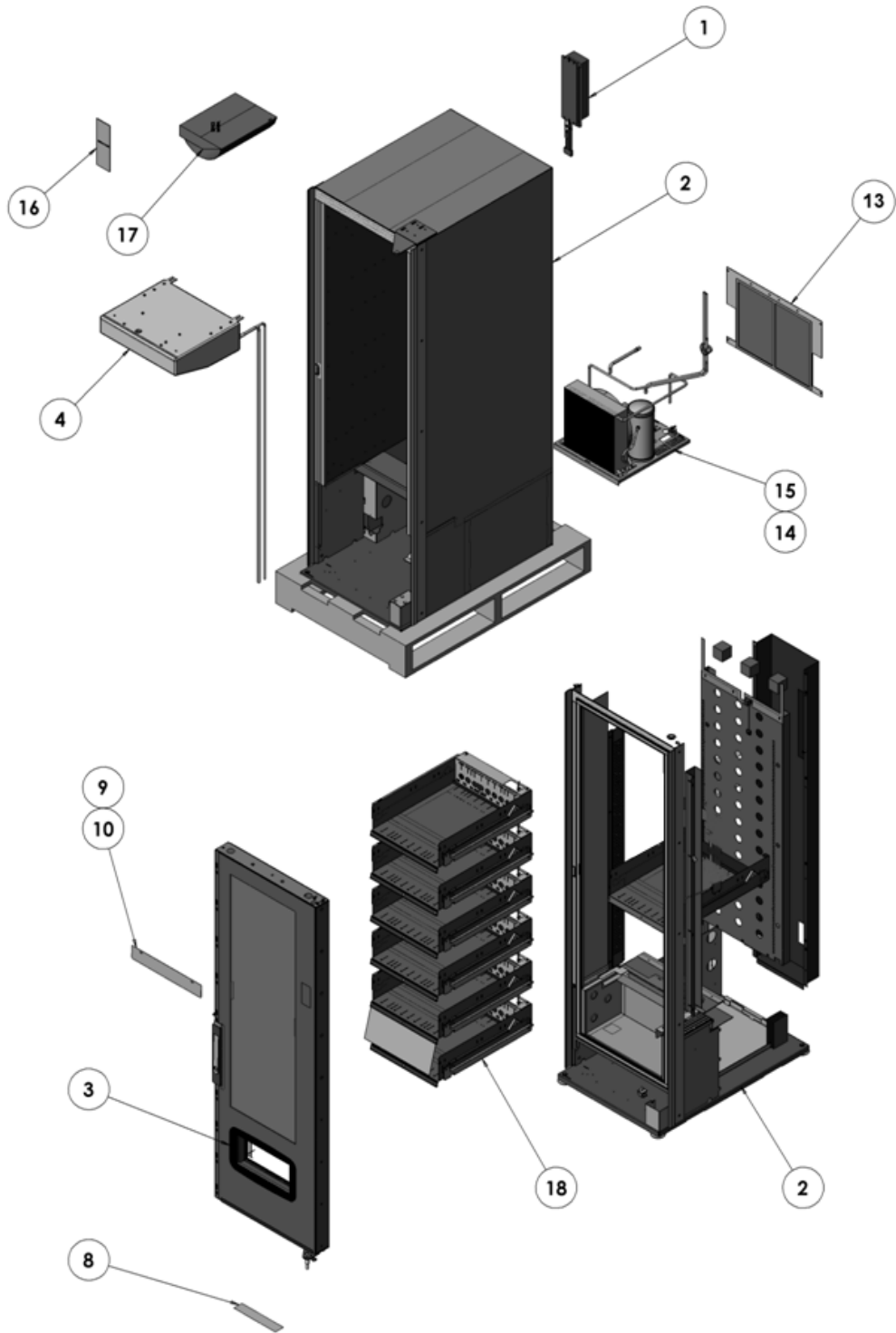
VendNet™ shall not be liable for any injury, loss or damage, whether direct, incidental or consequential arising out of the use of or the inability to use any part, parts or products sold by VendNet™. The remedies of the buyer set forth herein are exclusive, and the liability of VendNet™. With respect to any contract or sale or anything done in connection herewith, whether in contract, in tort, under any warranty, or otherwise, shall not, except as expressly provided herein, exceed the price of the part, parts or products on which such liability is based. Any statements or representations about the parts or product, other than those contained herein, do not constitute warranties and shall not be relied on by the buyer and shall have no force of effect unless contained in a written agreement signed by officers of VendNet™.

QUESTIONS

If you have any questions:

- Check our website at www.vendnetusa.com or www.vendnet.ws
- Send an email to vendnet@vendnetusa.com
- Or please call VendNet™ by phone and ask for the Parts Department.
We will be happy to assist you.

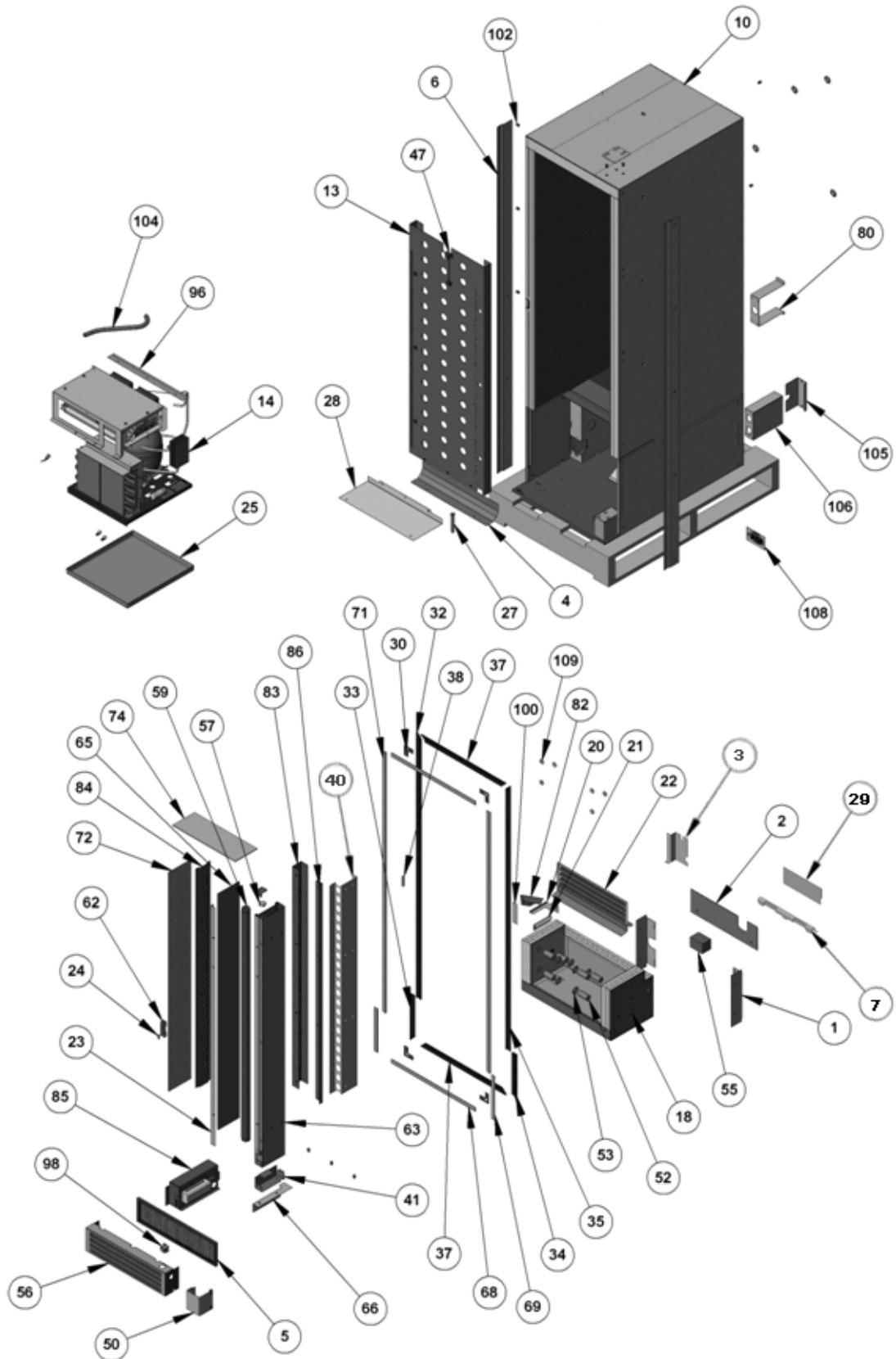
FINAL ASSEMBLY



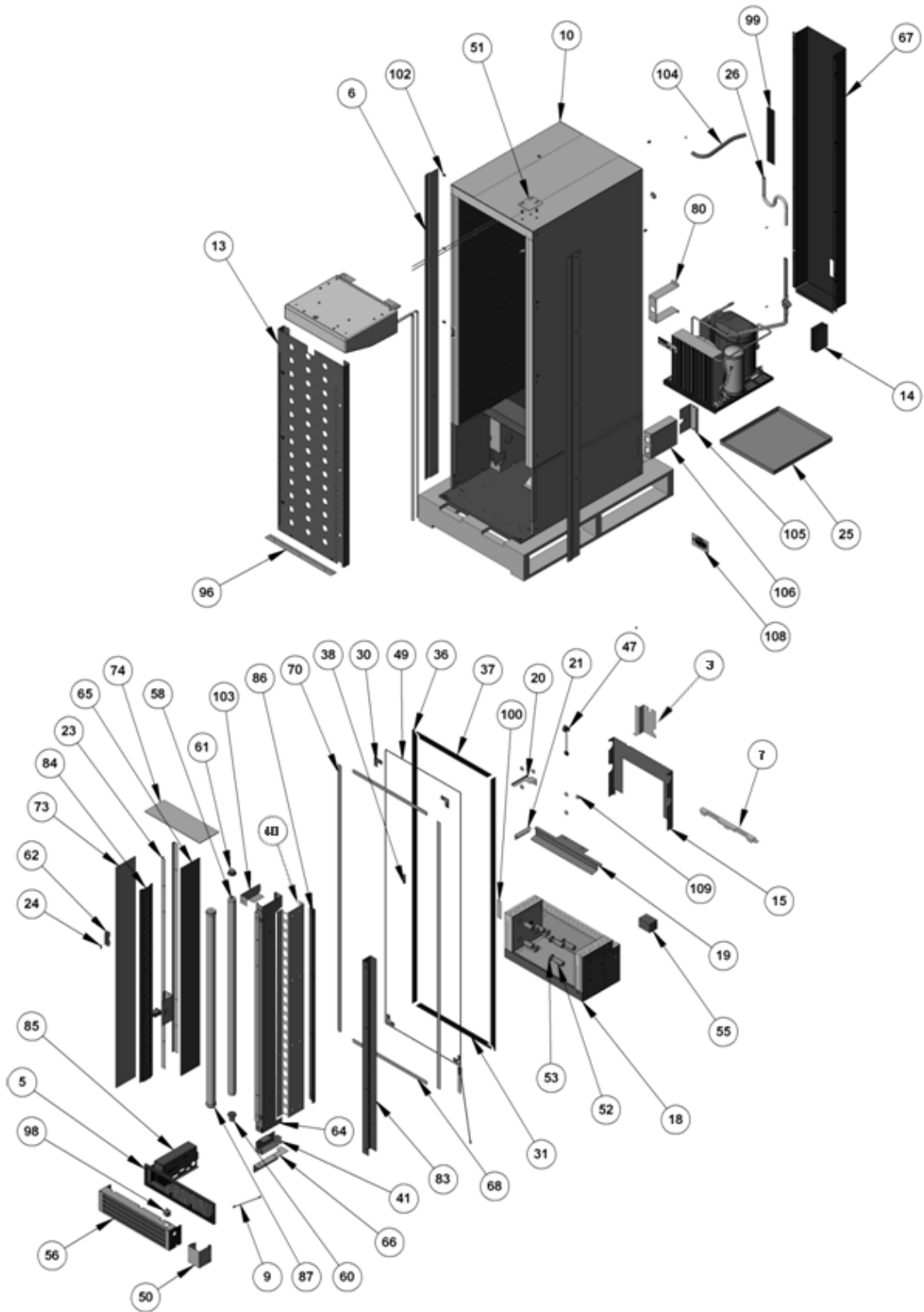
FINAL ASSEMBLY PARTS

ITEM	PART NUMBER	QTY	QTY	DESCRIPTION
		X	-	FF2000, Frozen Satellite Food Vendor
		-	X	CF1000, Cold Satellite Food Vendor
1	See page 29	1	-	Ballast, Terminated 110V
2	See page 6	1	1	Cabinet Parts
3	See page 23	1	1	Door Parts
4	See page 15	1	-	Evaporator Assembly
5	4212241	1	1	Extension Cable (not shown)
6	See page 28	1	1	Filter Label Assembly (not shown)
7	4212751	1	1	Installation Instructions, CF1000/FF2000 (not shown)
8	4212677	1	1	Label, Dust Filter
9	4213492.002	1	-	English Frozen Right/Left
10	4213492.001	-	1	English Chilled Right/Left
11	4060330	1	1	Lock, Cylindrical with 2 Keys (not shown)
12	4212242	1	1	Power Cable (not shown)
13	1216037.000330	-	1	Rear Screen Weld, Wrinkle Black, CF1000
	1216141.000330	1	-	Rear Screen Weld, Wrinkle Black, FF2000
14	See page 17	-	1	Refrigeration Assembly, CF1000 110V (not shown)
15	See page 19	1	-	Refrigeration Base Assembly, FF2000 110V
16	4205044.245	-	1	Serial Plate, CF-110V (not for resale)
	4205044.261	1	-	Serial Plate, FF-110V (not for resale)
17	See page 20	1	1	Service Package, CF1000/FF2000
18	See page 21	1	1	Tray Parts
19	4201375	1	1	Warning Tag, Grounding (not shown)
20	4212816	1	1	Tie Strap (not shown)
21	4213628	1	1	Fair-Rite Bead Snap Fit (not shown)
22	4212626	2	2	Sign Face Extrusion Top/Btm (not shown)
23	4212626.001	2	2	Sign Face Extrusion Sides (not shown)
24	4212627	1	1	Blk Pica Front (not shown)

CABINET PARTS - CF1000



CABINET PARTS - FF2000



CABINET PARTS

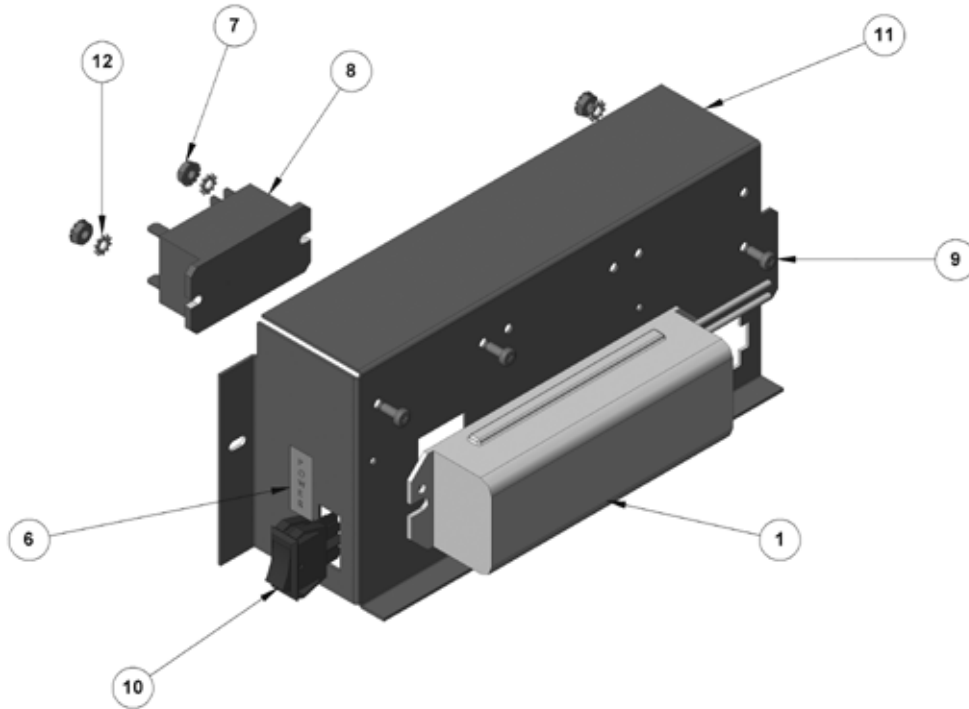
ITEM	PART NUMBER	QTY	QTY	DESCRIPTION
		X	-	Cabinet Parts FF2000
		-	X	Cabinet Parts CF1000
1	4215946	-	2	Air Block, Side
2	4212394	-	1	Air Block, Top, CF1000
3	4213839	1	1	Air Blocker Bracket
4	4212372	-	1	Air Deflector, CF1000
5	4212630.001	1	1	Air Filter
6	4212676	2	2	Anti Cheat, Side, Wrinkle Black
7	4213201	1	1	Back Refer Bracket
8	4050099	1	1	Bolt, 5/16-18x3/4 Carriage (not shown)
9	4208231.003	1	-	Bottle Cord, 7"
10	See page 13	1	1	Cabinet Foam Assembly, Wrinkle Black
11	4033712	3	-	Cable Tie, 7-3/8" (not shown)
12	4033505	4	-	Closed End Splice (not shown)
13	4212345	1	1	Cold Air Duct, Smooth Black
14	4212661	6	6	Condensate Evaporate Card
15	4213174	1	-	Condenser Air Block
16	4213182	1	-	Copper Coupler 1/4" (not shown)
17	4213183	1	-	Copper Coupler 3/8" (not shown)
18	1216006.400	1	1	Delivery Box
19	4212514	1	-	Delivery Box Cover, Smooth Black
20	4212691	1	1	Delivery Box Filler, Left, Smooth Black
21	4212689	1	1	Delivery Box Filler, Smooth Black
22	1216166	-	1	Delivery Evap Cover, Smooth Black
23	4212687	1	1	Diffuser Retainer, White
24	4212854	1	1	Door Latch Lift
25	4212608	1	1	Drain Pan
26	4212746	1	-	Drain Trap
27	7100042.000	-	1	Drain Tube
28	4212343	-	1	Evaporator Air Extension
29	4213088	1	-	Evaporator Air Block
30	4212666	4	4	Extrusion Corner
31	4212547.005	1	-	Extrusion Overlay Bottom, Slotted
32	4212547.001	-	1	Extrusion Overlay Left, CF1000
33	4212547.003	-	1	Extrusion Overlay Low Left, CF1000
34	4212547.004	-	1	Extrusion Overlay Low Right, CF1000
35	4212547.002	-	1	Extrusion Overlay Right, CF1000
36	4212547.006	2	-	Extrusion Overlay Side, FF2000
37	4212547	1	2	Extrusion Overlay Top/Bottom, without Slot
38	4212785	As Reqd	As Reqd	Foam Tape, 1/4x1/4 (FT)
39	4212628	3	-	Freon, R404 (LB, not shown)
40	4212501	1	1	Harness Channel, Smooth Black
41	4212382	1	1	Harness Cover, White
42	4213264	1	1	Harness, Sensor (not shown)
43	4211317	1	1	Harness, Lamp (not shown)
44	4212542	1	-	Harness, Lamp Power (not shown)
45	4212578	-	1	Harness, Lamp Power (not shown)

ITEM	PART NUMBER	QTY	QTY	DESCRIPTION
		X	-	Cabinet Parts FF2000
		-	X	Cabinet Parts CF1000
46	4212535	1	1	Harness, Motor (not shown)
47	4210655.002	1	1	Harness, Temp Sensor, Refrigeration
48	4212575	1	1	Harness, Umbilical (not shown)
49	4212571	1	-	Heater Wire (Trim)
50	4212684	1	1	Hinge Base Cover, Wrinkle Black
51	4215175	2	2	12-18x1 HWH TEK (not shown)
52	4212396	7	7	Hinge Hole Plug
53	7250135.002	8	11	Hole Plug, BPF-1"
54	4212656	As Req'd	-	Insulation Tube, 5/8 ID with Slit (FT) (not shown)
55	4212538	1	1	Insulation, Cab Seal
56	1216167	1	1	Kick Panel Weld, Wrinkle Black
57	4207171	-	2	Lamp Socket
58	4209917	1	-	Lamp, Fluorescent
59	8345956	-	1	Lamp, Fluorescent, F40/D41
60	4210107.002	1	-	Lampholder, Bottom, Subzero
61	4210107.001	1	-	Lampholder, Top, Subzero
62	1216163	1	1	Latch Pin Assembly, Smooth Black
63	1216068	-	1	Light Box Weld, CF1000 White
64	1216169	1	-	Light Box Weld, FF2000 White
65	4212381	1	1	Light Diffuser
66	4212692	1	1	Light Filler, Bottom, Smooth Black
67	4212245	1	-	Line Protector, Wrinkle Black
68	4212548	2	2	Magnet Trim Top/Bottom CF/FF
69	4212548.002	-	2	Magnet Trim, Lower Sides CF1000
70	4212548.003	2	-	Magnet Trim, Sides FF2000
71	4212548.001	-	2	Magnet Trim, Upper Sides CF1000
72	4212752	-	1	Mirrored Plexiglas
73	4212815	1	-	Mirrored Plexiglas
74	4212808	1	1	Mirrored Plexiglas Top
75	4050547	2	-	Nut, 1/4-20 Twin Whiz (not shown)
76	8810015	1	1	Nut, 5/16-18 Flange Lock (not shown)
77	8800955	-	2	Nut, 6-32 Hex with External Lock Washer (not shown)
78	8800956	4	4	Nut, 8-32 Hex with External Lock Washer (not shown)
79	4060134	1	1	Plastic Wire Clamp, 1" (not shown)
80	4212587.001	1	1	Power Cord Bracket
81	4060130	5	5	Press Clip-1/4" (not shown)
82	4212693	-	1	Product Deflector, Left, Smooth Black
83	4212060	1	1	Rail Support Right, Smooth Black
84	4212754	1	1	Rail Support, Left, Smooth Black
85	See page 11	1	1	Relay Box Assembly
86	4212502	1	1	Right Panel Bracket, Smooth Black
87	4205993.003	1	-	Safety Shield, 45-3/4 w/End Caps
88	4050240	2	2	Screw, 8-32x3/8 Phillips Pan Hd MS' (not shown)
89	4212909	14	14	Screw, 1/4-20x1/2 Button Head Torx (not shown)
90	8800638	6	6	Screw, 10-16x3/8 Phillips Pan Head (not shown)
91	8801388	3	3	Screw, 5/16-18x3/4 Hex Washer Hd (not shown)
92	8800060	-	2	Screw, 6-32x3/8 Phillips Pan Head (not shown)

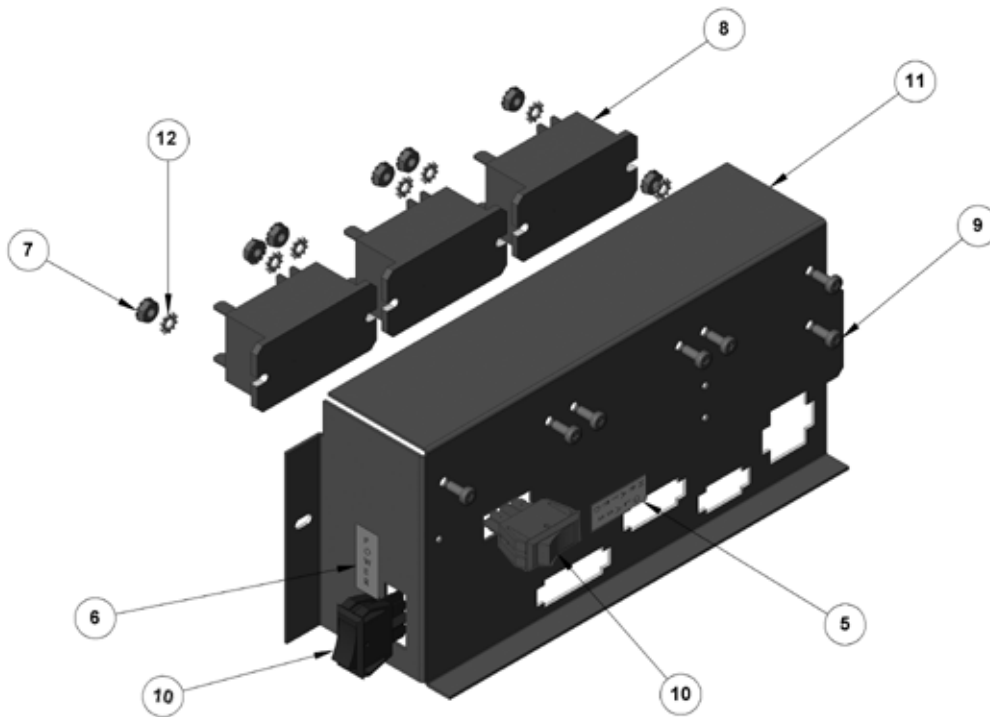
ITEM	PART NUMBER	QTY	QTY	DESCRIPTION
		X	-	Cabinet Parts FF2000
		-	X	Cabinet Parts CF1000
93	4050120	2	-	Screw, 6-32x5/16 Phillips Pan Hd Tek (not shown)
94	4050180	50	50	Screw, 8-18x1/2 Phillips Pan Hd Tek (not shown)
95	4050202	37	29	Screw, 8-18x1/2 Phillips Pan HWH(not shown)
96	4212504	1	1	Seal Hold Down
97	R.3994	As Reqd	As Reqd	Seal, Mastic Permagem (FT, not shown)
98	4212621	1	1	Switch
99	4212649	As Reqd	-	Tape, 2" Aluminum (YD)
100	4212629	As Reqd	As Reqd	Tape, Double Faced 1" (FT)
101	4208565	As Reqd	As Reqd	Tape, Double Sided (FT) (not shown)
102	4212937.016	19	19	Thread Insert,1/4-20
103	4212817	1	-	Top Light Cover, White
104	4025410.500	As Reqd	As Reqd	Tubing, Mayon Raw (FT)
105	4212933	1	1	Umbilical Bracket Cover
106	4212934	1	1	Umbilical Connection Box
107	4212981	1	-	Universal 2-Pin Mating Plug (not shown)
108	4201366	1	1	Warning Tag
109	8330213.001	6	6	Washer, #10 Fender
110	4050585	2	2	Washer, #8 External Tooth Lock (not shown)
111	8801011	3	3	Washer, #8 Flat (not shown)
112	4050767	1	1	Washer, 3/8 Flat Nylon (not shown)
113	4209845	7	7	Protective Window Seal (not shown)

RELAY BOX ASSEMBLY

RELAY BOX ASSEMBLY 1216130.001 CF1000



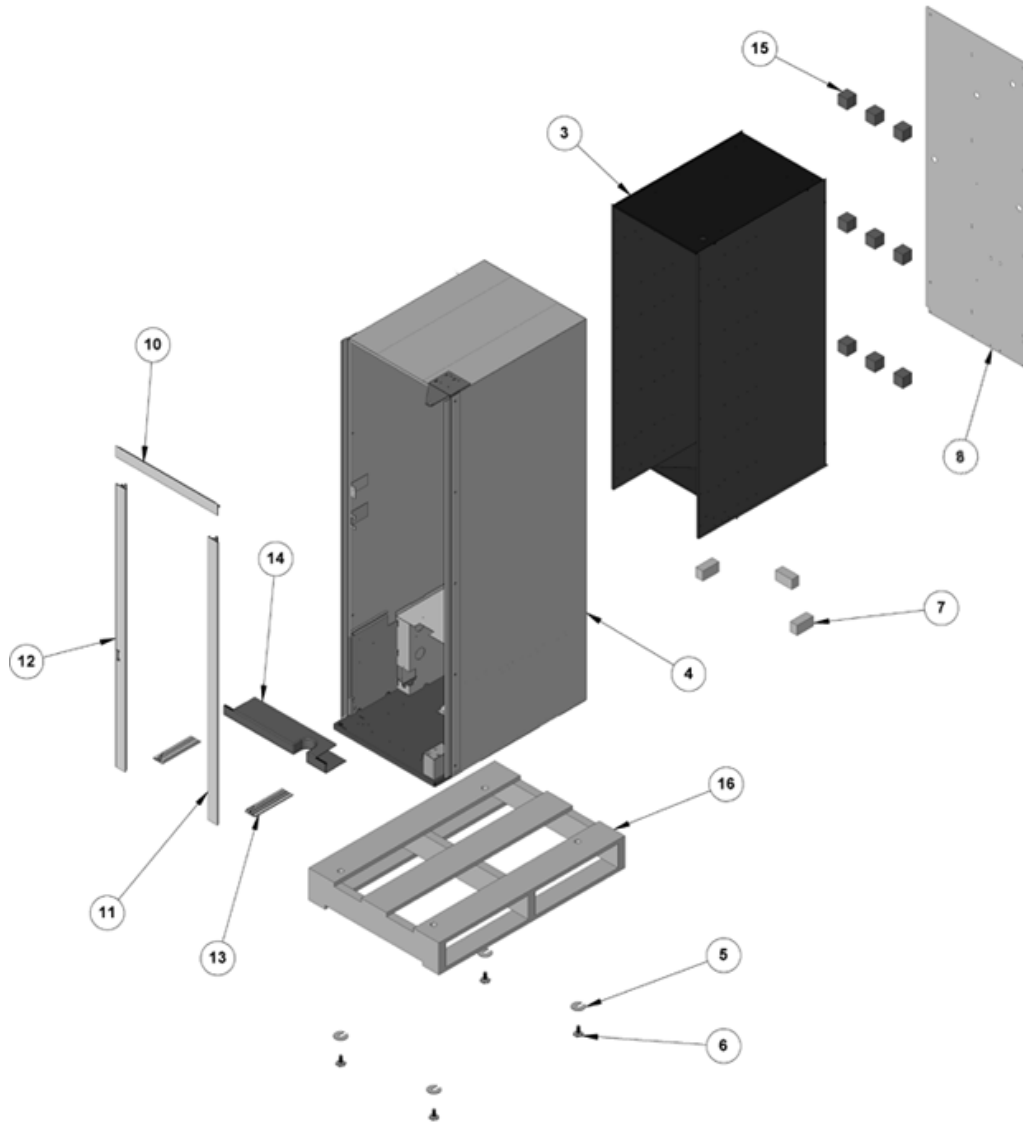
RELAY BOX ASSEMBLY 1216130.002 FF2000



RELAY BOX ASSEMBLY

ITEM	PART NUMBER	QTY	QTY	DESCRIPTION
	1216130.002	X	-	Relay Box Assembly, FF2000
	1216130.001	-	X	Relay Box Assembly, CF1000
1	See page 29	-	1	Ballast Assembly
2	4212537	1	-	Harness, Relay (not shown)
3	4212533	1	1	Harness, Relay Box (not shown)
4	4212536	1	-	Harness, Switch Extension (not shown)
5	4212526	1	-	Label, Heated Glass
6	4212527	1	1	Label, Power
7	8800956	7	3	Nut, 8-32 Hex with External Lock Washer
8	4206643	3	1	Relay DPST 24VAC/DC30A
9	4050240	7	3	Screw, 8-32x3/8 Phillips Pan Head Machine
10	4213908	2	1	DPST-20/100A
11	4212368	1	1	Switch/Relay Box, Smooth Black
12	4050585	7	3	Washer, #8 External Tooth Lock
13	1216357	3	1	Arc Suppressor Snbbr (not shown)

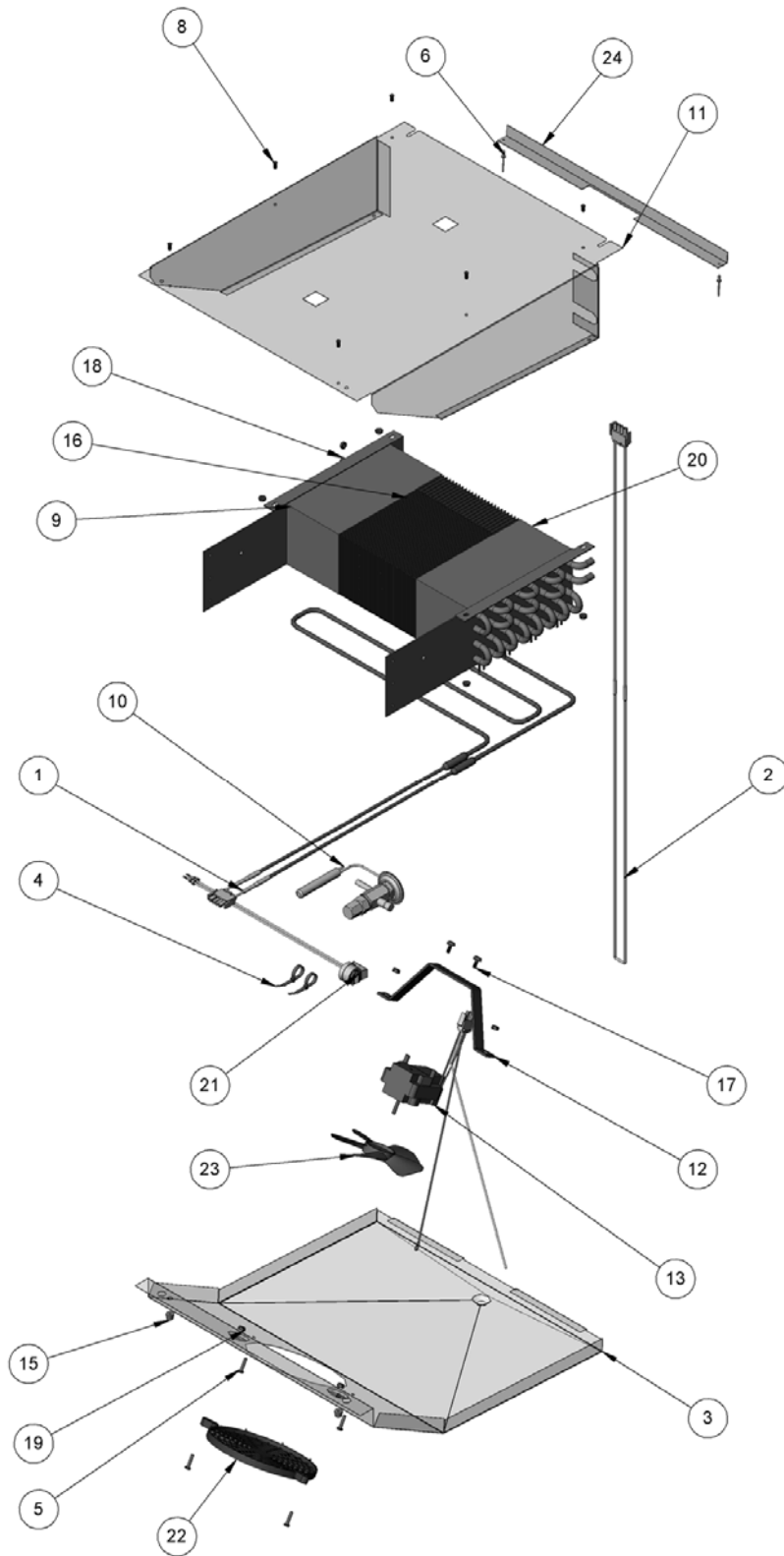
CABINET FOAM ASSEMBLY (CF & FF)



CABINET FOAM ASSEMBLY PARTS

ITEM	PART NUMBER	QTY	DESCRIPTION
	1215832	CF/FF	Cabinet Foam-Assembly CF/FF, Wrinkle Black
1	R.4024	As Reqd	Foam-Component (LB) (not shown)
2	R.4025	As Reqd	Foam-Component (LB) (not shown)
3	1215833	1	Liner Assembly
4	1215860	1	Cabinet Weld, Wrinkle Black
5	4009927	8	5/8 Slotted Leg Leveler Washer
6	4060310	4	Leg Leveler
7	4210138	3	Liner Support
8	4211704	1	Cabinet Back, Wrinkle Black
9	4212066	2	Back Foam Plate (not shown)
10	4212351	1	Top Cab Extrusion
11	4212351.001	1	Right Cab Extrusion
12	4212351.002	1	Left Cab Extrusion
13	4212351.003	2	Bottom Cab Extrusion
14	4212352	1	Cabinet Seal Front
15	4212397	12	Stand Off Block, 2"
16	4212697	1	Pallet, CF1000/FF2000

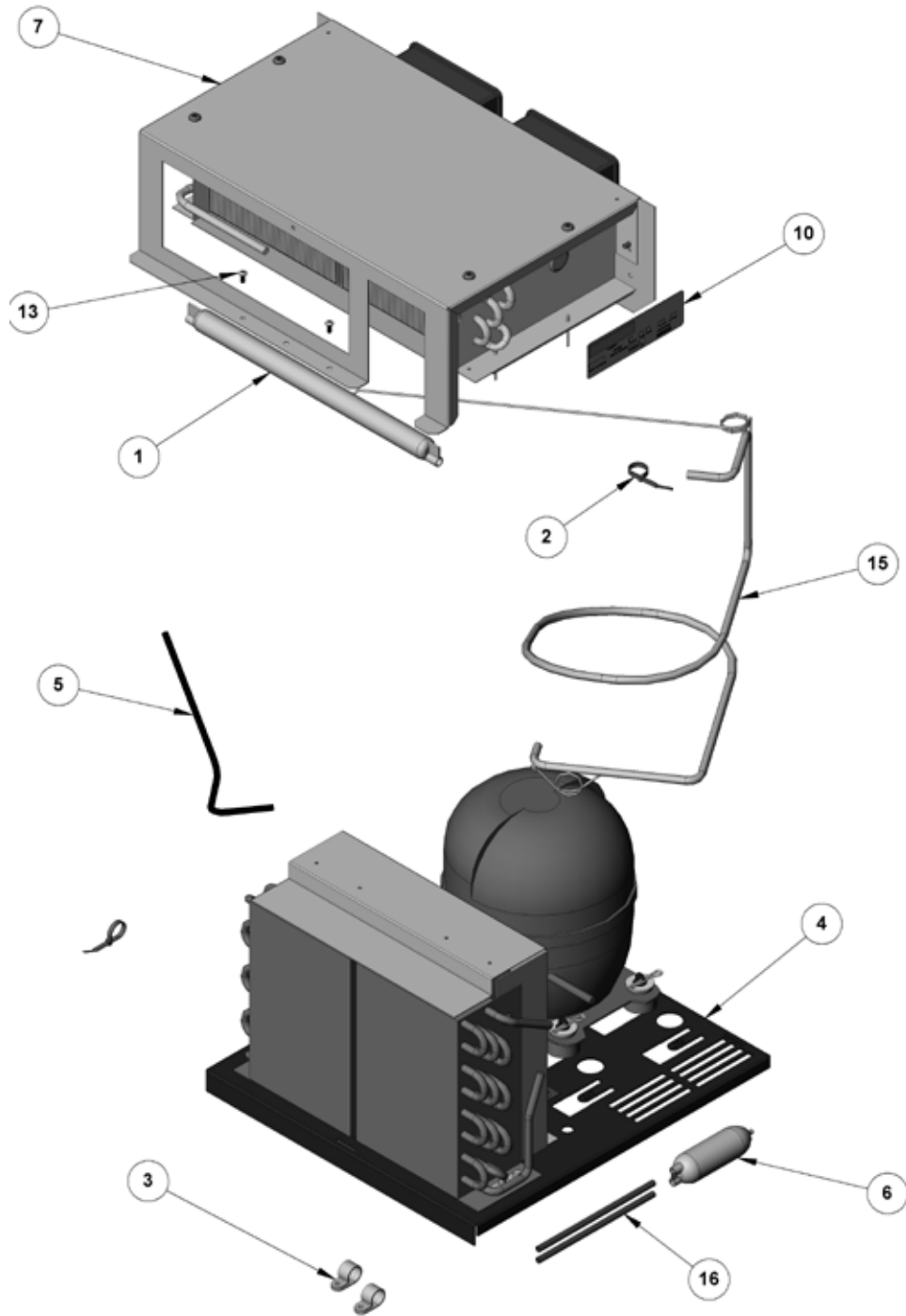
EVAPORATOR ASSEMBLY - FF2000



EVAPORATOR ASSEMBLY PARTS

ITEM	PART NUMBER	QTY	DESCRIPTION
	1216300	1	Evaporator Assembly (FF2000)
1	1216448	1	Evaporator Heater Termination
2	1216449	1	Heater Wire Terminated
3	1216492	1	Evaporator Cover Weld
4	4033712	2	Cable Tie 7 3/8
5	4050262	4	8-32 X 3/4 Philips Pan Head MS
6	4050667.001	2	1/8 x 1/4 Aluminum Pop Rivet
7	4201709	1	Solder-Safe Silver 15% (not shown)
8	4203386.043	6	8-32 x 3/8 CAPT. STUD
9	4210655.002	1	Temperature Sensor (Upper)
10	4211911	1	Expansion Valve
11	4213086	1	Evaporator Mount
12	4213117	1	Fan Bracket
13	4213118	1	Fan Motor Terminated
14	4213506	1	Evaporator/Cabinet Harness (not shown)
15	8330164	2	8-32 Thumb Nut
16	8800060	2	6-32 x 3/8 Philips Pan Head MS
17	8800406	2	10-32 x 1/2 Philips Torx Head W/ETW
18	8800955	2	6-32 Hex Nut W/ETW
19	8800956	8	8-32 Hex Nut W/ETW
20	4213036	1	Evaporator
21	4213038	1	Thermostat Terminated
22	4213119	1	Fan Guard
23	4213120	1	Fan Blade 5.56"
24	4213377	1	Cover Hanger Bracket
25	4213378	1	3/8 Evaporator Outlet Tubing (not shown)
26	4213381	1	Tube Evaporator/Expansion Valve(not shown)
27	4213382	1	Tube Expansion Valve ¼ (not shown)

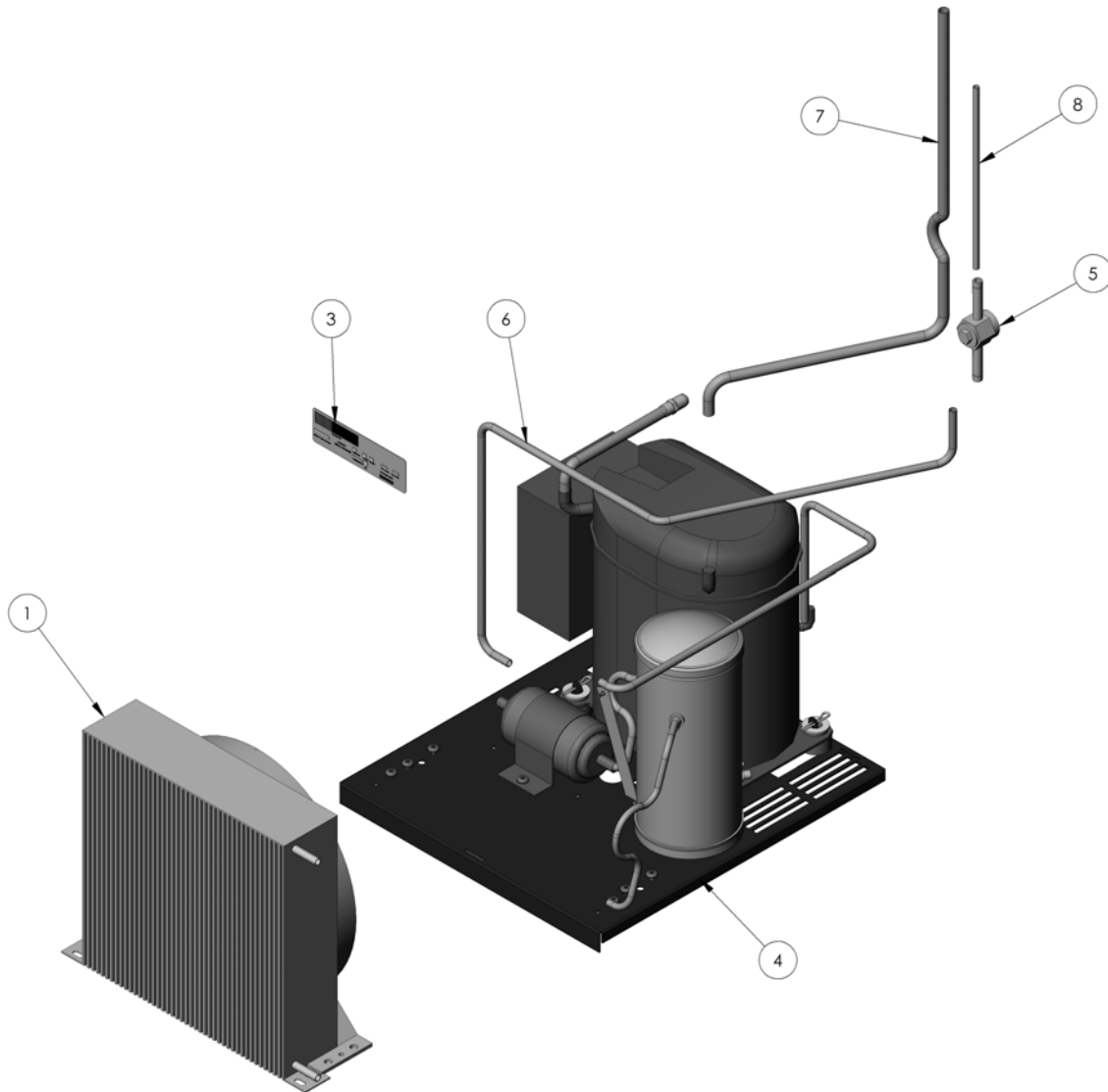
REFRIGERATION ASSEMBLY - CF1000 110V



REFRIGERATION ASSEMBLY PARTS

ITEM	PART NUMBER	QTY	DESCRIPTION
	1216131		Refrigeration Assembly, CF1000 110V
1	4060480.002	1	Accumulator
2	4033712	2	Cable Tie, 7-3/8"
3	8324099.7	2	Clamp, 1/2x5/8
4	1216132	1	Condenser Assembly
5	4208531	1	Discharge Line
6	4205468	1	Drier-Bonded Core
7	1216133	1	Evaporator Assembly
8	4212579	1	Harness, Compressor (not shown)
9	8365271.500	As Req'd	Insulation (FT) (not shown)
10	4205507.513	1	Label, Serial CF1000 110V (not for resale)
11	8800956	2	Nut, 8-32 Hex with External Lock Washer (not shown)
12	4205470	As Req'd	Refrigerant, R-134A (LB) (not shown)
13	4050239	2	Screw, 8-32x3/8 Phillips Pan Head
14	4201709	As Req'd	Solder-Safe Silver 15% (OZ) (not shown)
15	1214434	1	Suction Line Assembly
16	8801180.003	2	Tubing, 1/4 Copper, 6"

REFRIGERATION BASE ASSEMBLY - FF2000 110V



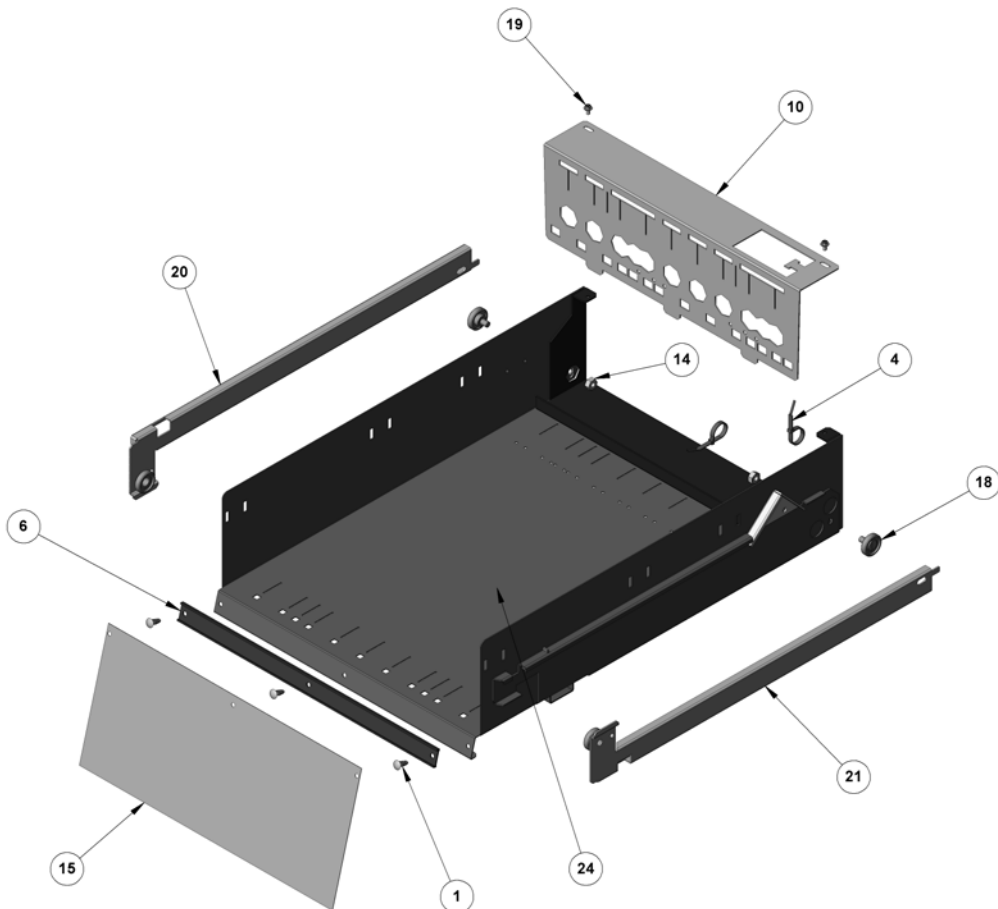
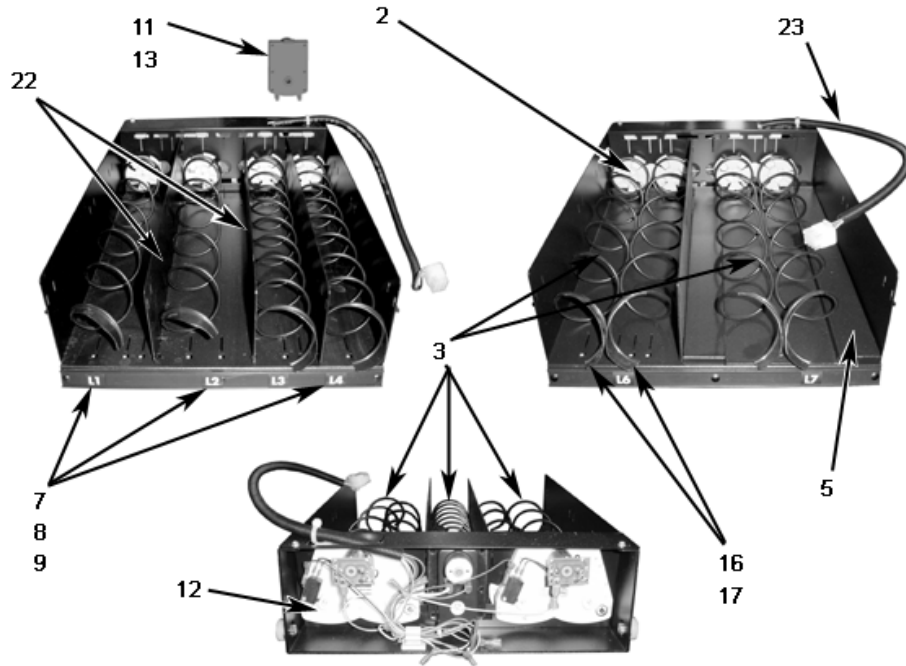
ITEM	PART NUMBER	QTY	DESCRIPTION
	1216409.001	1	Refrigeration Base Assembly, FF2000 110V
1	1216775	1	Fan Assembly
2	4213409	1	Harness, Compressor (not shown)
3	4205507.405	1	Refer Label (Not for Sale)
4	1216320.001	1	Refrigeration Base Assembly
5	4213044	1	Sight Glass Refer
6	4212101	1	Tube, Dryer/Sight-Glass
7	4212102	1	Tube, Compressor/Evaporator
8	4212939	1	Tube, Sight-Glass/Evaporator

SERVICE PACKAGE

A11262 (no illustration)

ITEM	PART NUMBER	QTY	DESCRIPTION
	1216135	1	Service Package, CF1000/FF2000
1	4200052	2	Decal, Price 0.10 - 1.50
2	4020697	1	Envelope, Service Manual
3	4212660	1	Harness Adapter, CF/FF
4	4213031	1	Instructions, Tie Plate Installation
5	4215518.002	1	IVA Membership Form
6	4203793.001	.375	Label, Dollar \$1
7	4203793.002	.375	Label, Dollar \$2
8	4206816	1	Manual, Safety
9	4211906	1	Manual, Service CF/FF
10	4050202	4	Screw, 8-18x1/2 Phillips Hex Washer Head
11	4202750	1	Warranty Card

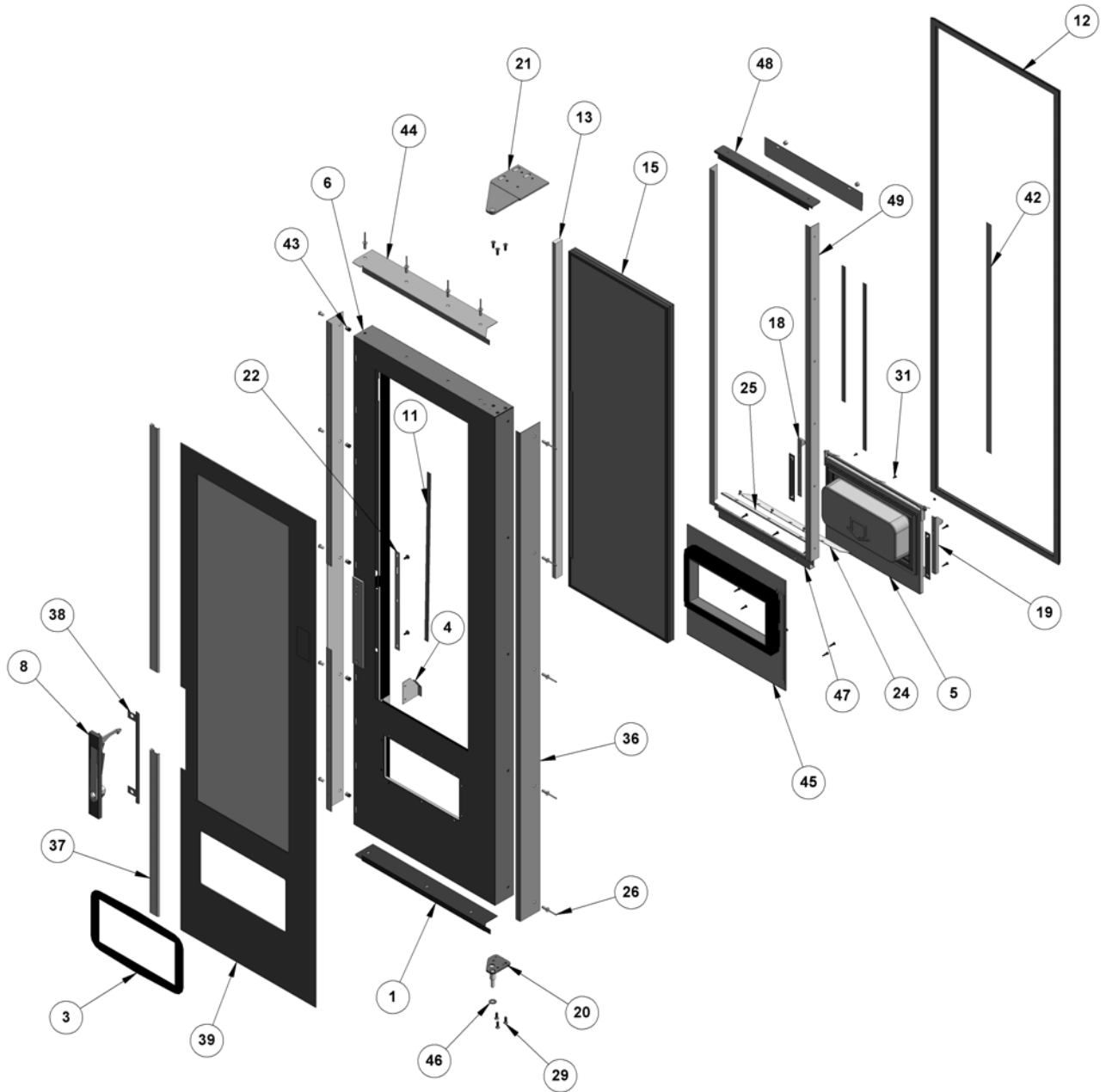
TRAY PARTS



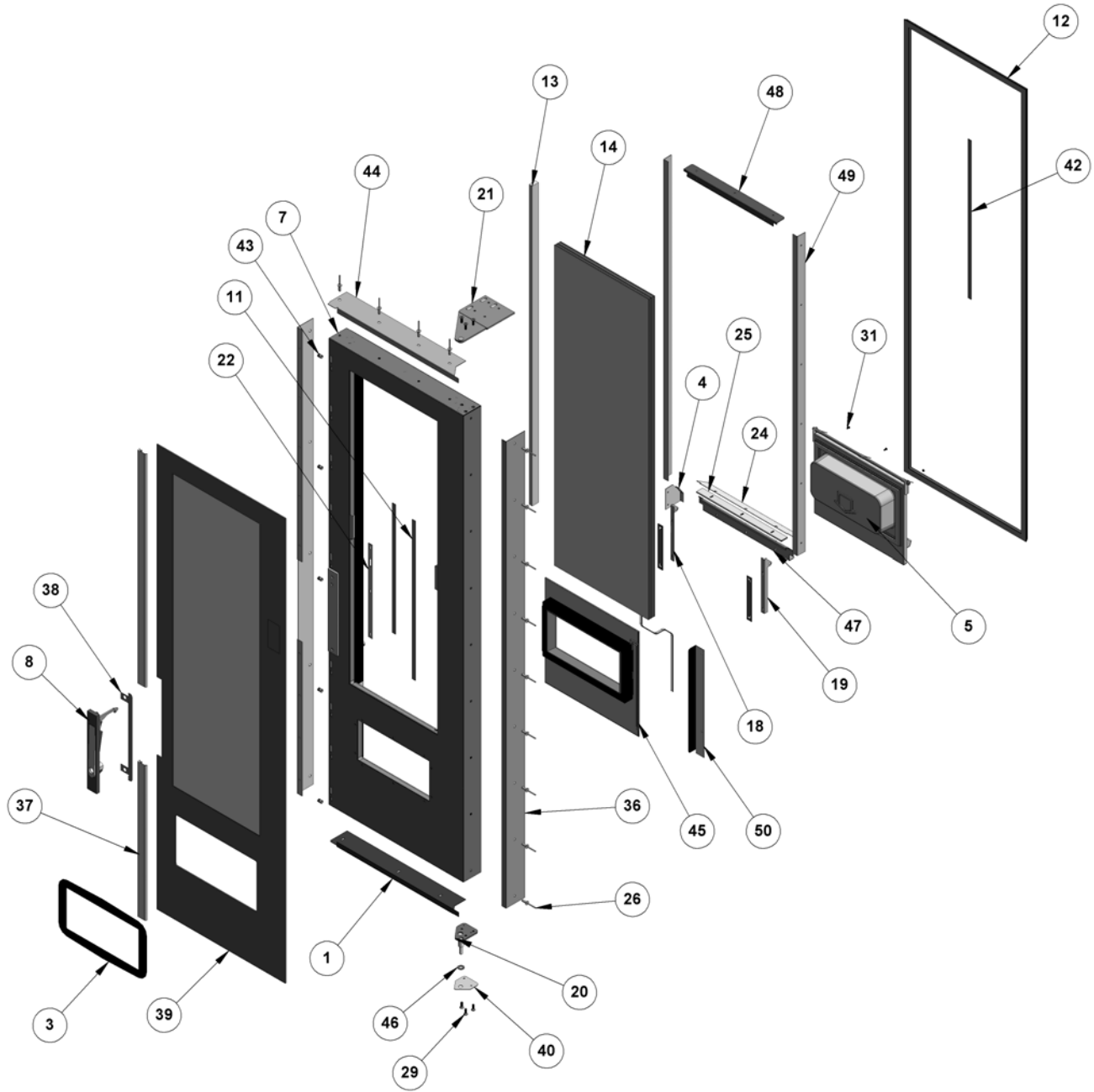
TRAY PARTS

ITEM	PART NUMBER	QTY	QTY	DESCRIPTION
	1216036	X	-	PH-FF TRAY CFG #1259 (2625)
	1215879	-	X	PH-2616 COLD FOOD 1237CFG
1	4205329	3	3	Arrow Clip
2	4209502	As Reqd	As Reqd	Auger Coupling, Gray (not shown)
3	4200272.113	As Reqd	As Reqd	Auger, 11 Candy, Short, Smooth Black (not shown)
3	4211397.023	As Reqd	As Reqd	Auger, 5ct Candy, CCW Smooth Black (not shown)
3	4211398.023	-	As Reqd	Auger, 5ct Dual, CW Smooth Black (not shown)
3	4211397.014	As Reqd	-	Auger, 5ct Snack, Smooth Black (not shown)
3	4211397.001	As Reqd	-	Auger, 8ct Candy, CCW Smooth Black (not shown)
4	4033712	2	2	Cable Tie, 7-3/8"
5	4207903	-	As Reqd	Dual Helix Retainer, Wrinkle Black (not shown)
6	4207945.001	1	1	Label Holder, CF1000, Black
7	4207851.001	.125	.125	Label, "H" Selection (not shown)
8	4207851.002	.125	.125	Label, "J" Selection (not shown)
9	4207851.003	.125	.125	Label, "L" Selection (not shown)
10	4212580	1	1	Motor Back, CF1000, Smooth Black
11	4212380	As Reqd	-	Motor, Snap-In Single, Low Temp (For FF2000) (not shown)
12	4210392	-	As Reqd	Motor, Snap-In Dual, Coinco (For CF1000 Only) (not shown)
13	4209663	-	As Reqd	Motor, Snap-In Single, Coinco (For CF1000 Only) (not shown)
14	4050496	2	2	Nut, 1/4-20 Two Way Lock
15	4212586	As Reqd	-	Product Deflector
16	4025748	As Reqd	As Reqd	Product Ejector, CCW-Black (not shown)
17	4025748.002	-	As Reqd	Product Ejector, CW-Black (not shown)
18	4060670.001	2	2	Roller
19	4050420	As Reqd		Screw, 8-18x1/4 Phillips Hex Washer Head
20	1200321.006	1	1	Side Rail Rivet Assembly, Left
21	1200321.007	1	1	Side Rail Rivet Assembly, Right
22	4209261.002	As Reqd	As Reqd	Tray Divider, Wrinkle Black CRS CF/FF (not shown)
23	4203508.003	1	1	Tray Harness, 3 Wide (not shown)
24	1214751	1	1	Tray Weld, Wrinkle Black

DOOR PARTS - CF1000



DOOR PARTS - FF1000

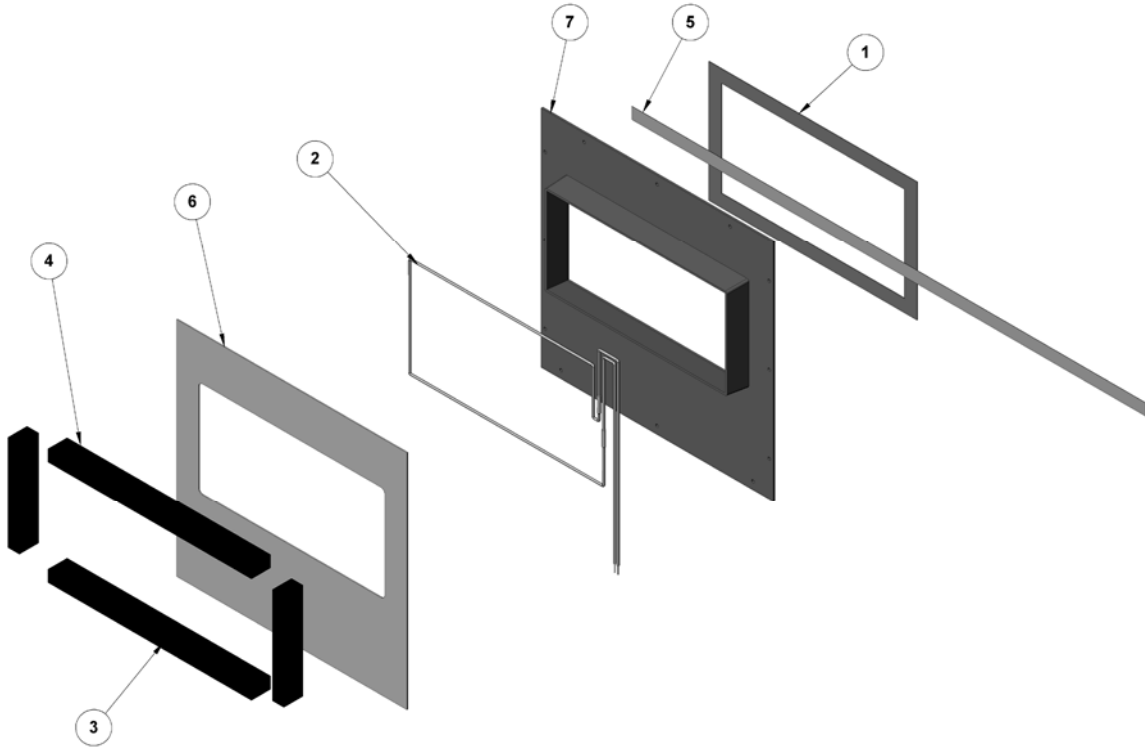


DOOR PARTS

ITEM	PART NUMBER	QTY	QTY	DESCRIPTION
		X	-	Door Parts, FF2000
		-	X	Door Parts, CF1000
1	4212087	1	1	Bottom Sign Retainer, Wrinkle Black
2	4212080	1	1	Bottom Hinge (not shown)
3	1215522	1	1	Delivery Bezel, CF/FF, Wrinkle Black
4	4212688	1	1	Delivery Cover, Smooth Black
5	1216143	1	1	Delivery Door Assembly
6	1216247	-	1	Door Foam Assembly, CF1000/FF2000
7	1216247.001	1	-	Door Foam Assembly, Heated FF2000
8	4212651.001	1	1	Door Handle Assembly, Black
9	4033652.500	As Reqd	-	Extruded Grmt Feet (not shown)
10	4060006.500	3	3	Foam, 1/4"x1/2" (FT) (not shown)
11	4209845	As Reqd	As Reqd	Gasket Seal, Protective Window (FT)
12	4212550	1	1	Gasket, Door Magnet
13	4212681	As Reqd	As Reqd	Gasket, Foam 3/8x1 (FT)
14	4210104	1	-	Glass, Heated Tri-Pane
15	4212366	-	1	Glass, Tri-Pane
16	1211465.002	1	-	Harness, 16" Ground Wire (not shown)
17	4212577	1	-	Harness, Door Power (not shown)
18	4212616.002	1	1	Hinge Bracket, Plated Left
19	4212616.001	1	1	Hinge Bracket, Plated Right
20	1215975	1	1	Hinge Weld, Bottom, Wrinkle Black
21	1215974	1	1	Hinge Weld, Top, Wrinkle Black
22	4212741	1	1	Latch Overlay, Smooth Black
23	8038421	1	1	Patent Label (not shown)
24	4212759	1	1	Product Deflector
25	4212840	1	1	Product Deflector Overlay, Smooth Black
26	4210421.002	9	9	Rivet, 1/4" Black
27	4212505	12	12	Screw, #8-3/4 Phillips Pan Head Tek (not shown)
28	4212909	5	5	Screw, 1/4-20x1/2 Button Head Torx (not shown)
29	4212089	6	6	Screw, 1/4-20x3/4 Socket Flat Csnk Head
30	8800406	2	2	Screw, 10-32x1/2 Phillips Truss Head Washer (not shown)
31	4050180	50	50	Screw, 8-18x1/2 Phillips Pan Head Tek
32	4050423	3	3	Screw, 8-18x3/8 Phillips Hex Washer Head (not shown)
33	8800090	2	-	Screw, 8-32x1/4 Phillips Pan Head (not shown)
34	8330164	2	2	8-32 Thumb Nut Brass (not shown)
35	R.3994	As Reqd	As Reqd	Seal, Mastic Permagum (FT) (not shown)
36	4212868	1	1	Side Lexan Retainer, Wrinkle Black
37	1216257	1	1	Side Trim Assembly
38	4212682	1	1	Signface Cover, Wrinkle Black
39	4212832	1	1	Side Trim Retainer
40	4212217	1	-	Strain Relief Retainer, Smooth Black
41	4212606	1	-	Strain Relief, Right Angle (not shown)
42	4208565	As Reqd	As Reqd	Tape, Double Sided (FT)
43	4212937.016	5	5	Thread Insert, 1/4-20
44	4212125	1	1	Top Sign Retainer, Wrinkle Black
45	See page 27	1	1	Transition Assembly CF/FF
46	4050767	1	1	Washer, 3/8 Flat Nylon

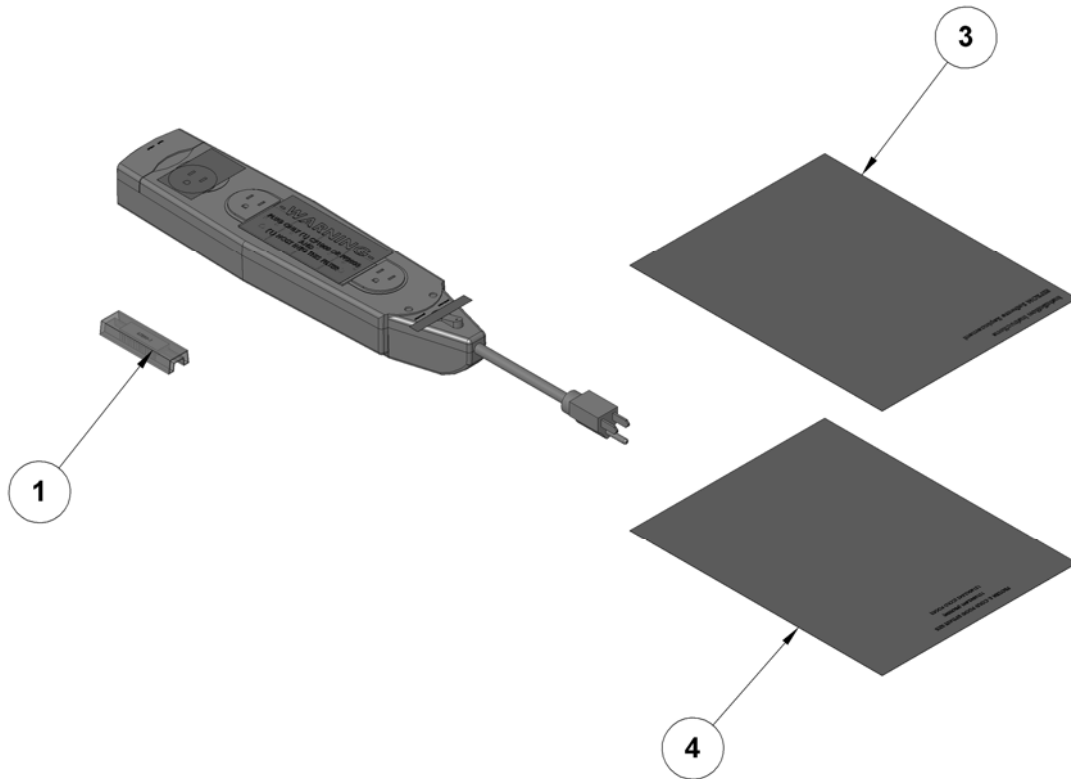
47	4212422	1	1	Window Retainer, Bottom, Smooth Black
48	4212271	1	1	Window Retainer, Smooth Black
49	4212423	2	2	Window Retainer, Vertical, Smooth Black
50	4212623	1	-	Wire Cover, Smooth Black

TRANSITION ASSEMBLY



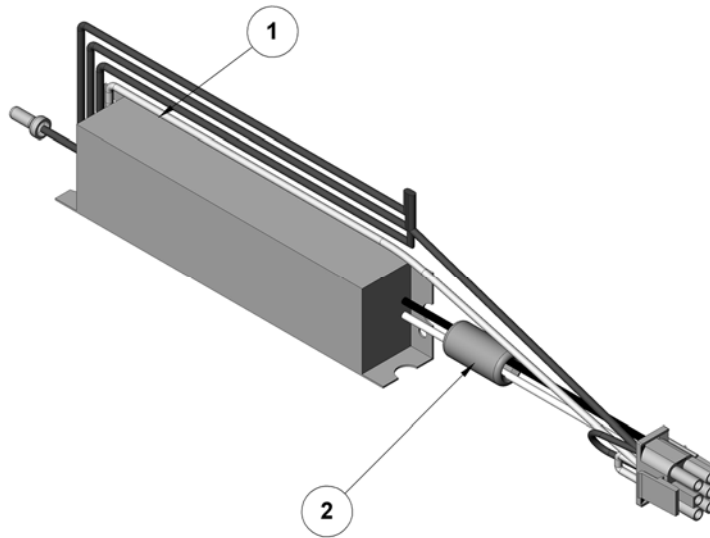
ITEM	PART NUMBER	QTY	QTY	DESCRIPTION
	1216155.001	X	-	Transition Assembly FF 2000
	1216155	-	X	Transition Assembly CF 1000
1	4212388	1	1	Gasket Plate, Smooth Black
2	4212576	1	-	Heater Wire, Delivery Door
3	4212650.001	2	2	Tape, 3/4x1-1/4 EPDM
4	4212650.002	2	2	Tape, 3/4x1-1/4 EPDM
5	4208565	As Reqd	As Reqd	Tape, Double Sided 0.72 wide (FT)
6	4212776	1	1	Transition Gasket
7	4212374	1	1	Transition Port

FILTER LABEL ASSEMBLY



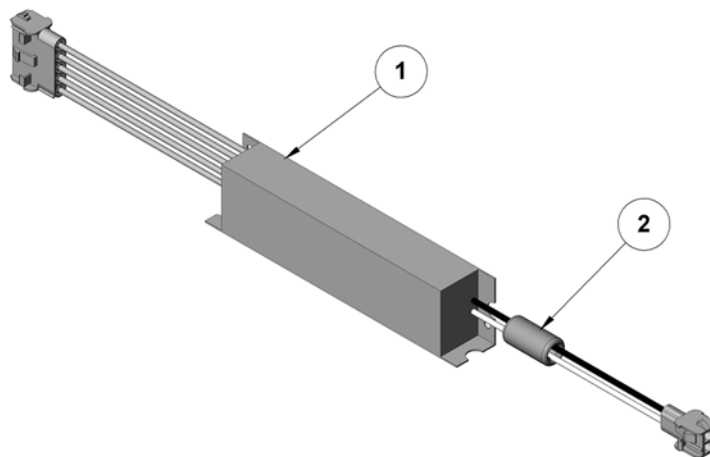
ITEM	PART NUMBER	QTY	QTY	DESCRIPTION
	1216292.400	1	-	Filter Label Assembly, FF2000
	1216292.401	-	1	Filter Label Assembly, CF1000
1	4209893.209	1	-	Eprom, 67209-1 (SM6 Control) FF2000
	4209893.210	-	1	Eprom, 67210-1 (SM6 Control) CF1000
2	4213628	1	1	Fair-Rite Bead Snap Fit (not shown)
3	4211561	1	1	Instructions, EEPROM Replacement
4	4213071	1	1	Instructions, Surge/EMI/RFI & Eprom Installation

TERMINATED BALLAST ASSEMBLY FF



ITEM	PART NUMBER	QTY	DESCRIPTION
	1216399.001	1	Terminated Ballast Assembly (FF 2000)
1	4213320	1	Ballast WH33/L 120V
2	4202801.001	1	Shield Bead-Ferrite

BALLAST ASSEMBLY CF



ITEM	PART NUMBER	QTY	DESCRIPTION
1	4203625	1	Ballast Assembly (CF1000)
2	4202801	1	Shield Bead

NOTES

The contents of this publication are presented for informational purposes only, and while every effort has been made to ensure their accuracy, they are not to be construed as warranties or guarantees, express or implied, regarding the products or services described herein or their use or applicability. We reserve the right to modify or improve the designs or specifications of such products at any time without notice.



VendNet™
165 North 10th Street
Waukee, Iowa 50263
United States of America



	USA & Canada	International
Service	(800) 833-4411	(515) 274-3641
Parts	(888) 259-9965	
Email	vendnet@vendnetusa.com	
Web Site	www.vendnetusa.com	

4213107A.DOC