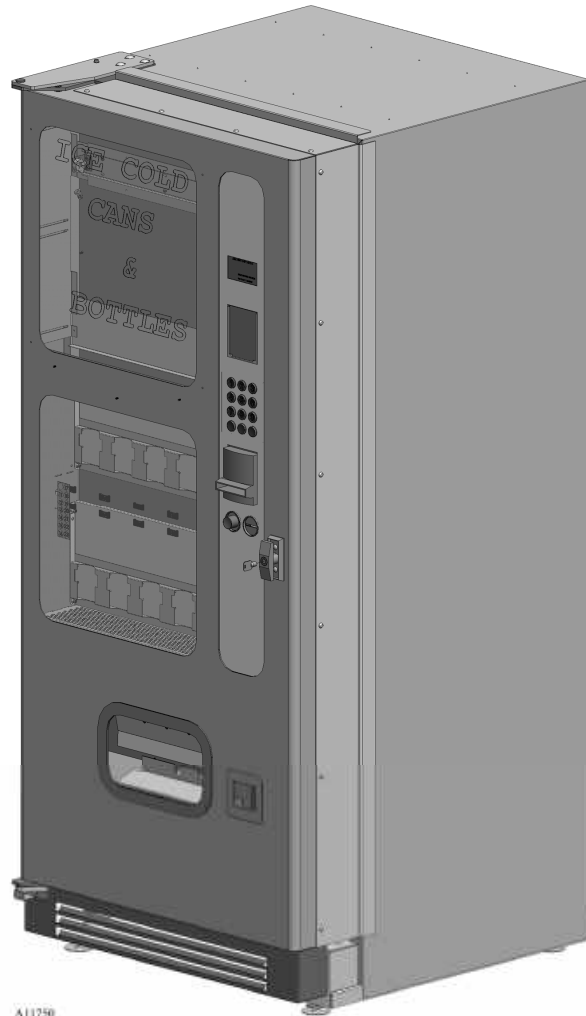


CB-500

3500•3500A•3539

PARTS MANUAL



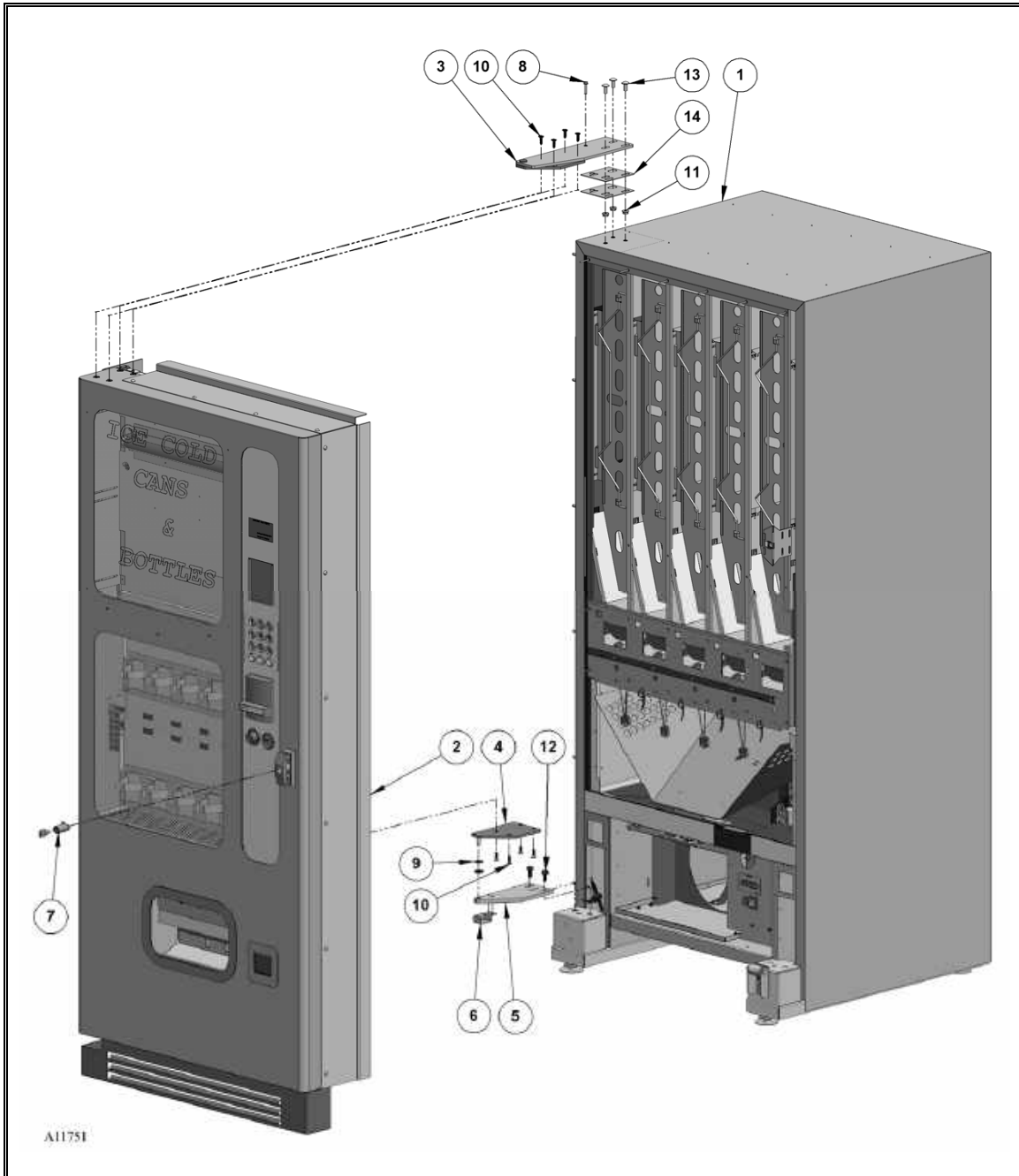
A11750

VendNet™
165 North 10th Street
Waukee, IOWA 50263-0488
United States of America

TABLE OF CONTENTS

FINAL ASSEMBLY	1
<i>FINAL ASSEMBLY PARTS LIST</i>	<i>2</i>
DOOR ASSEMBLY (3500)	3
<i>DOOR ASSEMBLY PARTS LIST (3500)</i>	<i>4</i>
DOOR ASSEMBLY (3500A).....	6
<i>DOOR ASSEMBLY PARTS LIST (3500A)</i>	<i>7</i>
DOOR ASSEMBLY (3539)	9
<i>DOOR ASSEMBLY PARTS LIST (3539)</i>	<i>10</i>
INNER DOOR ASSEMBLY.....	12
<i>INNER DOOR ASSEMBLY PARTS LIST</i>	<i>12</i>
INNER DOOR FOAM ASSEMBLY	13
<i>INNER DOOR FOAM ASSEMBLY PARTS LIST</i>	<i>13</i>
PRODUCT DISPLAY ASSEMBLY	14
<i>PRODUCT DISPLAY ASSEMBLY PARTS LIST</i>	<i>14</i>
PRODUCT DOOR RIVET ASSEMBLY	15
<i>PRODUCT DOOR RIVET ASSEMBLY PARTS LIST</i>	<i>15</i>
LAMP ASSEMBLY (3500 & 3500A).....	16
<i>LAMP ASSEMBLY (3500 & 3500A) PARTS LIST</i>	<i>16</i>
TERMINATED BALLAST ASSEMBLY (3500).....	17
<i>TERMINATED BALLAST ASSEMBLY (3500) PARTS LIST</i>	<i>17</i>
CABINET ASSEMBLY.....	18
<i>CABINET ASSEMBLY PARTS LIST</i>	<i>19</i>
CABINET FOAM ASSEMBLY	21
<i>CABINET FOAM ASSEMBLY PARTS LIST</i>	<i>21</i>
VEND STACK ASSEMBLY	22
<i>VEND STACK ASSEMBLY PARTS LIST</i>	<i>23</i>
VEND MECH ASSEMBLY	24
<i>VEND MECH ASSEMBLY PARTS LIST</i>	<i>24</i>
PRODUCT RETAINER ASSEMBLY	24
<i>PRODUCT RETAINER ASSEMBLY PARTS LIST</i>	<i>24</i>
POWER PANEL ASSEMBLY	25
<i>POWER PANEL ASSEMBLY PARTS LIST</i>	<i>25</i>
HOPPER ASSEMBLY	26
<i>HOPPER ASSEMBLY PARTS LIST</i>	<i>26</i>
AIR DUCT ASSEMBLY	26
<i>AIR DUCT ASSEMBLY PARTS LIST</i>	<i>26</i>
EVAPORATOR FAN ASSEMBLY.....	27
<i>EVAPORATOR FAN ASSEMBLY PARTS LIST</i>	<i>27</i>
EVAPORATOR CARD ASSEMBLY.....	28
<i>EVAPORATOR CARD ASSEMBLY PARTS LIST</i>	<i>28</i>

FINAL ASSEMBLY



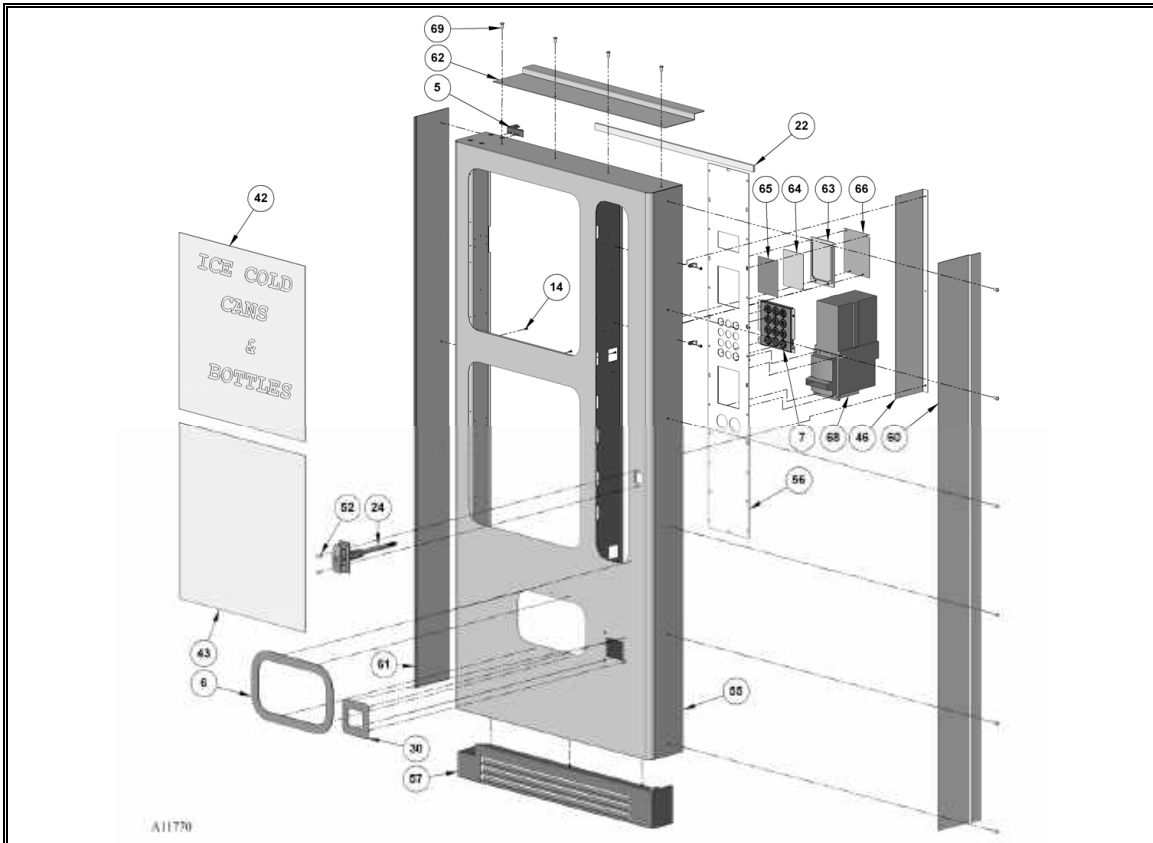
FINAL ASSEMBLY PARTS LIST

ITEM NO	PART NUMBER	3500	3500A	3539	DESCRIPTION
1	SEE PAGE #18	1	1	1	CABINET ASSEMBLY
2	SEE PAGE #3	1	1	1	DOOR ASSEMBLY
3	1216682	1	1	1	TOP HINGE STAKE ASSEMBLY
4	1216683	1	1	1	BOTTOM PIVOT PLATE WELD
5	4214202	1	1	1	BOTTOM HINGE PLATE / BLACK
6	4214283	1	1	1	BOTTOM HINGE PIN COVER/BLACK
7	1212652	1	1	1	LOCK INSTALL
8	4215175	1	1	1	12-18 X 1 HWH TEK
9	4050767	2	2	2	3/8 FLAT WASHER-NYLON BLACK
10	4212089	8	8	8	1/4-20X3/4 SOCKET FLAT COUNTERSUNK
11	8810015	3	3	3	5/16-18 FLANGE LOCK NUT
12	8801388	2	2	2	5/16-18X3/4 HWH TYPE
13	4050099	3	3	3	5/16-18 X 3/4 CARRIAGE BOLT
14	4211489	2	2	2	HINGE SPACER PLATE/BLACK

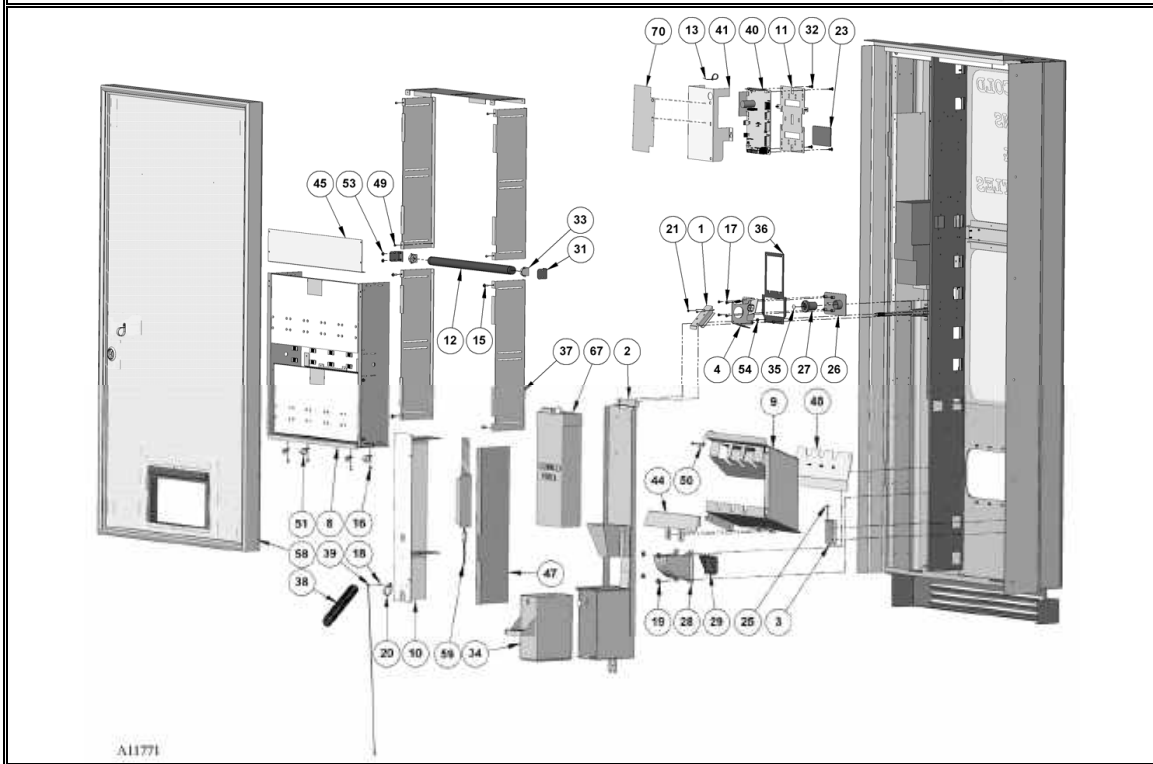
LIST OF PARTS NOT SHOWN

15	4216016	1	-	1	GFCI POWER CORD
	4212825.001	-	1	-	POWER CORD UK

DOOR ASSEMBLY (3500)



A11770



A11771

DOOR ASSEMBLY PARTS LIST (3500)

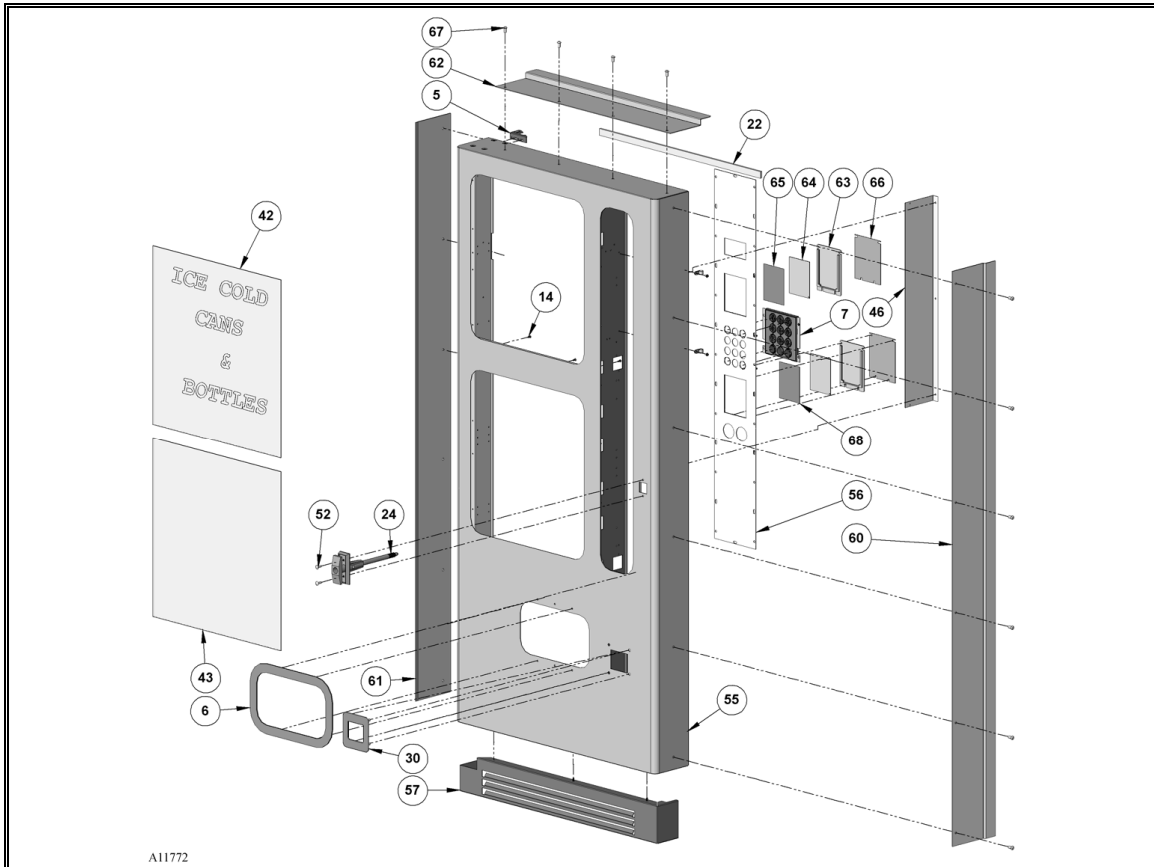
ITEM NO	PART NUMBER	3500	DESCRIPTION
1	1212097	1	COIN CHUTE-WELD
2	1215072	1	MECH MOUNT RIVET ASSEMBLY
3	1215317	1	HINGE INNER BOTTOM WELD
4	1216187	1	COIN RETURN LEVER MECHANISM
5	1216419	1	INNER DOOR TOP HINGE WELD
6	1216619	1	DELIVERY BEZEL WELD W/STUD COVER
7	1216670	1	KEYPAD ASSEMBLY
8	SEE PAGE #14	1	PRODUCT DISPLAY ASSEMBLY
9	1216726	1	DELIVERY BOX WELD/BLACK
10	1216804	1	BALLAST COVER WELD/BLACK
11	1217024	1	BOARD MOUNT STAKE/BLACK
12	4033549	1	LAMP - F15T8/CW/18"
13	4033712	8	CABLE TIE 7 3/8"
14	4050180	3	8-18X1/2 PHIL PH TEK
15	4050202	50	8-18X1/2 PHIL HWH TEK
16	4050420	20	8-18X1/4 PHIL HWH TY-A
17	4050423	8	8-18X3/8 PHIL PH TY-A
18	4050585	4	#8 EXT TOOTH LOCKWASHER
19	4050747	4	1/4 STAMPED HEX NUT
20	4060134	3	PLASTIC WIRE CLAMP 1"
21	4201942	2	6-20X3/16 PHL PH TY-B
22	4202255	3	GASKET 1/4X3/4 W/ADHENSIVE
23	4202841.017	1	READOUT WINDOW/BLUE/ENGLISH
24	4202927.007	1	T-HANDLE LATCH
25	4203029	1	WASHER-INNER DOOR
26	4203186.XXX	1	COIN INSERT BLACK (SPECIFY COIN SIZE)
27	4203187	1	COIN RETURN BUTTON/BLACK
28	4203207	1	COIN CUP/BLACK
29	4203208	1	COIN CUP DOOR/BLACK
30	4203209	1	COIN CUP BEZEL/BLACK
31	4203462.002	2	LAMP HOLDER MOUNT
32	4206879	4	BOARD STANDOFF-3/8"
33	4207171	2	LAMP SOCKET
34	4208890	1	COIN BOX - PLASTIC
35	4209188	1	SNAP PIN
36	4210954	1	INSERT MOUNT/BLACK
37	4213619	5	SIGN HOLDER
38	4213795	1	CONVOLUTED TUBING
39	4213796	1	GROUNDING STRIP, 20"
40	4213952	1	CONTROL BOARD GVC1 / BLUE
41	4213961	1	CONTROL BOARD COVER/BLACK
42	4214366.001	1	DISPLAY WINDOW/CB500
43	4214366	1	CAN ICE/CB500
44	4214384	1	BOTTOM ANTI-CHEAT/BLACK
45	4214590	1	BOTTOM ANTI-CHEAT/BLACK
46	4214739	1	WIRE COVER DOOR/BLACK
47	4214823	1	HARNESS COVER PLATE/BLACK
48	4216433.001	1	DELIVERY ANTI-CHEAT FRONT
49	7200468.005	4	6-18X1/4 PHIL TH TY-A

50	8324099.4	11	CLAMP - 3/8 X 3/8
51	8324099.7	2	CLAMP - 1/2 X 5/8
52	8356103.004	2	10-24X5/8 CARRIAGE BOLT
53	8800956	44	8-32 HEX NUT W/ETW
54	8800957	2	10-24 HEX NUT W/ETW
55	1216608	1	DOOR WELD
56	1216635	1	CONTROL PANEL WELD/SILVER
57	1216685	1	KICK PANEL W/STUD COVERS
58	SEE PAGE #12	1	INNER DOOR ASSEMBLY
59	SEE PAGE #17	1	TERMINATED BALLAST ASSEMBLY
60	4214209	1	DOOR SIDE ANTI-CHEAT/BLACK
61	4213487	1	ANTI CHEAT LEFT/FWN BLACK
62	4214698	1	TOP ANTI-CHEAT/BLACK
63	4209639	1	VALIDATOR FILLER
64	4209656.001	1	POP PLATE/BLACK
65	4210396.007	1	FILLER DECAL-ENGLISH INSTALLATION
66	4201907.001	1	VALIDATOR PLATE-WRINKLE
67	OPTIONAL	1	COIN MECHANISM
68	OPTIONAL	1	BILL VALIDATOR
69	4212909	16	1/4-20 X 1/2 BUTTON HEAD
70	4214688	1	SERVICE MODE LABEL

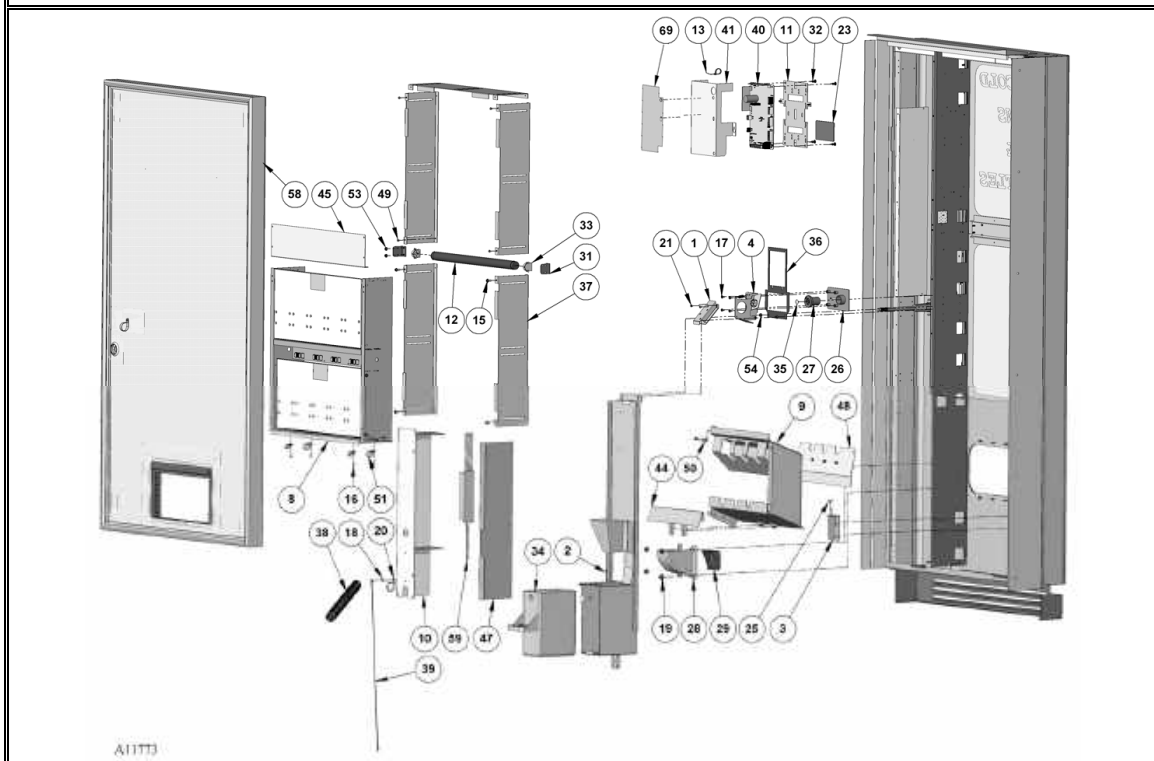
LIST OF PARTS NOT SHOWN

71	4213373	1	LAMP HARNESS (110V)
72	4214275	1	DOOR HARNESS
73	4214728	1	SENSOR/RELAY HARNESS
74	4215471	1	MDB CABLE/GVC1
75	4216099	1	KEYPAD CABLE

DOOR ASSEMBLY (3500A)



A11772



A11773

DOOR ASSEMBLY PARTS LIST (3500A)

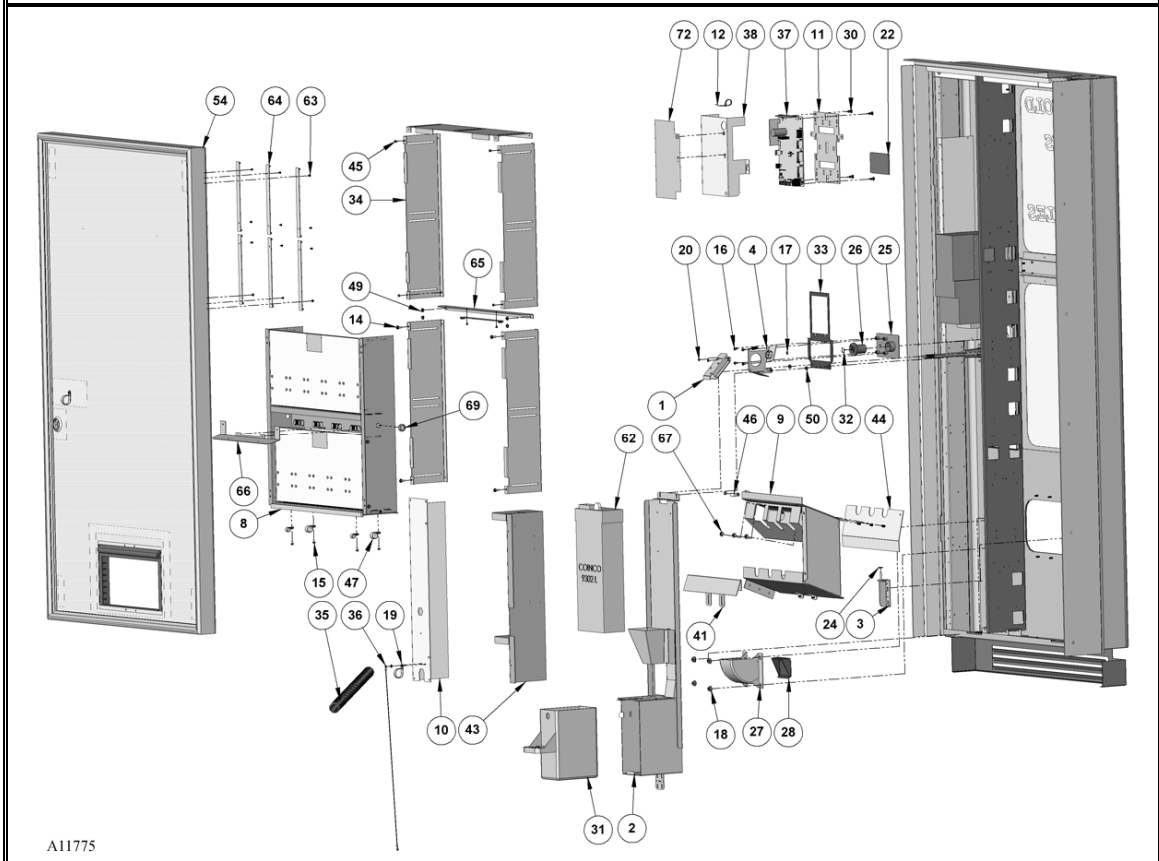
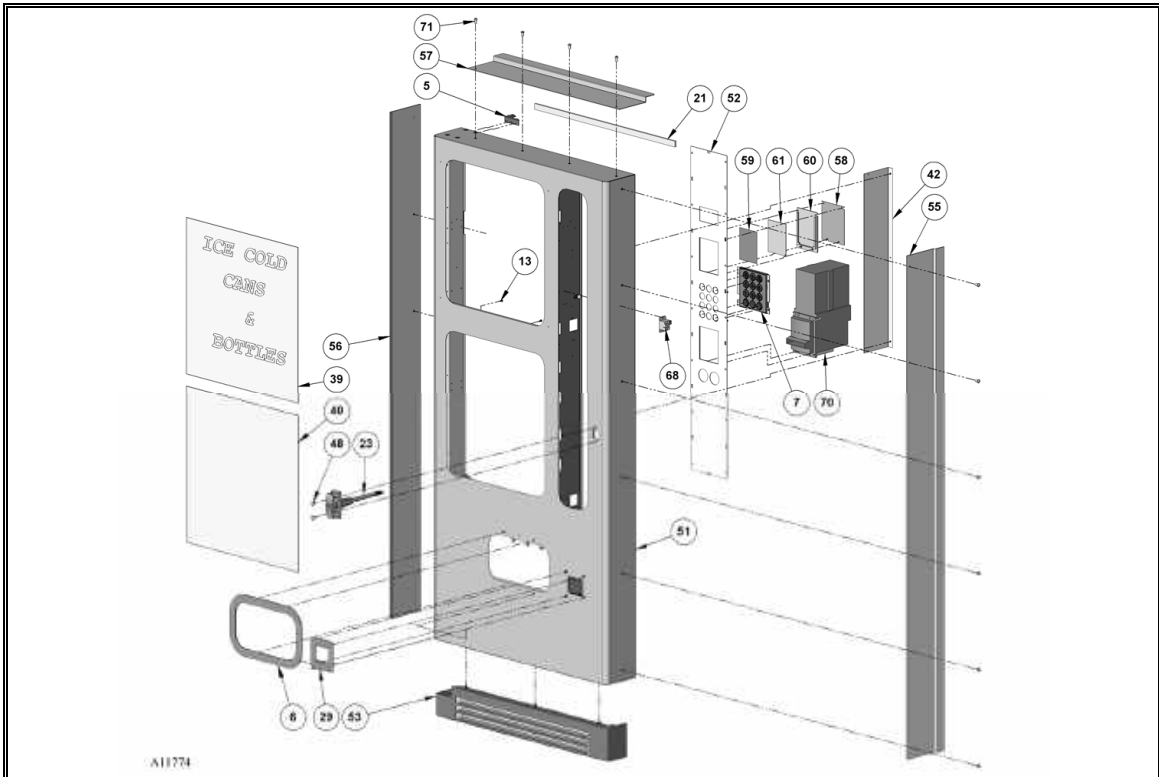
ITEM NO	PART NUMBER	3500A	DESCRIPTION
1	1212097	1	COIN CHUTE-WELD
2	1215072	1	MECH MOUNT RIVET ASSEMBLY
3	1215317	1	HINGE INNER BOTTOM WELD
4	1216187	1	COIN RETURN LEVER MECHANISM
5	1216419	1	INNER DOOR TOP HINGE WELD
6	1216619	1	DELIVERY BEZEL WELD W/STUD COVER
7	1216670	1	KEYPAD ASSEMBLY
8	SEE PAGE #14	1	PRODUCT DISPLAY ASSEMBLY
9	1216726	1	DELIVERY BOX WELD/BLACK
10	1216804	1	BALLAST COVER WELD/BLACK
11	1217024	1	BOARD MOUNT STAKE/BLACK
12	4033549	1	LAMP - F15T8/CW/18"
13	4033712	8	CABLE TIE 7 3/8"
14	4050180	3	8-18X1/2 PHIL PH TEK
15	4050202	50	8-18X1/2 PHIL HWH TEK
16	4050420	20	8-18X1/4 PHIL HWH TY-A
17	4050423	8	8-18X3/8 PHIL PH TY-A
18	4050585	4	#8 EXT TOOTH LOCKWASHER
19	4050747	4	1/4 STAMPED HEX NUT
20	4060134	3	PLASTIC WIRE CLAMP 1"
21	4201942	2	6-20X3/16 PHL PH TY-B
22	4202255	3	GASKET 1/4X3/4 W/ADHENSIVE
23	4202841.017	1	READOUT WINDOW/BLUE/ENGLISH
24	4202927.007	1	T-HANDLE LATCH
25	4203029	1	WASHER-INNER DOOR
26	4203186.XXX	1	COIN INSERT BLACK (SPECIFY COIN SIZE)
27	4203187	1	COIN RETURN BUTTON/BLACK
28	4203207	1	COIN CUP/BLACK
29	4203208	1	COIN CUP DOOR/BLACK
30	4203209	1	COIN CUP BEZEL/BLACK
31	4203462.002	2	LAMP HOLDER MOUNT
32	4206879	4	BOARD STANDOFF-3/8"
33	4207171	2	LAMP SOCKET
34	4208890	1	COIN BOX - PLASTIC
35	4209188	1	SNAP PIN
36	4210954	1	INSERT MOUNT/BLACK
37	4213619	5	SIGN HOLDER
38	4213795	1	CONVOLUTED TUBING
39	4213796	1	GROUNDING STRIP, 20"
40	4213952	1	CONTROL BOARD GVC1 / BLUE
41	4213961	1	CONTROL BOARD COVER/BLACK
42	4214366.001	1	DISPLAY WINDOW/CB500
43	4214366	1	CAN ICE/CB500
44	4214384	1	BOTTOM ANTI-CHEAT/BLACK
45	4214590	1	BOTTOM ANTI-CHEAT/BLACK
46	4214739	1	WIRE COVER DOOR/BLACK
47	4214823	1	HARNESS COVER PLATE/BLACK

48	4216433.001	1	DELIVERY ANTI-CHEAT FRONT
49	7200468.005	4	6-18X1/4 PHIL TH TY-A
50	8324099.4	11	CLAMP - 3/8 X 3/8
51	8324099.7	2	CLAMP - 1/2 X 5/8
52	8356103.004	2	10-24X5/8 CARRIAGE BOLT
53	8800956	44	8-32 HEX NUT W/ETW
54	8800957	2	10-24 HEX NUT W/ETW
55	1216608	1	DOOR WELD
56	1216635	1	CONTROL PANEL WELD/SILVER
57	1216685	1	KICK PANEL W/STUD COVERS
58	SEE PAGE #12	1	INNER DOOR ASSEMBLY
59	4215960	1	BALLAST R21525P 220VAC
60	4214209	1	DOOR SIDE ANTI-CHEAT/BLACK
61	4213487	1	ANTI CHEAT LEFT/FWN BLACK
62	4214698	1	TOP ANTI-CHEAT/BLACK
63	4209639	2	VALIDATOR FILLER
64	4209656.001	2	POP PLATE/BLACK
65	4210396.007	1	FILLER DECAL-ENGLISH INSTALLATION
66	4201907.001	2	VALIDATOR PLATE-WRINKLE
67	4212909	16	1/4-20 X 1/2 BUTTON HEAD
68	4210396.007	1	FILLER DECAL – WITTERN
69	4214688	1	SERVICE MODE LABEL

LIST OF PARTS NOT SHOWN

70	4214275	1	DOOR HARNESS
71	4214728	1	SENSOR/RELAY HARNESS
72	4215471	1	MDB CABLE/GVC1
73	4216099	1	KEYPAD CABLE
74	4215984	1	LAMP HARNESS (220V)

DOOR ASSEMBLY (3539)



A11775

DOOR ASSEMBLY PARTS LIST (3539)

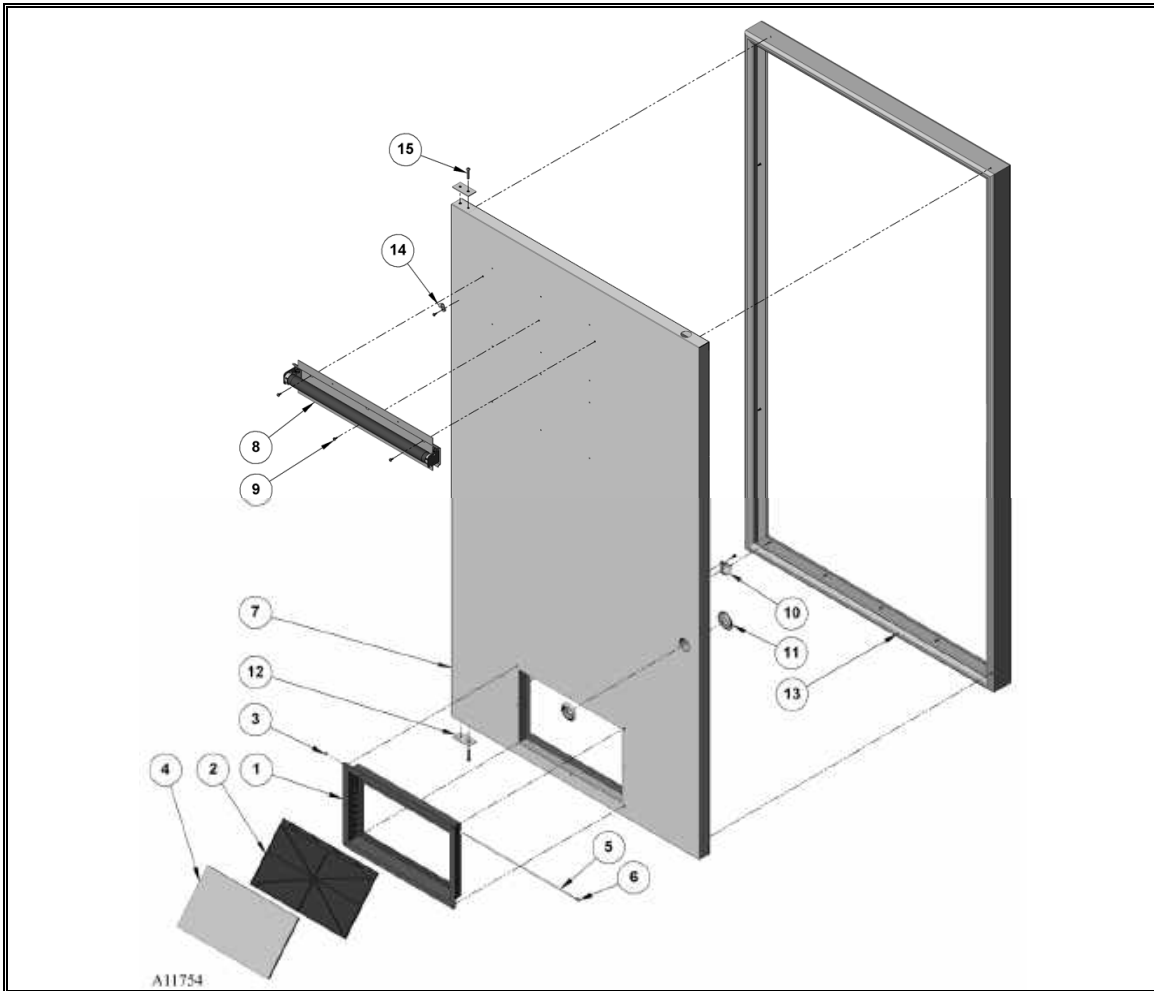
ITEM NO	PART NUMBER	3539	DESCRIPTION
1	1212097	1	COIN CHUTE-WELD
2	1215072	1	MECH MOUNT RIVET ASSEMBLY
3	1215317	1	HINGE INNER BOTTOM WELD
4	1216187	1	COIN RETURN LEVER MECHANISM
5	1216419	1	INNER DOOR TOP HINGE WELD
6	1216619	1	DELIVERY BEZEL WELD W/STUD COVER
7	1216670	1	KEYPAD ASSEMBLY
8	SEE PAGE #14	1	PRODUCT DISPLAY ASSEMBLY
9	1216726	1	DELIVERY BOX WELD/BLACK
10	1216804	1	BALLAST COVER WELD/BLACK
11	1217024	1	BOARD MOUNT STAKE/BLACK
12	4033712	8	CABLE TIE 7 3/8"
13	4050180	3	8-18X1/2 PHIL PH TEK
14	4050202	50	8-18X1/2 PHIL HWH TEK
15	4050420	20	8-18X1/4 PHIL HWH TY-A
16	4050423	8	8-18X3/8 PHIL PH TY-A
17	4050585	4	#8 EXT TOOTH LOCKWASHER
18	4050747	4	1/4 STAMPED HEX NUT
19	4060134	3	PLASTIC WIRE CLAMP 1"
20	4201942	2	6-20X3/16 PHL PH TY-B
21	4202255	3	GASKET 1/4X3/4 W/ADHENSIVE
22	4202841.017	1	READOUT WINDOW/BLUE/ENGLISH
23	4202927.007	1	T-HANDLE LATCH
24	4203029	1	WASHER-INNER DOOR
25	4203186.XXX	1	COIN INSERT BLACK 1 1/8 (SPECIFY COIN SIZE)
26	4203187	1	COIN RETURN BUTTON/BLACK
27	4203207	1	COIN CUP/BLACK
28	4203208	1	COIN CUP DOOR/BLACK
29	4203209	1	COIN CUP BEZEL/BLACK
30	4207171	2	LAMP SOCKET
31	4208890	1	COIN BOX - PLASTIC
32	4209188	1	SNAP PIN
33	4210954	1	INSERT MOUNT/BLACK
34	4213619	5	SIGN HOLDER
35	4213795	1	CONVOLUTED TUBING
36	4213796	1	GROUNDING STRAP, 20"
37	4213952	1	CONTROL BOARD GVC1 / BLUE
38	4213961	1	CONTROL BOARD COVER/BLACK
39	4214366	1	DISPLAY WINDOW/CB500
40	4214366	1	CAN ICE/CB500
41	4214384	1	BOTTOM ANTI-CHEAT/BLACK
42	4214739	1	WIRE COVER DOOR/BLACK
43	4214823	1	HARNESS COVER PLATE/BLACK
44	4216433.001	1	DELIVERY ANTI-CHEAT FRONT
45	7200468.005	4	6-18X1/4 PHIL TH TY-A
46	8324099.4	11	CLAMP - 3/8 X 3/8
47	8324099.7	2	CLAMP - 1/2 X 5/8
48	8356103.004	2	10-24X5/8 CARRIAGE BOLT
49	8800956	44	8-32 HEX NUT W/ETW

50	8800957	2	10-24 HEX NUT W/ETW
51	1216608	1	DOOR WELD
52	1216635	1	CONTROL PANEL WELD/SILVER
53	1216685	1	KICK PANEL W/STUD COVERS
54	SEE PAGE #12	1	INNER DOOR ASSEMBLY
55	4214209	1	DOOR SIDE ANTI-CHEAT/BLACK
56	4213487	1	ANTI CHEAT LEFT/FWN BLACK
57	4214698	1	TOP ANTI-CHEAT/BLACK
58	4201907.001	1	VALIDATOR PLATE-WRINKLE
59	4210396.007	1	FILLER DECAL-ENGLISH INSTALLATION
60	4209639	1	VALIDATOR FILLER
61	4209656.001	1	POP PLATE/BLACK
62	OPTIONAL	1	COIN MECHANISM
63	4215561.014	16	SNAP RIVET/BLACK 1/8
64	4216544	8	LED LIGHT ENGINE
65	4216644	1	TOP DISPLAY LED BRACKET
66	4216645	1	BOTTOM DISPLAY LED BRACKET
67	4050531	3	1/4 -20 HEX NUT
68	4216690	1	MINI-RELAY,SPDT,24VDC
69	4217004	1	HOLE GROMMET
70	OPTIONAL	1	BILL VALIDATOR
71	4212909	16	1/4-20 X 1/2 BUTTON HEAD
72	4214688	1	SERVICE MODE LABEL

LIST OF PARTS NOT SHOWN

73	4214275	1	DOOR HARNESS
74	4215471	1	MDB CABLE/GVC1
75	4216099	1	KEYPAD CABLE
76	4216994	1	SENSOR/RELAY HARNESS
77	4216691	8	TAB WIRE ASSEMBLY
78	4216696.003	2	TOP LED JUMPER HARNESS/CB
79	4216830	1	LED POWER HARNESS
80	4216959	1	LED RELAY HARNESS
81	4216693.007	6	20GA WIRE/BLACK -1"
82	4216693.008	4	20GA WIRE/BLACK -8"

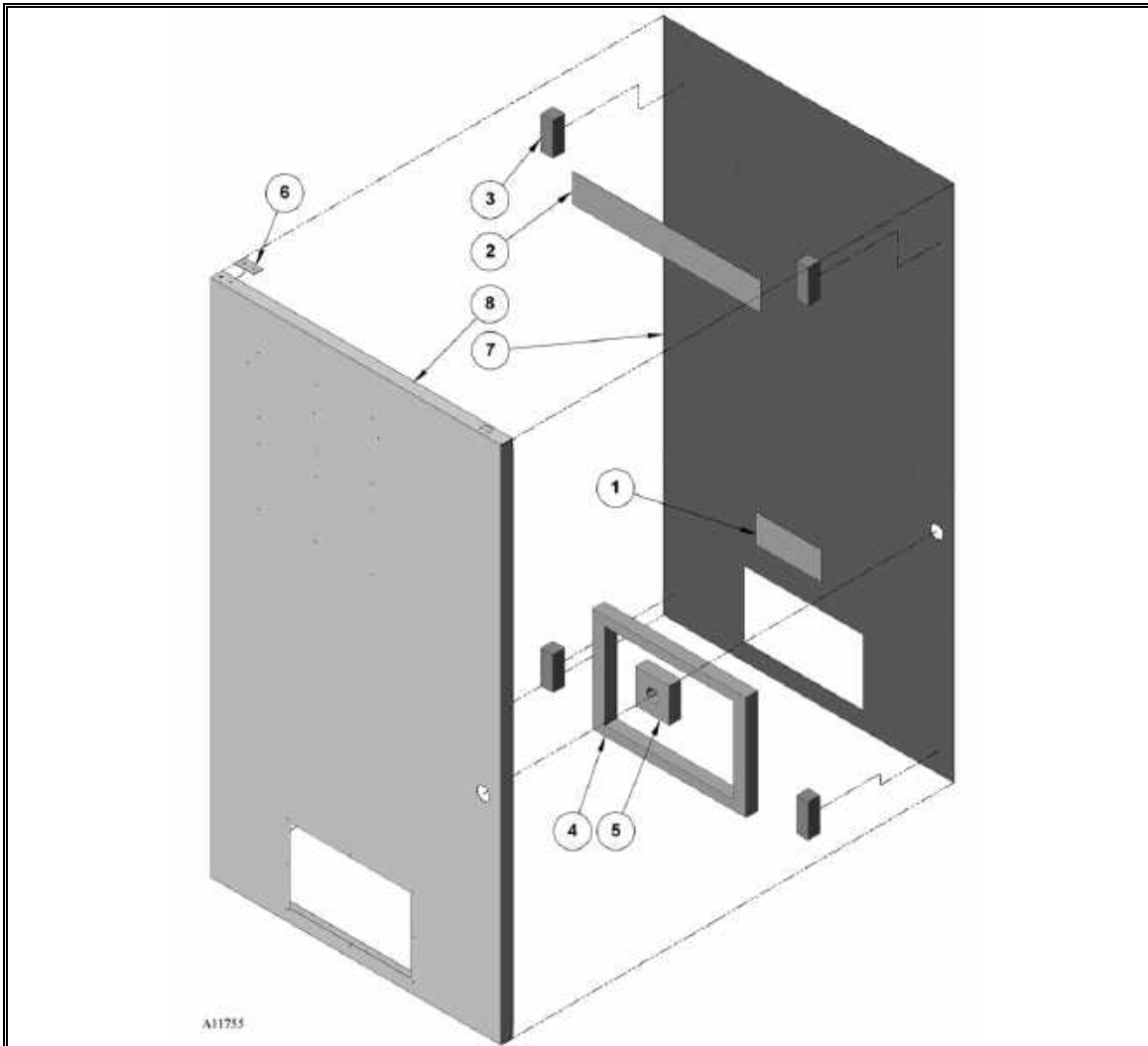
INNER DOOR ASSEMBLY



INNER DOOR ASSEMBLY PARTS LIST

ITEM NO	PART NUMBER	3500	3500A	3539	DESCRIPTION
1	4210457	1	1	1	TRANSITION INNER DOOR
2	4210478	1	1	1	DELIVERY DOOR
3	4211367	1	1	1	1/8 X 1/4 PUSH NUT
4	4213002	1	1	1	DELIVERY DOOR INSULATION
5	4215169	1	1	1	DELIVERY ROD
6	4215170	1	1	1	ACORN NUT
7	SEE PAGE #13	1	1	1	INNER DOOR FOAM ASSEMBLY
8	SEE PAGE #16	1	1	-	LAMP ASSEMBLY
9	4050180	84	84	84	8-18 X 1/2 PHIL PH TEK
10	4060134	1	1	1	PLASTIC WIRE CLAMP 1"
11	4211728	2	2	2	TEE HANDLE PLUG
12	4211747	2	2	2	INNER DOOR SUPPORT BRACE
13	4213146.005	1	1	1	GASKET INNER DOOR CB500
14	8324099.2	1	1	1	CLAMP - 1/4"
15	8810035	2	2	2	10-24 X 1 TRUSS CROSS HEAD

INNER DOOR FOAM ASSEMBLY



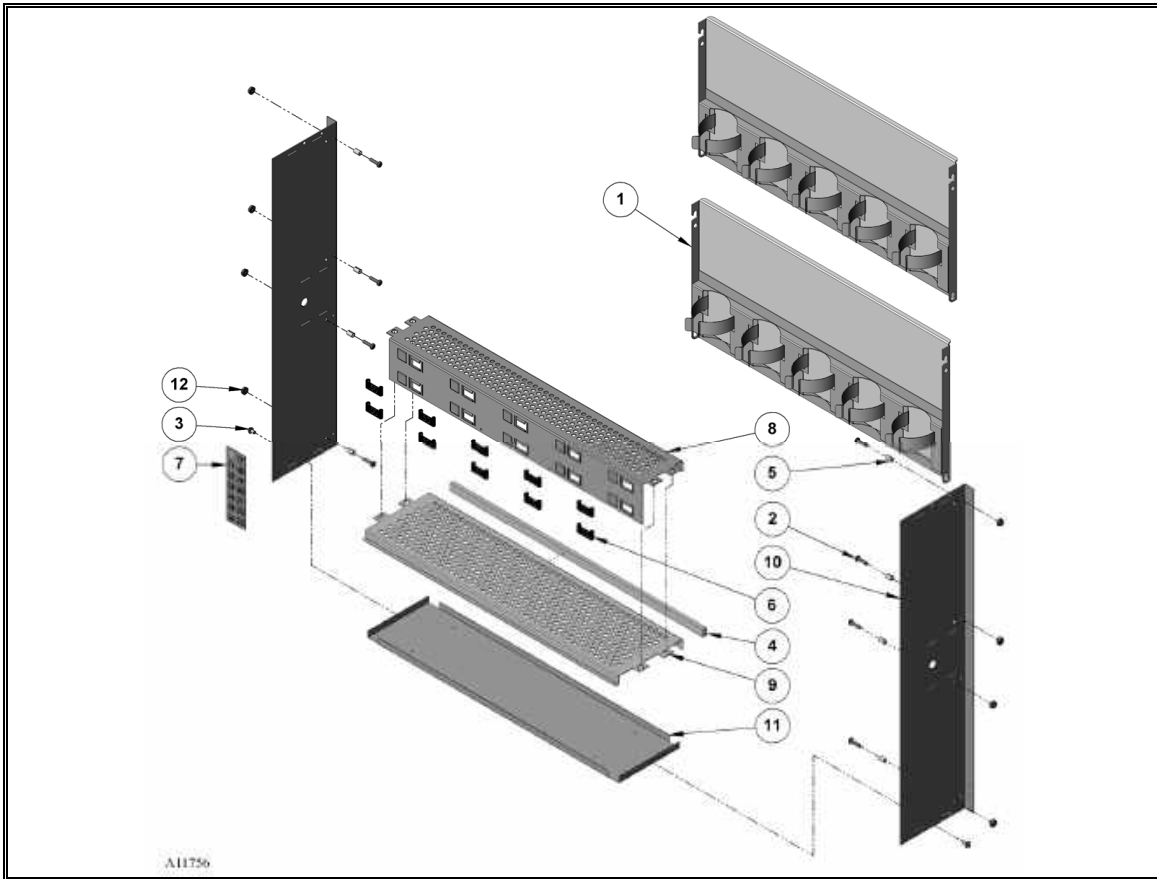
INNER DOOR FOAM ASSEMBLY PARTS LIST

ITEM NO	PART NUMBER	3500	3500A	3539	DESCRIPTION
1	4210135.003	1	1	1	(18GA) GALVANISED 3 X 7 PLATE
2	4210135.004	1	1	1	(18GA) 3 X 20 PLATE
3	4210527	4	4	4	STAND OFF BLOCK
4	4210562	1	1	1	STYRO SEAL
5	4210886	1	1	1	T-HANDLE FOAMING SEAL CB7
6	4211747	2	2	2	INNER DOOR SUPPORT BRACE
7	4214289	1	1	1	INNER DOOR INNER PANEL
8	4214290	1	1	1	INNER DOOR PANEL

LIST OF PARTS NOT SHOWN

9	R.4024	1.27 LB	1.27 LB	1.44 LB	FOAM COMPONENT
10	R.4025	1.04 LB	1.04 LB	1.31 LB	FOAM COMPONENT

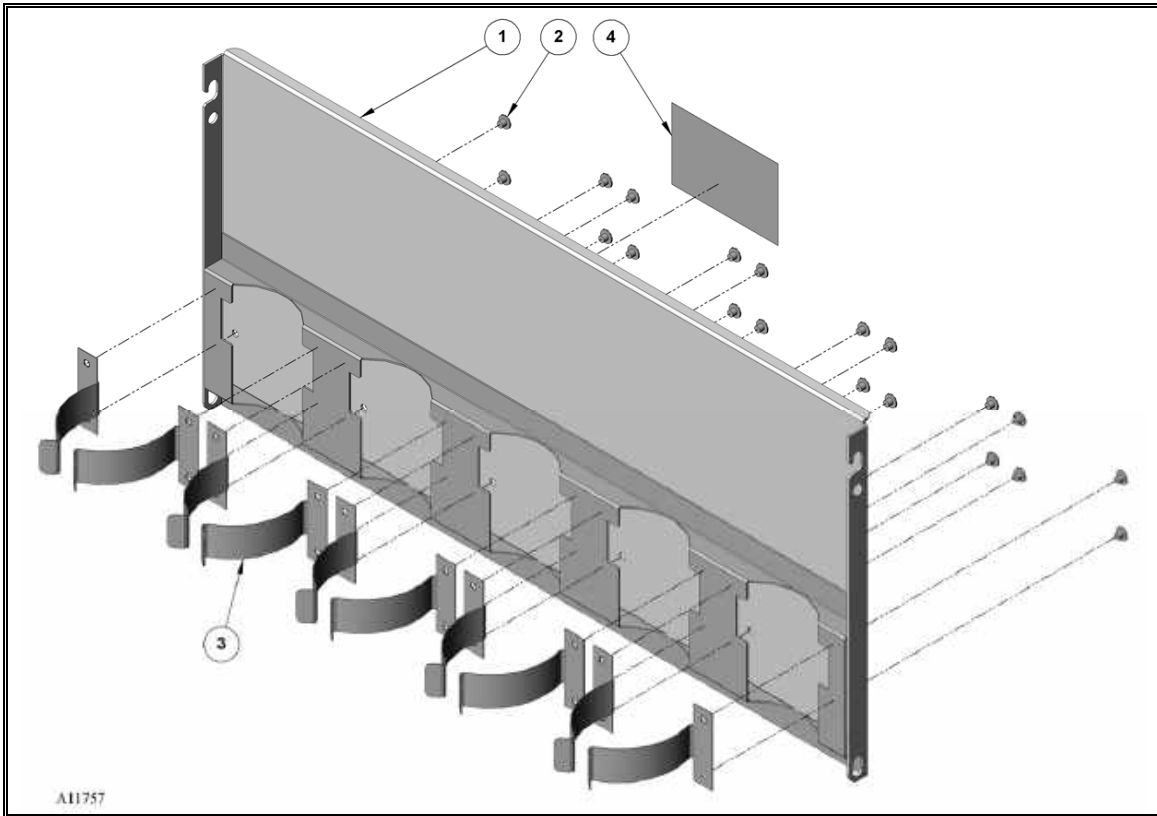
PRODUCT DISPLAY ASSEMBLY



PRODUCT DISPLAY ASSEMBLY PARTS LIST

ITEM NO	PART NUMBER	3500	3500A	3539	DESCRIPTION
1	SEE PAGE #15	2	2	2	PRODUCT DOOR RIVET ASSEMBLY
2	4050253	8	8	8	8-32 X 5/8 PHIL RIGHT HAND SCREW
3	4050420	2	2	2	8-18 X 1/4 PHIL HWH TYP
4	4060006.500	1.53 FT	1.53 FT	1.53 FT	1/4" X 1/2" FOAM TAPE
5	4060174.100	8	8	8	ROLLED SPLIT SPACER 3/8 - PLATE
6	4203341.007	10	10	10	PRICE SCROLL CB300SA
7	4212236.005	1	1	1	SELECTION LABEL
8	4214025	1	1	1	DISPLAY SHELF
9	4214298	1	1	1	PRODUCT DISPLAY MOUNT
10	4214300	2	2	2	DISPLAY SIDE/ SILVER
11	4214379	1	1	1	PRODUCT DISPLAY BOTTOM FILLE
12	8800956	8	8	8	8-32 HEX NUT W/ETW

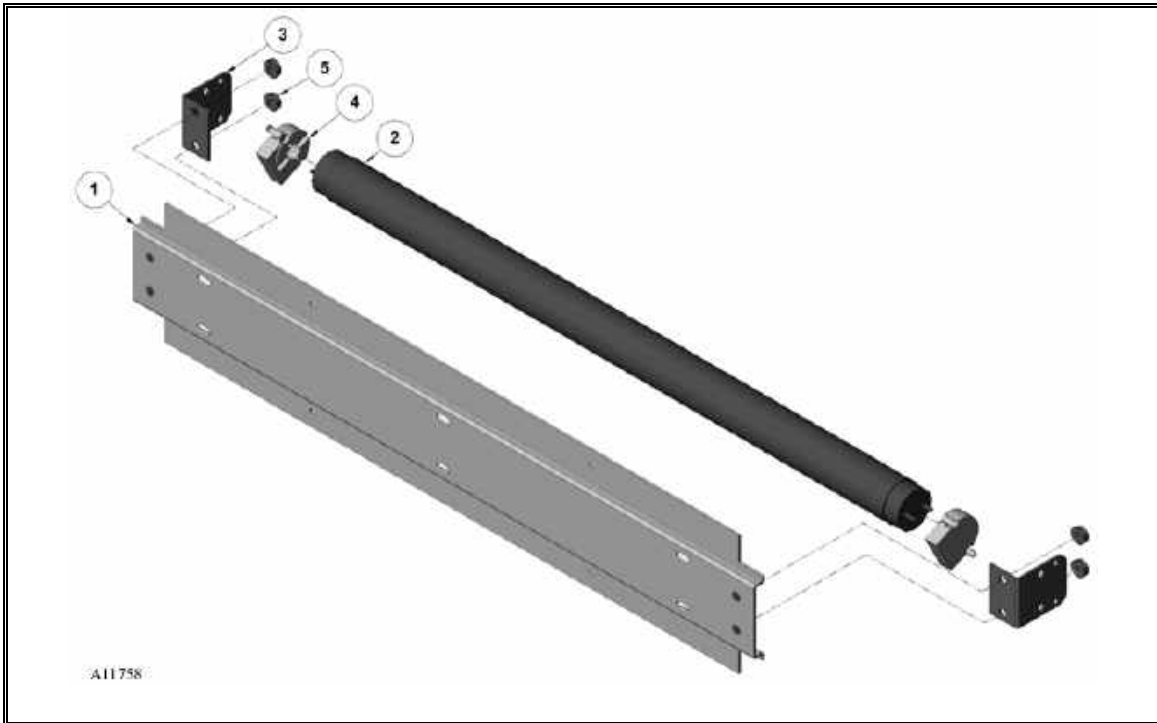
PRODUCT DOOR RIVET ASSEMBLY



PRODUCT DOOR RIVET ASSEMBLY PARTS LIST

ITEM NO	PART NUMBER	3500	3500A	3539	DESCRIPTION
1	1216715	1	1	1	PRODUCT DOOR WELD SILVER
2	4212194	20	20	20	5/32 POP RIVET
3	4213278	10	10	10	PRODUCT RETAINER LONG
4	4213522	1	1	1	DISPLAY DOOR INSTRUCTIONS

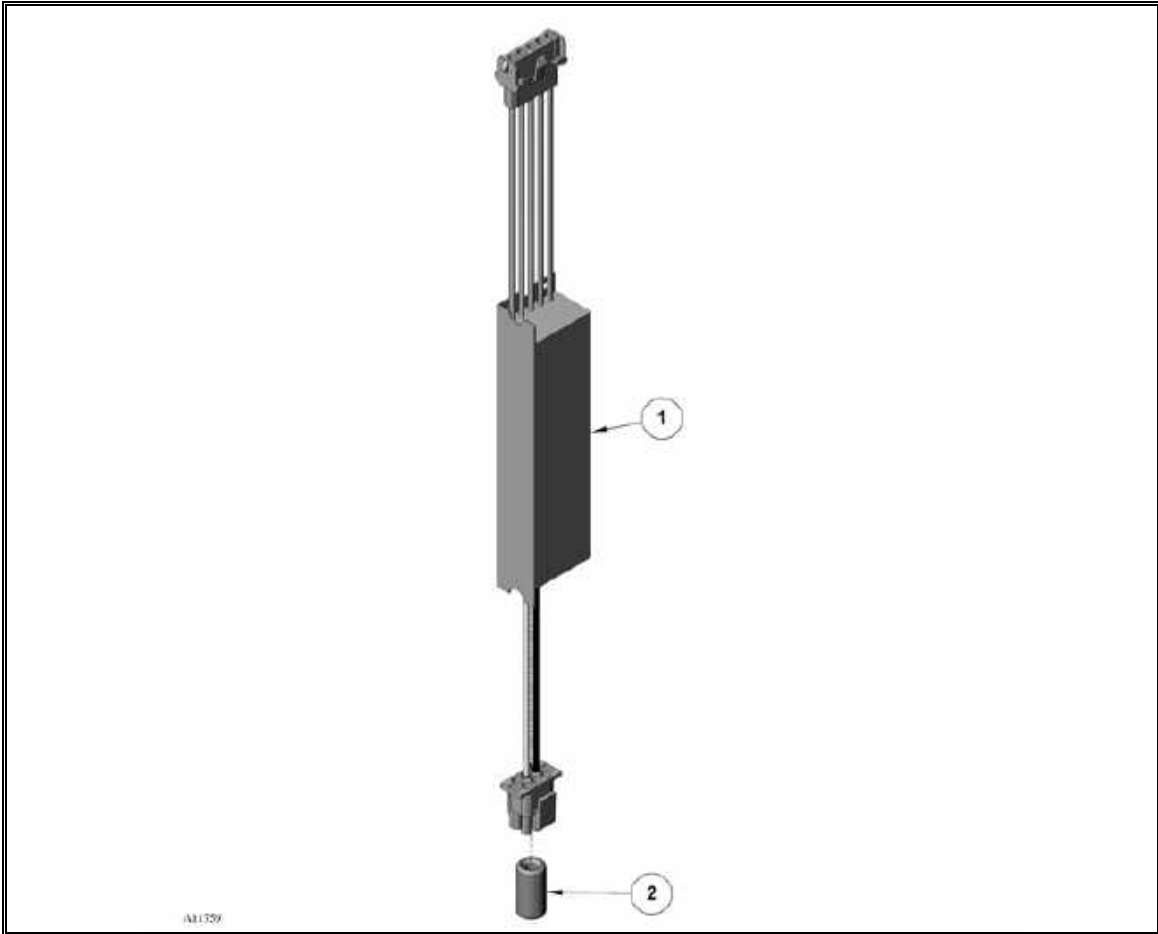
LAMP ASSEMBLY (3500 & 3500A)



LAMP ASSEMBLY (3500 & 3500A) PARTS LIST

ITEM NO	PART NUMBER	3500	3500A	DESCRIPTION
1	1216717	1	1	LAMP BRACKET STAKE
2	4033549	1	1	LAMP - F15T8/CW/18"
3	4203462.002	2	2	LAMP HOLDER MOUNT/GALV
4	4207171	2	2	LAMP SOCKET
5	8800956	4	4	8-32 HEX NUT W/ETW

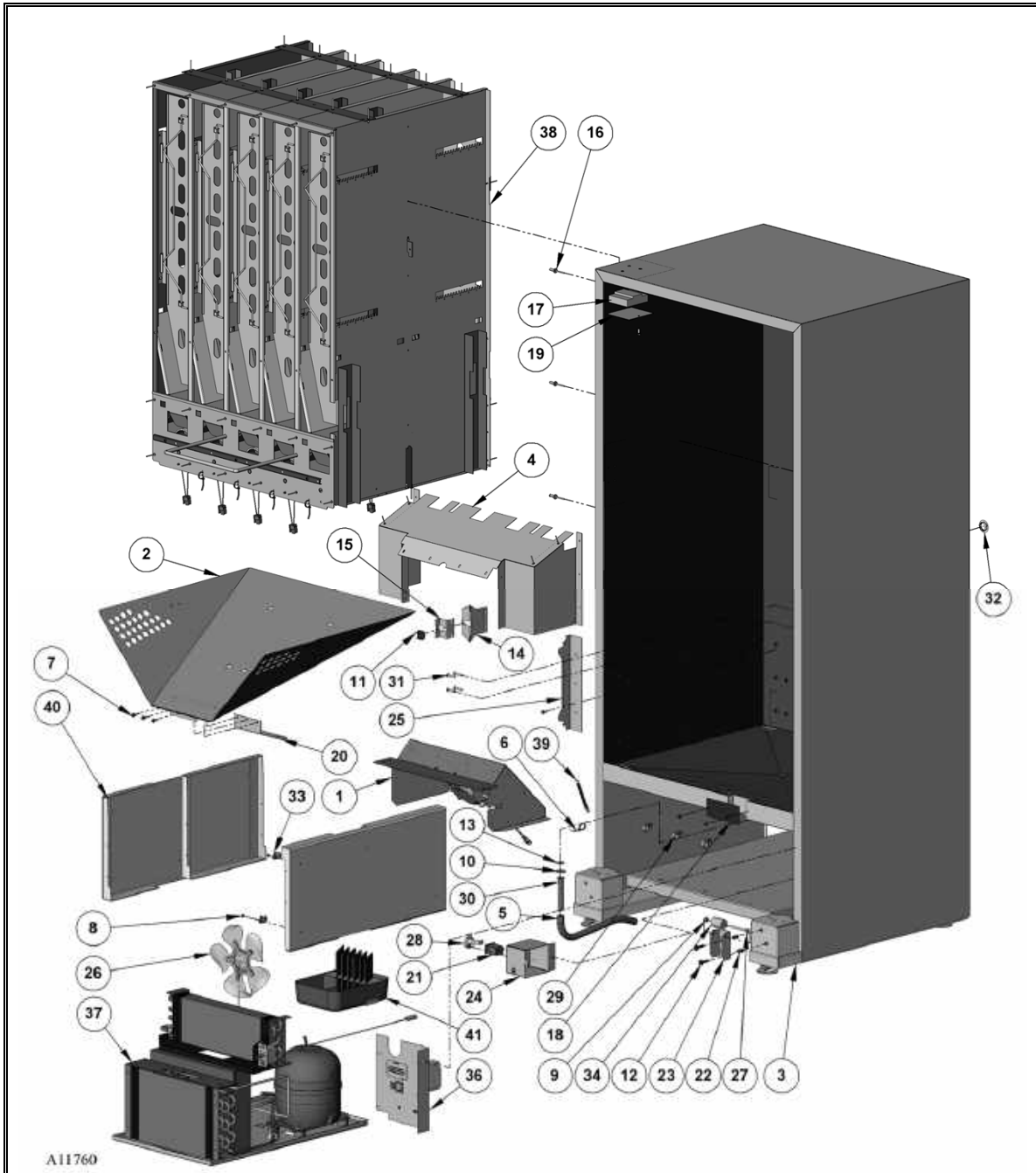
TERMINATED BALLAST ASSEMBLY (3500)



TERMINATED BALLAST ASSEMBLY (3500) PARTS LIST

ITEM NO	PART NUMBER	3500	DESCRIPTION
1	4213320	1	BALLAST WH33/L (120V)
2	4202801.001	1	SHIELD BEAD-FERRITE

CABINET ASSEMBLY



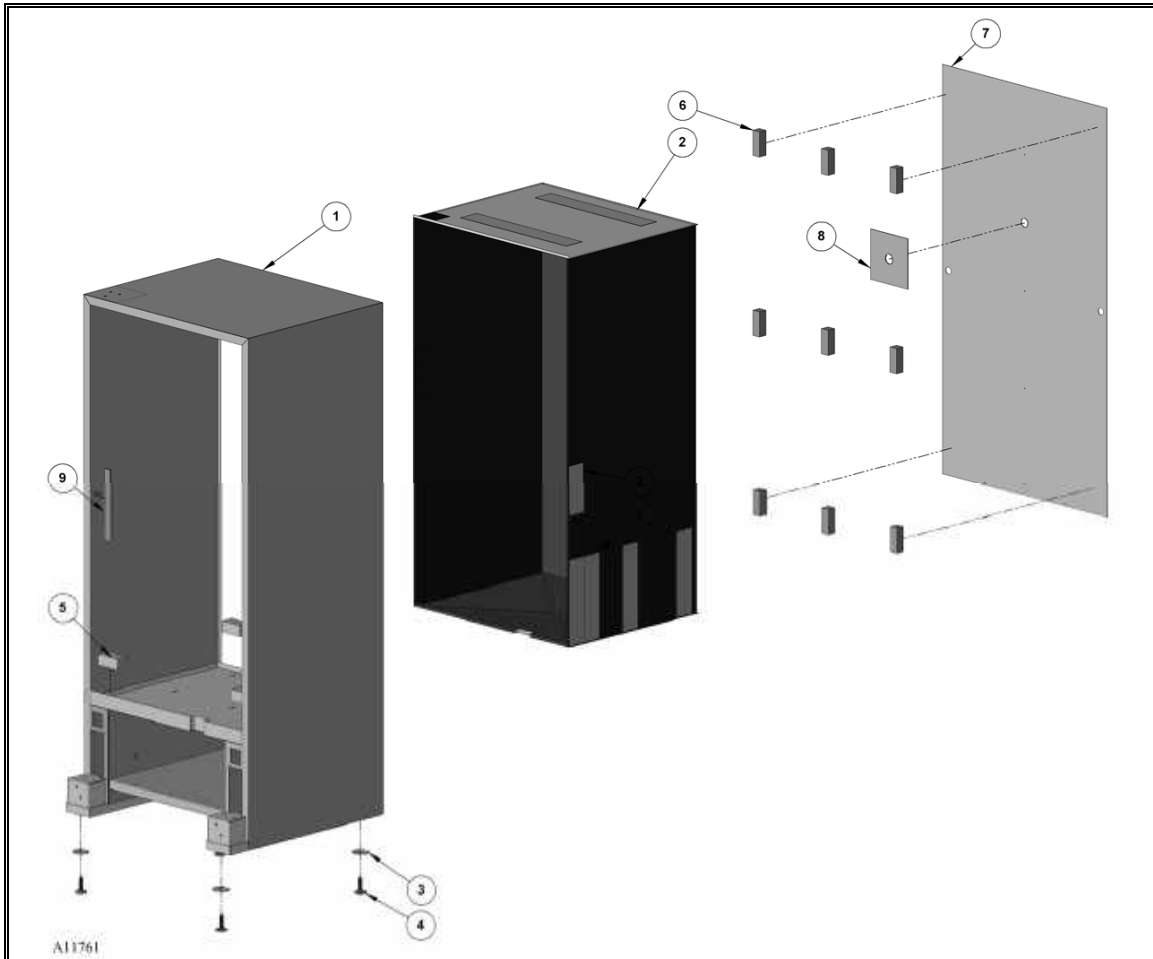
CABINET ASSEMBLY PARTS LIST

ITEM NO	PART NUMBER	3500	3500A	3539	DESCRIPTION
1	SEE PAGE #27	1	1	1	110V EVAPORATOR FAN ASSEMBLY
2	SEE PAGE #26	1	1	1	HOPPER ASSEMBLY
3	SEE PAGE #21	1	1	1	CABINET FOAM ASSEMBLY
4	SEE PAGE #26	1	1	1	AIR DUCT ASSEMBLY
5	4025410.010	1	1	1	TUBING MYLON 24 1/2"
6	4033712	3	3	3	CABLE TIE 7 3/8"
7	4050202	50	50	50	8-18X1/2 PHIL HWH TEK
8	4050420	2	2	2	8-18X1/4 PHIL HWH TY
9	4050496	1	1	1	1/4-20 NUT, TWO WAY LOCK
10	4050608	1	1	1	1/2 FLAT WASHER-ZINC
11	4050760	1	1	1	1/2-13 SQ NUT W/RETAINER
12	4050776	5	5	5	1/4-20X1 HEX MACH BOLT
13	4202284	1	1	1	.500 STUD DIA. PUSH NUT
14	4209293.001	1	1	1	TAPERED LOCK BRACKET ZINC
15	4209337	1	1	1	LOCK BRACKET BACK
16	4210421.002	16	16	16	1/4" RIVET-BLACK AL/AL
17	4210568	1	1	1	STYRO COVER
18	4211023	1	1	1	LINE COVER
19	4211504	1	1	1	TOP INSULATION COVER/GALVANISED
20	4211896	1	1	1	HOPPER MOUNT
21	4212490.001	1	1	1	RFI FILTER IEC SOCKET
22	4212937.016	5	5	5	THREAD INSERT, 1/4-20
23	4213222	1	1	1	ROLLER BRACKET
24	4213333	1	1	1	RFI FILTER BOX
25	4215420	2	2	2	HOPPER SUPPORT
26	4215475	1	1	1	8" EVAPORATOR FAN BLADE
27	4215632	1	1	1	1/4-20 X 2.25 HHCS
28	4216109	1	1	1	POWER CORD RETAINING CLIP
29	7090002.713	3	3	3	3/4 CABLE CLAMP
30	7100042.000	1	1	1	DRAIN TUBE
31	7200468.001	4	4	4	10-12X1 PHIL TH TY-A
32	7250135.002	3	3	3	HOLE PLUG, BPF-1"
33	8324099.6	2	2	2	CLAMP-3/8 X 1/2
34	8368656	1	1	1	ROLLER
35	8810017	6	6	6	10-16X5/8 HWH TEK SCREW
36	SEE PAGE #25	1	1	1	POWER PANEL ASSEMBLY/110V
	1216327.500	1	-	-	115V REFERIGERATION ASSEMBLY (1/3 HP)
37	1216327.501	-	1	-	230V REFERIGERATION ASSEMBLY (1/3 HP)
	1216327	-	-	1	115V REFERIGERATION ASSEMBLY (1/3 HP)
38	SEE PAGE #22	1	1	1	VEND STACK ASSEMBLY
39	8362993	1	1	1	SPRING .312 X 3 3/4SS
40	1216147	2	2	2	RACK RISER WELD
41	SEE PAGE #28	1	1	1	EVAPORATOR CARD ASSEMBLY NEW PAN

LIST OF PARTS NOT SHOWN

42	R.3994	1 FT	1 FT	1 FT	SEAL-MASTIC PERMAGUM
43	1211465.003	1	1	1	REPL-HA-13" GROUND WIRE
44	4213288	1	1	-	LAMP POWER HARNESS
45	4214273	1	1	1	POWER HARNESS
46	4214684	1	1	1	TEMPERATURE SENSOR-CABINET
47	4214800	1	1	1	COMPRESSOR RELAY CABLE
48	4214862	1	-	1	COMPRESSOR POWER CABLE
	4215761	-	1	-	
49	4215492	1	1	1	EVAPORATOR FAN EXTENTION HARNESS

CABINET FOAM ASSEMBLY



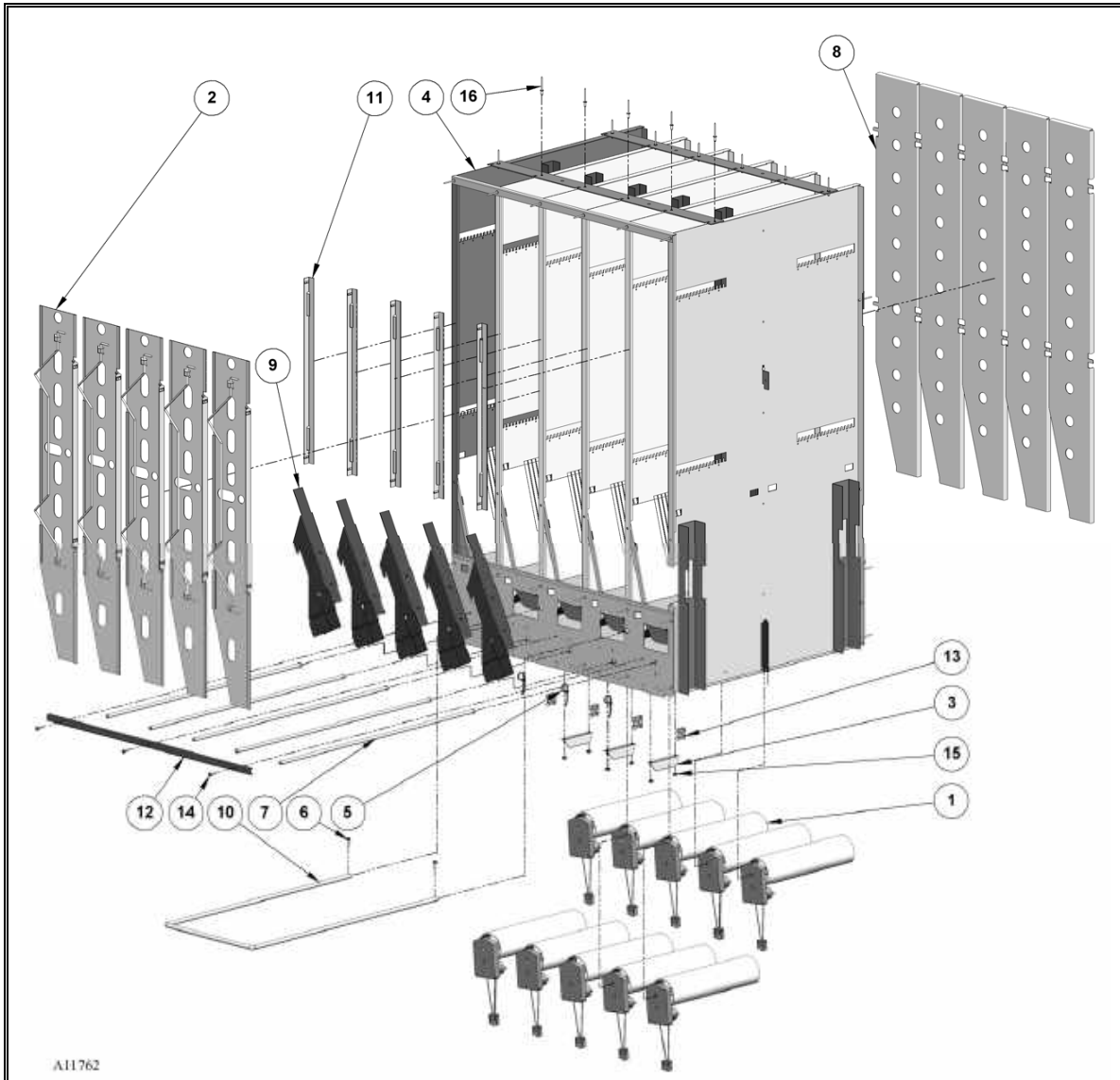
CABINET FOAM ASSEMBLY PARTS LIST

ITEM NO	PART NUMBER	3500	3500A	3539	DESCRIPTION
1	1216309	1	1	1	CABINET WELD ASSEMBLY
2	1217033	1	1	1	LINER ASSEMBLY
3	4009927	4	4	4	5/8 SLOTTED LEG LEVELER WASHER
4	4207933	4	4	4	LEG LEVELER
5	4210138	4	4	4	LINER SUPPORT
6	4210527	9	9	9	STAND OFF BLOCK CB700
7	4210921	1	1	1	CABINET BACK
8	4214886	1	1	1	BACK FOAM PLATE
9	7960247	14.5 FT	14.5 FT	14.5 FT	"A" FRAME GASKET

LIST OF PARTS NOT SHOWN

10	R.3994	3.3FT	3.3FT	3.3FT	SEAL-MASTIC PERMAGUM
11	R.4024	5.17LB	5.17LB	5.17LB	FOAM-COMPONENT
12	R.4025	4.23LB	4.23LB	4.23LB	FOAM-COMPONENT

VEND STACK ASSEMBLY



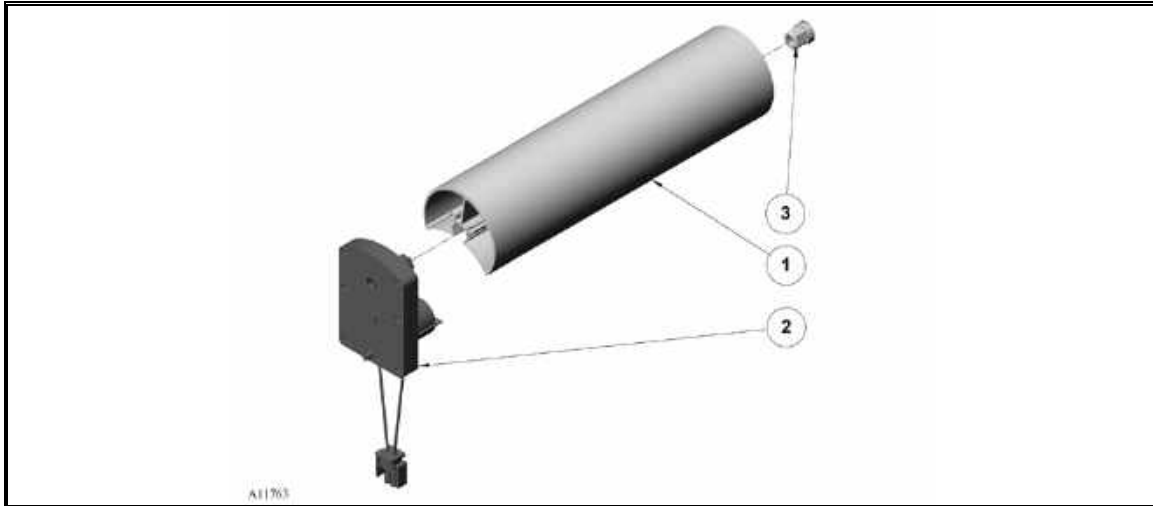
VEND STACK ASSEMBLY PARTS LIST

ITEM NO	PART NUMBER	3500	3500A	3539	DESCRIPTION
1	SEE PAGE #24	10	10	10	VEND MECH ASSEMBLY
2	SEE PAGE #24	5	5	5	PRODUCT RETAINER ASSEMBLY
3	1215995	3	3	3	PROD KNOCKDOWN STAKE ASSEMBLY
4	1216266	1	1	1	STACK RIVET ASSEMBLY CB500
5	4033704	9	9	9	CABLE TIE
6	4050202	2	2	2	8-18X1/2 PHIL HWH TEK
7	4210051	5	5	5	DRIVE SHAFT
8	4210139	5	5	5	REAR RETAINER
9	4210469	5	5	5	CENTRAL FILLER
10	4211361	1	1	1	LOADING TRAY
11	4211485	5	5	5	LATCH TRAY
12	4212961	1	1	1	ROD RETAINER STRIP
13	4214964	5	5	5	WIRE HANGER
14	8800636	3	3	3	8-18X1/2 PHIL PH TYPE
15	8800955	6	6	6	6-32 HEX NUT W/ETW
16	4212194	5	5	5	5/32 POP RIVET

LIST OF PARTS NOT SHOWN

17	4214606.005	1	1	1	CABINET HARNESS/CB500
----	-------------	---	---	---	-----------------------

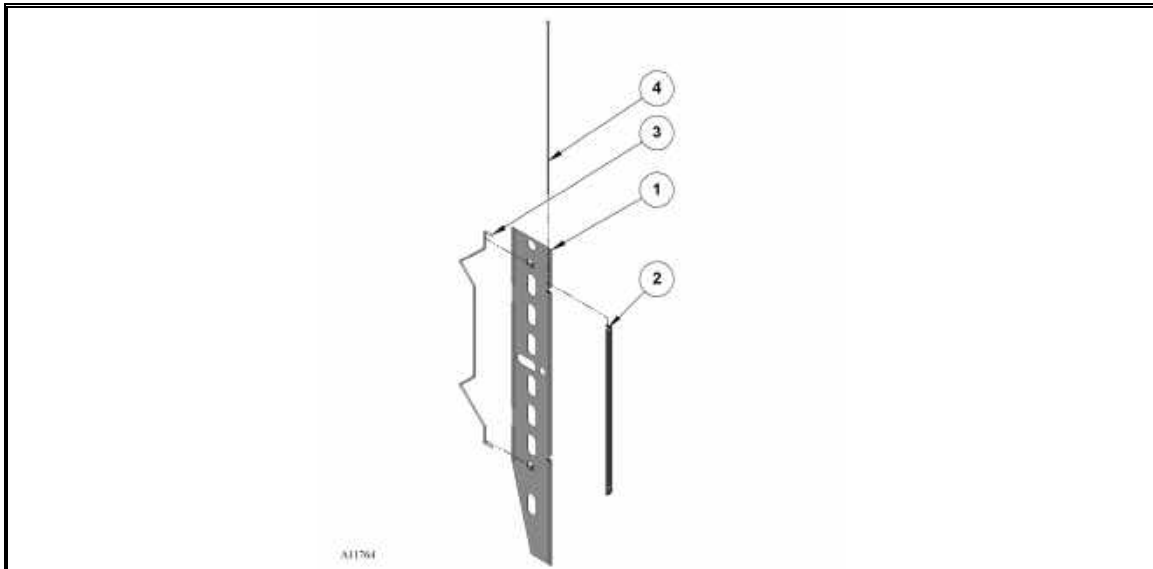
VEND MECH ASSEMBLY



VEND MECH ASSEMBLY PARTS LIST

ITEM NO	PART NUMBER	3500	3500A	3539	DESCRIPTION
1	4210050	1	1	1	VEND CRADLE
2	4210052.001	1	1	1	MOTOR W/SMALL TERMINALS
3	4210449	1	1	1	CENTER IDLER

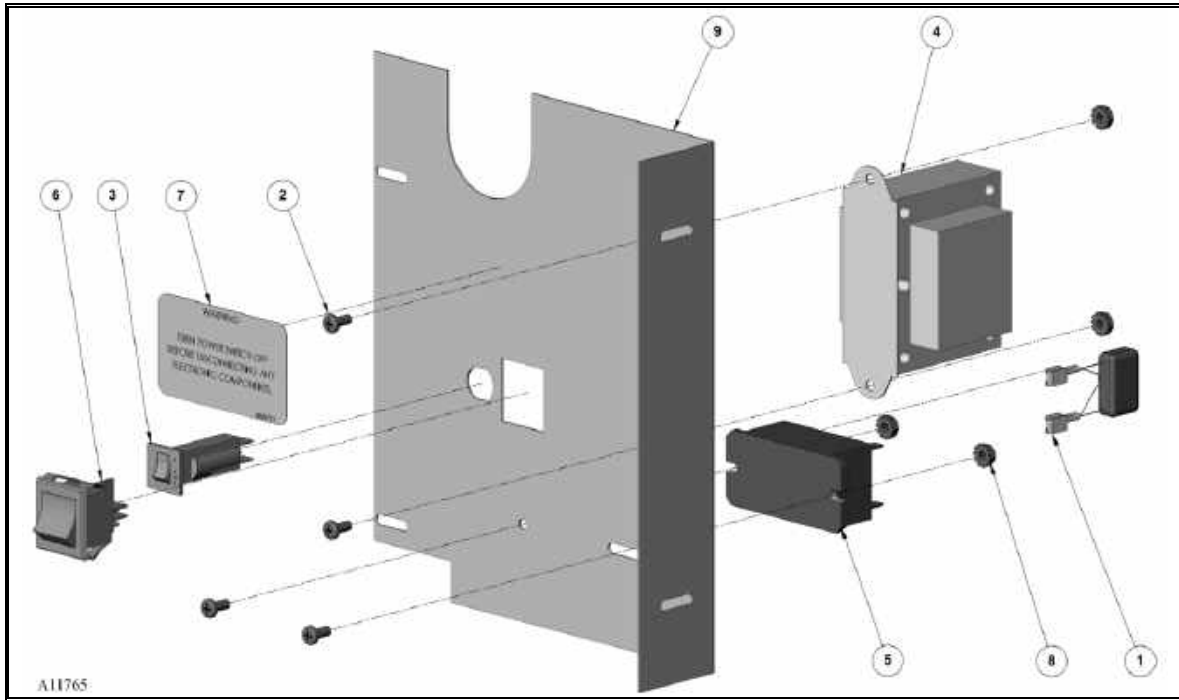
PRODUCT RETAINER ASSEMBLY



PRODUCT RETAINER ASSEMBLY PARTS LIST

ITEM NO	PART NUMBER	3500	3500A	3539	DESCRIPTION
1	4210045	1	1	1	RETAINER DOOR
2	4210048	1	1	1	FRONT DOOR HINGE
3	4210389	1	1	1	SPRING LATCH-PLATED
4	4210916	1	1	1	HINGE SHAFT

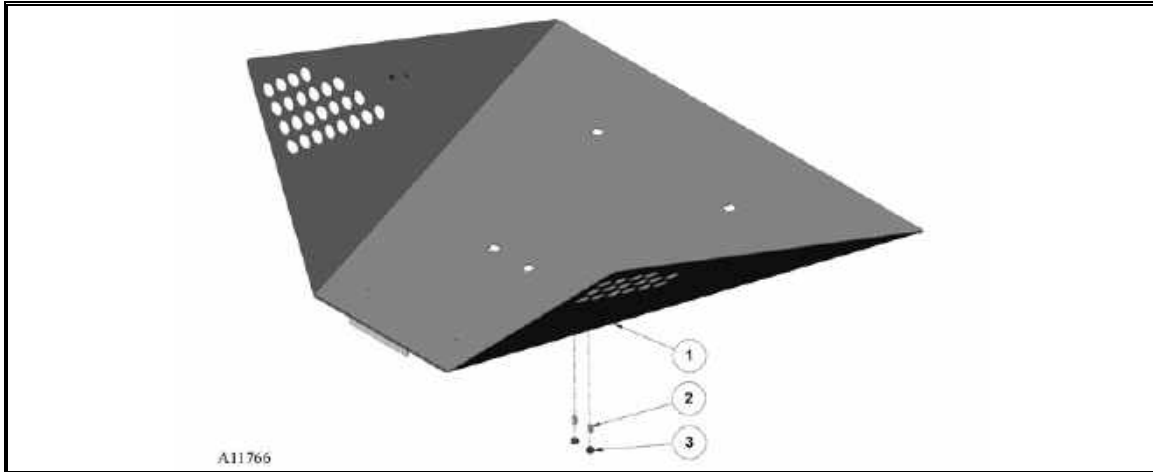
POWER PANEL ASSEMBLY



POWER PANEL ASSEMBLY PARTS LIST

ITEM NO.	PART NUMBER	3500	3500A	3539	DESCRIPTION
1	1216357	2	-	2	ARC SUPPRSSR SNUBBER 110V
	1216357.001	-	2	-	ARC SUPPRSSR SNUBBER 220V
2	4050240	4	4	4	8-32X3/8 PHIL PH MS
3	40203467.003	1	1	1	3 AMP CIRCUIT BREAKER
4	4206570.000	1	-	1	TRANSFORMER, 110V INPUT
	4206570.001	-	1	-	TRANSFORMER, 230V INPUT
5	4206643	1	1	1	RELAY DISPLAY 24VAC/DC30A
6	4213627	1	1	1	SWITCH-DOUBLE POLE
7	8620711	1	1	1	POWER SWITCH WARNING
8	8800956	4	4	4	8-32 HEX NUT W /ETW
9	4213199.001	1	1	1	POWER PLATE

HOPPER ASSEMBLY



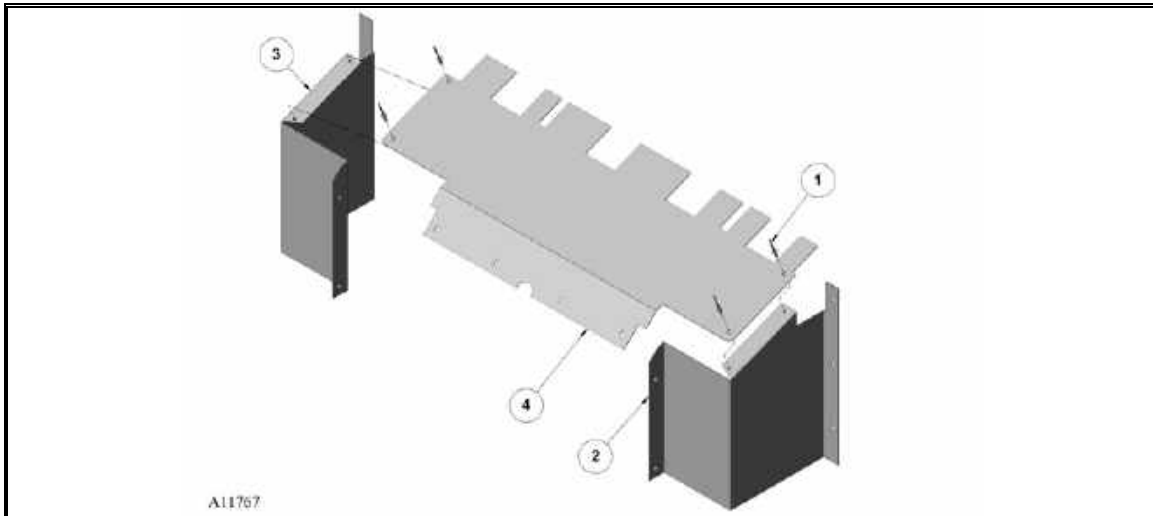
HOPPER ASSEMBLY PARTS LIST

ITEM NO	PART NUMBER	3500	3500A	3539	DESCRIPTION
1	1216268	1	1	1	HOPPER WELD W/STUD COVERS
2	4206767	2	2	2	STAND OFF
3	8800955	2	2	2	6-32 HEX NUT W/ETW

LIST OF PARTS NOT SHOWN

4	4215931	1	1	1	DROP SENSOR, 15'
---	---------	---	---	---	------------------

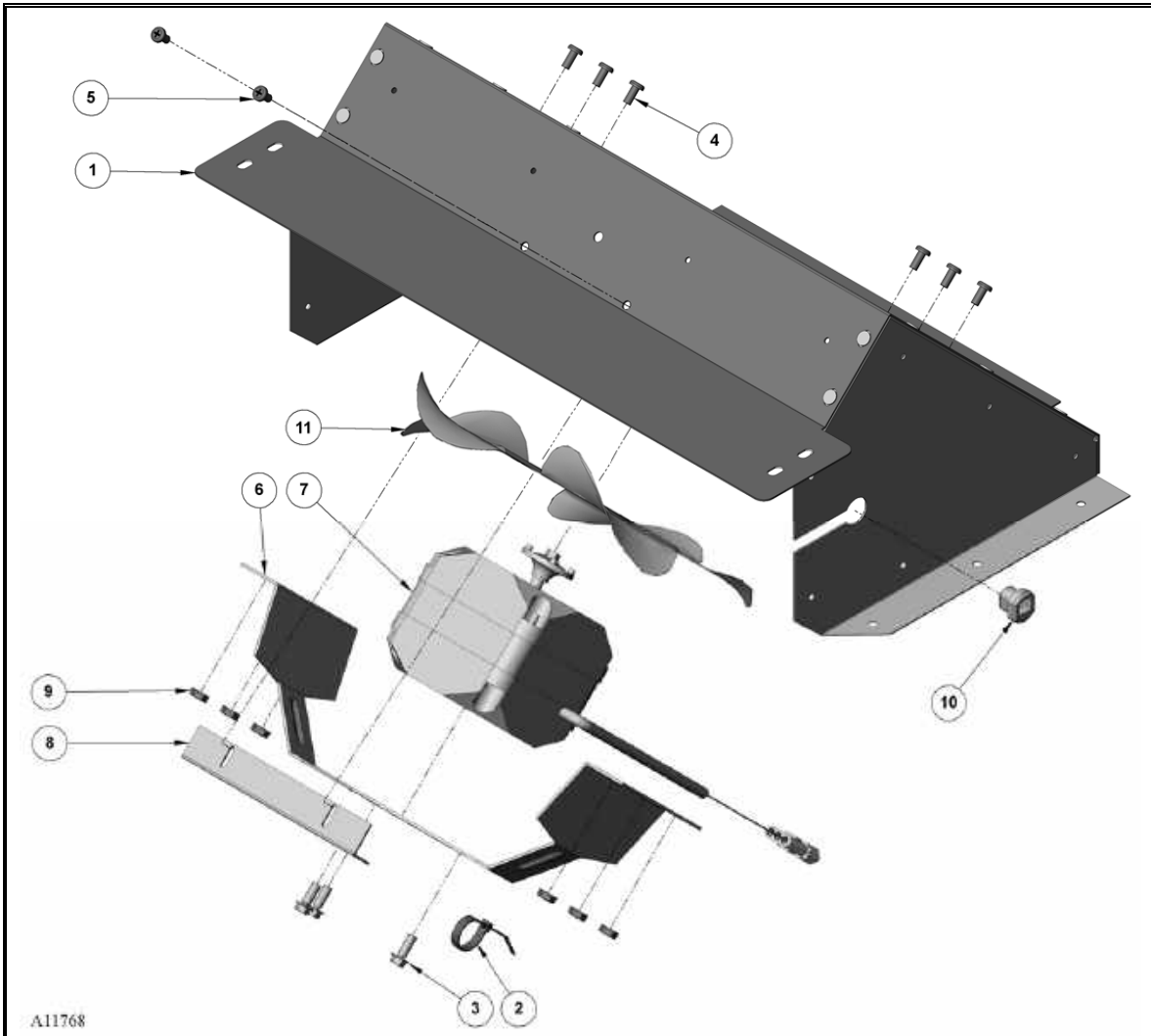
AIR DUCT ASSEMBLY



AIR DUCT ASSEMBLY PARTS LIST

ITEM NO	PART NUMBER	3500	3500A	3539	DESCRIPTION
1	4050667.001	4	4	4	1/8X .125 POP RIVET
2	4215950	1	1	1	AIR DUCT SIDE-RIGHT
3	4215950.001	1	1	1	AIR DUCT SIDE-LEFT
4	4215989	1	1	1	AIR DUCT COVER

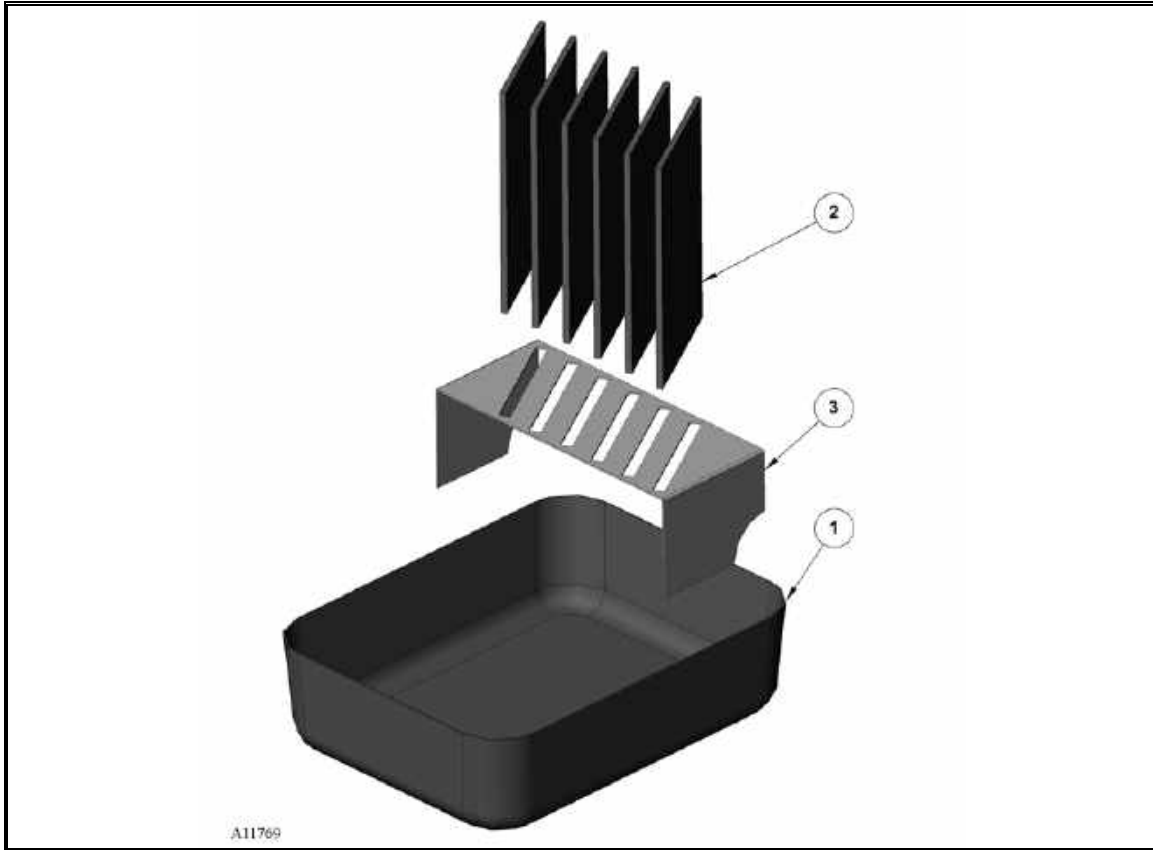
EVAPORATOR FAN ASSEMBLY



EVAPORATOR FAN ASSEMBLY PARTS LIST

ITEM NO.	PART NUMBER	3500	3500A	3539	DESCRIPTION
1	1215648	1	1	1	EVAPORATOR FAN RIVET ASSEMBLY
2	4033712	1	1	1	CABLE TIE 7 3/8"
3	4050202	3	3	3	8-18X1/2 PHIL HWH TEK
4	4050240	6	6	6	8-32X3/8 PHIL PH MS
5	4050423	2	2	2	8-18X3/8 PHIL PH TY-A
6	4210618	1	1	1	EVAPORATOR FAN BRACKET
	4214798	1	-	-	16W FAN MOTOR-110VAC
7	4214798.001	-	1	-	16W FAN MOTOR-230VAC
	4216766	-	-	1	7.8W FAN MOTOR-110VAC
8	4215474	1	1	-	FAN STABILIZER BRACKET
9	8800956	6	6	6	8-32 HEX NUT W/ETW
10	4033683	1	1	1	CORD STRAIN RELIEF BUSHING
11	4215475	1	1	1	8" EVAPORATOR FAN BLADE

EVAPORATOR CARD ASSEMBLY



EVAPORATOR CARD ASSEMBLY PARTS LIST

ITEM NO	PART NUMBER	3500	3500A	3539	DESCRIPTION
1	4212183	1	1	1	DRAIN PAN/CB/COMBO
2	4212661	6	6	6	CONDENSATE EVAPORATE CARD
3	4213142	1	1	1	EVAPORATE HOLDER

NOTES

The contents of this publication are presented for informational purposes only, and while every effort has been made to ensure their accuracy, they are not to be construed as warranties or guarantees, express or implied, regarding the products or services described herein or their use or applicability. We reserve the right to modify or improve the designs or specifications of such products at any time without notice.



VendNet™
165 North 10th Street
Waukee, Iowa 50263
United States of America



	USA & Canada	International
Service	(800) 833-4411	(515) 274-3641
Parts	(888) 259-9965	
Email	vendnet@vendnetusa.com	
Web Site	www.vendnetusa.com	