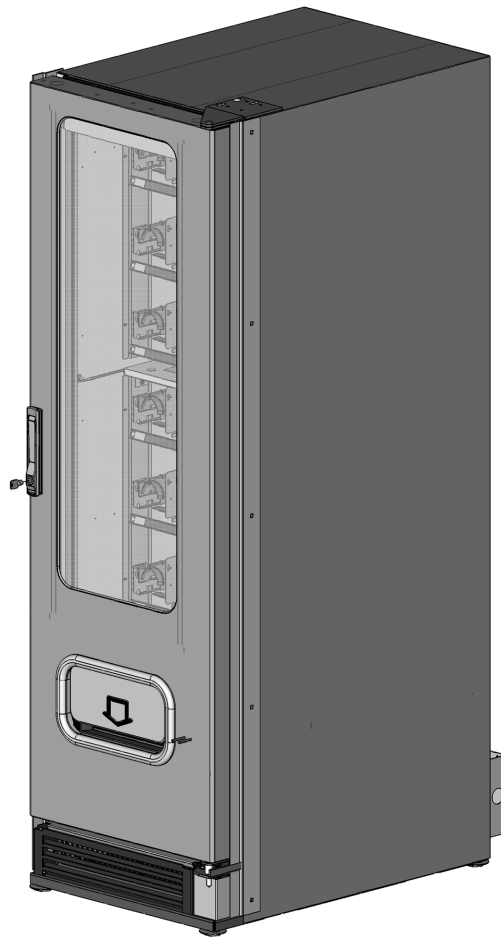


MULTI-ZONE FOAMED MACHINE

MODEL - 3530

PARTS MANUAL



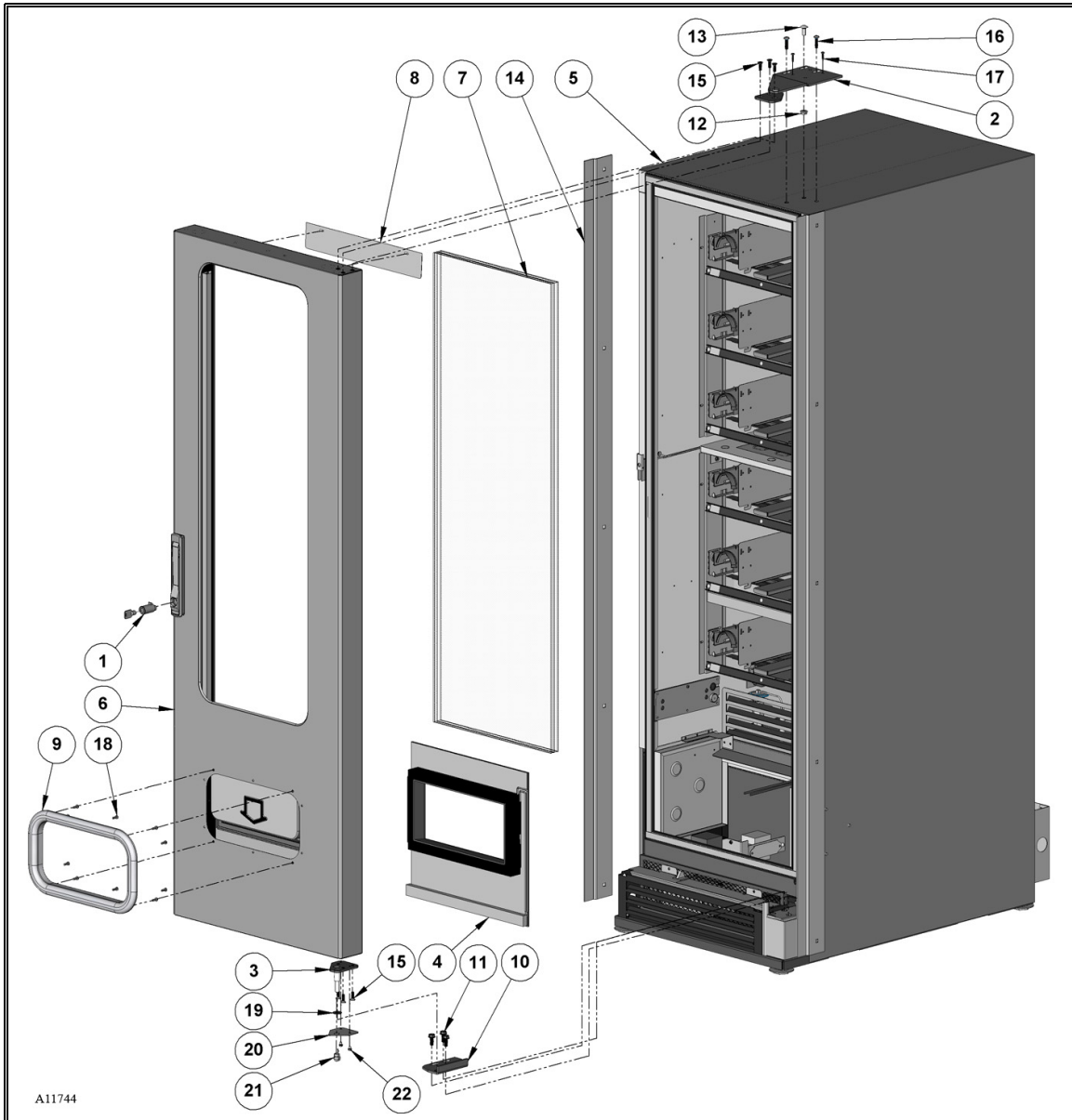
A11745

VendNet™
165 North 10th Street
Waukee, IOWA 50263-0488
United States of America

TABLE OF CONTENTS

FINAL ASSEMBLY	1
<i>FINAL ASSEMBLY PARTS LIST</i>	<i>2</i>
DOOR ASSEMBLY	3
<i>DOOR ASSEMBLY PARTS LIST</i>	<i>4</i>
DOOR FOAM ASSEMBLY	5
<i>DOOR FOAM ASSEMBLY PARTS LIST</i>	<i>5</i>
DELIVERY DOOR ASSEMBLY	6
<i>DELIVERY DOOR ASSEMBLY PARTS LIST</i>	<i>6</i>
DELIVERY DOOR FOAM ASSEMBLY	7
<i>DELIVERY DOOR FOAM ASSEMBLY PARTS LIST</i>	<i>7</i>
TRANSITION ASSEMBLY	8
<i>TRANSITION ASSEMBLY PARTS LIST</i>	<i>8</i>
LED SIDE ASSEMBLY	9
<i>LED SIDE ASSEMBLY PARTS LIST</i>	<i>9</i>
CABINET ASSEMBLY	10
<i>CABINET ASSEMBLY PARTS LIST</i>	<i>11</i>
CABINET FOAM ASSEMBLY	14
<i>CABINET FOAM ASSEMBLY PARTS LIST</i>	<i>15</i>
MZF TRAY ASSEMBLY	16
<i>MZF TRAY ASSEMBLY PARTS LIST</i>	<i>17</i>
ELECTRICAL PANEL ASSEMBLY	18
<i>ELECTRICAL PANEL ASSEMBLY PARTS LIST</i>	<i>19</i>
REFERIGERATION ASSEMBLY	20
<i>REFERIGERATION ASSEMBLY PARTS LIST</i>	<i>21</i>
DELIVERY FOAM BOX ASSEMBLY	22
<i>DELIVERY FOAM BOX ASSEMBLY PARTS LIST</i>	<i>22</i>

FINAL ASSEMBLY



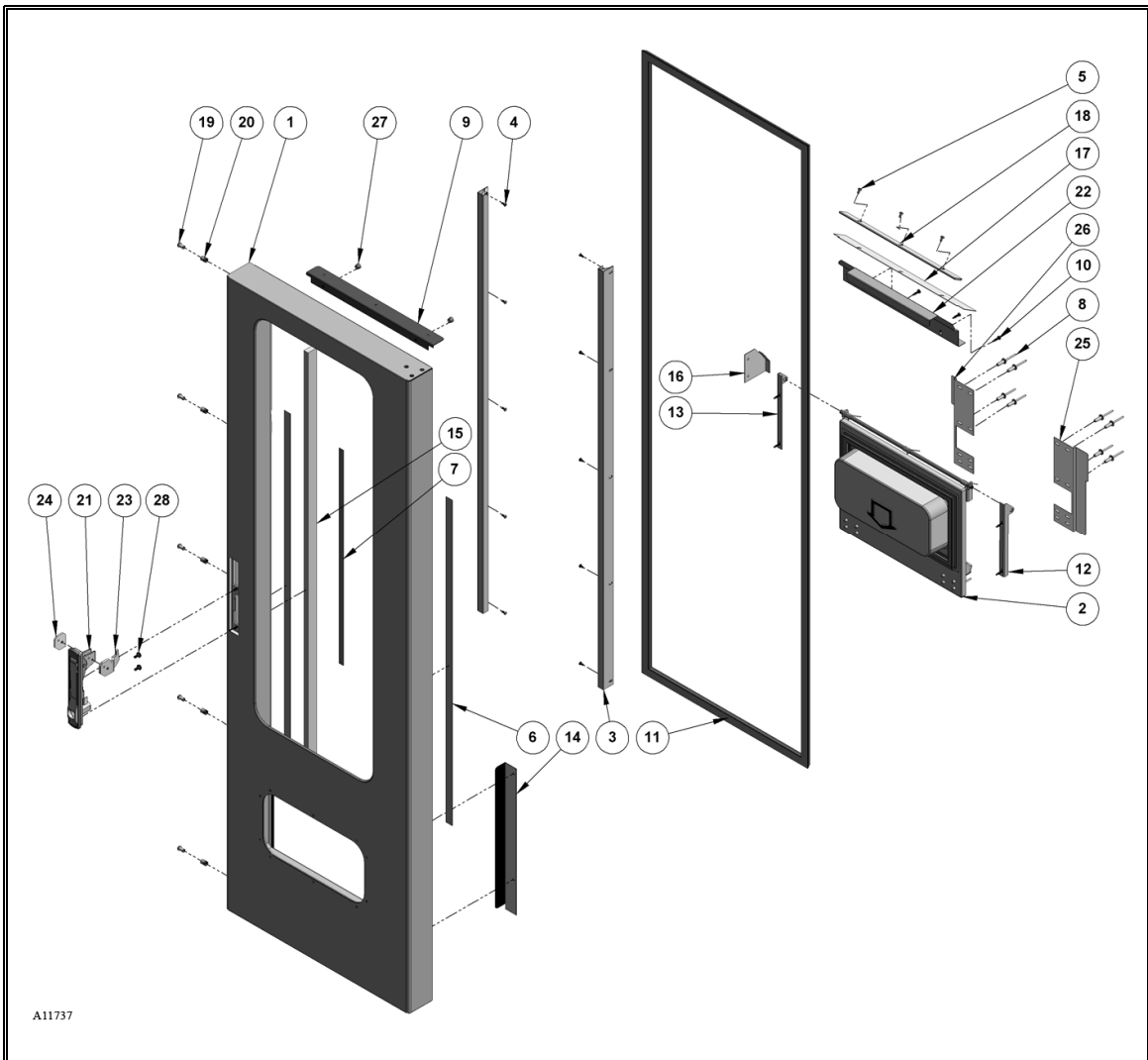
FINAL ASSEMBLY PARTS LIST

ITEM NO.	PART NUMBER	QTY	DESCRIPTION
1	1212652	1	LOCK INSTALL
2	1215974	1	TOP HINGE WELD/WRINKLE
3	1215975	1	BOTTOM HINGE WELD/BLACK
4	SEE PAGE #8	1	TRANSITION ASSEMBLY(FROZEN)
5	SEE PAGE #10	1	CABINET ASSEMBLY
6	SEE PAGE #3	1	DOOR ASSEMBLY
7	4210104	1	HEATED TRI – PANE GLASS
8	4213492.002	1	ENGLISH FROZEN RIGHT/LEFT
9	4214609.003	1	DELIVERY BEZEL/3W
10	4216371	1	BOTTOM HINGE(SF) FORMED
11	8801388	3	5/16 – 18X 3/4 HWH TYPE
12	8810015	1	5/16 – 18 FLANGE LOCK NUT
13	4050099	1	5/16 – 18X 3/4 CARRIAGE BOLT
14	4216431	2	SIDE ANTI - CHEAT
15	4212089	6	1/4-20 X 3/4 SOCKET FLAT COUNTERSUNK
16	XXXXXXX	2	1/4-20 X 1" SCREW
17	4212505	2	#8- 3/4 PHIL PAN HEAD TEK
18	8801322	10	8-18 X 1/2 PHIL PH - HILO
19	4050767	2	3/8 FLAT WASHER – NYLON BLACK
20	4212217	1	STRAIN RELIEF RETAINER
21	4212606	1	STRAIN RELIEF RIGHT ANGLE
22	8800090	2	8-32 X ¼ PHIL PH MS-SCREW

LIST OF PARTS NOT SHOWN

23	4212825	1	POWER CORD DOM
24	4215947	1	HEATER WIRE
25	4216642	1	INSTRUCTION DECAL
26	4216643	1	INSERT MONEY RIGHT DECAL
27	4216647	1	SIDE PANEL DECAL/MULTI-ZONE
28	4215319	1	EXTERNAL MDB CABLE (USD)
29	4215780	1	MDB CABLE (GVC2)

DOOR ASSEMBLY



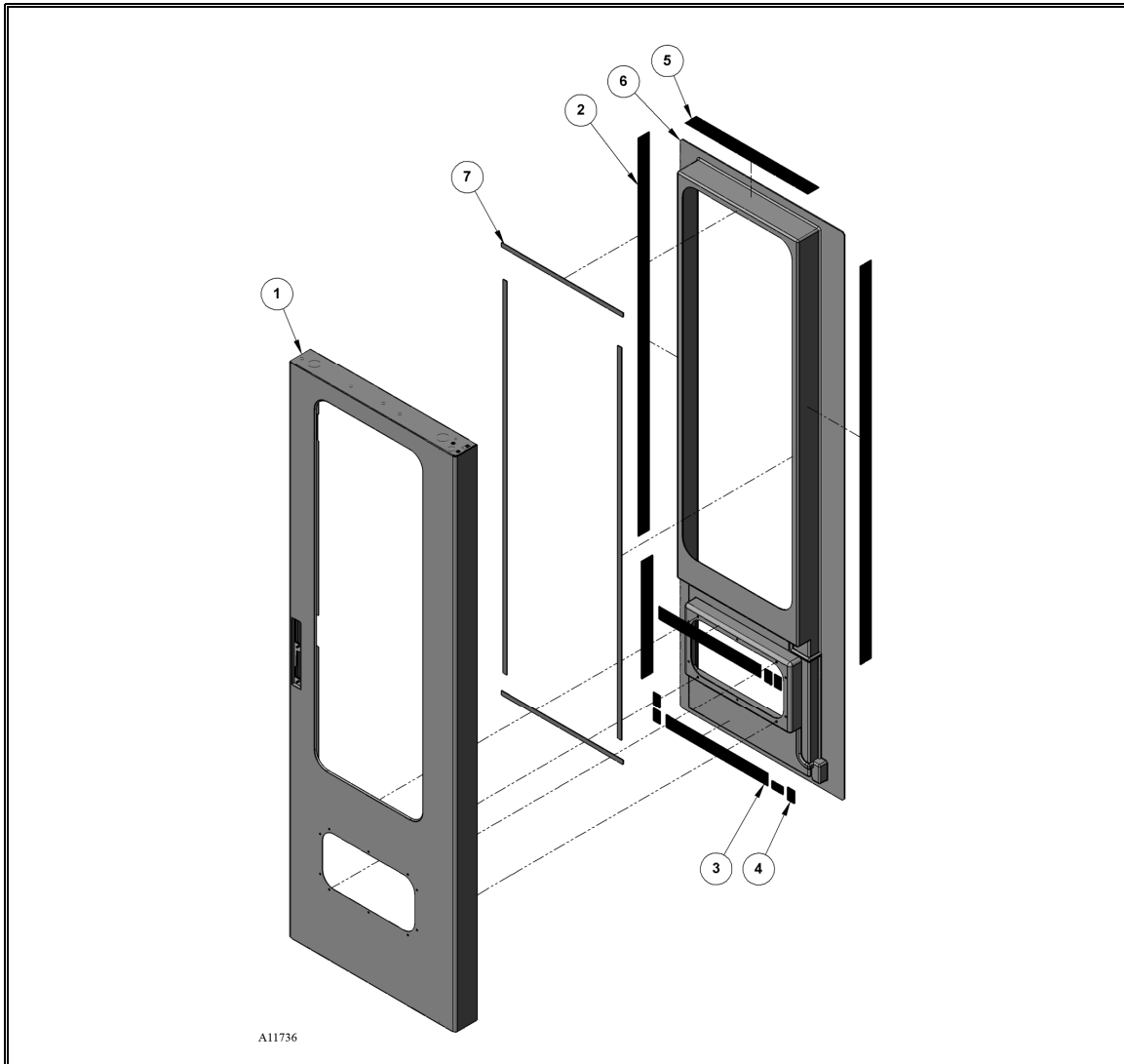
DOOR ASSEMBLY PARTS LIST

ITEM NO.	PART NUMBER	QTY	DESCRIPTION
1	SEE PAGE #5	1	DOOR FOAM ASSEMBLY
2	SEE PAGE #6	1	DELIVERY DOOR ASSEMBLY
3	SEE PAGE #9	1	LED SIDE ASSEMBLY
4	4050180	50	8-18 X 1/2 PHIL PH TEK
5	4050423	3	8-18 X 3/8 PHIL PH TY-A
6	4208565	AR	DOUBLE SIDED TAPE
7	4209845	AR	PROTECTIVE WINDOW SEAL 1/2"
8	4210421.002	9	1/4 " RIVET
9	4212271	1	WINDOW RETAINER
10	4212505	12	#8 – 3/4 PHIL PAN HEAD TEK
11	4212550.001	1	DOOR MAGNET GASKET
12	4212616.001	1	HINGE BRACKET PLATED RIGHT
13	4212616.002	1	HINGE BRACKET PLATED LEFT
14	4212623	1	WIRE COVER
15	4212681	10 FT	FOAM GASKET 1/2 X 1
16	4212688	1	DELIVERY COVER
17	4212759.001	1	PRODUCT DEFLECTOR
18	4212840	1	PRODUCT DEFLECTOR OVERLAY
19	4212909	5	1/4-20 X 1/2 BUTTON HEAD TORX
20	4212937.016	5	THREADED INSERT, 1/4-20
21	4215971	1	DOOR HANDLE
22	4216355	1	WINDOW RETAINER BOTTOM
23	4216630	1	LATCH TONGUE
24	4216631	1	LATCH TONGUE SPACER
25	4216635	1	DELIVERY ANTI - CHEAT RIGHT
26	4216636	1	DELIVERY ANTI – CHEAT LEFT
27	8330164	2	8-32 THUMB NUT - BRASS
28	8800406	2	10-32 X 1/2 PHIL PH W/ETW

LIST OF PARTS NOT SHOWN

29	R.3994	1.5 FT	SEAL – MASTIC PERMAGUM
30	4215945	1	DOOR POWER HARNESS
31	4216696	2	TOP LED JUMPER HARNESS

DOOR FOAM ASSEMBLY



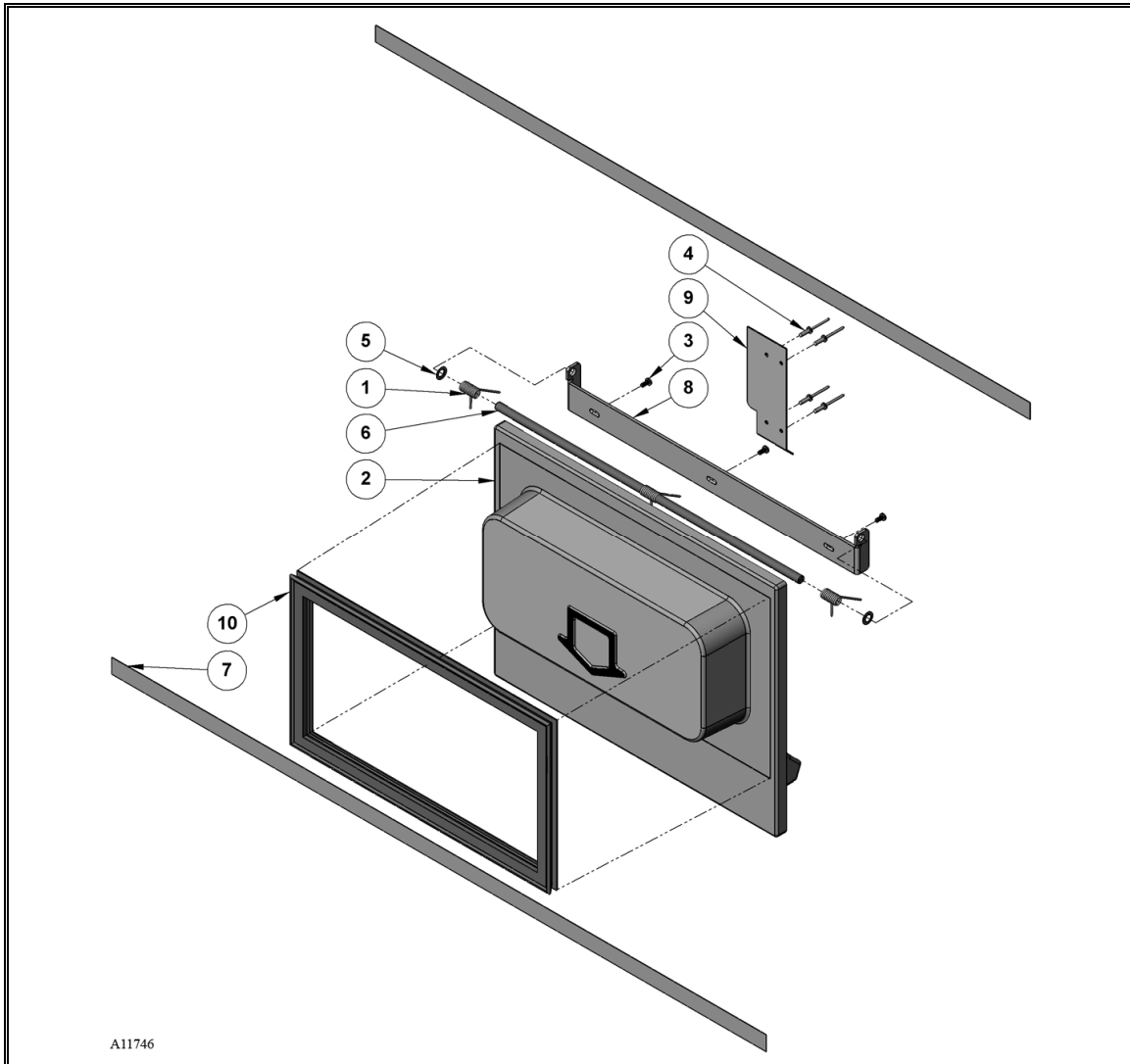
DOOR FOAM ASSEMBLY PARTS LIST

ITEM NO.	PART NUMBER	QTY	DESCRIPTION
1	1217345	1	DOOR WELD
2	4212400	2	DOOR BACKING PLATE FC 45"
3	4212400.001	3	DOOR BACKING PLATE FC 13"
4	4212400.002	6	DOOR BACKING PLATE FC 1.4"
5	4212400.003	1	DOOR BACKING PLATE FC 16"
6	4216089	1	DOOR LINER
7	4209845	AR	PROTECTIVE WINDOW SEAL 1/2 "

LIST OF PARTS NOT SHOWN

8	R.4024	AR	FOAM COPONENT
9	R.4025	AR	FOAM COPONENT

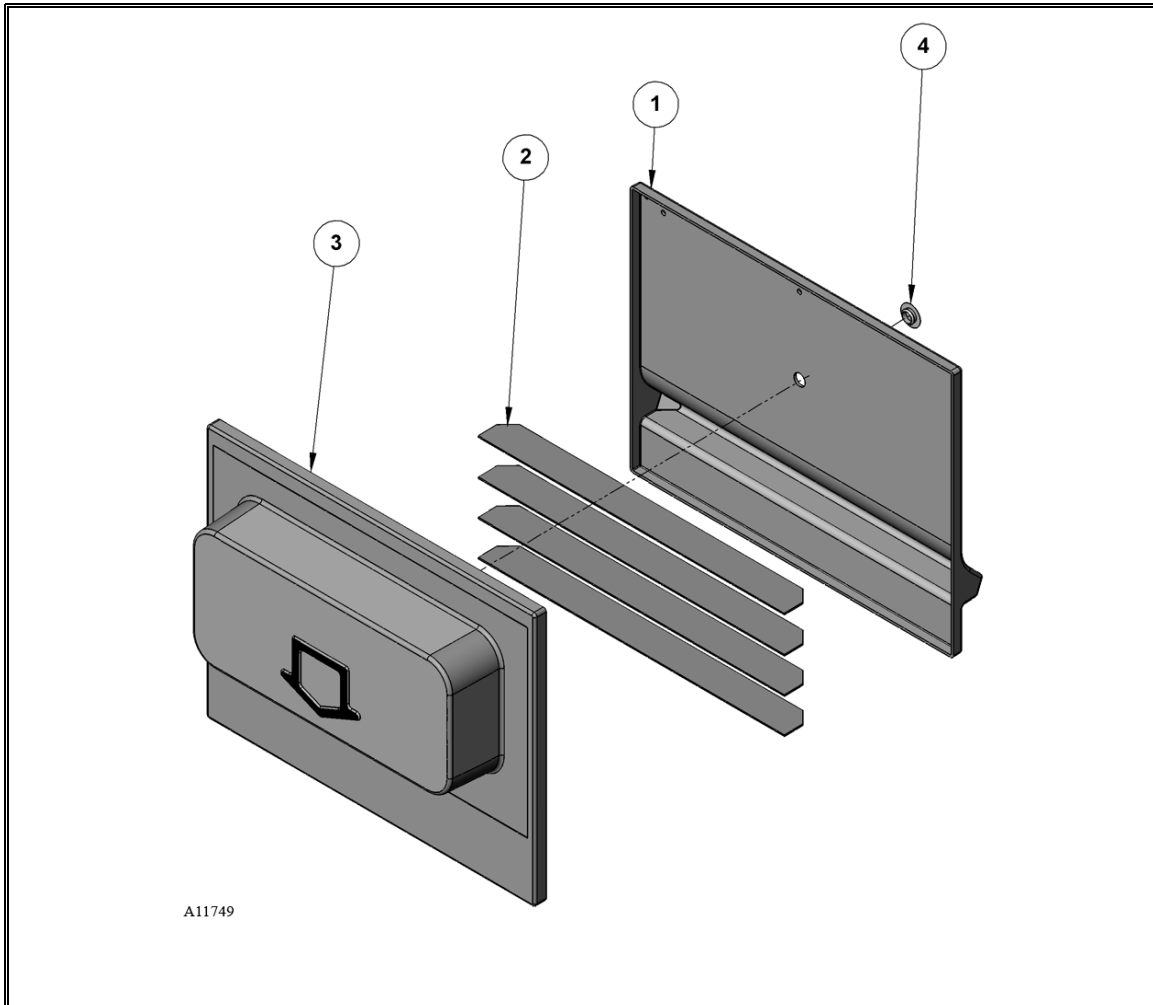
DELIVERY DOOR ASSEMBLY



DELIVERY DOOR ASSEMBLY PARTS LIST

ITEM NO.	PART NUMBER	QTY	DESCRIPTION
1	1216237	3	MODIFIED SPRING
2	SEE PAGE #7	1	DELIVERY DOOR FOAM ASSEMBLY
3	4050180	3	8-18 X 1/2 PHIL PH TEK
4	4050667	4	1/8 X 1/4 ALUM POP RIVET
5	4203398	2	WASHER – PUSH/.312
6	4203399.001	1	SHAFT – DELIVERY
7	4208565	AR	DOUBLE SIDED TAPE 3/4"
8	4212617	1	HINGE PLATE DELIVERY DOOR
9	4212690	1	DELIVERY DOOR FILLER
10	4212753	1	DELIVERY DOOR GASKET

DELIVERY DOOR FOAM ASSEMBLY



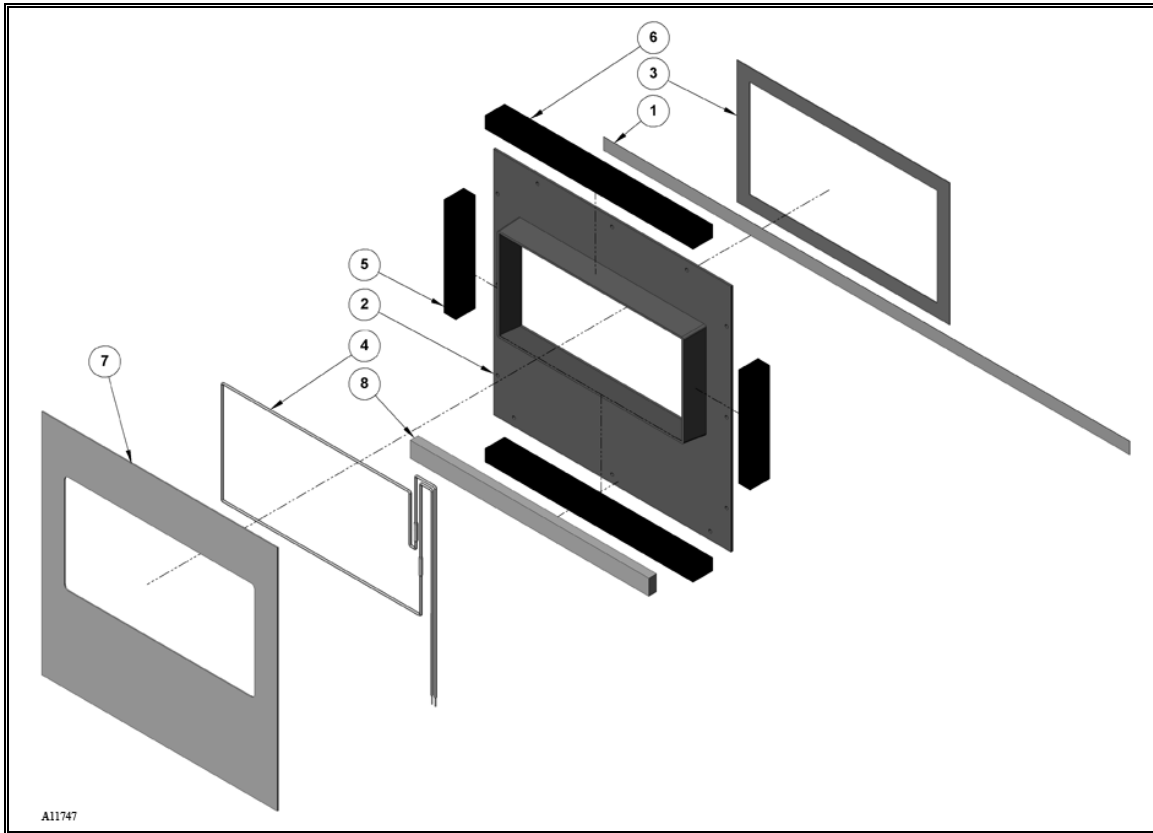
DELIVERY DOOR FOAM ASSEMBLY PARTS LIST

ITEM NO.	PART NUMBER	QTY	DESCRIPTION
1	4212609	1	DELIVERY DOOR BACK
2	42126018	4	DELIVERY DOOR WEIGHT
3	4216090	1	DELIVERY DOOR FRONT
4	7250135.001	2	HOLE PLUG, BPF ½"

LIST OF PARTS NOT SHOWN

5	R.4024	AR	FOAM COMPONENT
6	R.4025	AR	FOAM COMPONENT

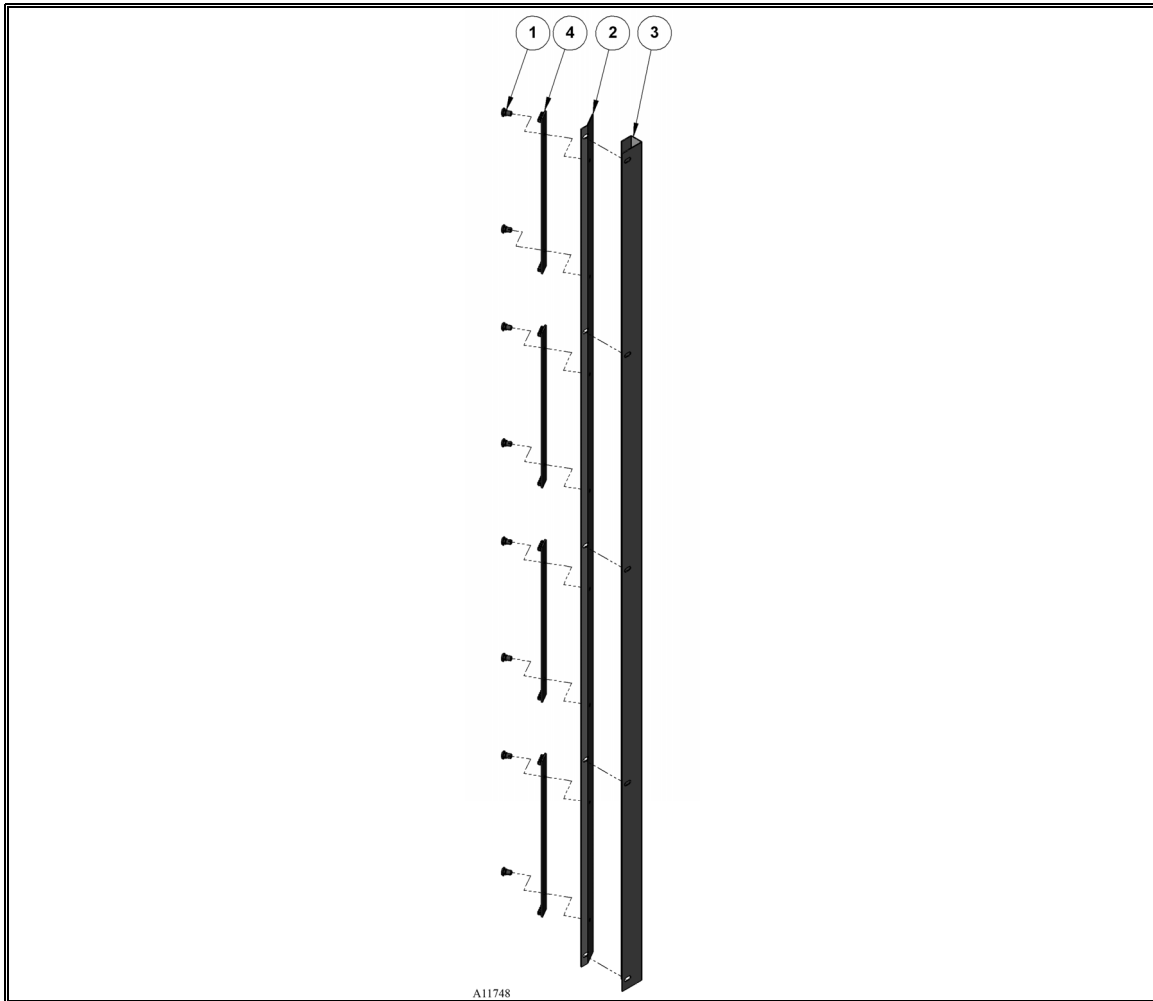
TRANSITION ASSEMBLY



TRANSITION ASSEMBLY PARTS LIST

ITEM NO.	PART NUMBER	QTY	DESCRIPTION
1	4208565	AR	DOUBLE SIDED TAPE 3/4"
2	4212374	1	TRANSITION PORT
3	4212388	1	GASKET PLATE BLACK
4	4212576	1	REPL-HE-HEATER WIRE TRANSITION
5	4212650.001	2	3/4 X 1.25 EPDM FOAM TAPE
6	4212650.002	2	3/4 X 1.25 EPDM FOAM TAPE
7	4212776	1	TRANSITION GASKET
8	4212681	AR	FOAM GASKET 1/2 X 1"

LED SIDE ASSEMBLY



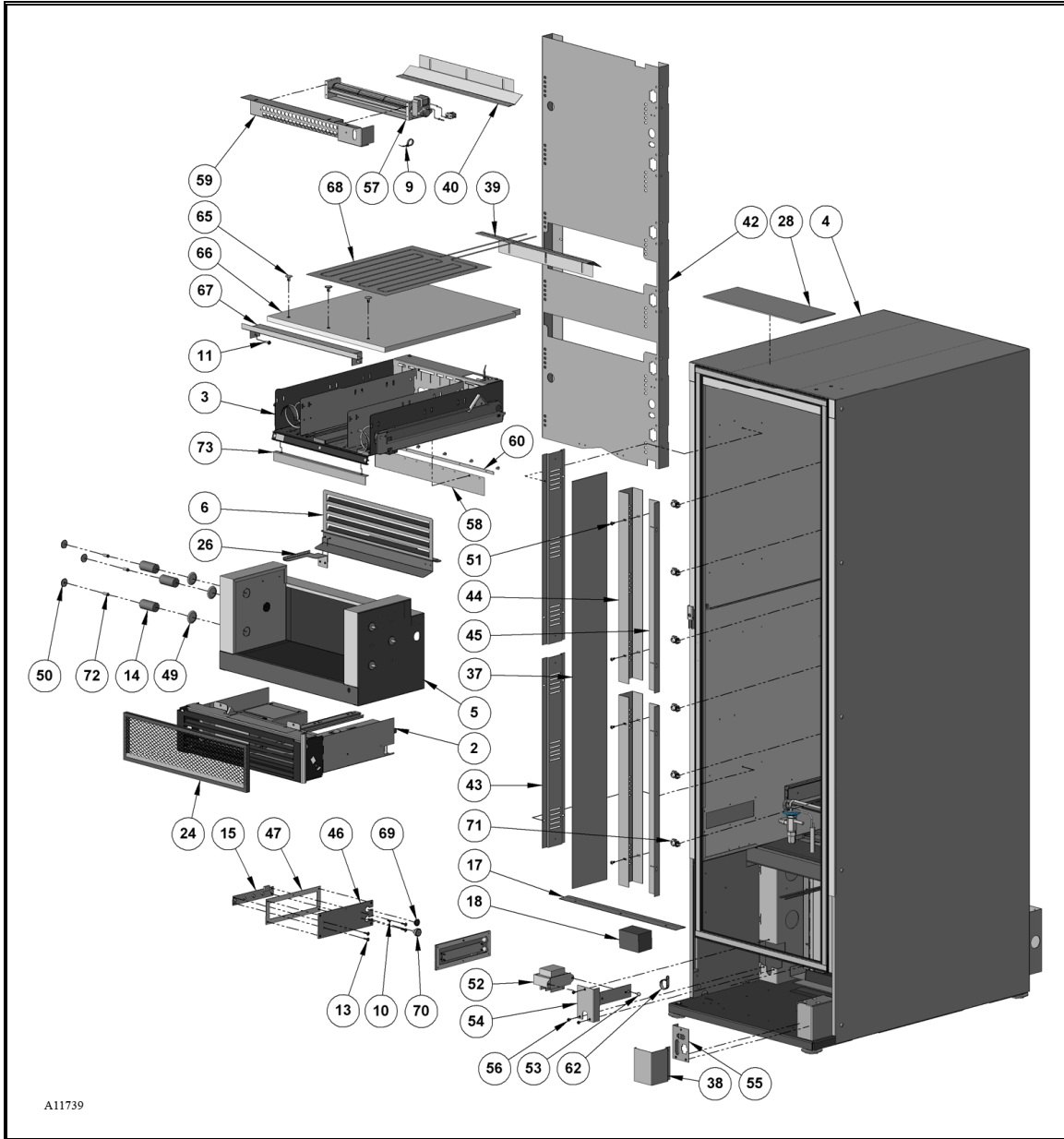
LED SIDE ASSEMBLY PARTS LIST

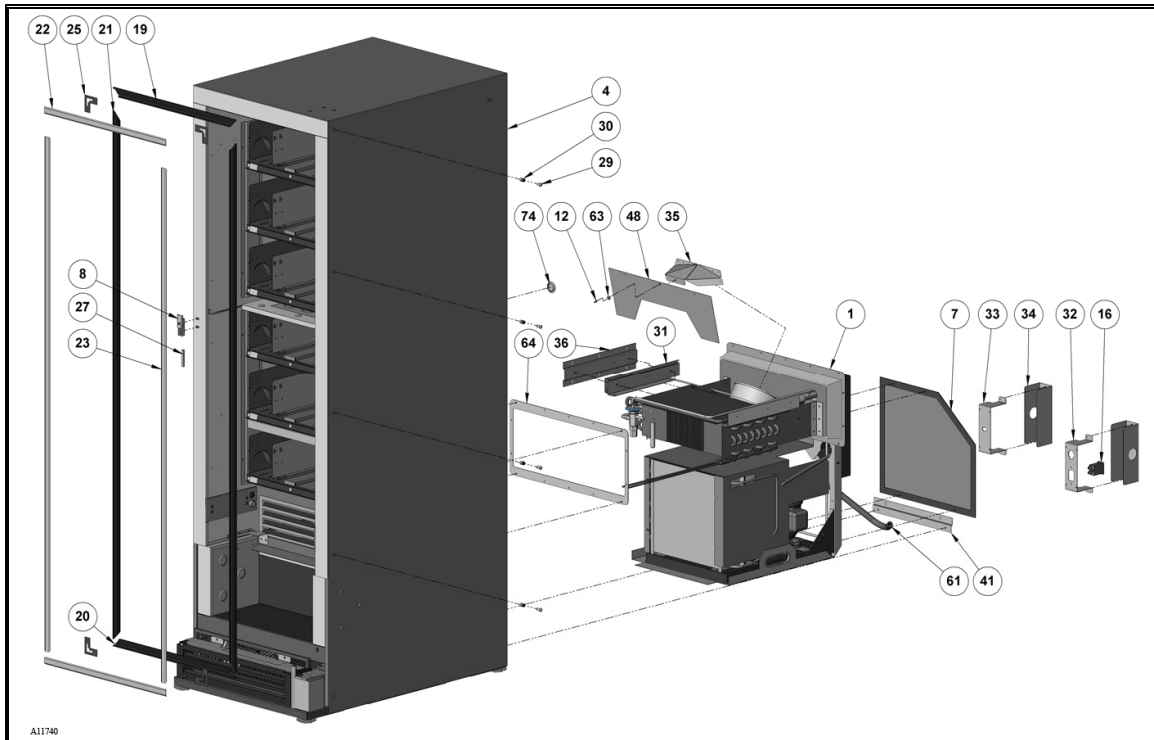
ITEM NO.	PART NUMBER	QTY	DESCRIPTION
1	4215561.014	16	SNAP RIVET BLACK 1/8
2	4216494	2	ANGLE BRACKET SIDE MOUNT
3	4216495	2	SIDE MOUNTING BRACKET
4	4216544	8	LED LIGHT ENGINE

LIST OF PARTS NOT SHOWN

5	4216691	8	TAB WIRE ASSEMBLY
6	4216693.004	12	20 GA WIRE/BLACK-3.75"

CABINET ASSEMBLY





CABINET ASSEMBLY PARTS LIST

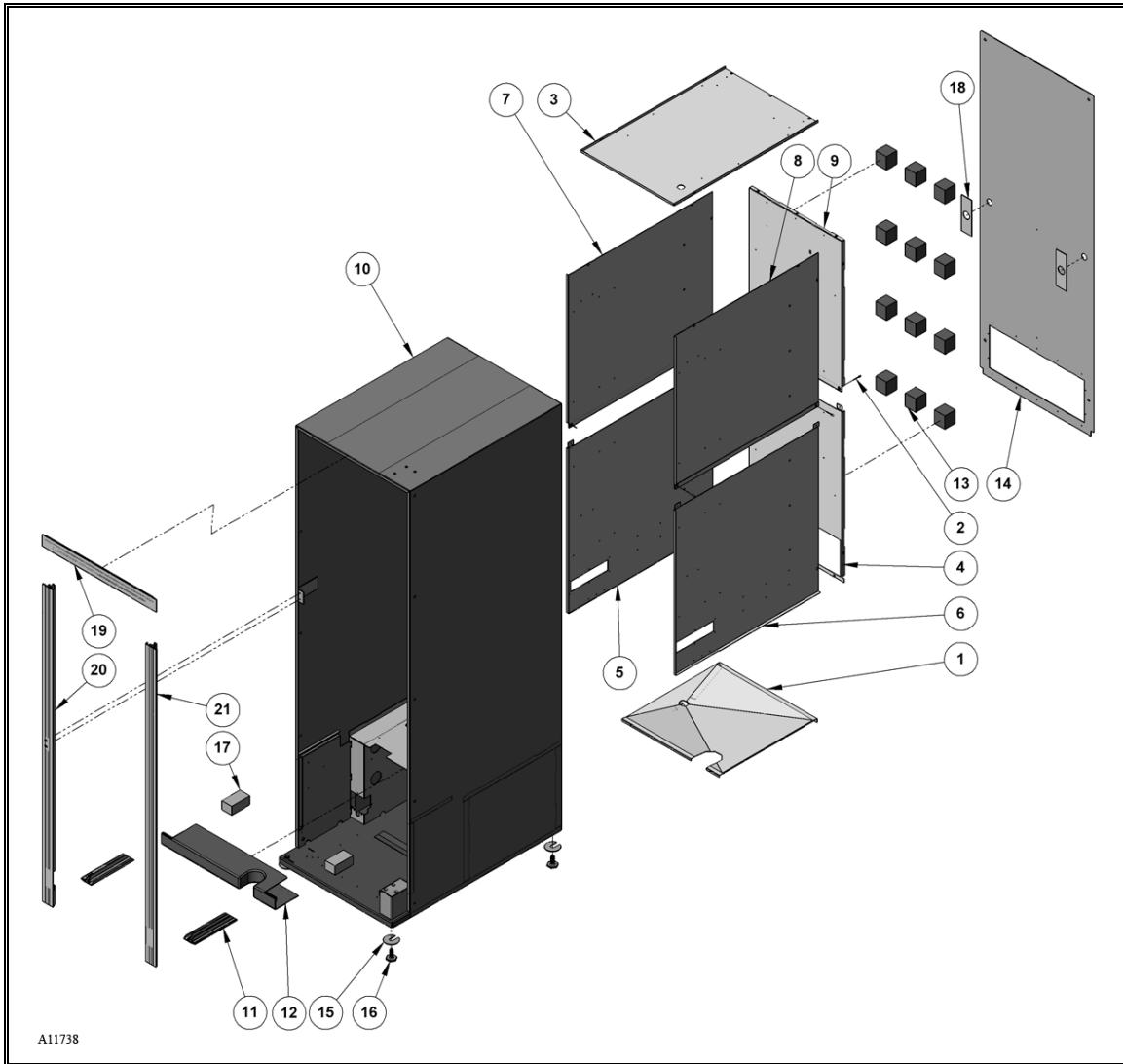
ITEM NO.	PART NUMBER	QTY	DESCRIPTION
1	SEE PAGE #20	1	REFERIGERATION ASSEMBLY
2	SEE PAGE #18	1	ELECTRICAL PANEL ASSEMBLY
3	SEE PAGE #16	6	MZF TRAY CFG #2262
4	SEE PAGE #14	1	CABINET FOAM ASSEMBLY
5	SEE PAGE #22	1	DELIVERY FOAMED BOX ASSEMBLY
6	1216166	1	DELIVERY EVAPORATOR COVER BLACK
7	1217131	1	BACK SCREEN WELD
8	1217510	1	LATCH MOUNT WELD
9	4033712	3	CABLE TIE 7 3/8"
10	4050120	2	6-32 X 5/16 PHIL PH TYP
11	4050202	37	8-18 X 1/2 PHIL HWH TEK
12	4050667.001	3	1/8 X 1/8 POP RIVET
13	4211310.375	8	STANDOFF
14	4212396	8	HINGE HOLE PLUG
15	4212464.012	1	DELIVERY SENSOR
16	4212490.002	1	RFI FILTER IEC SOCKET 15A
17	4212504	1	SEAL HOLD DOWN
18	4212538	1	CAB SEAL INSULATION
19	4212547	1	EXTRUSION OVERLAY TOP
20	4212547.005	1	EXTRUSION OVERLAY BOTTOM
21	4212547.007	2	EXTRUSION OVERLAY SIDE
22	4212548	2	MAGNET TRIM TOP & BOTTOM
23	4212548.004	2	MAGNET TRIM SIDE
24	4212630.001	1	AIR FILTER 5.25

25	4212666	4	EXTRUSION COVER
26	4212691	1	LEFT DELIVERY BOX FILTER
27	4212785	14 FT	FOAM TAPE 1/4 X 1/4
28	4212808	1	MIRRORED PLEXIGLASS TOP
29	4212909	14	1/4-20 X 1/2 BUTTON HEAD TORX
30	4212937.016	19	THREADED INSERT, 1/4 -20
31	4214745	2	DRAWER SLIDE
32	4215385	1	POWER CORD BRACKET
33	4215385.001	1	USD BRACKET
34	4215396	2	UMBILICAL COVER
35	4215502	1	COLD AIR DUCT COVER
36	4215504	2	SLIDE SPACER
37	4215526	2	MIRRORED PLEXIGLASS
38	4215568	1	HINGE RISER COVER
39	4216295	1	AIR DEFLECTOR
40	4215952	1	AIR DEFLECTOR
41	4215592	1	REFER BASE TOP
42	4216138	1	COLD AIR DUCT
43	4216139	2	LEFT RAIL SUPPORT
44	4216140	2	RAIL SUPPORT RIGHT
45	4216141	2	RIGHT PANEL BRACKET
46	4216144	2	SENSOR COVER
47	4216145	2	SENSOR COVER GASKET
48	4216377	1	EVAPORATOR FAN CURTAIN
49	7250135.002	8	HOLE PLUG, BPF - 1"
50	8330213.001	6	#10 FENDER WASHER
51	8800638	6	10 -16 X 3/8 PHIL PH
52	4206570	1	TRANSFORMER, 110V INPUT/24V
53	4214496	1	RUBBER BUMPER
54	4215614	1	TRANSFORMER MOUNT
55	4215656	1	CONNECTION COVER
56	4050420	AR	8-18 X 1/4 PHIL HWH TYP
57	4214257	1	CROSS FLOW BLOWER/30mm
58	4215055	1	AIR GAP CURTAIN / 3W
59	4216175	1	UPPER BLOWER MOUNT
60	4215527	1	AIR CURTAIN RETAINER
61	4025410.500	1	TUBING-MAYON RAW
62	4060134	1	PLASTIC WIRE CLAMP 1"
63	8801011	3	#8 FLAT WASHER
64	4216599	1	EVAPORATOR PLUG GASKET
65	4215939	6	BARBED RIVET
66	4215953	1	INSULATION BARRIER
67	4215954	1	FRONT BARRIER BRACE
68	4214225.002	1	FOIL HEATER/110VAC - 240WATT
69	4216202	1	I - VEND HOLE PLUG
70	4216201	3	I - VEND GROMMET
71	4203468	6	SNAP - IN CLIP
72	8810017	6	10-16 X 5/8 HWH TEK SCREW
73	4216594	1	MZF ZONE INDENT HOLDER
74	7250135.008	2	HOLE PLUG, BPF - 5/8"

LIST OF PARTS NOT SHOWN

75	R.3994	AR	SEAL – MASTIC PERMAGUM
76	4212628	2 LB	FREON (R404)
77	4214684	1	TEMP SENSOR CABINET
78	4216652	1	MOTOR/SENSOR/RELAY HARNESS
79	4216717	1	MULTI – FUNCTION CAB HARNESS

CABINET FOAM ASSEMBLY



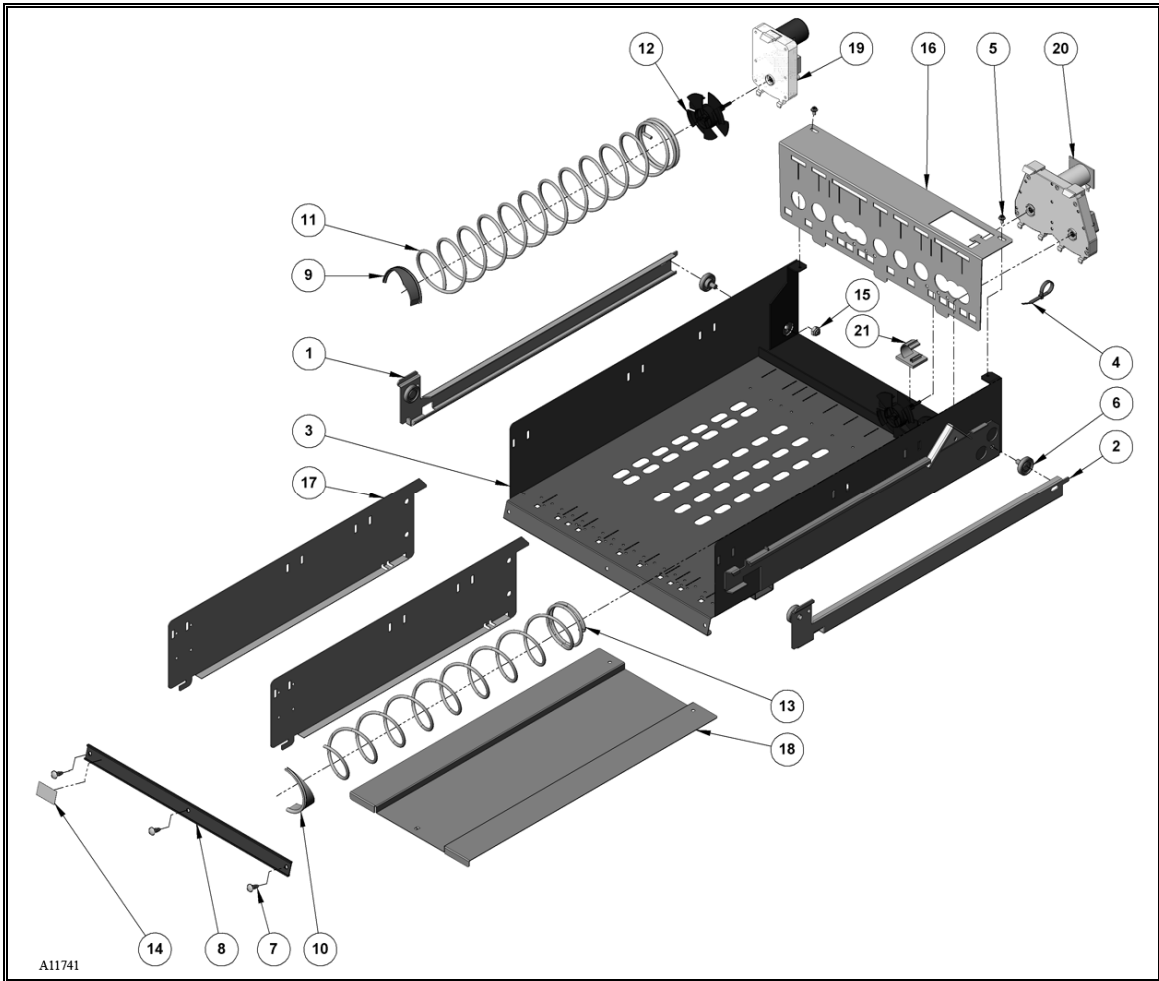
CABINET FOAM ASSEMBLY PARTS LIST

ITEM NO.	PART NUMBER	QTY	DESCRIPTION
1	1217400	1	LINER BASE WELD
2	4050663	6	1/8 X 1/4 RIVET
3	4212160	1	LINER TOP
4	4215487	1	LINER BACK BOTTOM
5	4215505	1	LINER SIDE LEFT
6	4215505.001	1	LINER SIDE RIGHT
7	4216362	1	LINER SIDE TOP LEFT
8	4216362.001	1	LINER SIDE TOP RIGHT
9	4216363	1	LINER BACK TOP
10	1217351	1	CABINET WELD MZF
11	4212351.003	2	BOTTOM CAB EXTRUSION
12	4212352	1	CABINET SEAL FRONT
13	4212397.001	16	STAND OFF BLOCK 2 1/4 "
14	4215488	1	CABINET BACK
15	4009927	4	5/8 LEG LEVELLER WASHER
16	4060310	4	LEG LEVELLER
17	4210138	2	LINER SUPPORT
18	4212066	2	BACK FOAM PLATE
19	4212351	1	TOP CABINET EXTRUSION
20	4212351.005	1	LEFT CABINET EXTRUSION
21	4212351.006	1	RIGHT CABINET EXTRUSION

LIST OF PARTS NOT SHOWN

22	R.4024	1	FOAM COMPONENT
23	R.4025	1	FOAM COMPONENT

MZF TRAY ASSEMBLY



MZF TRAY ASSEMBLY PARTS LIST

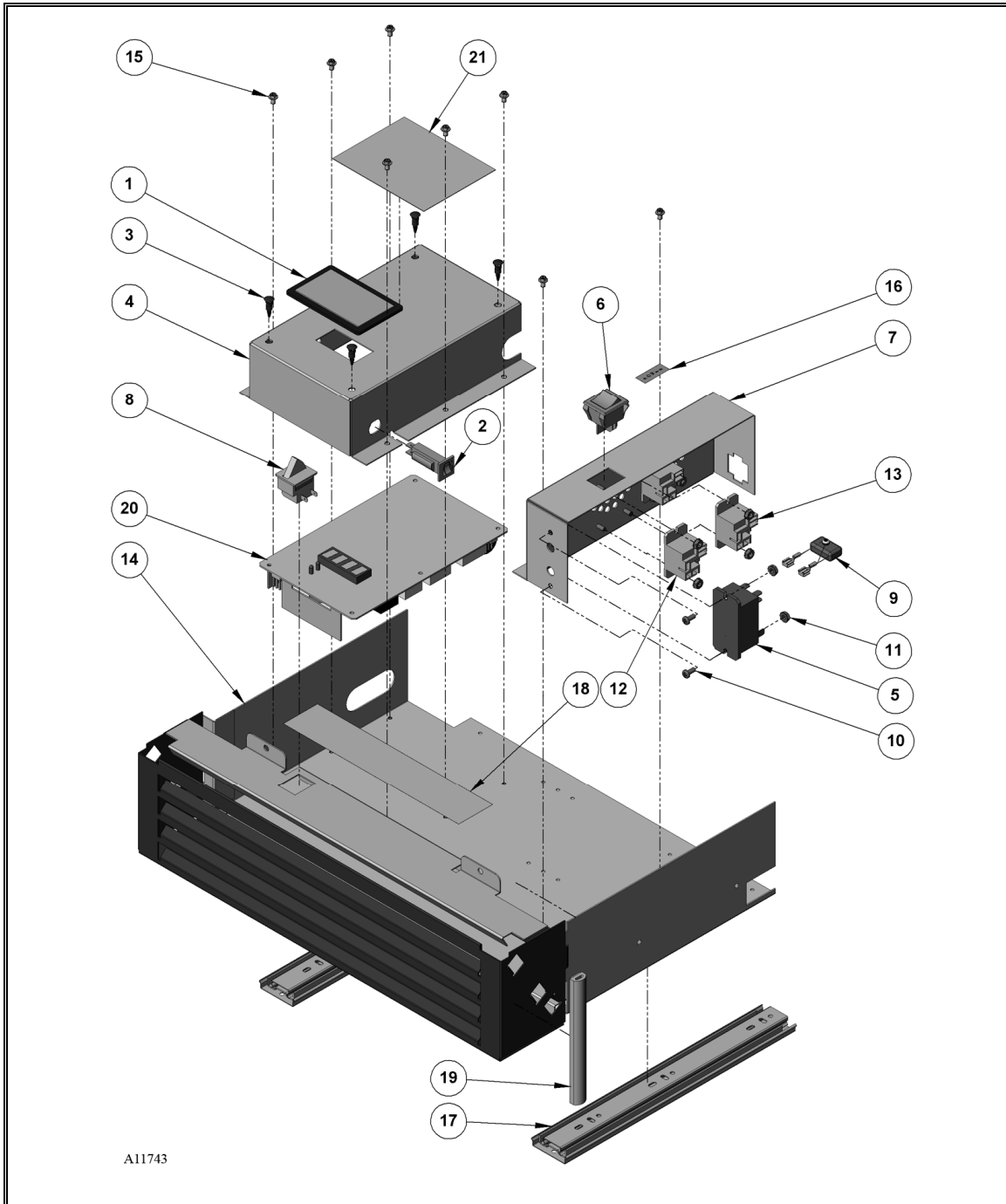
ITEM NO.	PART NUMBER	QTY	DESCRIPTION
1	1200321.006	AR	SIDE RAIL RIVET ASSEMBLY LEFT
2	1200321.007	AR	SIDE RAIL RIVET ASSEMBLY RIGHT
3	1217350	AR	TRAY WELD
4	4033712	AR	CABLE TIE 7 3/8"
5	4050420	AR	8-18 X 1/4 PHIL HWH TYP
6	4060670.001	AR	ROLLER
7	4205329	AR	ARROW CLIP
8	4207945.001	AR	LABEL HOLDER
9	4025748	AR	PRODUCT EJECTORS – CCW - BLACK
10	4025748.002	AR	PRODUCT EJECTORS – CW - BLACK
	4200272.113309	AR	AUGER, 11 COUNT, CANDY, SHORT, BLK
11	4211397.001309	AR	AUGER, 8 COUNT, CANDY, CCW, BLK
	4211397.023309	AR	AUGER, 5 COUNT, CANDY, CCW, BLK
	4211397.014309	AR	AUGER, 5COUNT, SNACK, CCW, BLK (OPTIONAL)
12	4209502	AR	AUGER COUPLING GRAY
13	4211398. 023309	AR	AUGER, 5 COUNT, DUAL, CW, BLK
14	4216525	AR	SELECTION IDENTIFICATION
15	4216407	AR	¼-20 NYLON INSERT NUT
16	4212580	AR	MOTOR BACK
17	4209261.002	AR	TRAY DIVIDER
18	4207903	AR	DUAL HELIX RETAINER
19	4214967	AR	MOTOR SPINDLE FROZEN FAST
20	4214966.002	AR	DUEL MOTOR/LOW TEMP.
21	8370959	AR	CLIP

LIST OF PARTS NOT SHOWN

22	4215678	AR	TRAY HARNESS
23	4200052	AR	PRICE LABEL .10 – 1.50
24	4203793.001	AR	DOLLAR LABEL - \$1
25	4203793.002	AR	DOLLAR LABEL - \$2

AR - As required

ELECTRICAL PANEL ASSEMBLY



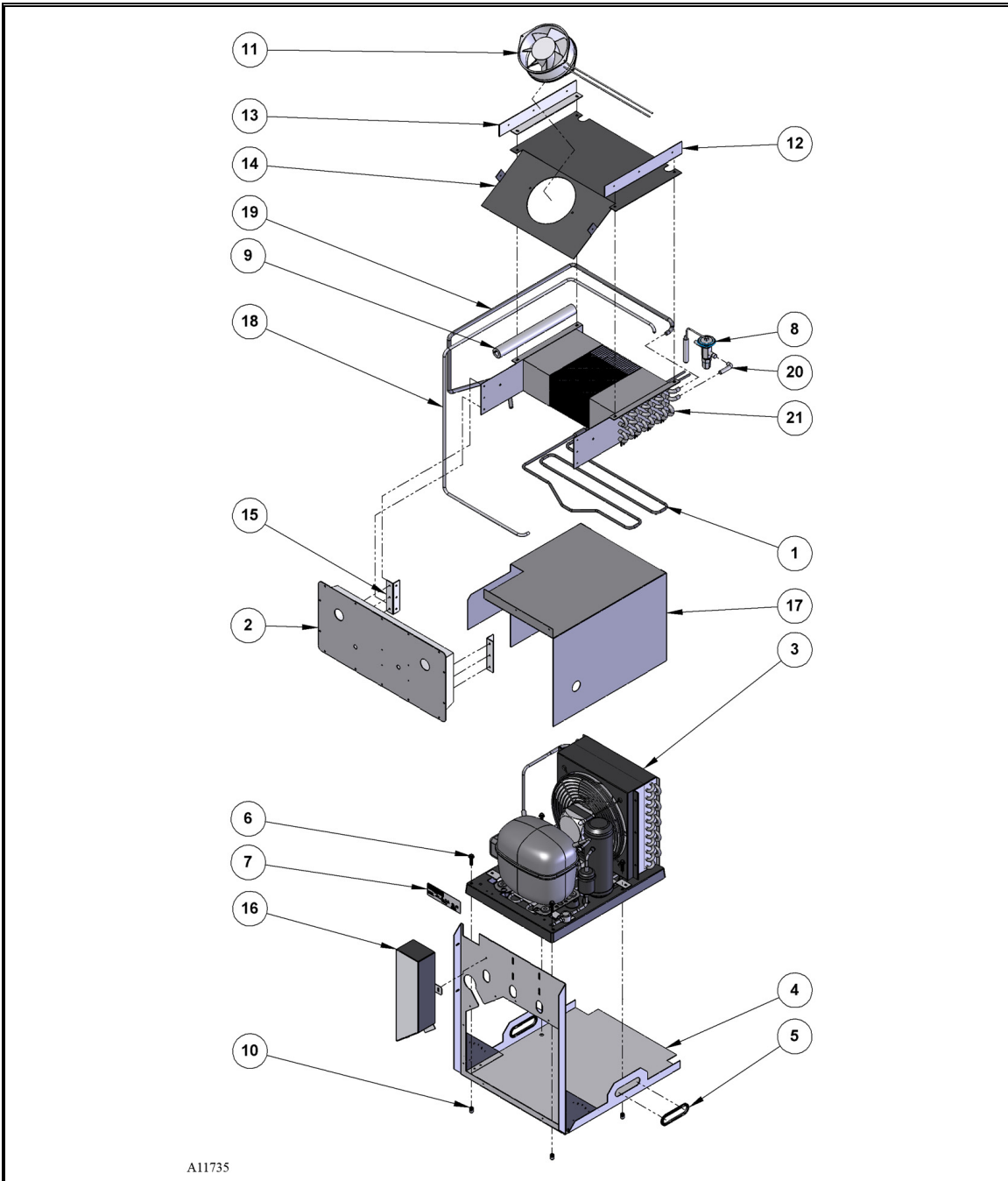
ELECTRICAL PANEL ASSEMBLY PARTS LIST

ITEM NO.	PART NUMBER	QTY	DESCRIPTION
1	4202841.009	1	READOUT WINDOW/BLUE
2	4203467.003	1	3 AMP CIRCUIT BREAKER
3	4206879	4	BOARD STANDOFF- 3/8"
4	4215016	1	BOARD COVER
5	4206643	1	RELAY DISPLAY 24VAC/DC30A
6	4213627	1	SWITCH DOUBLE POLE
7	4216293	1	SWITCH /RELAY PANEL
8	4216703	1	DOOR SWITCH
9	1216357	1	ARC SUPPRESSOR SNUBBER 110V
10	4050240	17	8-32 X 3/8 PHIL PH MS
11	8800956	9	8-32 HEX NUT W/ETW
12	4216013	2	MINI RELAY, SPST, 24VDC
13	4216690	1	MINI RELAY, SPST, 24VDC
14	1217124	1	ELECTRICAL PANEL WELD
15	4050420	17	8-18 X 1/4 PHIL HWH TYP
16	4212527	1	POWER LABEL
17	4214745	2	DRAWER SLIDE
18	4212677	1	DUST FILTER LABEL
19	4213532	1 FT	D GASKET
20	4215386	1	CONTROL BOARD GVC - USD
21	4215596.002	1	USD BOARD COVER LABEL/MZF

LIST OF PARTS NOT SHOWN

22	4215373.001	1	DOOR SWITCH HARNESS 14"
23	4215908	1	SECONDARY POWER/MBD CABLE
24	4216716	1	RELAY BOX HARNESS

REFRIGERATION ASSEMBLY



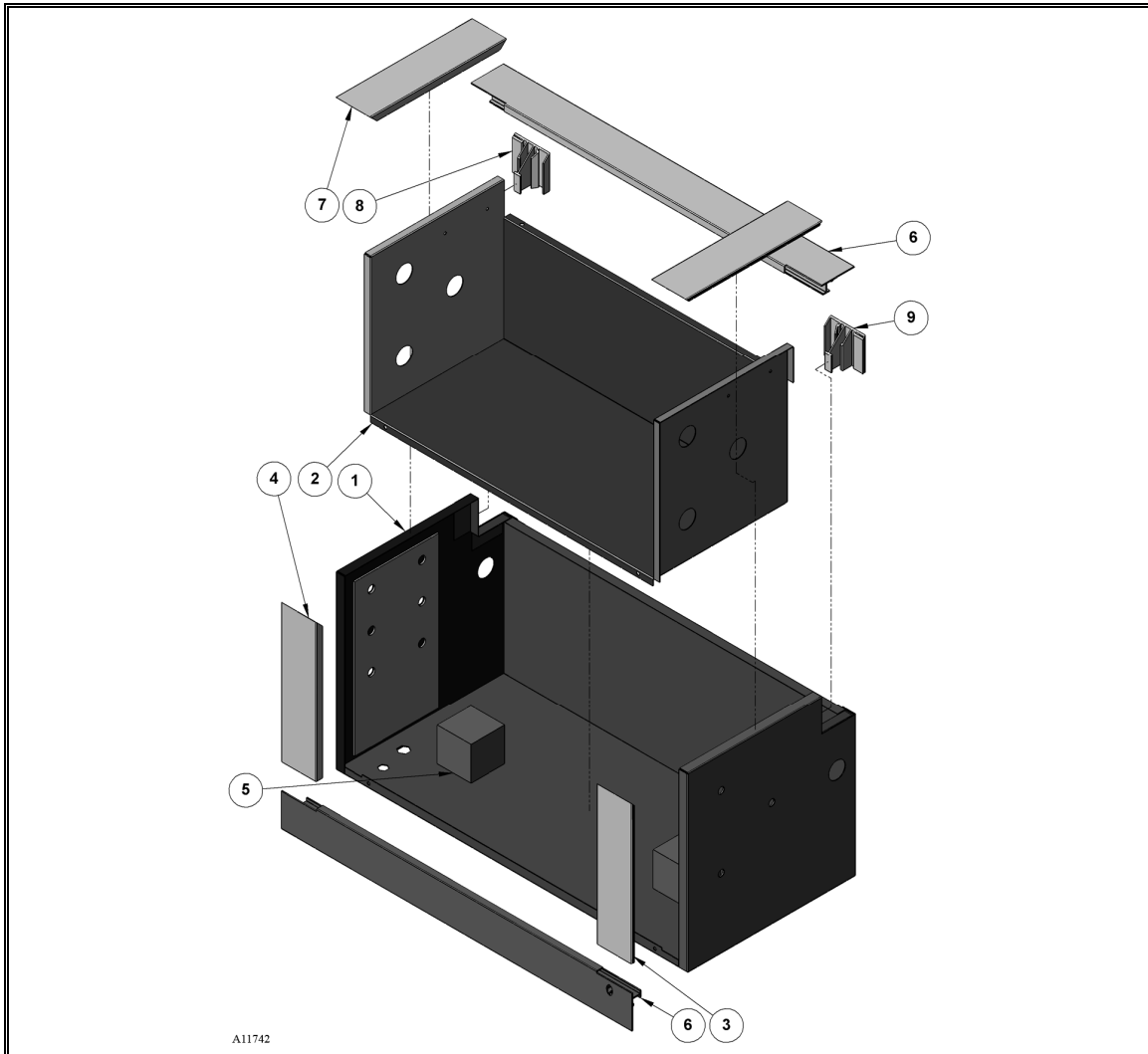
REFRIGERATION ASSEMBLY PARTS LIST

ITEM NO.	PART NUMBER	QTY	DESCRIPTION
1	1216448	1	EVAPORATOR HEATER TERMINAL
2	1217083	1	EVAPORATOR CAB PLUG
3	1217206	1	CONDENSING UNIT
4	1217209	1	REFER BASE WELD
5	4033652	2	EXTRUDED GROMMET 4"
6	4050776	4	1/4 -20 X 1" HEX MACH BOLT
7	4205507.407	1	REFER LABEL
8	4211911	1	EXPANSION VALVE
9	4212656	1	5/8 ID INSULATION TUBING
10	4212937.016	4	THREADED INSERT, 1/4 - 20
11	4214996	1	EVAPORATOR FAN MOTOR/110V
12	4215478	1	ANGLE BRACKET
13	4215478.001	1	ANGLE BRACKET
14	4215481	1	EVAPORATOR FAN MOUNT
15	4215512	1	BRACKET
16	4215591	1	SUCTION LINE COVER
17	4215653	1	COMPRESSOR COVER
18	4215850	1	1/4 OD COPPER TUBE
19	4215851	1	3/8 OD COPPER TUBE
20	4215852	1	3/8 OD COPPER TUBE
21	4216468	1	EVAPORATOR COIL

LIST OF PARTS NOT SHOWN

22	1216449	1	REPL – HEATER WIRE
23	4216323	1	EVAPORATOR/ REFER POWER HARNESS
24	4214683	1	TEMPERATURE SENSOR REFRIGERATION LINE
25	4213038	1	THERMOCOUPLE
26	4214684	1	TEMPERATURE SENSOR - CABINET
27	4213784	6	PUSH BUTTON WIRE TIE

DELIVERY FOAM BOX ASSEMBLY



DELIVERY FOAM BOX ASSEMBLY PARTS LIST

ITEM NO.	PART NUMBER	QTY	DESCRIPTION
1	1216004	1	DELIVERY FOAM BOX, OUTER
2	1216005	1	DELIVERY FOAM BOX, INNER
3	4212355.001	1	RIGHT DELIVERY BOX EXTRUSION
4	4212355.002	1	LEFT DELIVERY BOX EXTRUSION
5	4212397	2	STAND OFF BLOCK
6	4212489	2	DELIVERY BOX EXTRUSION BACK
7	4212489.001	2	DELIVERY BOX EXTRUSION TOP
8	4212489.002	1	DELIVERY BOX EXTRUSION LEFT
9	4212489.003	1	DELIVERY BOX EXTRUSION RIGHT

LIST OF PARTS NOT SHOWN

10	R.4024	AR	FOAM COMPONENT
11	R.4025	AR	FOAM COMPONENT

NOTES

The contents of this publication are presented for informational purposes only, and while every effort has been made to ensure their accuracy, they are not to be construed as warranties or guarantees, express or implied, regarding the products or services described herein or their use or applicability. We reserve the right to modify or improve the designs or specifications of such products at any time without notice.

VendNet™
165 North 10th Street
Waukee, Iowa 50263
United States of America



	USA & Canada		International
	Service	(800) 833-4411	(515) 274-3641
Parts	(888) 259-9965		
Email	vendnet@vendnetusa.com		
Web Site	www.vendnetusa.com		