



GLASS FRONT AMBIENT SNACK VENDOR



A12244

MODELS:

3605

3606

PARTS MANUAL

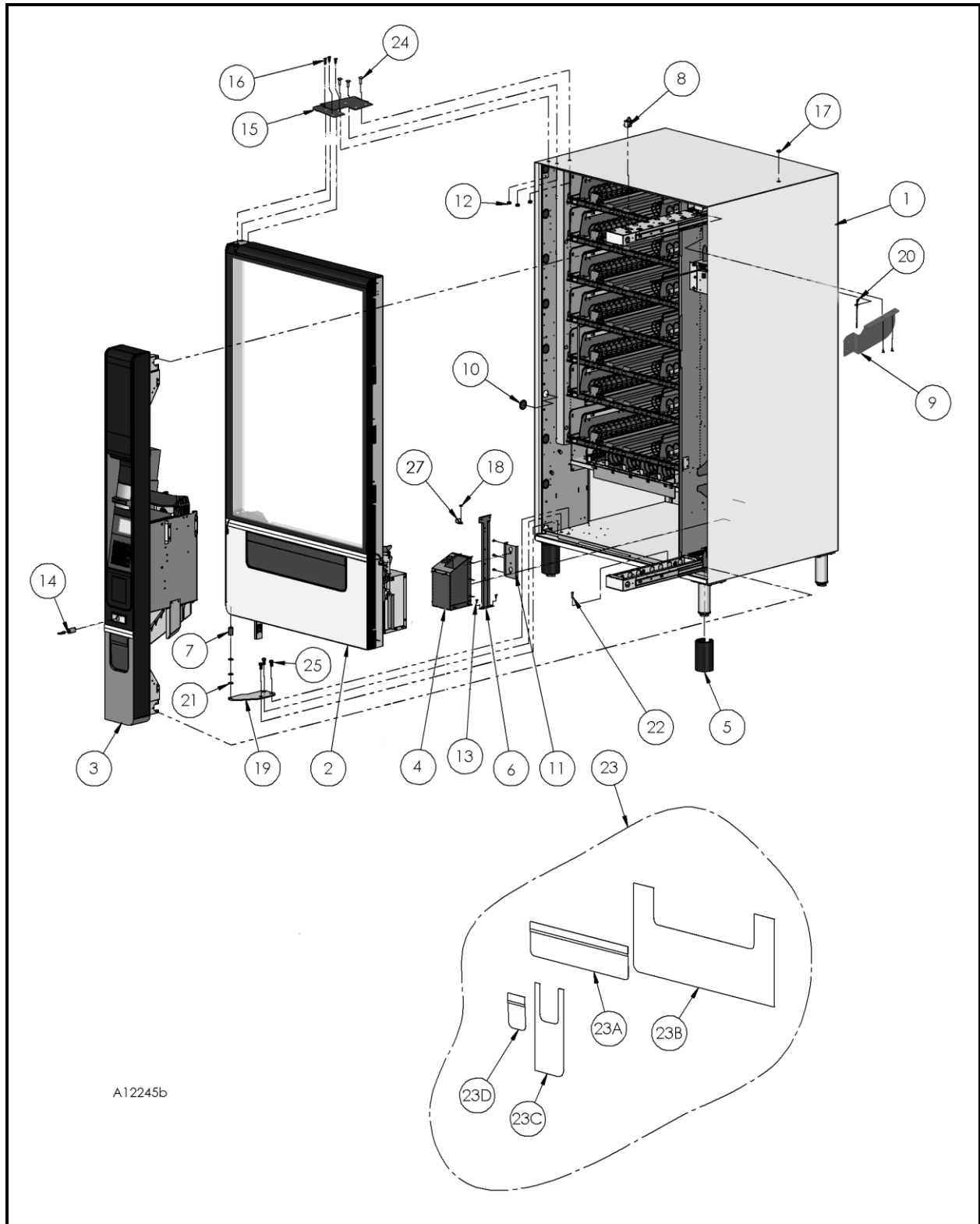
VendNet™

165 North 10th Street
Waukee, IOWA 50263-0488
United States of America

TABLE OF CONTENTS

FINAL ASSEMBLY	1
<i>FINAL ASSEMBLY PARTS LIST</i>	<i>2</i>
SWING DOOR ASSEMBLY	4
<i>SWING DOOR ASSEMBLY PARTS LIST</i>	<i>5</i>
PULLOUT PANEL ASSEMBLY	7
<i>PULLOUT PANEL ASSEMBLY PARTS LIST</i>	<i>7</i>
3.5" DISPLAY & KEYPAD MODULE	9
<i>3.5" DISPLAY & KEYPAD MODULE PARTS LIST</i>	<i>9</i>
10.1" TOUCHSCREEN ASSEMBLY ELECTRONIC PACKAGE	10
<i>10.1" TOUCHSCREEN ASSEMBLY ELECTRONIC PACKAGE PARTS LIST</i>	<i>11</i>
<i>10.1" TOUCHSCREEN UPDATE KIT</i>	<i>11</i>
COSMETIC TREATMENT SUB-ASSEMBLY	12
<i>COSMETIC TREATMENT SUB-ASSEMBLY PART LIST</i>	<i>13</i>
POINT-OF-PURCHASE ASSEMBLY	14
<i>POINT-OF-PURCHASE ASSEMBLY PARTS LIST</i>	<i>14</i>
BOARD MOUNT SUB-ASSEMBLY	15
<i>BOARD MOUNT SUB-ASSEMBLY PARTS LIST</i>	<i>15</i>
COIN RETURN MECHANISM ASSEMBLY	16
<i>COIN RETURN MECHANISM ASSEMBLY PARTS LIST</i>	<i>16</i>
DELIVERY BOX ASSEMBLY	17
<i>DELIVERY BOX ASSEMBLY PARTS LIST</i>	<i>17</i>
CABINET ASSEMBLY	20
<i>CABINET ASSEMBLY PARTS LIST</i>	<i>21</i>
SLIDER BOX ASSEMBLY	23
<i>SLIDER BOX ASSEMBLY PARTS LIST</i>	<i>23</i>
PLASTIC TRAY ASSEMBLY- 5W	24
<i>PLASTIC TRAY ASSEMBLY PARTS LIST</i>	<i>24</i>
METAL SNACK TRAY ASSEMBLY- 6W	26
<i>METAL SNACK TRAY ASSEMBLY PARTS LIST</i>	<i>26</i>
G & M TRAY ASSEMBLY	28
<i>G & M TRAY ASSEMBLY PARTS LIST</i>	<i>29</i>
CONNECTION BOX ASSEMBLY	30
<i>CONNECTION BOX ASSEMBLY PARTS LIST</i>	<i>30</i>
POWER BOX ASSEMBLY	31
<i>POWER BOX ASSEMBLY PART LIST</i>	<i>31</i>
OPTIONAL PARTS	32
<i>OPTIONAL PARTS LIST</i>	<i>32</i>
OPTIONAL SPIRALS FOR 5W	33
OPTIONAL SPIRALS FOR 6W	34

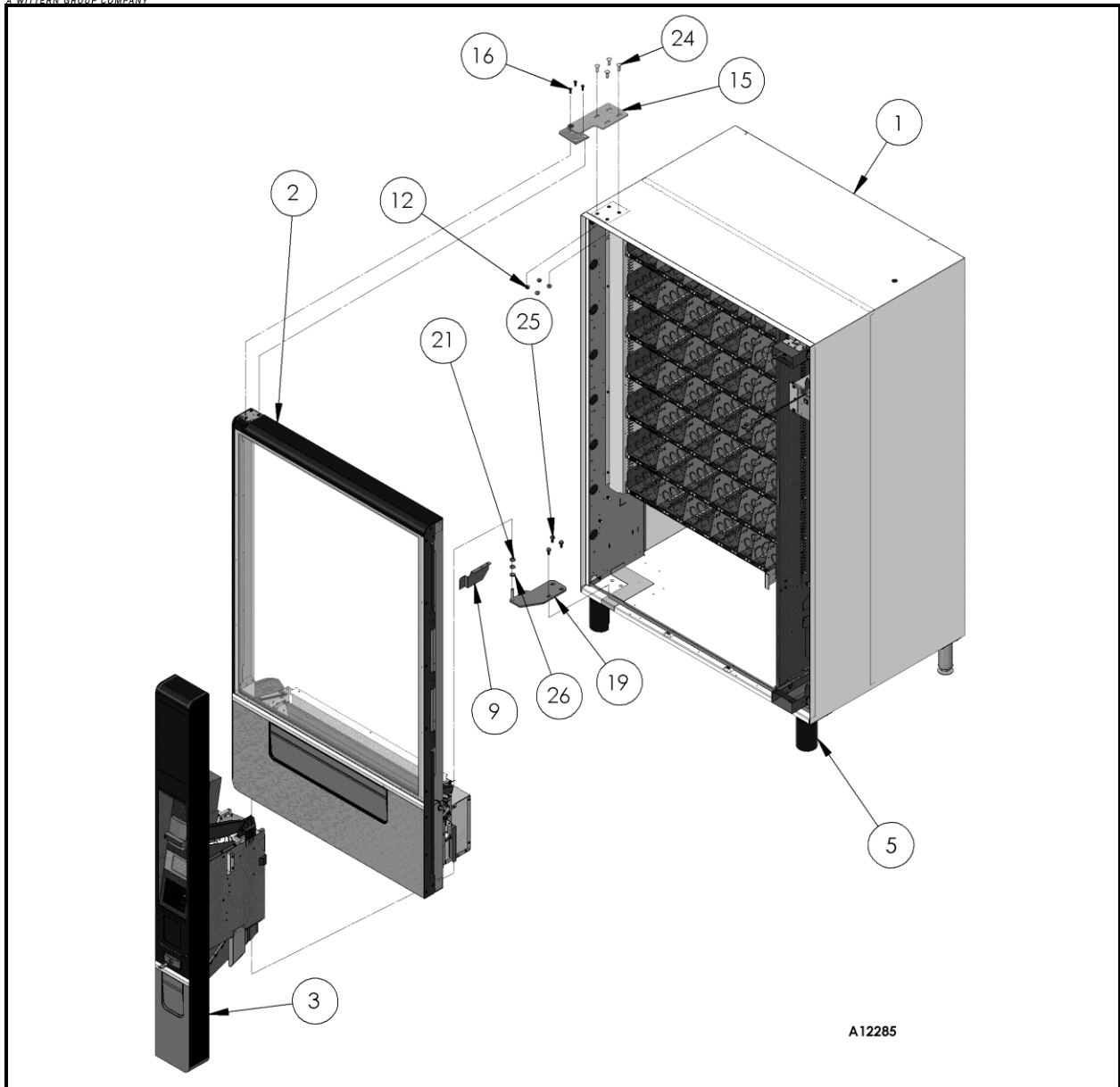
FINAL ASSEMBLY



AR AS REQUIRED

XXX SPECIFY FINISH/COLOR

1 | GLASS FRONT AMBIENT SNACK VENDOR



A12285

FINAL ASSEMBLY PARTS LIST

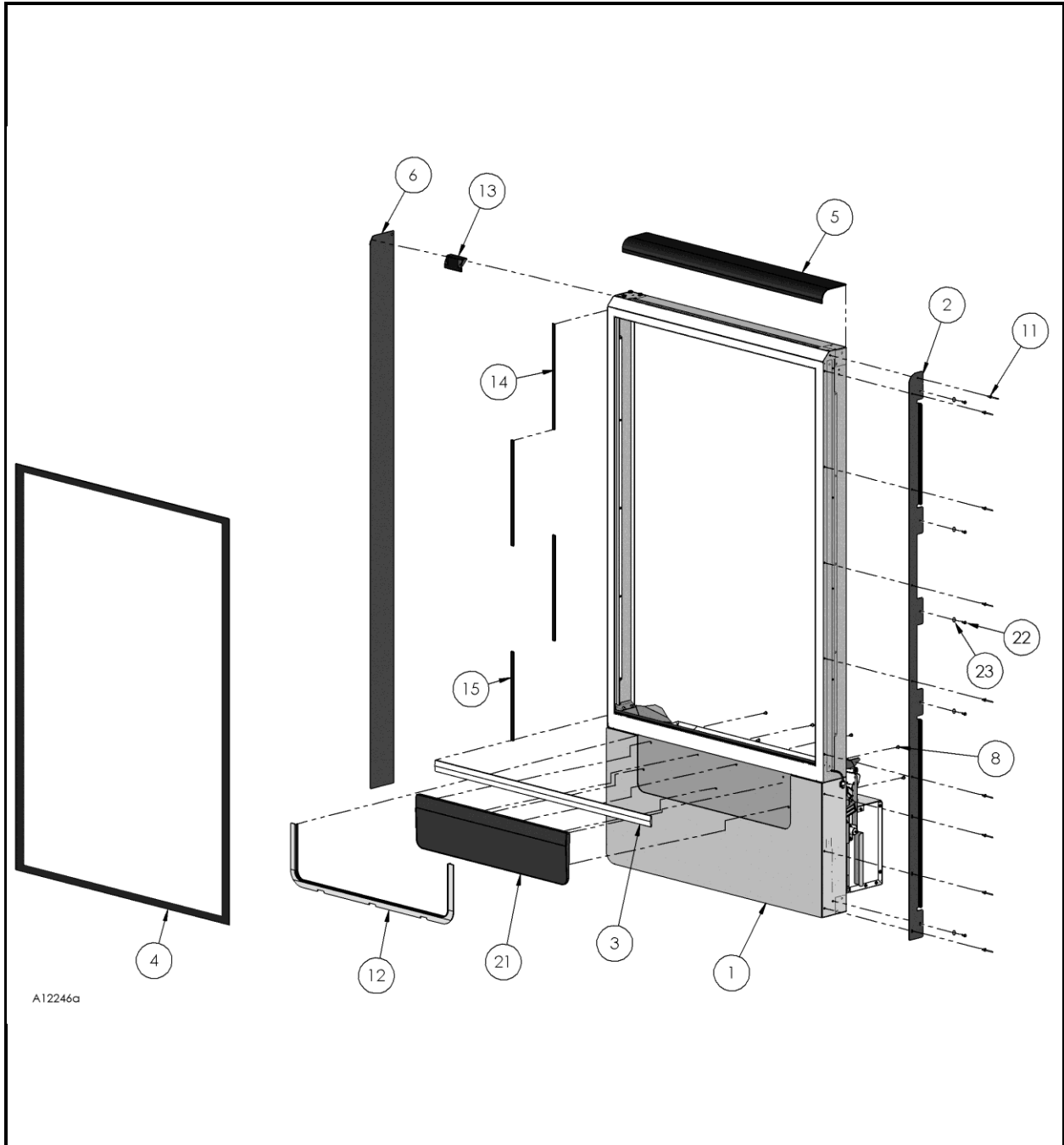
ITEM NO.	PART NUMBER	3605	3606	DESCRIPTION	
1	SEE PAGE # 20	1		CABINET ASSEMBLY (3605)	
	SEE PAGE # 21		1	CABINET ASSEMBLY (3606)	
2	SEE PAGE # 4	1	1	SWING DOOR ASSEMBLY	
3	SEE PAGE # 7	1	1	PULLOUT PANEL ASSEMBLY	
4	1220471	1	1	COIN BOX ASSEMBLY	
5	4224812	2	2	SNAP-ON LEG COVER	
6	4225204	1	1	TIE BAR-COINMECH MOUNT	
7	4224695	1	-	LOWER HINGE SLEEVE	S/N < 1435936 (3605)
		-	-		S/N ≥ 1435936 (3605)

AR AS REQUIRED

XXX SPECIFY FINISH/COLOR

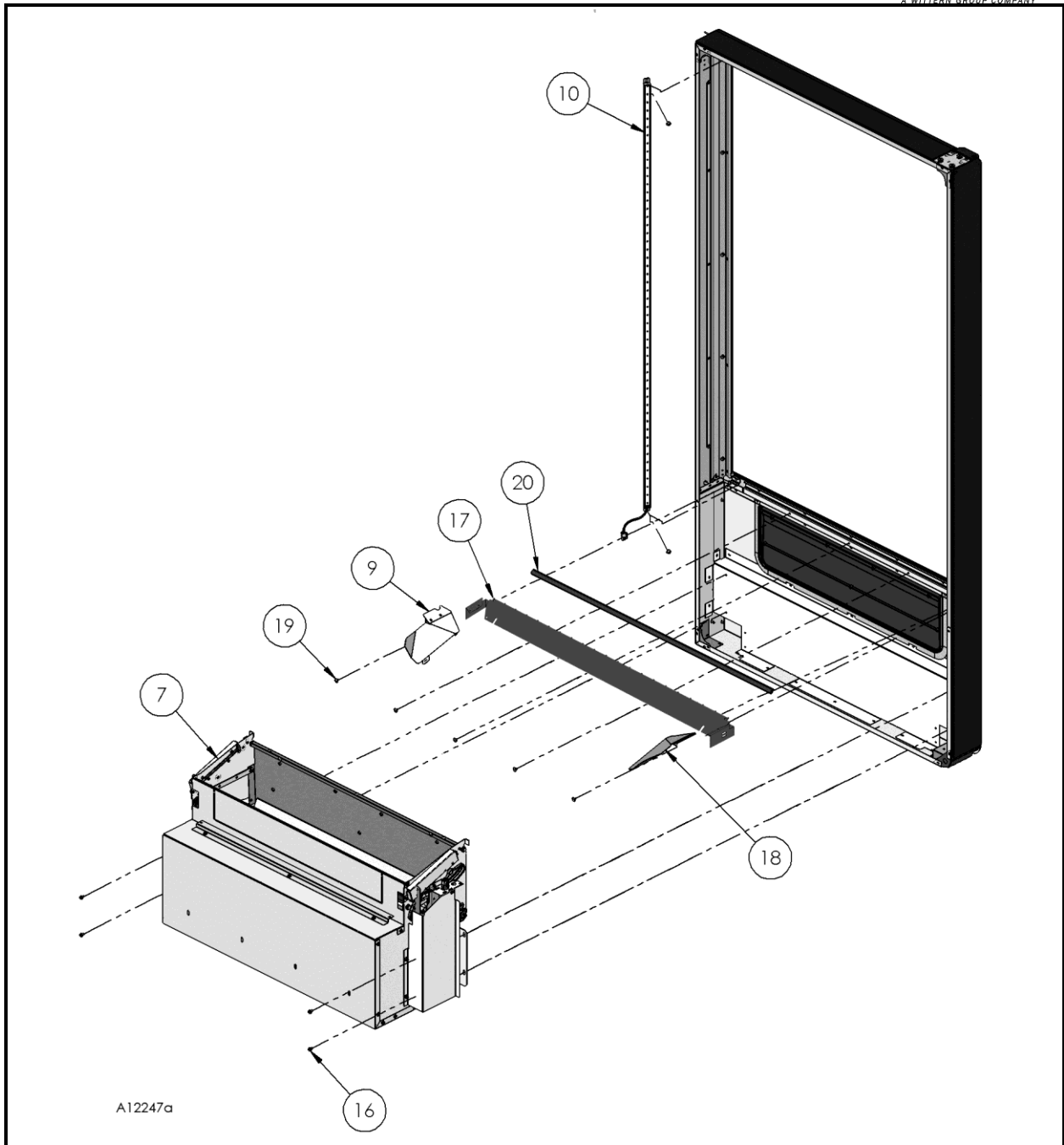
ITEM NO.	PART NUMBER	3605	3606	DESCRIPTION	
8	4212621	1	1	DOOR SWITCH	
9	4225557.000330	1	1	TOP SLIDER BOX BRACE	
10	7250135.010	8	8	HOLE PLUG-BPF 1-1/4"	
11	4224922	1	1	COIN BOX MOUNT	
12	8810015	3	3	5/16-18 FLANGE LK NUT	
13	4223541	31	31	8-32 X 3/8 HH TYPE 23	
14	4060330	1	1	LOCK CYLINDER WITH 2 KEYS	
15	1219829.000330	1	-	TOP HINGE ASSEMBLY	S/N < 1435936 (3605)
	1220668.000330	1	1	TOP HINGE ASSEMBLY	S/N ≥ 1435936 (3605)
16	4212089	3	3	1/4-20X3/4 SOCKET HEAD FLAT SCREW	
17	7250135.008	1	1	HOLE PLUG, BPF-5/8"	
18	8800956	2	2	8-32 HEX NUT W/EXTERNAL TOOTH LOCK WASHER	
19	1219828.000330	1	-	BOTTOM HINGE ASSEMBLY	S/N < 1435936 (3605)
	1220626.000330	1	1	BOTTOM HINGE ASSEMBLY	S/N ≥ 1435936 (3605)
20	4213784	1	1	PUSH BUTTON WIRE TIE	
21	4050767	3	1	FLAT WASHER (1/16" THK) - BLACK	
22	4223244	2	2	8-18 x 7/8 PHILLIPS PAN HEAD TYPE B	
23	1219961.901	1	-	EVOKE 5 DÉCOR PANEL SET (BRUSHED SS)	
	1219961.906	-	1	EVOKE 6 DÉCOR PANEL SET (BRUSHED SS)	
23	1219961.006	1	-	EVOKE 5 – DECAL SET (BRUSHED AL)	
	1219961.606	-	1	EVOKE 6 – DECAL SET (BRUSHED AL)	
24	4226523	3	3	5/16-18 X 3/4" CARR. BOLT	
25	8801388	3	3	5/16-18X3/4 HWH TYPE	
26	4219752	2	2	FLAT WASHER (1/8" THK) - BLACK	
27	8324099.7	1	1	1/2 x 5/8 CLAMP	
LIST OF PARTS NOT SHOWN					
28	4225133	1	1	SERVICE MANUAL	
29	4225134	1	1	PROGRAMMING MANUAL/KEYPAD	
30	4225753	1	1	WIRING SCHEMATIC/3605	

SWING DOOR ASSEMBLY



AR AS REQUIRED

XXX SPECIFY FINISH/COLOR



A12247a

SWING DOOR ASSEMBLY PARTS LIST

ITEM NO.	PART NUMBER	3605	3606	DESCRIPTION	
1	1219882.000309	1	-	DOOR WELDMENT-5W	S/N < 1435936 (3605)
	1220625.005309	1	-	DOOR WELDMENT-5W	S/N ≥ 1435936 (3605)
	1220625.006309	-	1	DOOR WELDMENT-6W	
2	4224962.000309	1	1	DOOR PUSH BAR	
3	4224754.005	1	-	LOWER TRIM STRIP-5W	
	4224754.006	-	1	LOWER TRIM STRIP-6W	

AR AS REQUIRED

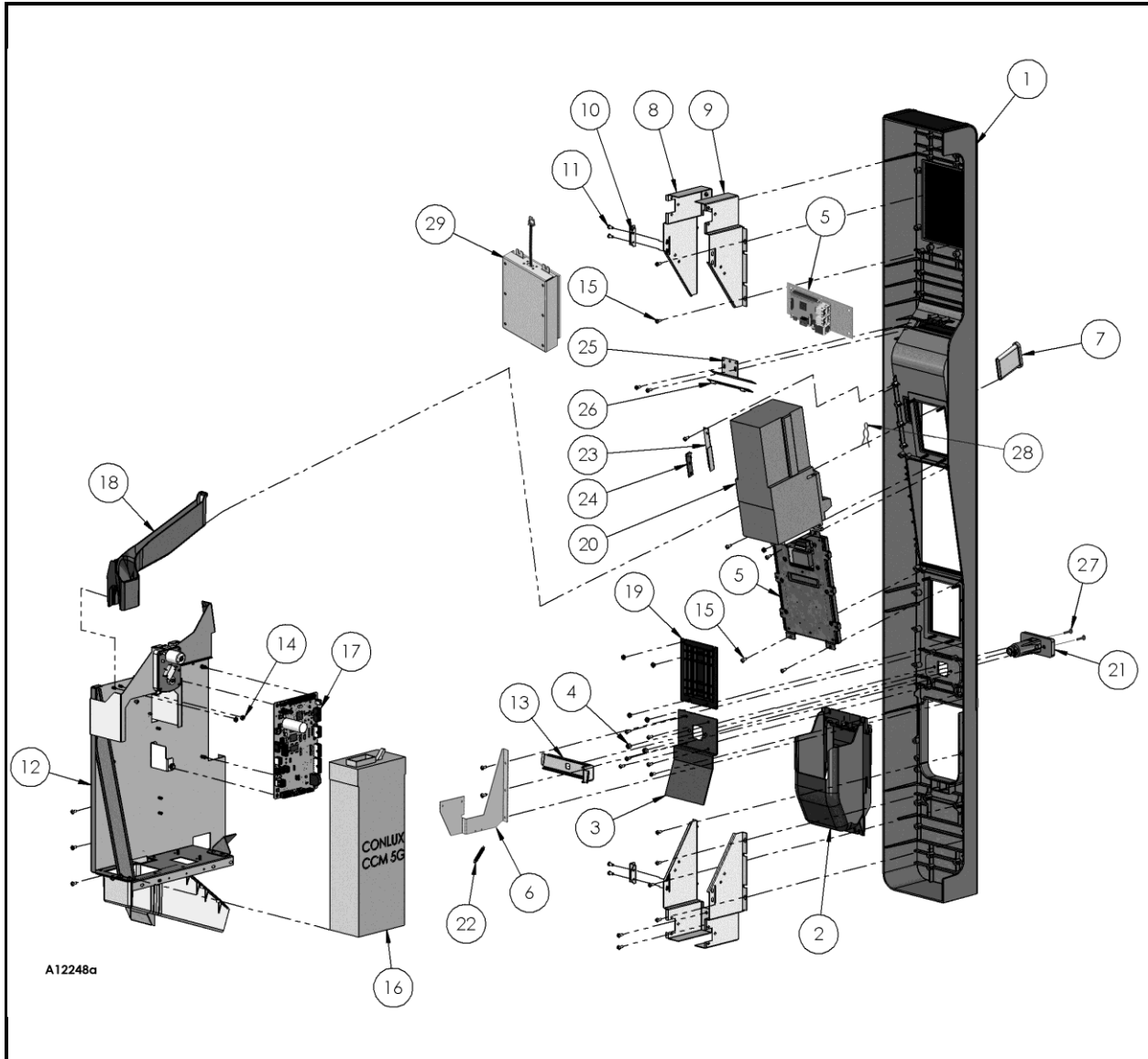
XXX SPECIFY FINISH/COLOR

ITEM NO.	PART NUMBER	3605	3606	DESCRIPTION
4	1220570	1	-	DOOR GLASS/5W
	1220783	-	1	DOOR GLASS/6W
5	4224792.XXX	1	-	ROLLED TOP DOOR CAP/5W
	4224792.206	-	1	ROLLED TOP DOOR CAP/6W
6	4224815.000309	1	1	COSMETIC SIDE PANEL
7	SEE PAGE # 17	1	1	DELIVERY BOX ASSEMBLY-MECHANICAL LIFT
8	4220174	7	7	#8 X 5/16 PHILLIPS PAN HEAD PTRS ZN
9	4225008.000330	1	-	DELIVERY SIDE DEFLECTOR/RH/5W
	4226429.000330	-	1	DELIVERY SIDE DEFLECTOR/RH/6W
10	4225055	2	2	LED LIGHT BAR
11	4212194.001	10	10	5/32 RIVET
12	4224793.005	1	1	BIN DOOR SURROUND-5W
13	4224791.002	1	1	TOP HINGE CAP
14	4224747.002	3	3	PERSPEX -SIDE
15	4225895.002	1	1	PERSPEX-SIDE/SHORT
16	4223541	4	4	8-18X3/8 PHILLIPS PAN HEAD TYPE-A/BLACK
17	4224975.000330	1	-	DELIVERY WINDOW DEFLECTOR/5W
	4226076.000330	-	1	DELIVERY WINDOW DEFLECTOR/6W
18	4225008.001330	1	-	DELIVERY SIDE DEFLECTOR/LH/5W
	4226118.000330	-	1	DELIVERY SIDE DEFLECTOR/LH/6W
19	4223603	17	17	8-32 X 1/4" PHILLIPS TRUSS HEAD TYPE 23 ZN
20	4225215	2.58FT	2.91FT	RUBBER EDGE TRIM-1/2"X1/4"
21	4225001.005	1	1	DELIVERY DOOR FASCIA-5W
22	4226586	5	5	PUSHPIN RIVET
23	4226587	5	5	#8 FLAT WASHER/BLACK

AR AS REQUIRED

XXX SPECIFY FINISH/COLOR

PULLOUT PANEL ASSEMBLY



PULLOUT PANEL ASSEMBLY PARTS LIST

ITEM NO.	PART NUMBER	3605	3606	DESCRIPTION
1	SEE PAGE # 12	1	1	COSMETIC TREATMENT SUBASSEMBLY
2	1219849	1	1	COIN CUP ASSEMBLY
3	4225024.000330	1	1	COIN RETURN DOOR STOPPER
4	8800882	2	2	10-24 NUT W/NYLON IN
5	SEE PAGE #9	1	1	3.5" DISPLAY & KEYPAD ASSEMBLY
	SEE PAGE #10	1	1	10.1" TOUCHSCREEN ASSEMBLY
6	4225031	1	1	SUPPORT GUSSET
7	4224782	1	1	COIN ENTRY BEZEL (STANDARD)
	4226183	1	1	COIN ENTRY BEZEL (RESTRICTED)

AR AS REQUIRED

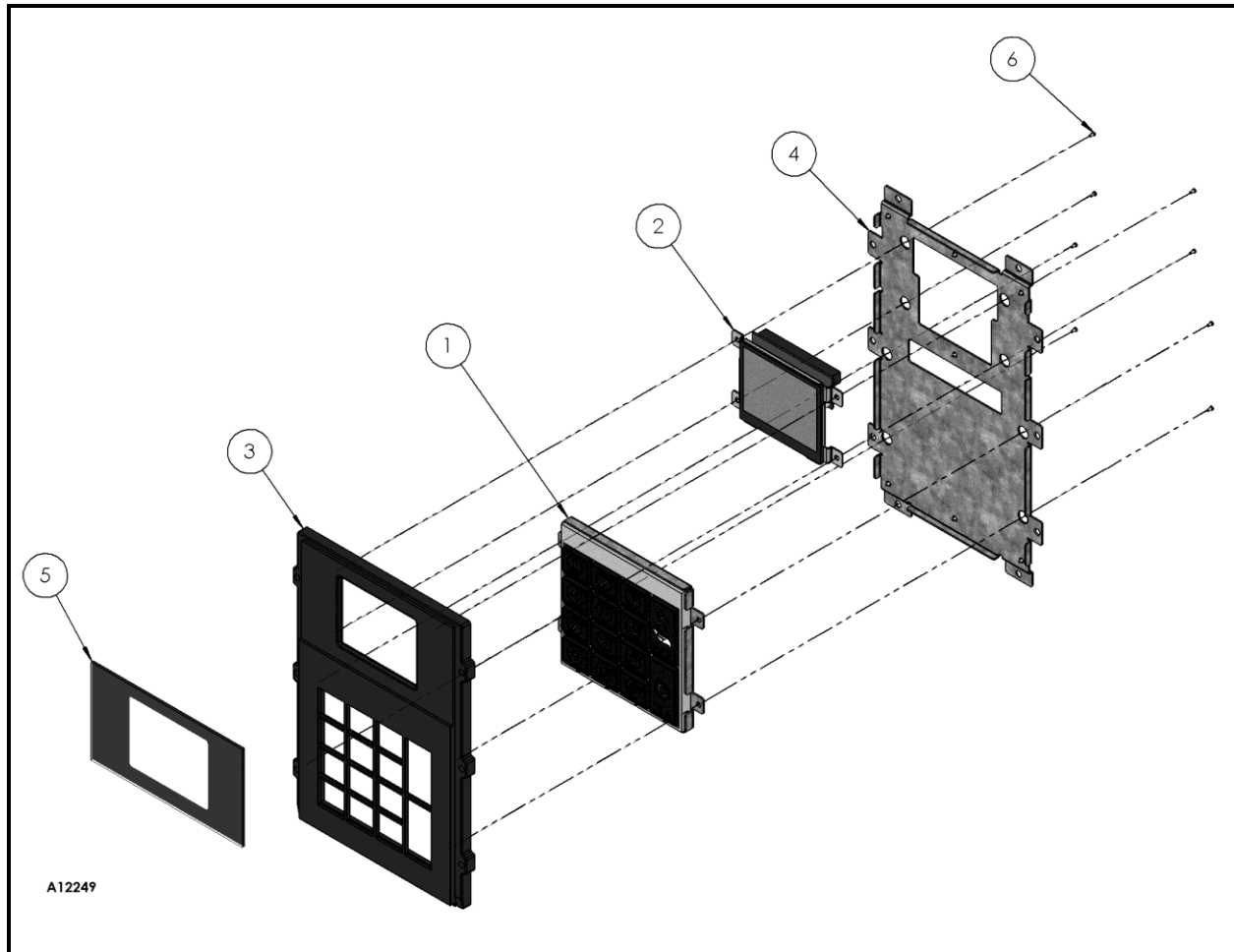
XXX SPECIFY FINISH/COLOR

ITEM NO.	PART NUMBER	3605	3606	DESCRIPTION
8	4224912	2	2	PANEL MOUNTING BRACKET
9	4224912.001	2	2	PANEL MOUNTING BRACKET/LH
10	4224935	2	2	LATCH BRKT
11	4050239	4	4	8-32 x 3/8 PHILLIPS PAN HEAD TYPE 23
12	SEE PAGE # 15	1	1	BOARD MOUNT SUB-ASSEMBLY
13	4225029	1	1	DOOR LOCK LEVER
14	8800956	10	10	8-32 HEX NUT W/ETW
15	4050240	42	42	8-32 x .375 PHILLIPS PAN HEAD MS
16	OPTIONAL	1	1	COIN MECHANISM
17	4224664	1	1	FLEX CONTROL BOARD
18	4224758	1	1	COIN ENTRY CHUTE
19	4224794	1	1	PAYMENT BLANK
20	OPTIONAL	1	1	BILL VALIDATOR
21	4225074.XXX	1	1	QUARTER TURN HANDLE
22	4225945	1	1	EXTENSTION SPRING/DOOR HANDLE
23	4225551	1	1	COIN ENTRY LED MOUNT
24	4224934	1	1	COIN LIGHT LED PCB
25	4224907	1	1	SOFTGLOW LED MOUNT
26	42257385	1	1	DOWN LIGHT LED PCB
27	8356103.004	2	2	10-24 X CARR BOLT
28	4226158	1	1	24-60 HAIRPIN CLIP SS
29	SEE PAGE #14	1	1	POP ASSEMBLY
LIST OF PARTS NOT SHOWN				
30	4225373.002	1	1	DOOR SWITCH HARNESS 40"
31	4215471	1	1	MDB CABLE/GVC
32	4225071	1	1	COIN SLOT LIGHTING HARNESS
33	4225077	1	1	DOWN & COIN LIGHT HARNESS

AR AS REQUIRED

XXX SPECIFY FINISH/COLOR

3.5" DISPLAY & KEYPAD MODULE



A12249

3.5" DISPLAY & KEYPAD MODULE PARTS LIST

ITEM NO.	PART NUMBER	3605	3606	DESCRIPTION
1	1219854	1	1	KEYPAD ASSEMBLY
2	1219888	1	1	3.5" DISPLAY ASSEMBLY
3	4224742.002	1	1	3.5" DISPLAY & KEYPAD BEZEL
4	4224743	1	1	BACKING PLATE - DISPLAY & KEYPAD
5	4224783	1	1	3.5" DISPLAY LENS
6	4225034	15	15	6-32 X 1/4 PHILLIPS PAN HEAD
LIST OF PARTS NOT SHOWN				
7	4216099.003	1	1	KAKEYPAD CABLE-13"
8	4225079	1	1	VMC TO LCD HARNESS

AR AS REQUIRED

XXX SPECIFY FINISH/COLOR

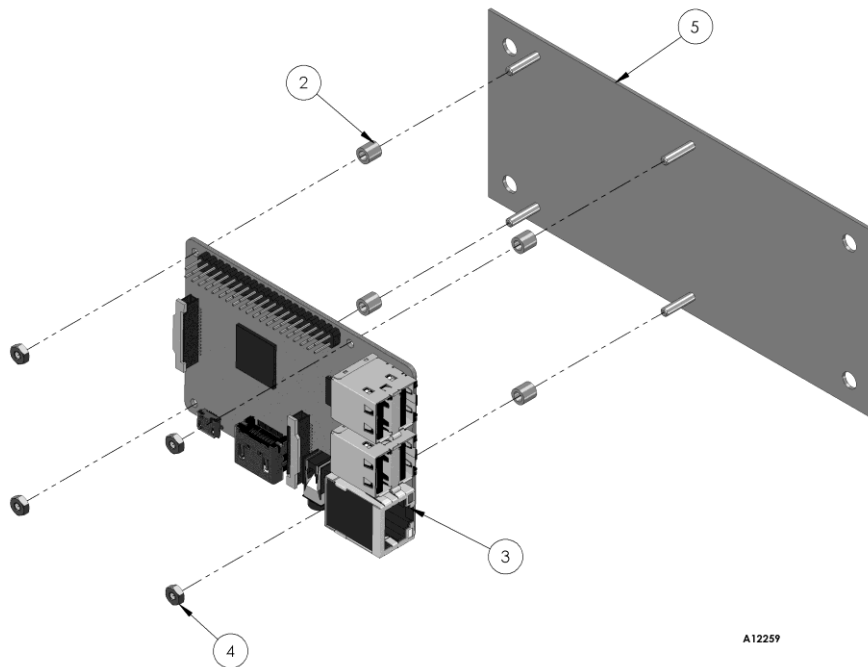
10.1" TOUCHSCREEN ASSEMBLY ELECTRONIC PACKAGE

10.1" TOUCHSCREEN



A12260

SINGLE BOARD COMPUTER (SBC)



A12259

AR AS REQUIRED

XXX SPECIFY FINISH/COLOR

10.1" TOUCHSCREEN ASSEMBLY ELECTRONIC PACKAGE PARTS LIST

ITEM NO.	PART NUMBER	3605	3606	DESCRIPTION
1	1219843	1	1	10.1" TOUCHSCREEN ASSEMBLY
2	4225751	4	4	NYLON SPACER-5MM LONG
3	4225084	1	1	RASPBERRY PI 3 MODEL
4	4225841	4	4	M2.5-0.45 HEX NUT
5	4225750.001	1	1	MOUNTING PLATE - RASPBERRY PI
LIST OF PARTS NOT SHOWN				
6	4226157.***	1	1	MICRO SD CARD-16GB - *** <i>SPECIFY IMAGE TYPE</i>
7	4225195	1	1	SBC HDMI DISPLAY HARNESS
8	4225072	1	1	SBC SERIAL PORT HARNESS
9	4225196	1	1	SBC DISPLAY TOUCH HARNESS
10	4225078	1	1	SBC POWER HARNESS

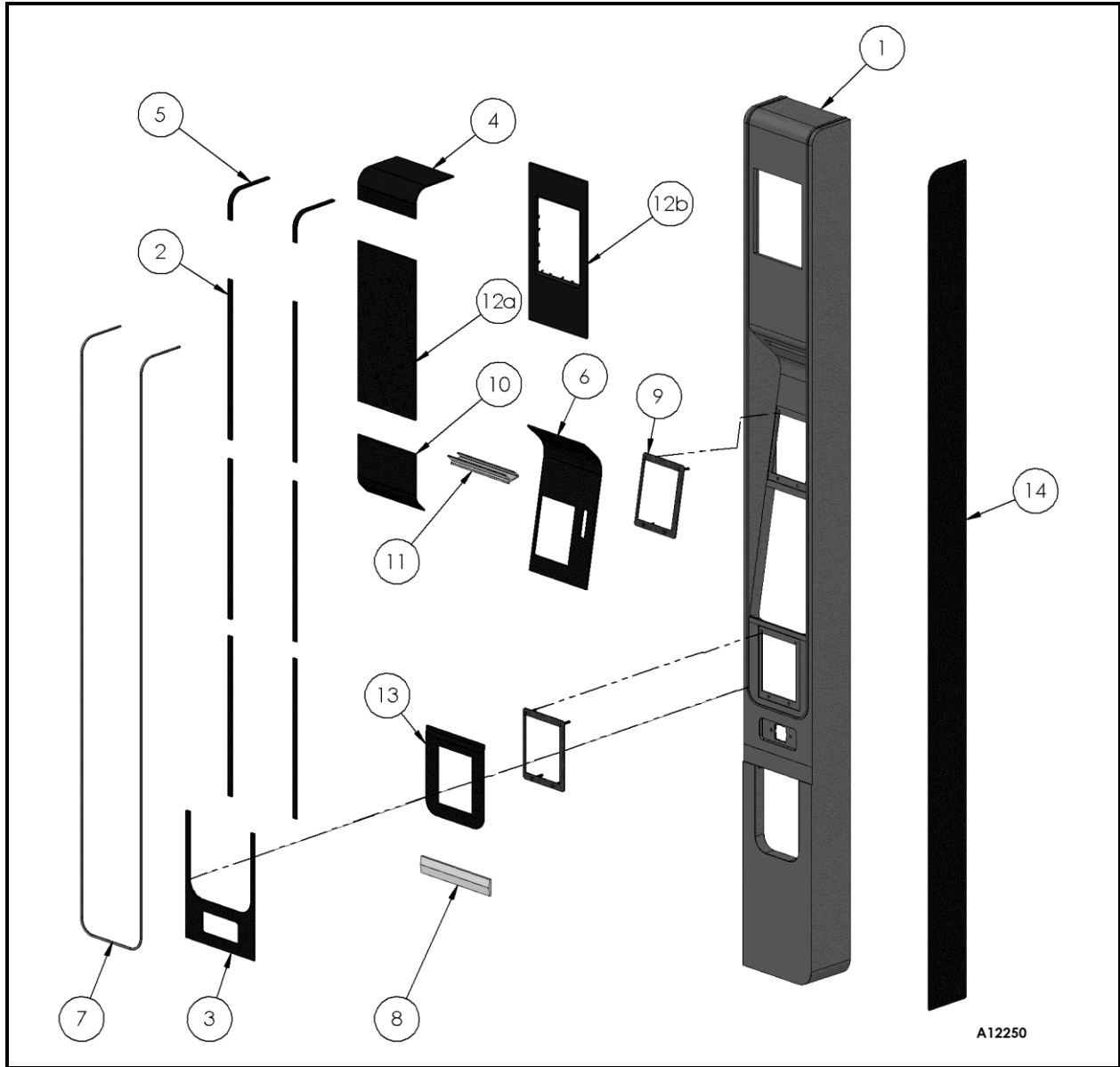
10.1" TOUCHSCREEN UPDATE KIT

ITEM NO.	PART NUMBER	3605/3606	DESCRIPTION
1220682 - 10.1" TOUCHSCREEN UPDATE KIT			
1	1219843	1	10.1" TOUCHSCREEN ASSEMBLY
2	4225751	4	NYLON SPACER-5MM LONG
3	4225084	1	RASPBERRY PI 3 MODEL
4	4225841	4	M2.5-0.45 HEX NUT
5	4225750.001	1	MOUNTING PLATE - RASPBERRY PI
6	4226157.001	1	MICRO SD CARD-16GB - *** <i>SPECIFY IMAGE TYPE</i>
7	4225195	1	SBC HDMI DISPLAY HARNESS
8	4225072	1	SBC SERIAL PORT HARNESS
9	4225196	1	SBC DISPLAY TOUCH HARNESS
10	4225078	1	SBC POWER HARNESS
11	4226367	2	#6 x 3/4 PLASTIC THREAD ROLLING SCREW
12	4050240	4	#8-32 x 3/8 PHILLIPS PAN HEAD SCREW
13	4033704	6	NYLON TIE
14	4226428	1	TOUCHSCREEN INSTALL GUIDE

AR AS REQUIRED

XXX SPECIFY FINISH/COLOR

COSMETIC TREATMENT SUB-ASSEMBLY



A12250

AR AS REQUIRED

XXX SPECIFY FINISH/COLOR

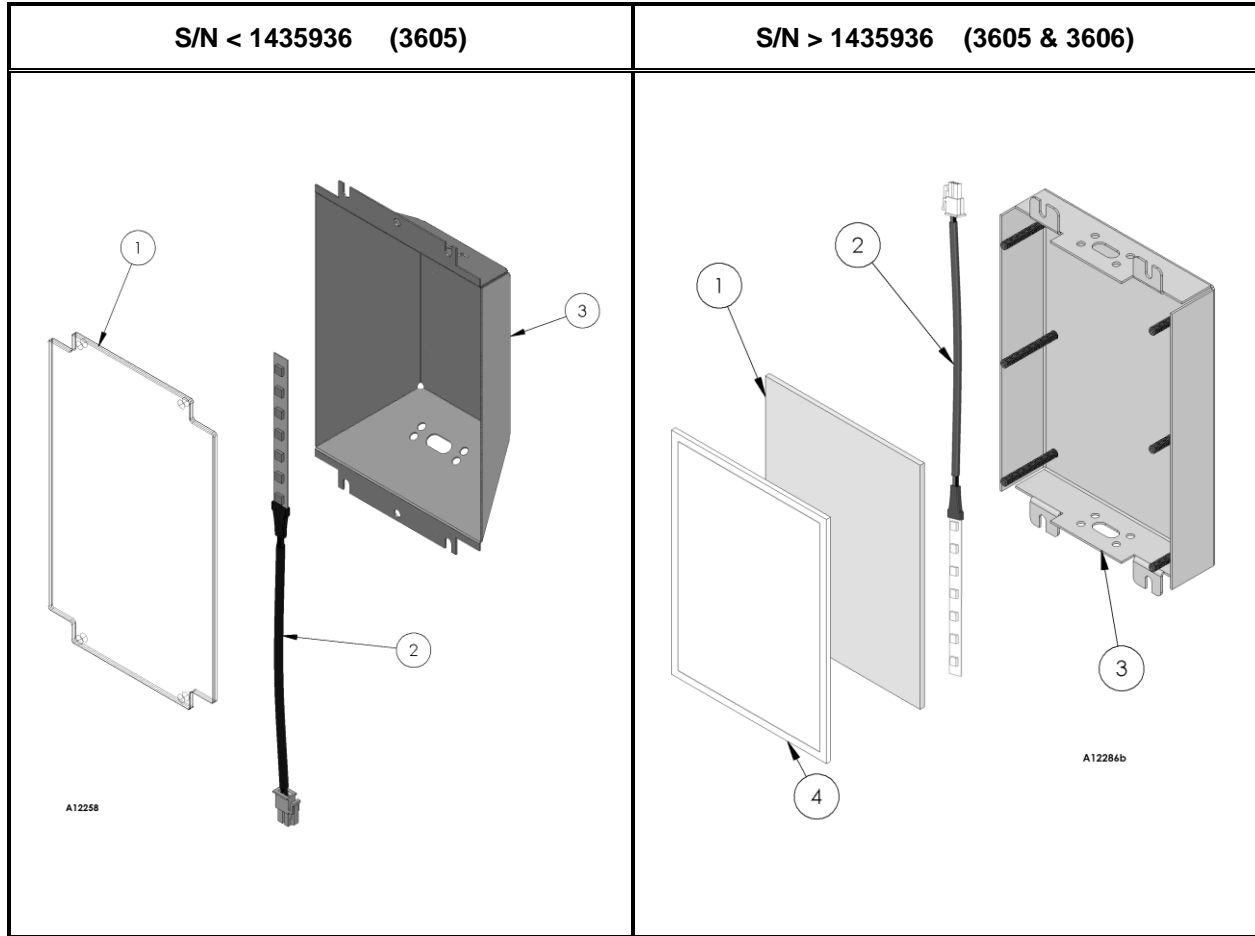
COSMETIC TREATMENT SUB-ASSEMBLY PART LIST

ITEM NO.	PART NUMBER	3605	3606	DESCRIPTION
1	4224737	1	1	PULL OUT SELECTION PANEL
2	4224747.002	6	6	PERSPEX -SIDE
3	4224748.002	1	1	PERSPEX - LOCK
4	4224749.002	1	1	PERSPEX ROLLED TOP
5	4224750.002	2	2	SIDE PERSPEX - ROLLED TOP
6	4224752.002	1	1	PERSPEX - RECESSED TOP
7	4224753	1	1	PULLOUT PANEL TRIM
8	4224754	1	1	LOWER TRIM STRIP
9	4224755.001	2	2	STAKE PLATE
10	4224899.002	1	1	PERSPEX ABOVE LENS
11	4224795	1	1	LED LIGHT LENS
12a	4224762.002	1	1	POP PERSPEX (NO GRAPHIC)
	4224762.XXX	1	-	POP PERSPEX (WITH GRAPHIC)
12b	4226273.002	1	1	
13	4224751.002	1	1	PERSPEX - RECESSED BTM
14	4224815.000309	1	1	COSMETIC SIDE PANEL

AR AS REQUIRED

XXX SPECIFY FINISH/COLOR

POINT-OF-PURCHASE ASSEMBLY



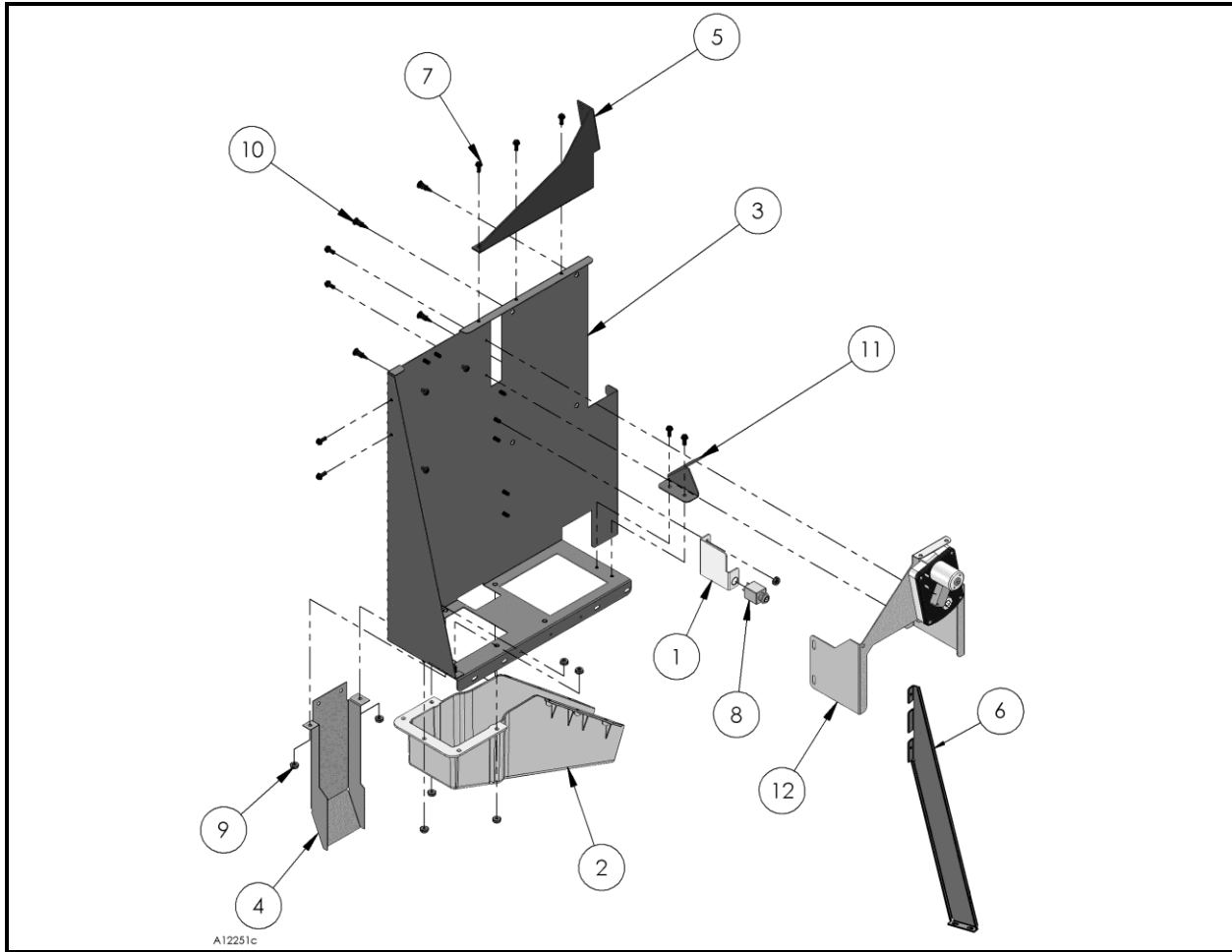
POINT-OF-PURCHASE ASSEMBLY PARTS LIST

ITEM NO.	PART NUMBER	3605	3606	DESCRIPTION	
1	4225146	1	-	POS DIFFUSER	<i>S/N < 1435936 (3605)</i>
	4226316	1	1	POS DIFFUSER	<i>S/N ≥ 1435936 (3605)</i>
2	4225208	1	1	POP LED STRIP	
3	4224893.000309	1	-	LED BOX	<i>S/N < 1435936 (3605)</i>
	4224893.001309	1	1	LED BOX	<i>S/N ≥ 1435936 (3605)</i>
4	4226274.XXX	1	1	LOGO PANEL – (SPECIFY)	

AR AS REQUIRED

XXX SPECIFY FINISH/COLOR

BOARD MOUNT SUB-ASSEMBLY



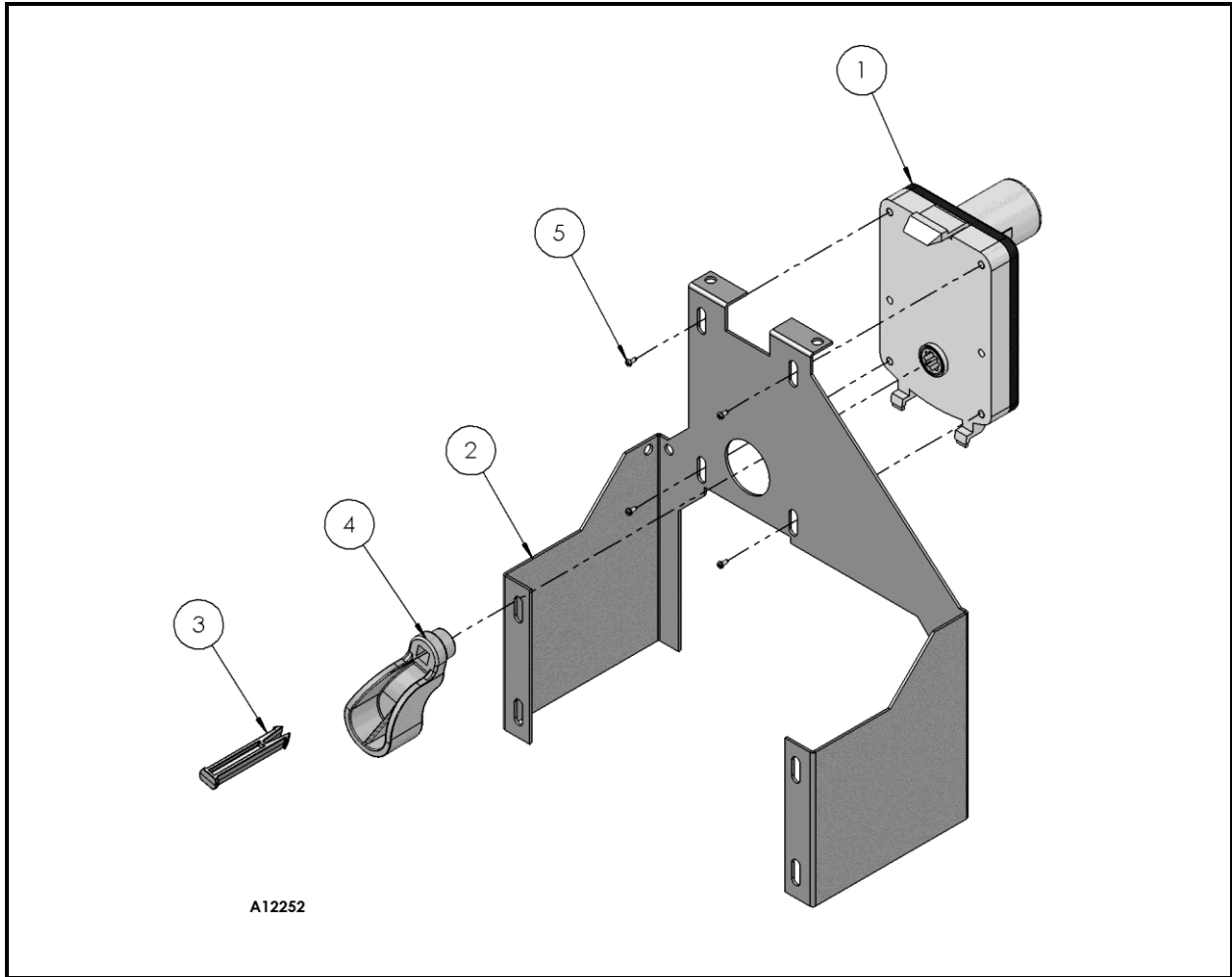
BOARD MOUNT SUB-ASSEMBLY PARTS LIST

ITEM NO.	PART NUMBER	3605	3606	DESCRIPTION
1	4223987.000330	1	1	DEX JACK MOUNT
2	4224759	1	1	COIN RETURN CHUTE
3	4224760	1	1	COINMECH MOUNT
4	4224916	1	1	COIN BOX CHUTE
5	4225550	1	1	TOP GUSSET - COINMECH
6	4225023.001330	1	-	COINMECH MOUNT BRACE S/N < 1436045 (3605)
7	4050239.001	13	13	8-32 x 3/8" PHILLIPS PAN HEAD TYPE 23
8	4214278	1	1	DEX JACK HARNESS
9	8800956	9	9	8-32 HEX NUT W/EXTERNAL TOOTH LOCK WASHER
10	4206879	4	4	BOARD STANDOFF
11	4225219	1	1	LOCK STOP
12	SEE PAGE # 16	1	1	COIN RETURN MECHANISM ASSEMBLY

AR AS REQUIRED

XXX SPECIFY FINISH/COLOR

COIN RETURN MECHANISM ASSEMBLY



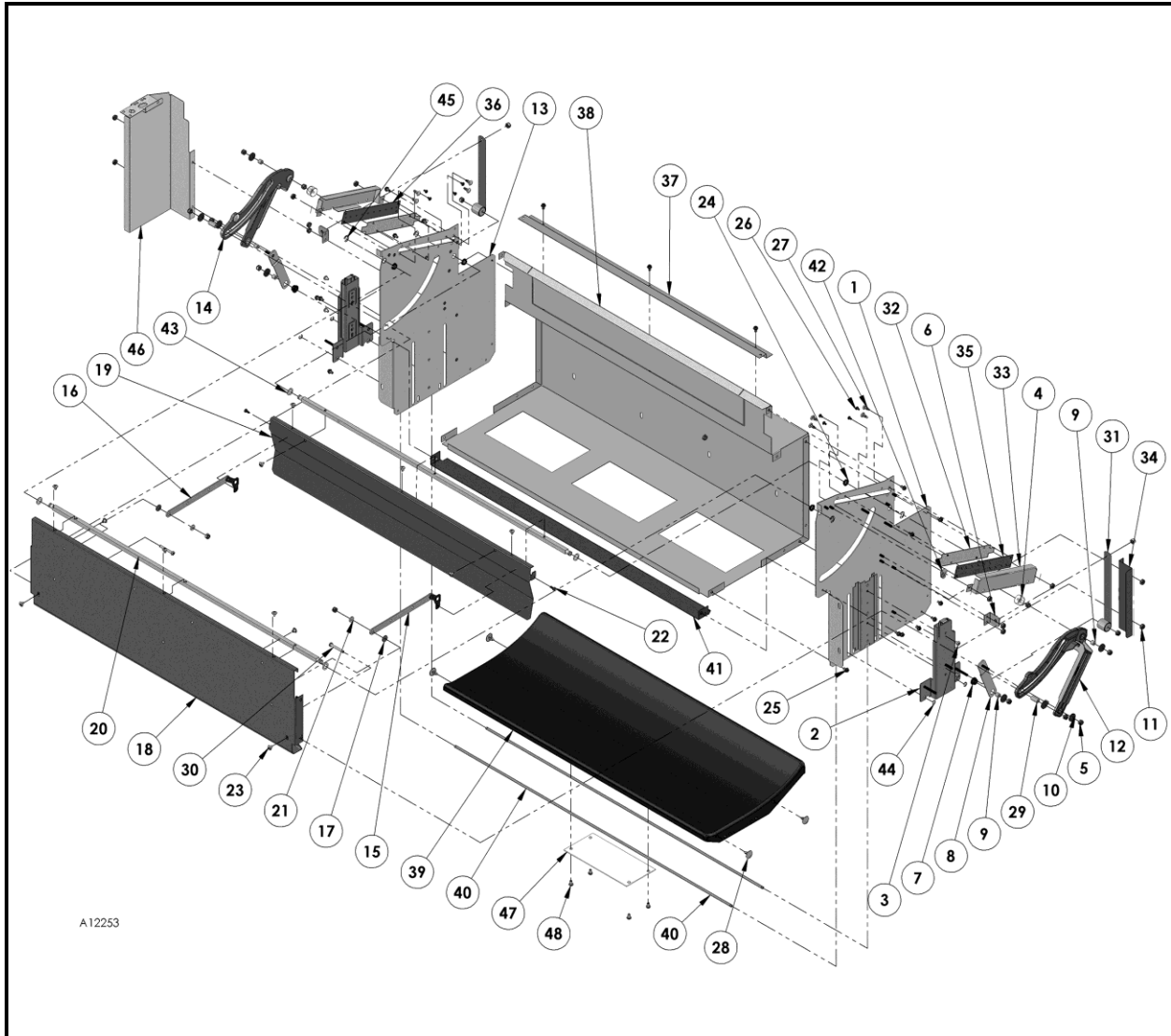
COIN RETURN MECHANISM ASSEMBLY PARTS LIST

ITEM NO.	PART NUMBER	3605	3606	DESCRIPTION
1	4219956	1	1	SNAP-IN MOTOR - CW
2	4224772.000330	1	1	COIN RETURN MOTOR MOUNT
3	4222566	1	1	LATCH CAM SHAFT
4	4225556	1	1	COINRETURN CAM
5	4225034	4	4	6-32 X 1/4 PHILLIPS PAN HEAD PLASTITE SCREW

AR AS REQUIRED

XXX SPECIFY FINISH/COLOR

DELIVERY BOX ASSEMBLY



DELIVERY BOX ASSEMBLY PARTS LIST

ITEM NO.	PART NUMBER	3605	3606	DESCRIPTION
1	1219923.000330	1	-	DELIVERY WRAPPER SIDE WELD
	1220574.000330	-	1	DELIVERY WRAPPER SIDE WELD
2	1219581	2	2	SLIDE & FLOOR LIFT BRACKET WELD
3	4050212	4	4	8-32X1/4" PHILLIPS PAN HEAD TYPE 23 ZN
4	4208230	2	2	BUMPER
5	4210384	16	16	#8 HEX NYLOCK NUT
6	4221640.001	2	2	FLOOR SPRING HOLDER STAKE ASSY
7	4223161	2	2	FLANGE BEARING-Ø5/16"
8	4223399.001	2	2	LINK FLOOR LIFT STAKE ASSY
9	4223585.250	6	6	ID.166XOD.312X.250L SPACER

AR AS REQUIRED

XXX SPECIFY FINISH/COLOR

ITEM NO.	PART NUMBER	3605	3606	DESCRIPTION
10	4224192	6	6	WASHER .625OD X .175ID X .062
11	8800956	13	13	8-32 HEX NUT W/ETW
12	4224969	1	1	PIVOT LINK/RH
13	1219923.001330	1	-	DELIVERY WRAPPER SIDE WELD
	1220574.001330	-	1	DELIVERY WRAPPER SIDE WELD
14	4224969.001	1	1	PIVOT LINK/LH
15	1219925.002	1	1	ANTI-CHEAT LINKAGE STAKE-/RH
16	1219925.001	1	1	ANTI-CHEAT LINKAGE STAKE-/LH
17	4030100.001	2	2	SPACER BUSHING
18	4224965.001330	1	-	DELIVERY DOOR STAKED/5W
	4224965.601330	-	1	DELIVERY DOOR STAKED/5W
19	4224966.000330	1	-	DELIVERY ANTI-CHEAT BACK/5W
	4226119.006330	-	1	DELIVERY ANTI-CHEAT BACK/6W
20	4224972.005	2	-	DELIVERY SHAFT
	4224972.006	-	2	DELIVERY SHAFT
21	8801011	2	2	#8 FLAT WASHER
22	4050120	2	2	6-32 X 5/16 PHILLIPS PAN HEAD TYPE-23
23	4223603	12	12	8-32 X 1/4" PHILLIPS TH TYP 23 ZN
24	4025263.001	4	4	SNAP-IN NYLON BEARING
25	4050420.001	21	21	8-18X3/8 PHILLIPS HEX WASHER HEAD TYPE-A/BLK
26	4215561.015	8	8	SNAP RIVET
27	4220025	8	8	STANDOFF
28	4223153	4	4	ARROW CLIP (Ø.625 X .100)
29	4223585.625	2	2	ID.166XOD.312X.625L SPACER
30	4223756	2	2	8-32X1 1/4" PHILLIPS PAN HEAD MS ZN
31	4223799.001	2	2	CF SPRING & SPOOL ASSEMBLY
32	4223902	2	-	I-VEND SENSOR LENS
	4226140	-	2	I-VEND-12 SENSOR LENS
33	4223946.000330	1	-	IVEND METAL COVER
	4226120.000330	-	1	IVEND METAL COVER
34	4223947	1	1	CF SPRING COVER
35	4224832	1	-	IVEND 10 DETECTOR BOARD
	4226133	-	1	IVEND 12 DETECTOR BOARD
36	4224833	1	-	IVEND 10 EMITTER BOARD
	4226134	-	1	IVEND 12 EMITTER BOARD
37	4224844.000330	1	-	IVEND HARNESS COVER/5W
	4224844.006330	-	1	IVEND HARNESS COVER/6W
38	4224964.005330	1	-	DELIVERY WRAPPER BACK/5W
	4226436.006330	-	1	DELIVERY WRAPPER BACK/6W
39	4224970	1	-	DELIVERY LIFT FLOOR/5W
	4226041	-	1	DELIVERY LIFT FLOOR/6W
40	4224971.005	2	-	LIFT FLOOR ROD-Ø3/16"/5W

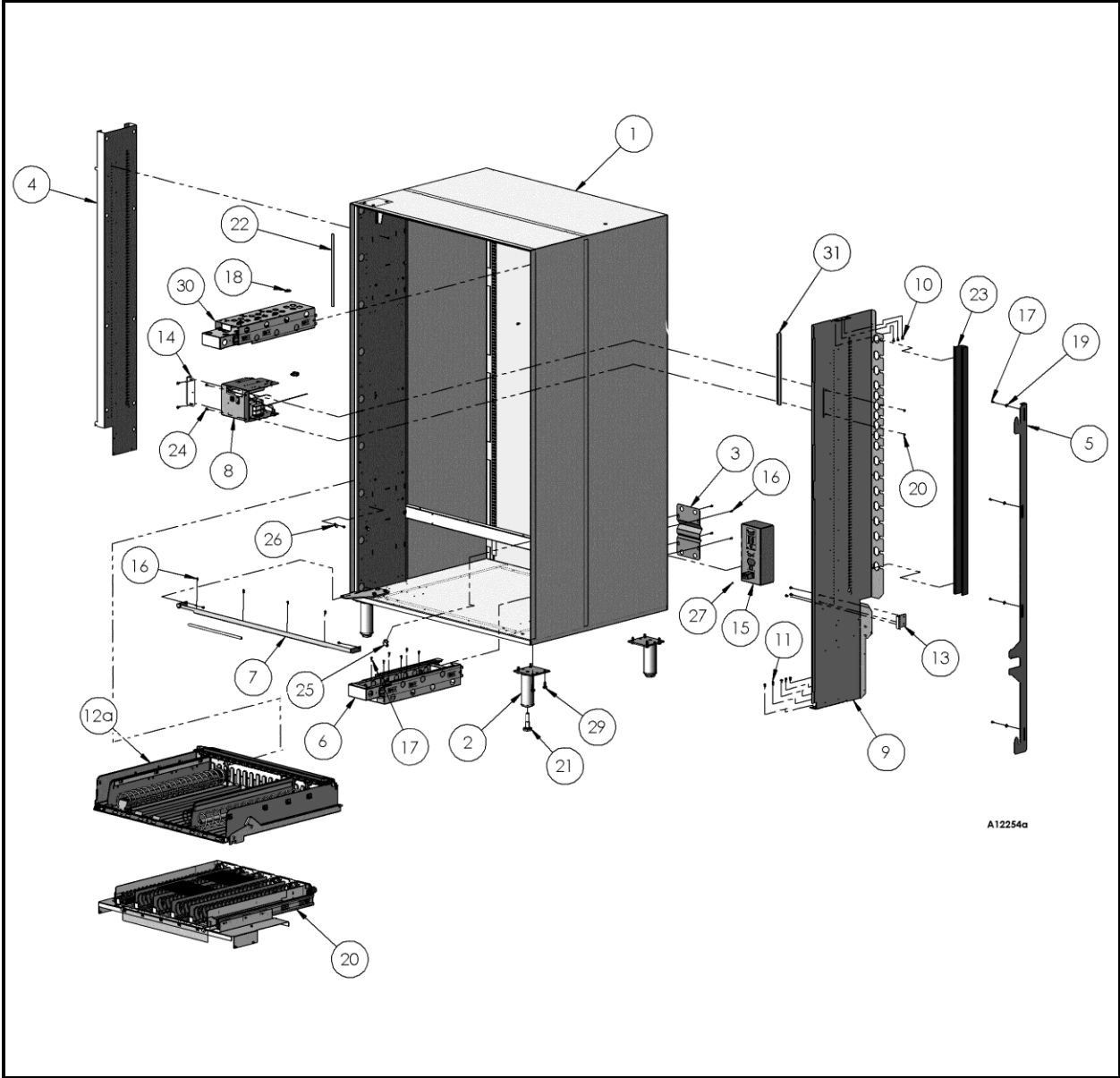
AR AS REQUIRED

XXX SPECIFY FINISH/COLOR

ITEM NO.	PART NUMBER	3605	3606	DESCRIPTION
	4224971.006	-	2	LIFT FLOOR ROD-Ø3/16"/6W
41	4225000.000330	1	1	FRONT ANTI-CHEAT/5W
	4225000.006330	1	1	FRONT ANTI-CHEAT/6W
42	8324099.1	1	1	3/8 x 3/16 CLAMP
43	8324353	4	4	5/16 ID FLAT WASHER
44	8801070	4	4	RETAINING RING - 3/16"
45	8801080	4	4	E-RING-5/16
46	4225229.000330	1	-	LIFT MECHANISM COVER
	4226122.000330	-	1	LIFT MECHANISM COVER
47	4226174	1	-	COUNTERBALANCE-DELIVERY LIFT
48	4220174	4	4	8 X .3125 PHILLIPS PAN HEAD TREAD ROLLING SCREW
LIST OF PARTS NOT SHOWN				
49	4225217	1	1	DELIVERY SENSOR HARNESS

CABINET ASSEMBLY

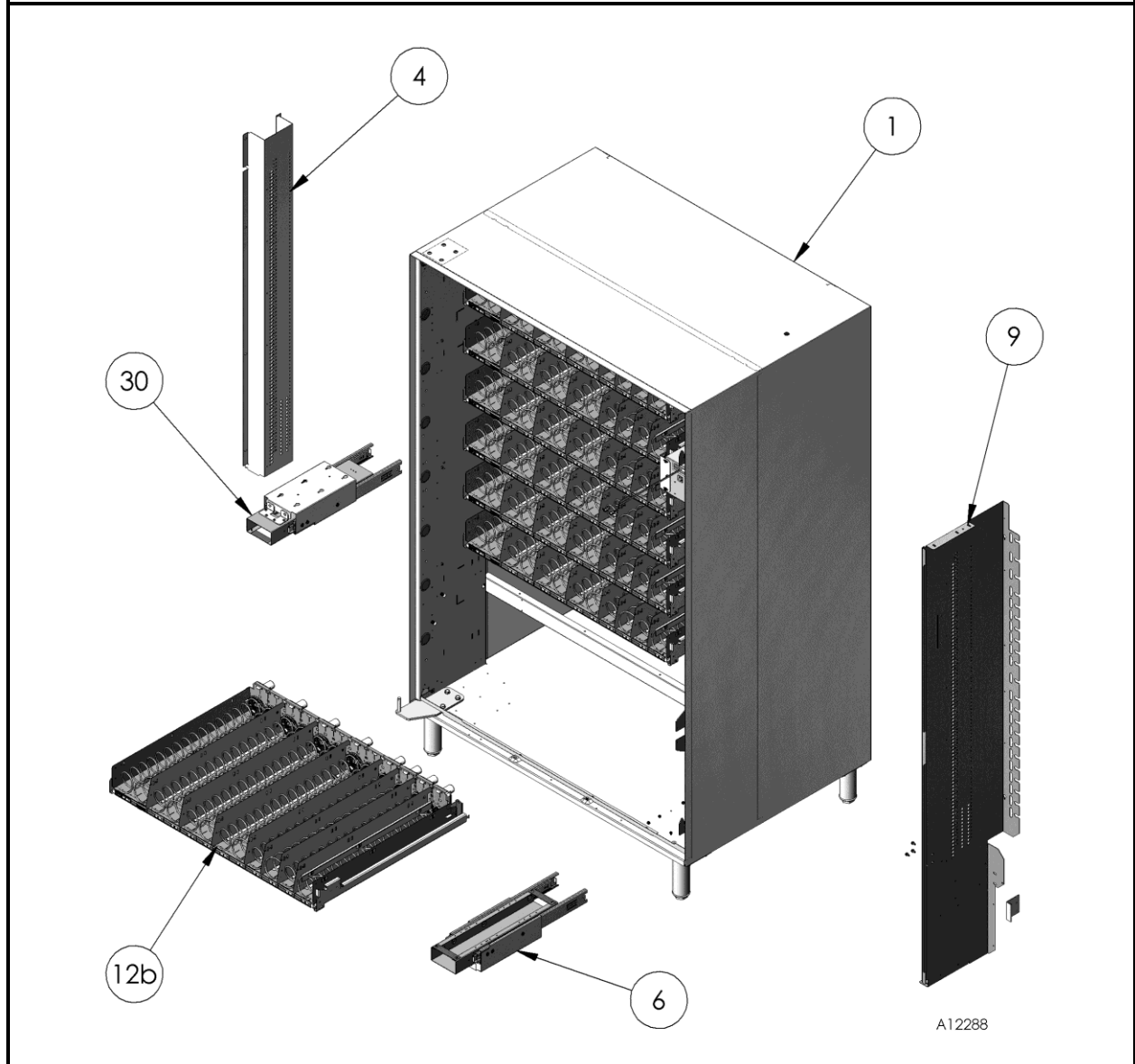
CABINET ASSEMBLY - 5W (3605)



AR AS REQUIRED

XXX SPECIFY FINISH/COLOR

CABINET ASSEMBLY - 6W (3606)



CABINET ASSEMBLY PARTS LIST

ITEM NO.	PART NUMBER	3605	3606	DESCRIPTION	
1	1219948.000330	1	1	CABINET WELD/5W	S/N < 1435936 (3605)
	1220669.005330	1	-	CABINET WELD/5W	S/N ≥ 1435936 (3605)
	1220669.006330	-	1	CABINET WELD/6W	
2	1220522	4	4	TUBULAR LEG WELD & LEG LEVELER	
3	4213448.000330	1	1	CONNECTION BOX COVER	
4	4224693.000330	1	-	CABINET RAIL MOUNT - HINGE SIDE/5W	S/N < 1435936 (3605)
	4226390.000330	1	-	CABINET RAIL MOUNT - HINGE SIDE/5W	S/N ≥ 1435936 (3605)
	4225902.000330	-	1	CABINET RAIL MOUNT - HINGE SIDE/6W	

AR AS REQUIRED

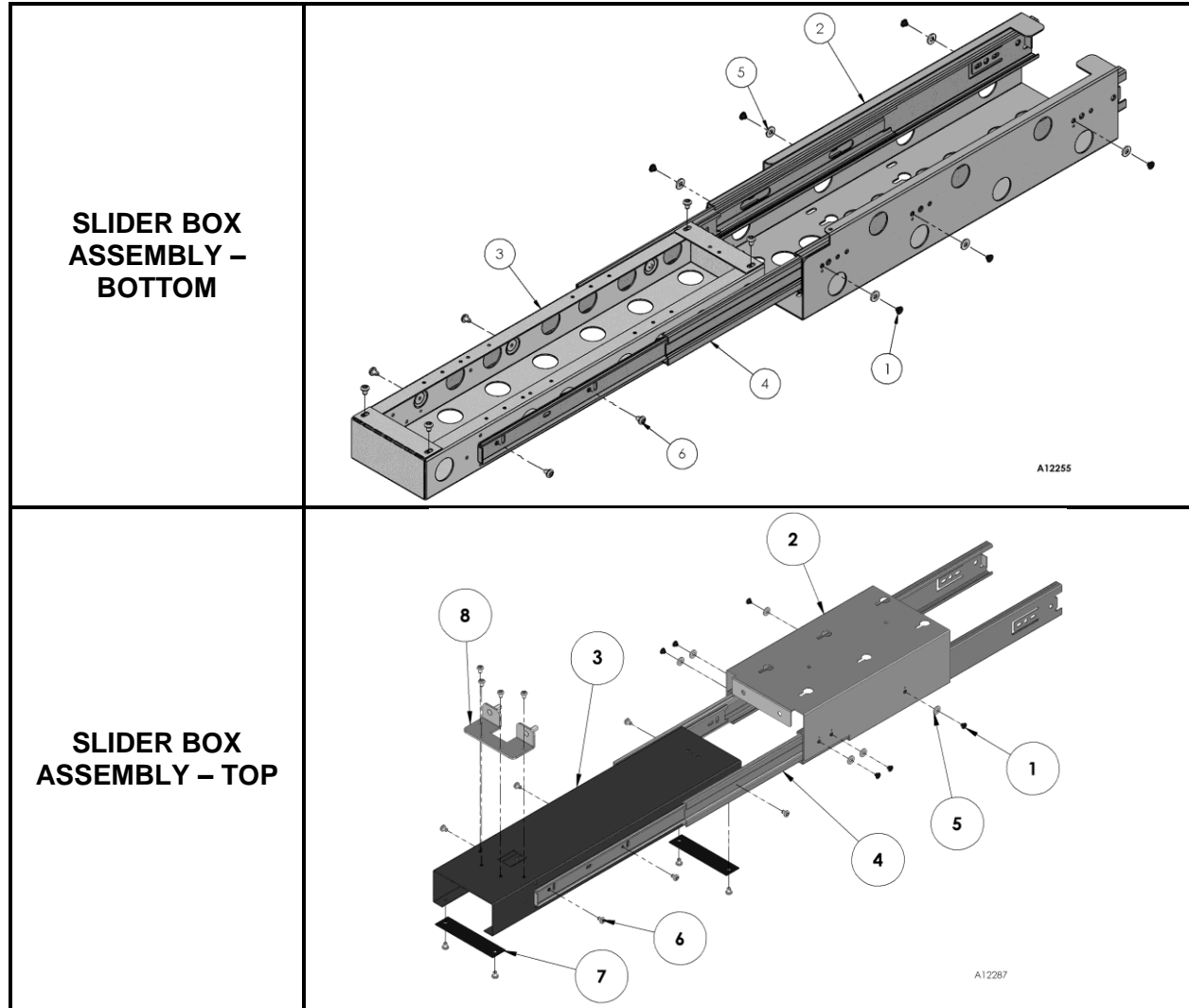
XXX SPECIFY FINISH/COLOR

ITEM NO.	PART NUMBER	3605	3606	DESCRIPTION
5	4225944.000950	1	1	LOCK BAR
6	SEE PAGE # 23	1	1	SLIDER BOX ASSEMBLY/BOTTOM
7	4225939.000330	1	1	BOTTOM CABINET STIFFENER
8	SEE PAGE # 31	1	1	POWER BOX ASSEMBLY
9	4225030.000330	1	-	RIGHT SIDE CABINET PARTITION/5W
	4225903.000330	-	1	RIGHT SIDE CABINET PARTITION/6W
10	4223542	12	12	10-32 X 3/8 SLOTTED HEX WASHER HEAD TYPE 23
11	4050202.001	5	5	8-18X1/2 PHILLIPS HEX WASHER HEAD TEK SCREW/BLK
12a	SEE PAGE # 24	AR	-	5W PLASTIC TRAY ASSEMBLY
12b	SEE PAGE # 26	-	AR	METAL SNACK TRAY ASSEMBLY/6W
13	4225027.000950	1	1	DOOR LOCK CATCH
14	4224886.001330	1	1	POWER BOX MOUNTING BRACKET
15	SEE PAGE # 30	1	1	CONNECTION BOX ASSEMBLY
16	4050239.001	8	8	8-32 x 3/8 PHILLIPS PAN HEAD TYPE 23
17	4223541	33	33	8-32 X 3/8 HEX WASHER HEAD TYPE 23
18	4216313	11	11	CLAMP
19	4030100.004	4	4	SPACER BUSHING
20	8800956	2	2	8-32 HEX NUT W/ETW
21	4219208	4	4	LEG LEVELER
22	4221985	17.5 FT	18.5 FT	GASKET (3/8")
23	4222476	1	1	HARNESS COVER
24	8800638	3	3	10-16 X 3/8 PHL PAN HEAD TYPE B
25	8324099.7	1	1	1/2 x 5/8 CLAMP
26	8324099.2	2	2	3/8 x 1/4 CLAMP
27	4050585	3	3	#8 EXTERNAL SHAKE PROOF WASHER
28	SEE PAGE # 28	1	1	G&M TRAY ASSEMBLY
29	8801388	16	16	5/16-18X3/4 HEX WASHER HEAD SCREW TYPE
30	SEE PAGE # 23	1	1	SLIDER BOX ASSEMBLY/TOP
31	4223278	5.3 FT	5.3 FT	GASKET (1/2")
32	4226109	1	2	RAMP – SWING DOOR
LIST OF PARTS NOT SHOWN				
33	4225140	1	-	MAIN HARNESS/5W
	4226001	-	1	MAIN HARNESS/6W
33	4225220	1	1	BOARD TO LED LIGHT/IVEND HARNESS

AR AS REQUIRED

XXX SPECIFY FINISH/COLOR

SLIDER BOX ASSEMBLY



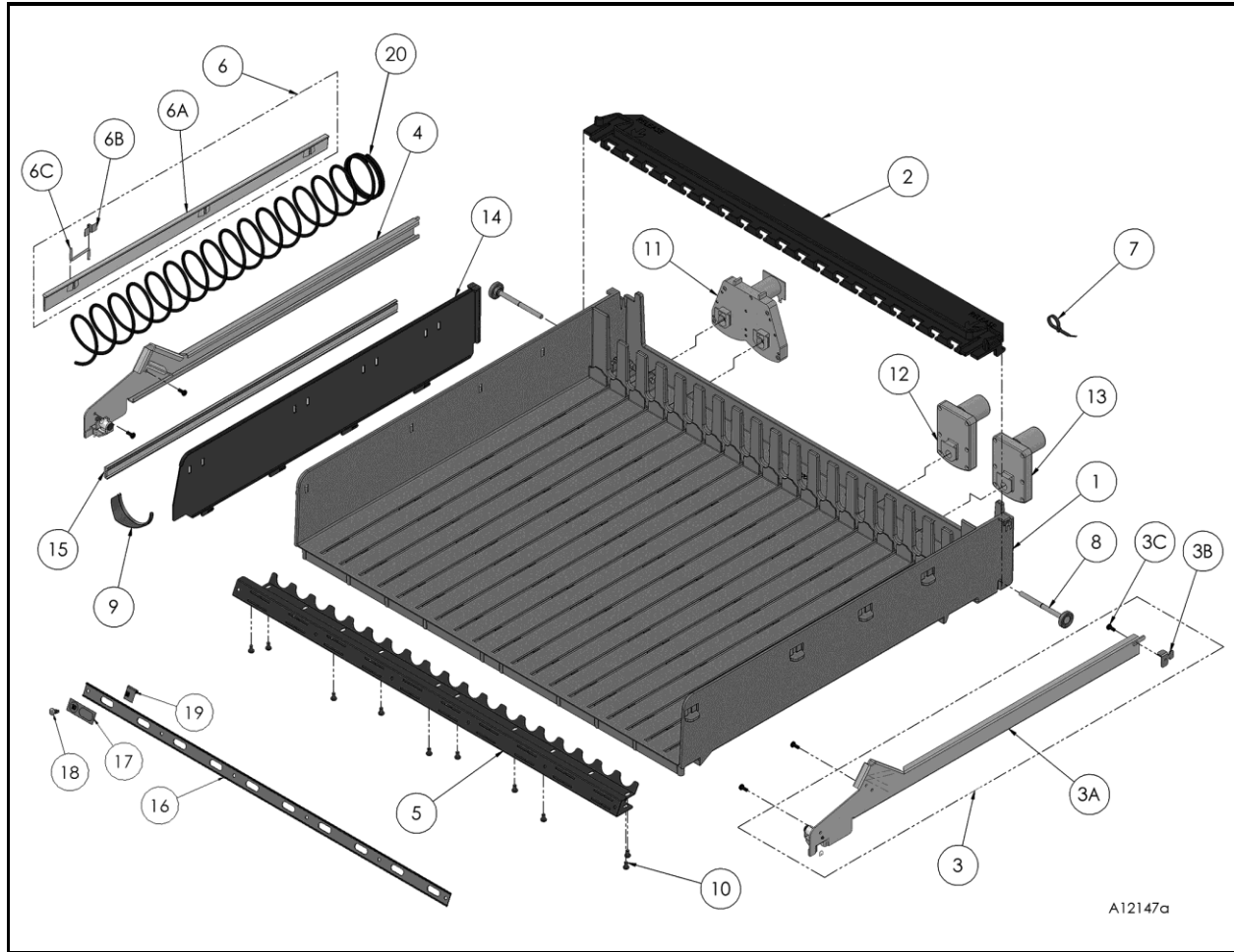
SLIDER BOX ASSEMBLY PARTS LIST

ITEM NO.	PART NUMBER	3605	3606	DESCRIPTION
1	4212194.001	6	6	5/32 RIVET - BLACK
2	4224768	1	1	OUTER SLIDER BOX
3	4224769	1	1	INNER SLIDE BOX
4	4224883	2	2	ROLLER SLIDE - 18"
5	8801011	6	6	#8 FLAT WASHER
6	4050212	14	14	8-32X1/4" PHILLIPS PAN HEAD TYP 23 ZN
7	4226347	2	2	INNER SLIDER BOX BRACE
8	4226193.001	1	1	PULLOUT ALIGNMENT BRACKET

AR AS REQUIRED

XXX SPECIFY FINISH/COLOR

PLASTIC TRAY ASSEMBLY- 5W



A12147a

PLASTIC TRAY ASSEMBLY PARTS LIST

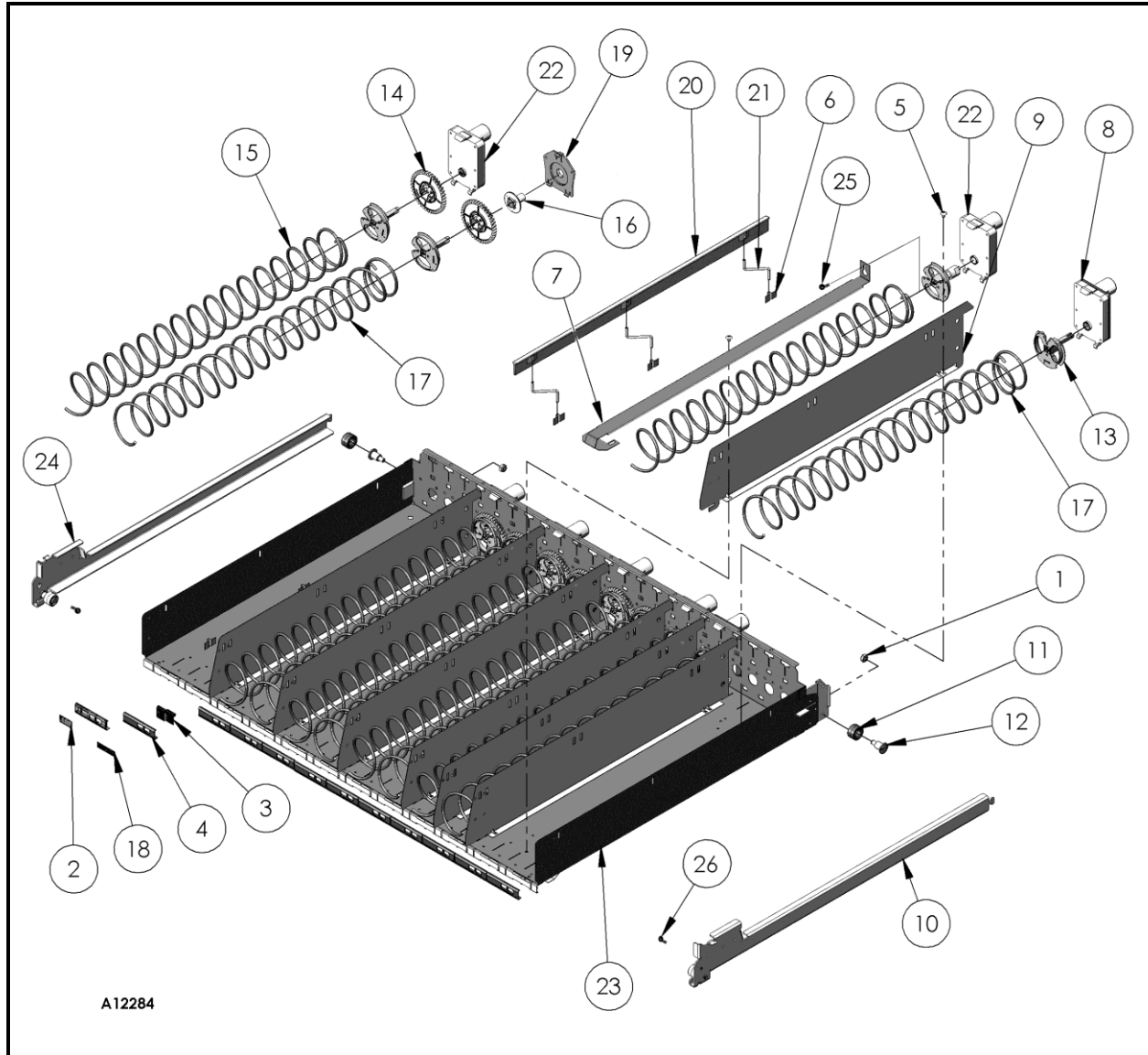
ITEM NO.	PART NUMBER	3605	DESCRIPTION
1	4220910	1	PLASTIC TRAY - 5W
2	4210731.005	1	MOTOR COVER 5W
3	1219107	AR	SIDE RAIL AND BRACKET ASSY
3A	1215925	AR	RAIL ASSEMBLY LONG RIGHT
3B	4216146	AR	TRAY RAIL BRACKET
3C	4050239	AR	8-32X3/8 PHL PAN HEAD TY-T
4	1215925.001	AR	RAIL ASSEMBLY LONG LEFT
5	4221358.000309	1	TRAY FRONT (5W) (WITH SCROLL OPENINGS)
	4221358.001309	1	TRAY FRONT (5W) (W/O SCROLL OPENINGS)
6	1215390	AR	SPACER KIT
6A	8370660.5	AR	SPACER
6B	4200281	AR	SPRING CLIP
6C	8370998	AR	SUPPORT-SPACER

AR AS REQUIRED

XXX SPECIFY FINISH/COLOR

ITEM NO.	PART NUMBER	3605	DESCRIPTION
7	4033712	1	CABLE TIE 7 3/8"
8	4221188	2	ROLLER
9	4226049.12	AR	PRODUCT PUSHER/12PACK
10	8801322	10	8-18X1/2" PHILLIP PAN HEAD HI-LO SCREW
11	4205436	AR	DUAL HELIX MOTOR (C)
12	4034388	AR	24VDC MOTOR-360 DEGRE
13	4034388.001	AR	24VDC MOTOR – 180 DEGREE
14	4210732.001	AR	DIVIDER
15	4223108	AR	G&M SPACER STRIP
16	4221359.005	AR	LABEL HOLDER (W/SCROLL OPENINGS)
	4221359.015	AR	LABEL HOLDER (W/O SCROLL OPENINGS)
17	4218816	1	SELECTION SCROLL COVER
18	4205329	AR	ARROW CLIP
19	4222058	AR	PRICE SCROLL
20	SEE PAGE # 33	AR	SPIRALS (<i>SPECIFY SPIRAL TYPE & COUNT</i>)
LIST OF PARTS NOT SHOWN			
21	4203508.005	AR	TRAY HARNESS (5W)

METAL SNACK TRAY ASSEMBLY- 6W



METAL SNACK TRAY ASSEMBLY PARTS LIST

ITEM NO.	PART NUMBER	3606	DESCRIPTION
1	4216407	AR	1/4 NUT W/NYLON WASHER
2	4226152	AR	SELECTION IDENTIFICATION SHEET/6W
3	4222058	AR	PRICE SCROLL
4	4225808	AR	SNAP-IN SCROLL/ LABEL HOLDER
5	4223603	AR	8-32 X 1/4" PHILLIPS TH TYP 23 ZN
6	4200281	AR	SPRING CLIP
7	4226592	AR	RISER
8	4219956	AR	SNAP-IN MOTOR - CW
9	4224798	AR	DIVIDER

AR AS REQUIRED

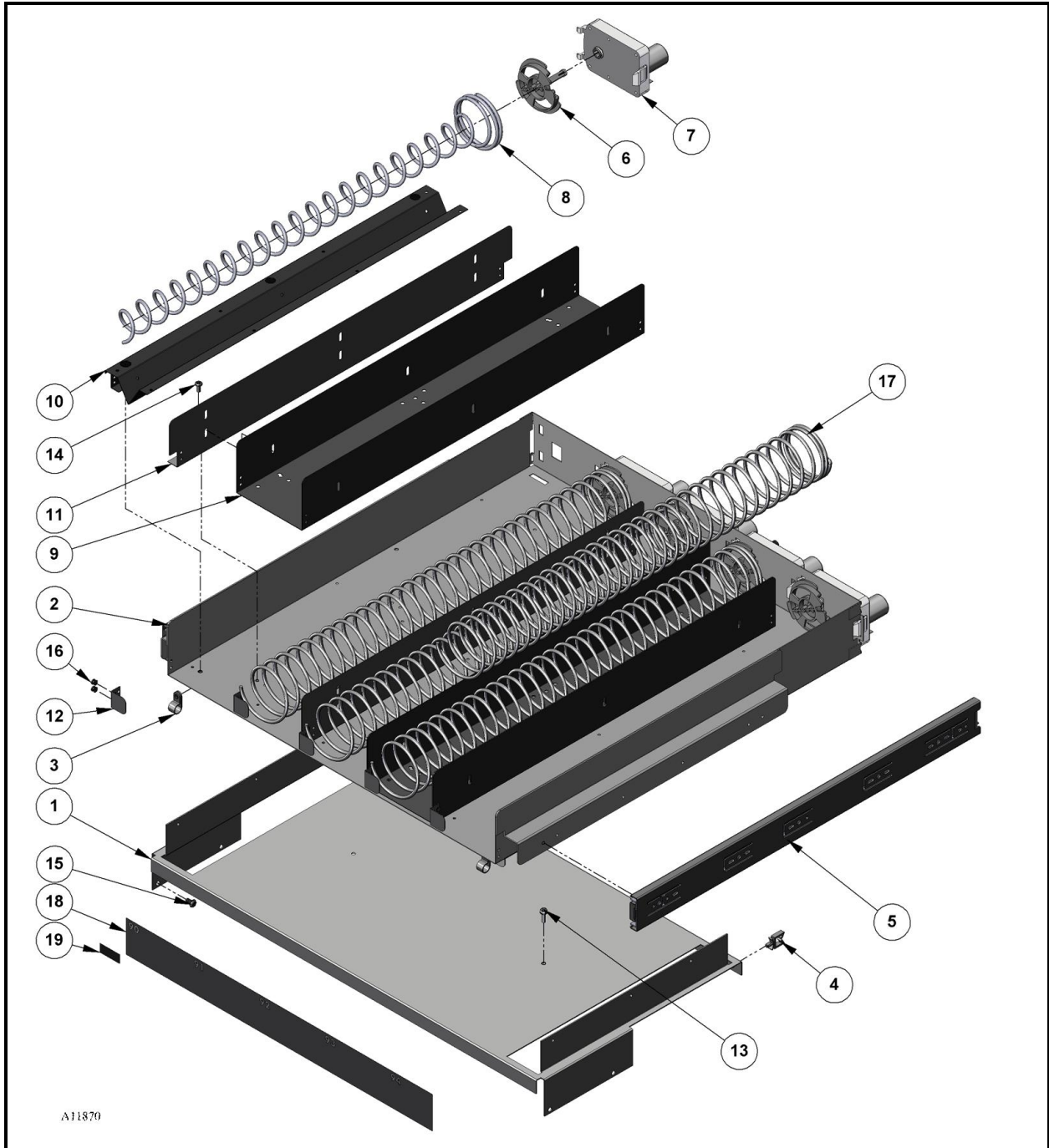
XXX SPECIFY FINISH/COLOR

ITEM NO.	PART NUMBER	3606	DESCRIPTION
10	1220500.001	AR	TRAY RAIL ASSEMBLY-RH
	1220500.003	2	TRAY RAIL ASSEMBLY-RH (NO TILT – BOTTOM 2 ROWS)
11	4225870	AR	TRAY ROLLER
12	4225839	AR	METAL ROLLER HUB
13	4225966	AR	SPIRAL ADAPTER
14	4225967	AR	GEAR ADAPTER
15	4225954.XXXXXX	AR	SPIRAL-Ø2.563/CCW SEE PG # 34
16	4226045	AR	MOTOR REPLACEMENT ADAPTER
17	4226057.XXXXXX	AR	SPIRAL-Ø2.563/CW SEE PG # 34
18	4226153	AR	PRESS SELECTION LABEL/METAL TRAY/6W (ENGLISH)
	4226153.001	AR	PRESS SELECTION LABEL/METAL TRAY/6W (SPANISH)
	4226153.002	AR	PRESS SELECTION LABEL/METAL TRAY/6W (FRENCH)
19	4226415	AR	PINION GEAR ADAPTER HOLDER
20	8370660.5	AR	SPACER
21	8370998	AR	SUPPORT-SPACER
22	4216379.004	AR	MOTOR SNAP-IN 360 DEG/CCW
23	1220485.000330	AR	METAL SNACK TRAY WELD/6W
24	1220500	AR	TRAY RAIL ASSEMBLY-LH
	1220500.002	2	TRAY RAIL ASSEMBLY-LH (NO TILT – BOTTOM 2 ROWS)
25	4225024	AR	6-32 X 1/4" PHILLIPS PAN HEAD PLASTITE SCREW
26	4226784	AR	8-32 x 3/8" PHILLIPS FLAT UNDERCUT HEAD TYPE T
LIST OF PARTS NOT SHOWN			
27	4226000	AR	TRAY HARNESS (6W)

AR AS REQUIRED

XXX SPECIFY FINISH/COLOR

G & M TRAY ASSEMBLY



AR AS REQUIRED

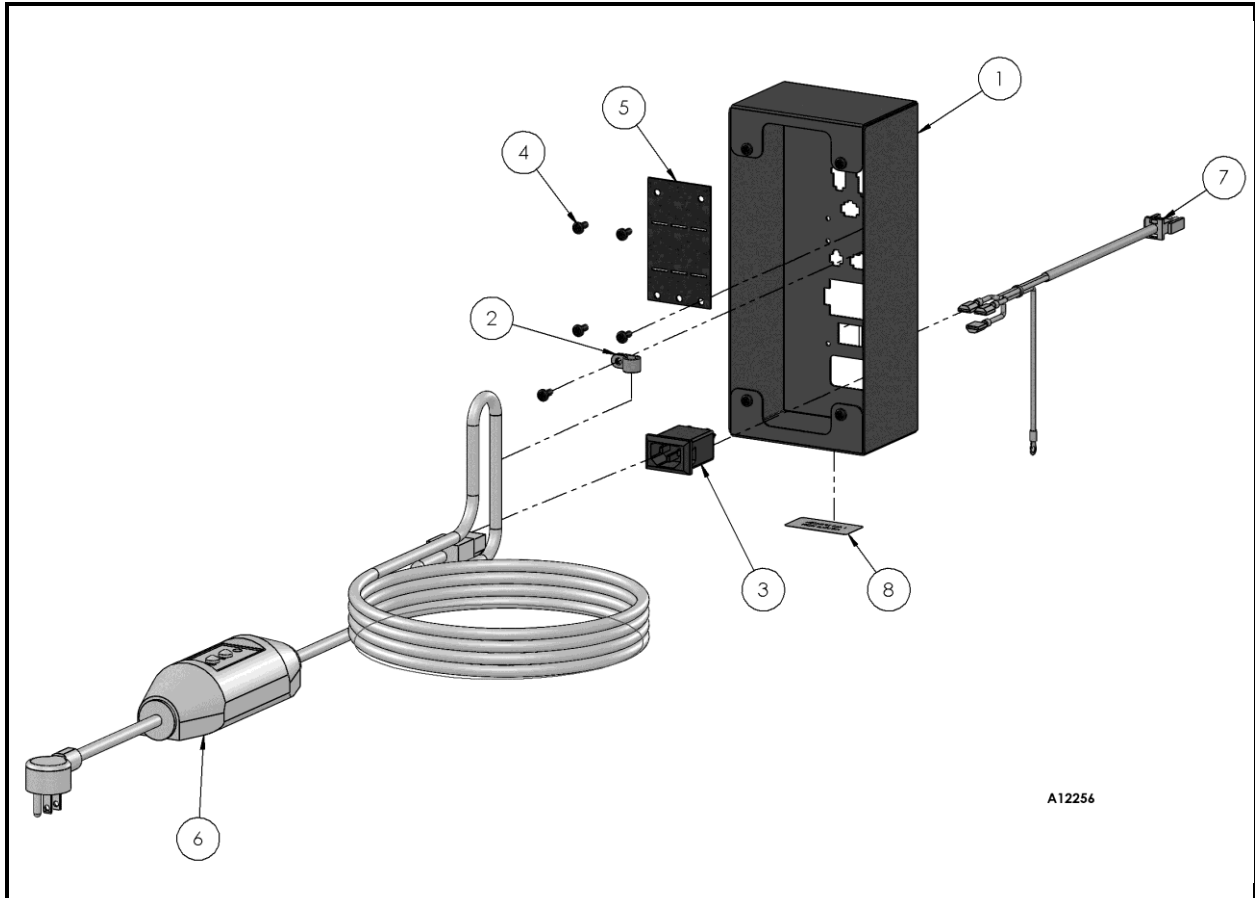
XXX SPECIFY FINISH/COLOR

ITEM NO.	PART NUMBER	3605	DESCRIPTION.
1	4225002.000330	1	G & M SHELF (5W)
2	1217951.000330	1	G & M TRAY WELD – 5W
3	8324099.4	3	CLAMP - 3/8 X 3/8
4	4216313	2	CLAMP
5	4216499	2	DRAWER SLIDE
6	4216378	5	SPIRAL ADAPTER
7	4216379.004	5	MOTOR SNAP-IN 360 DEG
8	4213397.000309	AR	SPIRAL, DIA. 1-1/8, 38 COUNT
	4213397.001309	AR	SPIRAL, DIA. 1-1/8, 12 COUNT
	4213397.002309	AR	SPIRAL, DIA. 1-1/8, 15 COUNT
	4213397.003309	AR	SPIRAL, DIA. 1-1/8, 24 COUNT
	4213397.004309	AR	SPIRAL, DIA. 1-1/8, 30 COUNT
	4213397.005309	AR	SPIRAL, DIA. 1-1/8, 20 COUNT
9	4218419.000330	2	G & M DIVIDER
10	4218422.000330	AR	G & M SPACER
11	4218443.000330	5	G & M TRAY DIVIDER
12	4218423.000330	5	G & M LABEL MOUNT
13	4050202	4	8-18X1/2 PHILLIPS HWH TEK
14	4050239	AR	8-32X3/8 PHL PAN HEAD TY-T
15	8800638	4	10-16X3/8 PHL PAN HEAD TYPE
16	4050667.001	10	1/8X.125 POP RIVET
17	SEE PAGE # 33	AR	SPIRALS (<i>SPECIFY SPIRAL TYPE & COUNT</i>)
18	4220270	-	G & M LABEL – 4W (ATTACHED IN DELIVERY BOX)
	4218418	1	G & M LABEL – 5W (ATTACHED IN DELIVERY BOX)
19	4218487	1	G & M PRICE LABEL (\$.75 - \$2.50)
	4218487.001	1	G & M PRICE LABEL (\$.50 - \$1.00)

AR AS REQUIRED

XXX SPECIFY FINISH/COLOR

CONNECTION BOX ASSEMBLY



A12256

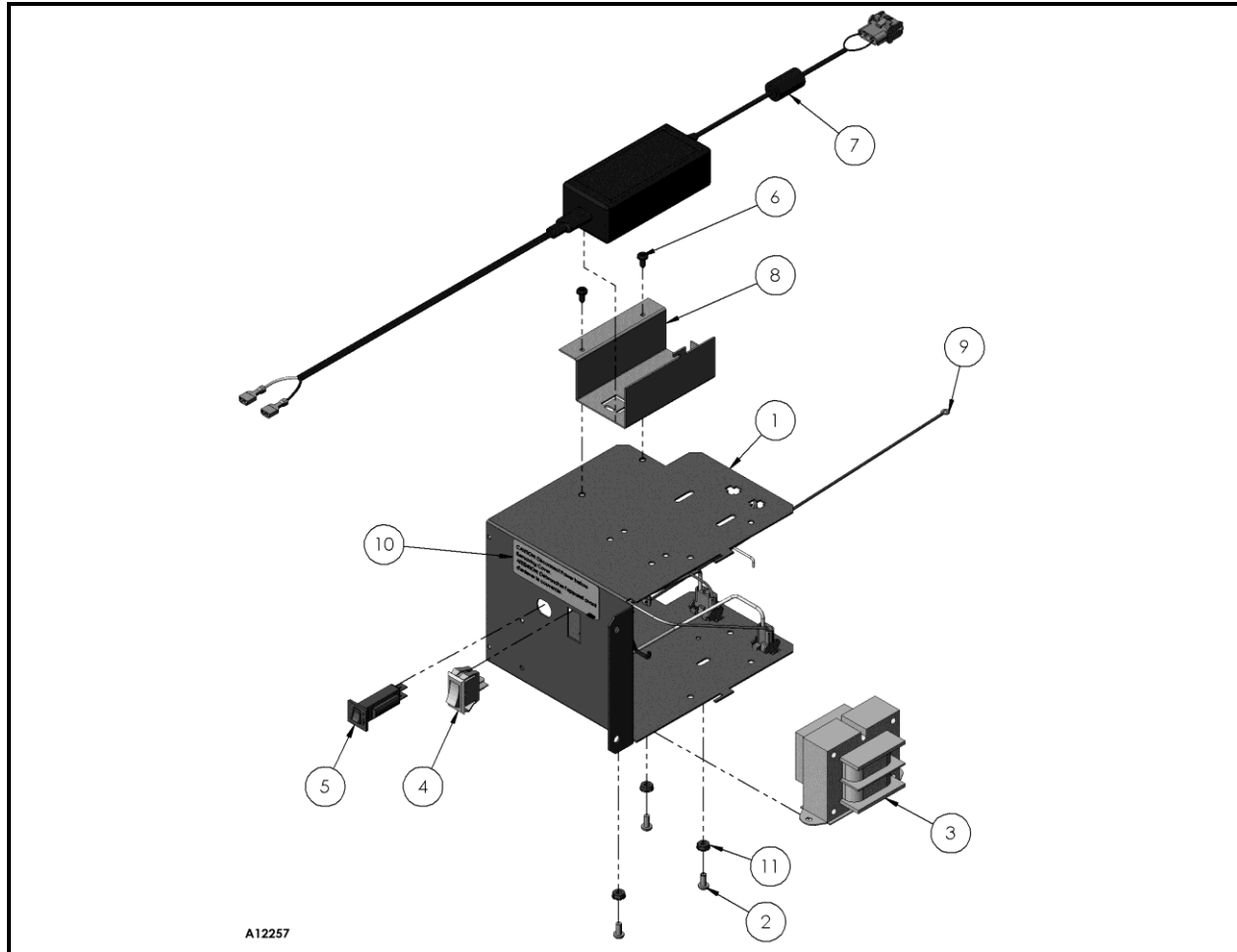
CONNECTION BOX ASSEMBLY PARTS LIST

ITEM NO.	PART NUMBER	3605	3606	DESCRIPTION
1	4223404.000330	1	1	CONNECTION BOX
2	8324099.4	1	1	3/8 x 3/8 CLAMP
3	4212490.001	1	1	RFI FILTER IEC SOCKET 10AMP
4	4050239.001	12	12	8-32 x 3/8 PHILLIPS PAN HEAD TYP 23
5	4217384	1	1	CONNECTION BOX FILLER
6	4216016	1	1	GFCI POWER CORD
7	4216298	1	1	POWER HARNESS
8	4224489	1	1	1" X 2" LABEL

AR AS REQUIRED

XXX SPECIFY FINISH/COLOR

POWER BOX ASSEMBLY



A12257

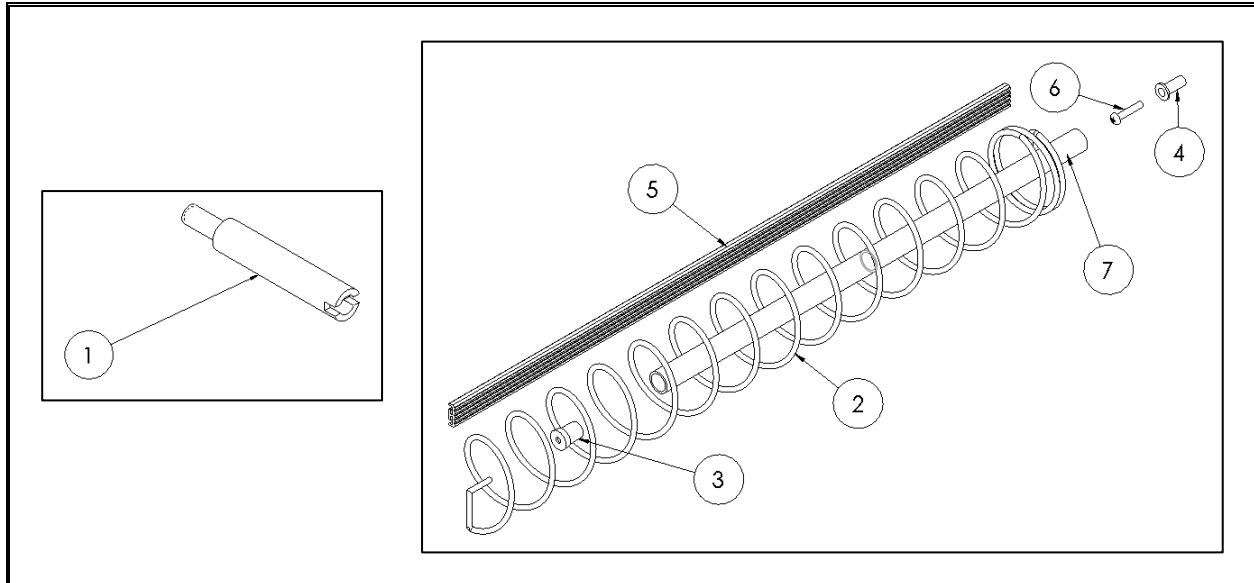
POWER BOX ASSEMBLY PART LIST

ITEM NO.	PART NUMBER	3605	3605	DESCRIPTION
1	4225138	1	1	POWER BOX
2	4050240	3	3	8-32 x .375 PHILLIPS PAN HEAD MS
3	4216297.004	1	1	TRANSFORMER
4	4202088	1	1	ROCKER SWITCH - PUSH-IN
5	4203467.003	1	1	3 AMP CIRCUIT BREAKER
6	4050423	2	2	8-18 X 3/8 PHILLIPS PAN HEAD TY-A
7	4225056	1	1	POWER SUPPLY
8	4220943	1	1	LED POWER SUPPLY MOUNT
9	1211465.003	1	1	16" GROUND WIRE GR/YL
10	4222182	1	1	WARNING LABEL
11	8800956	3	3	8-32 HEX NUT W/ETW
LIST OF PARTS NOT SHOWN				
12	4220944	1	1	LED POWER SUPPLY JUMPER

AR AS REQUIRED

XXX SPECIFY FINISH/COLOR

OPTIONAL PARTS



OPTIONAL PARTS LIST

ITEM NO.	PART NUMBER	QTY	DESCRIPTION
1	4202698	AR	HIGH CAPACITY SHAFT RETAINER (USED W/HiCap SPIRALS)
2	SEE PAGE # 33	AR	G&M SPIRAL (<i>SPECIFY SPIRAL TYPE & COUNT</i>)
3	4203101	AR	END CAP
4	4210900	AR	SHOULDER BUSHING
5	4223108	AR	G&M SPACER STRIP
6	8810035.001	AR	#10 -24 X 1" TRUSS HD PAN HEAD SCREW
7	4202625.001	AR	G&M SPIRAL TUBE
8	4034388.001	AR	MOTOR – 180 DEGREE (NOT SHOWN – REQ'D FOR G&M OPT)

AR AS REQUIRED

XXX SPECIFY FINISH/COLOR

OPTIONAL SPIRALS FOR 5W

SINGLE SPIRAL - CCW PART NUMBER	DUAL SPIRAL - CW PART NUMBER	SPIRAL SIZE	SPIRAL COUNT	ESTIMATED PRODUCT SIZE INCHES (MM)
4200272.100309	4205532.100309	Candy	15	1.22 (31)
4200272.101309	4205532.101309	Candy	18	1.00 (25)
4200272.102309	4205532.102309	Candy	24	0.71 (18)
4200272.103309	4205532.103309	Candy	30	0.51 (13)
4200272.104309	4205532.104309	Candy	12	1.55 (39)
4200272.105309	4205532.105309	Candy	9	2.10 (53)
4200272.106309	4205532.106309	Candy	6	3.16 (80)
4200272.107309		Snack	10	1.89 (48)
4200272.108309		Snack	12	1.55 (39)
4200272.109309		Snack	15	1.22 (31)
4200272.110309		Snack	7	2.71 (69)
4200272.111309		Snack	8	2.37 (60)
4200272.131309	4205532.131309	Candy	10	1.89 (48)
4200272.132309	4205532.132309	Candy	11	1.72 (44)
4200272.133309		Snack	30	0.51 (13)
4200272.134309	4205532.134309	Snack	18	1.00 (25)
4200272.137309		Snack	11	1.72 (44)
4200272.138309		Snack	6	3.16 (80)
4200272.139309		Snack	5	3.50 (89)
4200272.140309		Snack	12	1.63 (41)
4200272.141309		Candy	29 1/2	0.52 (13)
4200272.142309	4205532.142309	Candy	8	2.37 (60)
4200272.145309	4205532.145309	Candy	5	3.50 (89)
4200272.147309	4205532.147309	Candy	4	4.38 (111)
4200272.148309	4205532.148309	Candy	3	5.80 (147)
4202313.100309		G&M	18/36	1.00 (25)
4202313.102309		G&M	24/48	0.71 (18)
4202313.103309		HiCap	30/60	0.50 (13)
4202313.104309		HiCap	24/48	0.71 (18)
4202313.105309		HiCap	18/36	1.00 (25)
4202313.106309		HiCap	15/30	1.22 (31)
4202313.107309		G&M	20/40	0.86 (22)
4202313.108309		HiCap	12/24	1.55 (39)

OPTIONAL SPIRALS FOR 6W

SINGLE SPIRAL - CCW PART NUMBER	DUAL SPIRAL - CW PART NUMBER	SPIRAL SIZE	SPIRAL COUNT	ESTIMATED PRODUCT SIZE INCHES (MM)
4225954.003309	4226057.003309	Candy	3	4.669 (119)
4225954.004309	4226057.004309	Candy	4	3.941 (100)
4225954.005309	4226057.005309	Candy	5	3.372 (86)
4225954.006309	4226057.006309	Candy	6	2.926 (74)
4225954.007309	4226057.007309	Candy	7	2.572 (65)
4225954.008309	4226057.008309	Candy	8	2.287 (58)
4225954.009309	4226057.009309	Candy	9	2.053 (52)
4225954.010309	4226057.010309	Candy	10	1.858 (47)
4225954.011309	4226057.011309	Candy	11	1.694 (43)
4225954.012309	4226057.012309	Candy	12	1.554 (39)
4225954.015309	4226057.015309	Candy	15	1.235 (31)
4225954.018309	4226057.018309	Candy	18	1.015 (26)
4225954.024309	4226057.024309	Candy	24	.733 (19)
4225954.026309	4226057.026309	Candy	26	.667 (17)
4225954.029309	4226057.029309	Candy	29	.584 (15)
4225954.030309	4226057.030309	Candy	30	.560 (14)

AR AS REQUIRED

XXX SPECIFY FINISH/COLOR

NOTES

The contents of this publication are presented for informational purposes only, and while every effort has been made to ensure their accuracy, they are not to be construed as warranties or guarantees, express or implied, regarding the products or services described herein or their use or applicability. We reserve the right to modify or improve the designs or specifications of such products at any time without notice.



VendNet™
165 North 10th Street
Waukee, Iowa 50263
United States of America



	USA & Canada	International
Service	(800) 833-4411	(515) 274-3641
Parts	(888) 259-9965	
Email	vendnet@vendnetusa.com	
Web Site	www.vendnetusa.com	