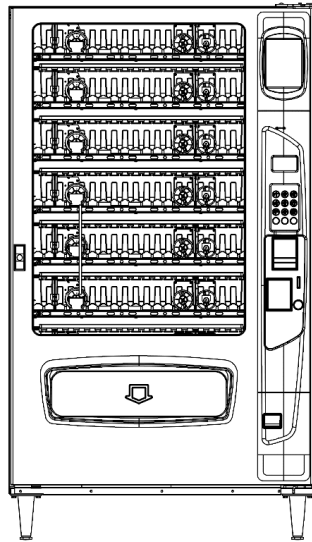
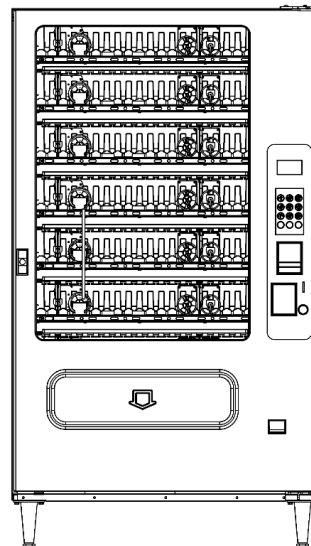


# **WS/HR Series PARTS MANUAL**



**WS SERIES**



**HR SERIES**

## **MODELS:**

**3573/3573A: WS/HR3000**

**3574/3574A: WS/HR3000**

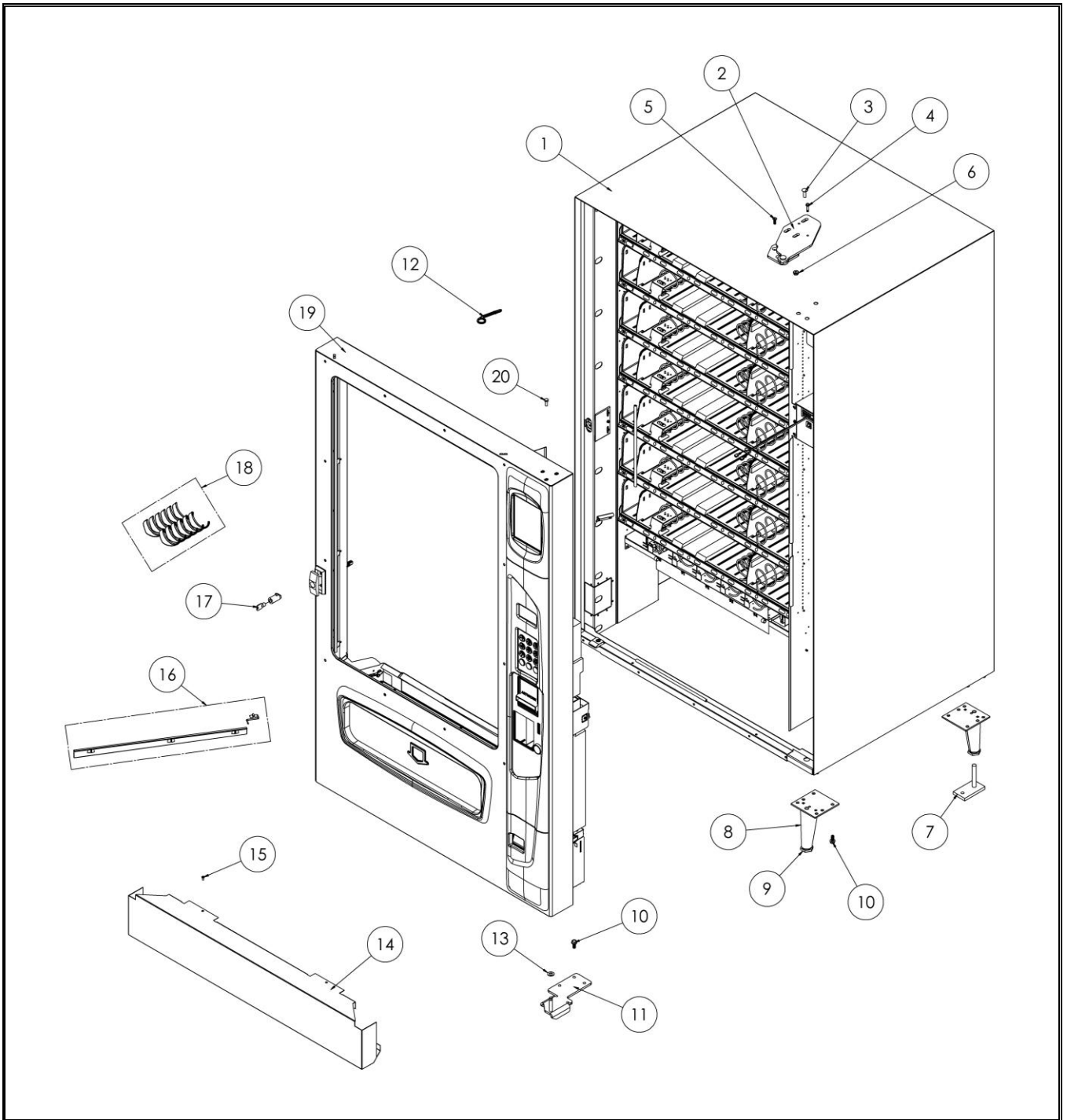
**3575/3575A: WS/HR3000**



# TABLE OF CONTENTS

<b>FINAL ASSEMBLY</b> .....	1
<i>FINAL ASSEMBLY PARTS LIST</i> .....	2
<b>DOOR ASSEMBLY</b> .....	3
<i>DOOR ASSEMBLY PARTS LIST</i> .....	4
<b>CABINET ASSEMBLY</b> .....	6
<i>CABINET ASSEMBLY PARTS LIST</i> .....	7
<b>DELIVERY BOX ASSEMBLY</b> .....	8
<i>DELIVERY BOX ASSEMBLY PARTS LIST</i> .....	9
<b>TRAY ASSEMBLY – 3000 (NEW STYLE)</b> .....	10
<i>TRAY ASSEMBLY - 3000 (NEW STYLE) PART LIST</i> .....	10
<b>TRAY ASSEMBLY – 5000</b> .....	11
<i>TRAY ASSEMBLY 5000 PART LIST</i> .....	11
<b>TRAY ASSEMBLY 3000 &amp; 4000 (OLD STYLE)</b> .....	13
<i>TRAY ASSEMBLY 3000 &amp; 4000 (OLD STYLE) PARTS LIST</i> .....	14
<b>POWER BOX ASSEMBLY</b> .....	15
<i>POWER BOX ASSEMBLY PART LIST</i> .....	15
<b>SIDE LED ASSEMBLY</b> .....	16
<i>SIDE LED ASSEMBLY (RIGHT) PARTS LIST</i> .....	16
<b>TOP LED ASSEMBLY</b> .....	17
<i>TOP LED ASSEMBLY – 3000 PARTS LIST</i> .....	17
<b>POINT-OF-PURCHASE ASSEMBLY</b> .....	18
<i>POINT-OF-PURCHASE LED ASSEMBLY 12VDC PARTS LIST</i> .....	18
<b>CONNECTION BOX ASSEMBLY</b> .....	19
<i>CONNECTION BOX ASSEMBLY PART LIST</i> .....	19
<b>G &amp; M TRAY ASSEMBLY (4W &amp; 5W)</b> .....	20
<i>G &amp; M TRAY ASSEMBLY (4W &amp; 5W) PARTS LIST</i> .....	21
<b>COIN MECH MOUNT ASSEMBLY</b> .....	22
<i>COIN MECH MOUNT ASSEMBLY PARTS LIST</i> .....	22
<b>COIN RETURN MECHANISM ASSEMBLY</b> .....	23
<i>COIN RETURN MECHANISM ASSEMBLY PARTS LIST</i> .....	23
<b>MECHANICAL LIFT DELIVERY BOX</b> .....	24
<i>MECHANICAL LIFT DELIVERY BOX ASSEMBLY PARTS LIST</i> .....	25
<b>HIGH SECURITY FRONT - OPTION</b> .....	27
<i>HIGH SECURITY FRONT – OPTION PARTS LIST</i> .....	27
<b>OPTIONAL SPIRALS</b> .....	28
<b>OPTIONAL PRICE SCROLLS (OLD STYLE PLASTIC TRAYS)</b> .....	29
<b>OPTIONAL PARTS</b> .....	30
<i>OPTIONAL PARTS LIST</i> .....	30

# FINAL ASSEMBLY



XXX: SPECIFY PAINT COLOR, DECAL TEXT/ARTWORK, OR SIZE REQUIRED WHEN ORDERING - A/R: AS REQUIRED - OPT: OPTION

**FINAL ASSEMBLY PARTS LIST**

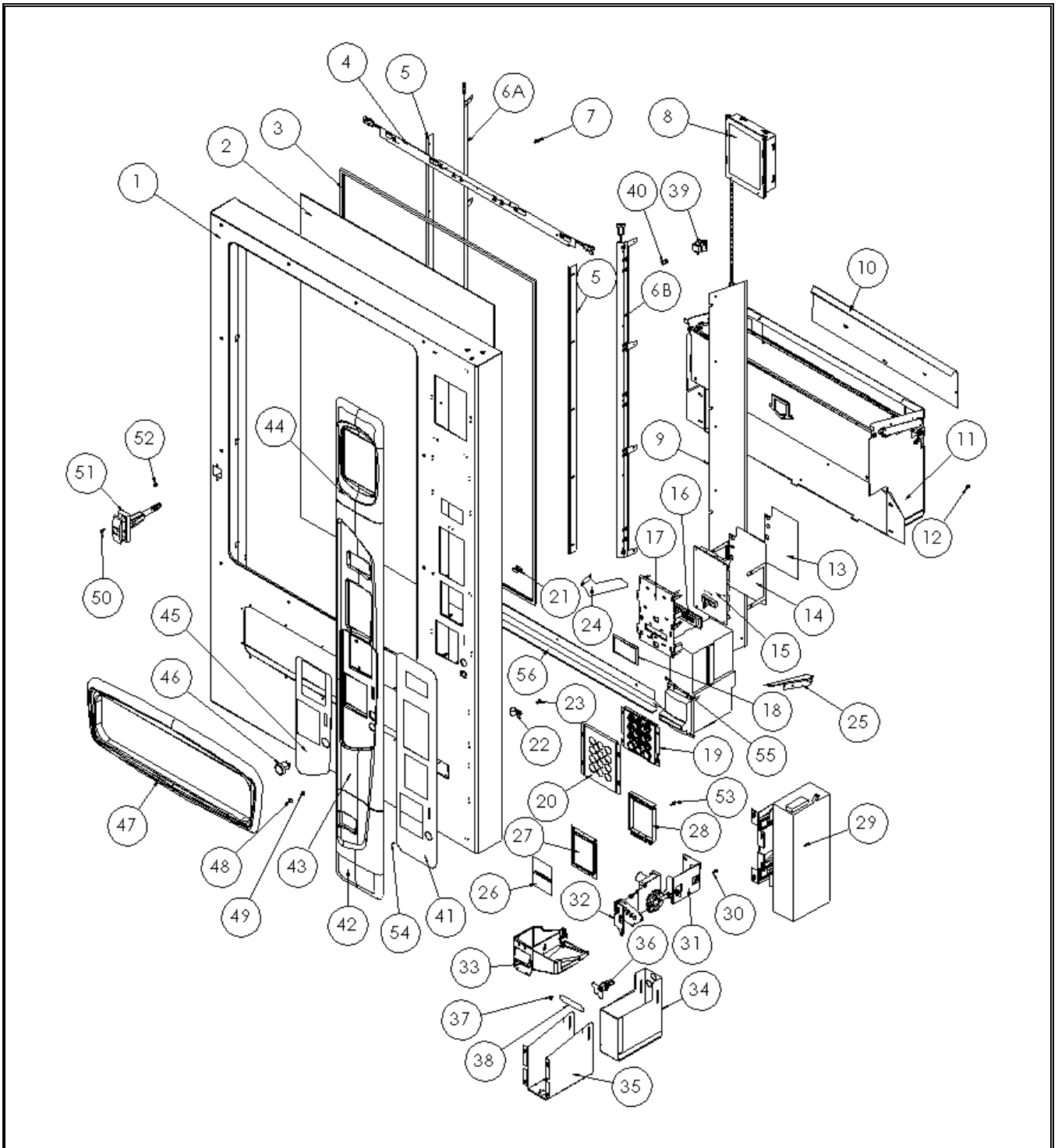
ITEM NO.	PART NUMBER	3000	4000	5000	DESCRIPTION
1	<a href="#">(SEE PAGE # 6)</a>	1	1	1	CABINET ASSEMBLY
2	1217321.000XXX	1	1	1	TOP HINGE ASSEMBLY
3	8810013	3	3	3	5/16" – 18 X 1" CARRIAGE BOLT
4	4215175	2	2	2	#12-18 X 1" HWH TEK SCREW
5	4212089	3	3	3	1/4" – 20 X 3/4" SCKT FLT HD SCREW
6	8810015	3	3	3	5/16" – 18 FLANGE HEX NUT
7	1216964.000330	OPT	OPT	OPT	LEG BOLT DOWN WELD
8	1214704.001	4	4	4	LEG ASSEMBLY (6")
9	4219208	4	4	4	LEG LEVELER (INC. W / ITEM 8)
10	8801388	19	19	19	5/16" – 18 X 3/4" HWH SCREW
11	1219108.000XXX	1	1	1	BOTTOM HINGE STAKE ASSY
12	4222799	A/R	A/R	A/R	TRAY SHIPPING RETAINER
13	4050767	2	2	2	3/8" FLAT WASHER – BLACK
14	4216840.003XXX	OPT	-	-	KICK PANEL / 3W
	4216840.004XXX	-	OPT	-	KICK PANEL / 4W
	4216840.005XXX	-	-	OPT	KICK PANEL / 5W
15	4050239	OPT	OPT	OPT	#8-32 X 3/8" SCREW
16	1215390	1	1	1	SPACER KIT
16A	4200281	12	12	12	SPRING CLIP
16B	8370660.5	4	4	4	SPACER
16C	8370998	12	12	12	SUPPORT - SPACER
17	4060330	1	1	1	LOCK CYLINDER WKEYS
	4060330.051	A/R	A/R	A/R	B0001 KEY
	4060330.052	A/R	A/R	A/R	B0300 KEY
	4060330.053	A/R	A/R	A/R	B0600 KEY
	4060330.055	A/R	A/R	A/R	A9900 KEY
	4060330.111	A/R	A/R	A/R	B0900 KEY
18	4025748.12	1	1	1	PRODUCT EJECTOR (12 PACK)
19	<a href="#">(SEE PAGE # 3)</a>	1	1	1	DOOR ASSEMBLY
20	4201239	1	1	1	1/4" – 20 X 3/4" BOLT (DOOR STOP)

**LIST OF PARTS NOT SHOWN**

4216507	A/R	A/R	A/R	PROGRAMMING MANUAL – GVC2
4216961	A/R	A/R	A/R	PROGRAMMING MANUAL – GVC1
4216320	1	1	1	SERVICE MANUAL

XXX: SPECIFY PAINT COLOR, DECAL TEXT/ARTWORK, OR SIZE REQUIRED WHEN ORDERING - A/R: AS REQUIRED – OPT: OPTION

# DOOR ASSEMBLY



<sup>1</sup> NOTE: SPECIFY DOOR TYPE (WITH/WITHOUT OPTIONAL STYLING BEZEL, WITH/WITHOUT OPTIONAL HIGH SECURITY AND PAINT COLOR WHEN ORDERING)

XXX: SPECIFY PAINT COLOR, DECAL TEXT/ARTWORK, OR SIZE REQUIRED WHEN ORDERING - A/R: AS REQUIRED - OPT: OPTION

**DOOR ASSEMBLY PARTS LIST**

ITEM NO.	PART NUMBER	3000	4000	5000	DESCRIPTION
1	1219314.000XXX	1	-	-	DOOR WELD 3W <sup>1</sup>
	1219347.000XXX	-	1	-	DOOR WELD 4W <sup>1</sup>
	1219293.000XXX	-	-	1	DOOR WELD 5W <sup>1</sup>
2	4202051.013	1	-	-	DISPLAY GLASS/ 3W
	4202051.014	-	1	-	DISPLAY GLASS/ 4W
	4202051.012	-	-	1	DISPLAY GLASS/ 5W
3	4202039.003	1	-	-	WINDOW GASKET / 3W
	4202039.004	-	1	-	WINDOW GASKET / 4W
	4202039.005	-	-	1	WINDOW GASKET / 5W
4	<a href="#">(SEE PAGE # 17)</a>	1	1	1	TOP LED ASSEMBLY
5	4222664.000330	2	2	2	SIDE WINDOW RETAINER
6A	1218681.001 <a href="#">(SEE PAGE # 16)</a>	1	1	1	SIDE LED ASSY / LEFT
6B	1218681 <a href="#">(SEE PAGE # 16)</a>	1	1	1	SIDE LED ASSY / RIGHT
7	4050420.001	A/R	A/R	A/R	#8-18 X 1/4" HWH SCREW/BLK
8	<a href="#">(SEE PAGE # 18)</a>	OPT	OPT	OPT	POINT OF PURCHASE ASSEMBLY
9	4216545.000330	1	1	1	RIGHT DOOR PARTITION
10	4218431.000330	-	OPT	-	DELIVERY BOX BACK FILLER (4W) (STANDARD DEL BOX)
	4218412.000330	-	-	OPT	DELIVERY BOX BACK FILLER (5W) (STANDARD DEL BOX)
11	<a href="#">(SEE PAGE # 8)</a>	1	1	1	DELIVERY BOX ASSEMBLY
12	8800638	4	4	4	#10-16 X 3/8" PHL PH SCREW
13	4216031.004	A/R	A/R	A/R	SERVICE MODEL LABEL – GVC 1
	4216031	A/R	A/R	A/R	SERVICE MODEL LABEL – GVC 2
14	4222729.000330	1	1	1	CIRCUIT BOARD COVER
15	4213942.004	A/R	A/R	A/R	CONTROL BOARD – GVC1
	4214682.004	A/R	A/R	A/R	CONTROL BOARD – GVC2
16	4222283	A/R	A/R	A/R	VF DISPLAY – GVC2 ONLY
17	4222728	1	1	1	CIRCUIT BOARD MOUNT
18	4202841.017	A/R	A/R	A/R	READOUT WINDOW – GVC 1
	4202841.009	A/R	A/R	A/R	READOUT WINDOW – GVC 2
19	1216670.002	A/R	A/R	A/R	KEYPAD (W/O LED) – GVC 1
	1216670	A/R	A/R	A/R	KEYPAD (W/ LED) – GVC 2
20	4218809.000330	1	1	1	KEYPAD FILLER
21	4216313	A/R	A/R	A/R	CLAMP
22	8324099.7	A/R	A/R	A/R	1/2 X 5/8 CLAMP
23	4223288	A/R	A/R	A/R	KEYHOLE CLIP
24	<a href="#">(SEE PAGE # 8)</a>	1	1	1	LEFT DELIVERY DEFLECTOR
25	<a href="#">(SEE PAGE # 8)</a>	1	1	1	RIGHT DELIVERY DEFLECTOR
26	4217574.XXX	1	1	1	FILLER DECAL (SPECIFY COLOR/TEXT)
27	4217573	1	1	1	PERIPHERAL FILLER
28	4219644	A/R	A/R	A/R	PERIPHERAL SPACER
29	<a href="#">(SEE PAGE # 22)</a>	1	1	1	COIN MECH MOUNT ASSEMBLY
30	4050240	3	3	3	#8-32 X 3/8" PHIL PH MS
31	4220349.001330	1	1	1	COIN RETURN MECHANISM COVER
32	<a href="#">(SEE PAGE # 23)</a>	1	1	1	COIN RETURN MECHANISM

XXX: SPECIFY PAINT COLOR, DECAL TEXT/ARTWORK, OR SIZE REQUIRED WHEN ORDERING - A/R: AS REQUIRED – OPT: OPTION

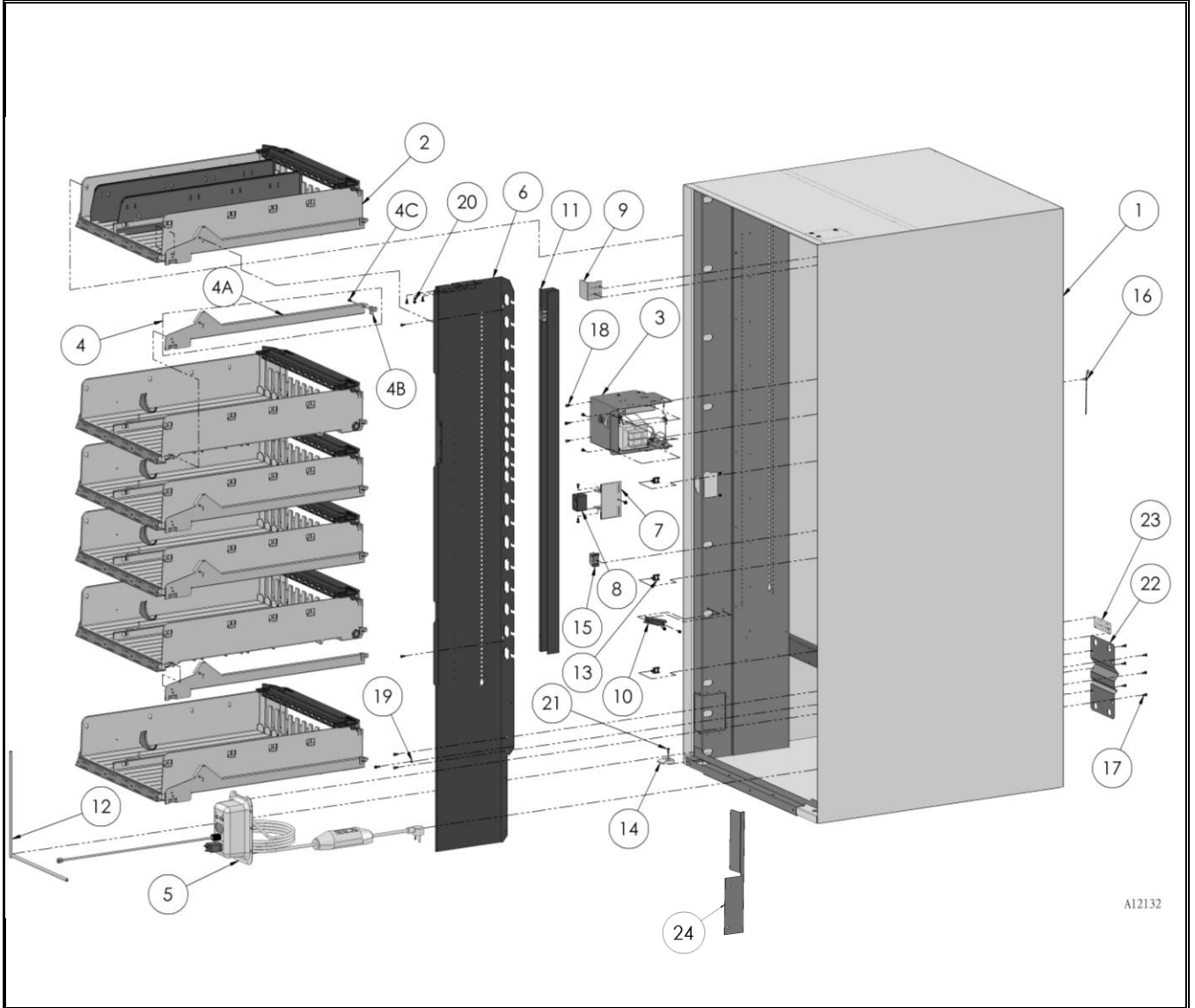
ITEM NO.	PART NUMBER	3000	4000	5000	DESCRIPTION
33	1218361	1	1	1	COIN CUP ASSEMBLY
34	4219350.001330	1	1	1	COIN BOX - WELDED
	4223246	OPT	OPT	OPT	COIN BOX - MOLDED
35	4219374.000330	1	1	1	COIN BOX MOUNT
37	8800956	A/R	A/R	A/R	#8-32 HEX NUT W/EXT
38	4219375	1	1	1	COIN BOX BRACE
39	4212621	OPT	OPT	OPT	SWITCH (DOOR)
40	8324099.1	1	1	1	3/8 X 3/16 CLAMP
41	4220470	OPT	OPT	OPT	SELECTOR PANEL DECAL (W/O BEZEL)
42	4219774	OPT	OPT	OPT	DOOR BEZEL - BOTTOM
43	4219773	OPT	OPT	OPT	DOOR BEZEL - MIDDLE
44	4219772	OPT	OPT	OPT	DOOR BEZEL - TOP
45	4219818.XXX	OPT	OPT	OPT	BEZEL DECAL (SPECIFY COLOR)
46	4219726.001	1	1	1	MOMENTARY SWITCH - AMBER
47	4219778	OPT	-	-	DELIVERY BEZEL 3W (STYLING BEZEL PKG)
	4219777	-	OPT	-	DELIVERY BEZEL 4W (STYLING BEZEL PKG)
	4219776	-	-	OPT	DELIVERY BEZEL 5W (STYLING BEZEL PKG)
	4214609.003	OPT	-	-	DELIVERY BEZEL 3W (BLACK)
	4214609.004	-	OPT	-	DELIVERY BEZEL 4W (BLACK)
	4214609.005	-	-	OPT	DELIVERY BEZEL 5W (BLACK)
48	8801011	A/R	A/R	A/R	#8 WASHER
49	4220174	A/R	A/R	A/R	#8 X 5/16" PHIL PH PTRS SCREW
50	4050338	2	2	2	#10 - 32 X 1/2" PHIL FH MS
51	4203486.005	1	1	1	1/4 TURN HANDLE
52	4050495	2	2	2	#10 -32 NUT, TWO WAY LOCK
53	4219645	A/R	A/R	A/R	STUD EXTENDER (#8- 32)
54	4220189	A/R	A/R	A/R	#4 X 1/4" PHIL PH PTRS SCREW
55	4050585	1	1	1	#8 EXT LOCK WASHER
56	<a href="#">(SEE PAGES # 8)</a>	1	1	1	BOTTOM WINDOW RETAINER

**LIST OF PARTS NOT SHOWN**

4222904	1	1	1	LED POWER HARNESS
4215719	A/R	A/R	A/R	GVC2 DISPLAY CABLE
4216099	1	1	1	KEYPAD CABLE
4215471	1	1	1	MDB CABLE
4214278	OPT	OPT	OPT	DEX HARNESS
4210818.607	A/R	A/R	A/R	ELECTRONIC PRICING DECAL

XXX: SPECIFY PAINT COLOR, DECAL TEXT/ARTWORK, OR SIZE REQUIRED WHEN ORDERING - A/R: AS REQUIRED - OPT: OPTION

# CABINET ASSEMBLY



A12132

XXX: SPECIFY PAINT COLOR, DECAL TEXT/ARTWORK, OR SIZE REQUIRED WHEN ORDERING - A/R: AS REQUIRED - OPT: OPTION

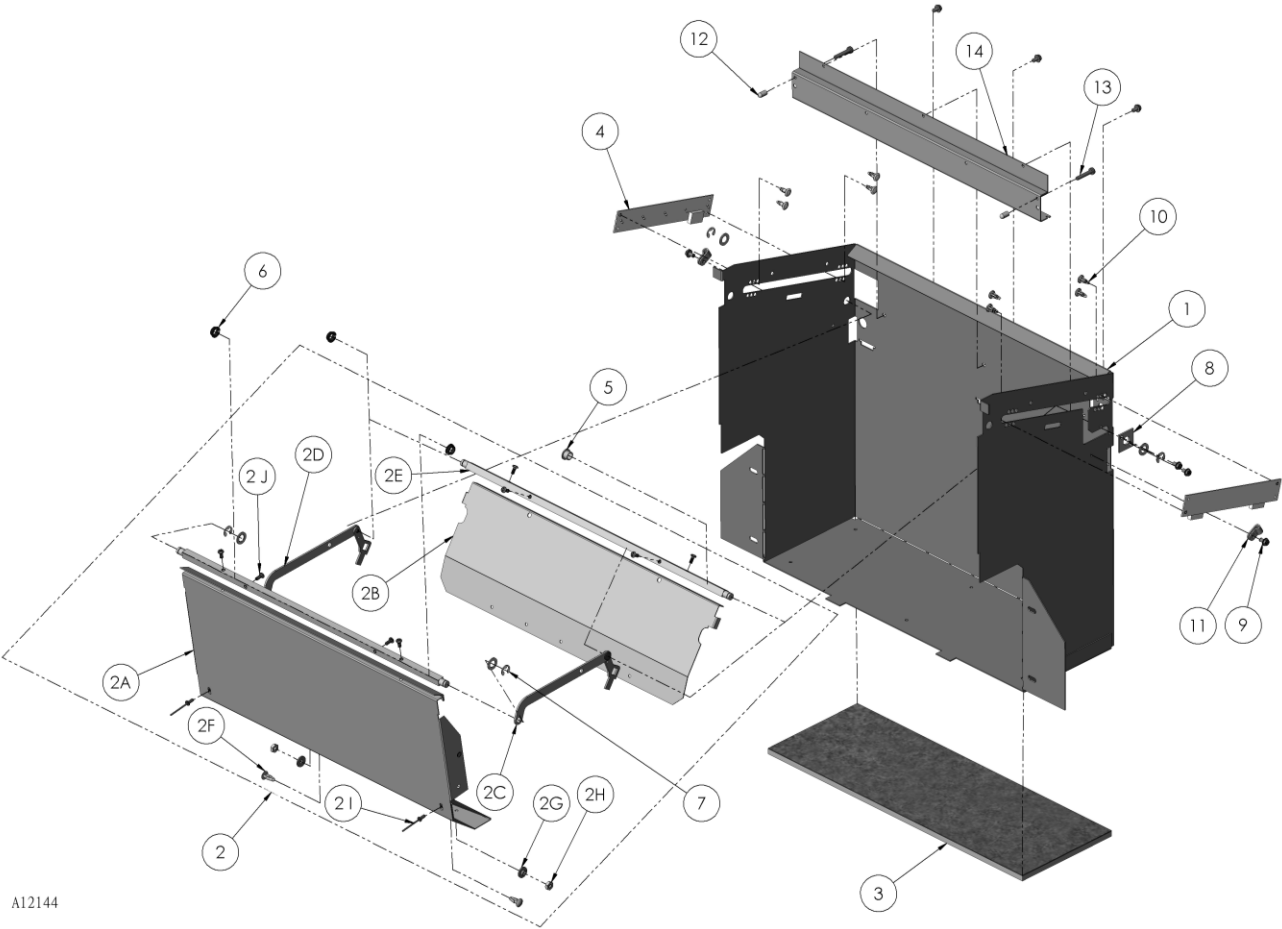


**CABINET ASSEMBLY PARTS LIST**

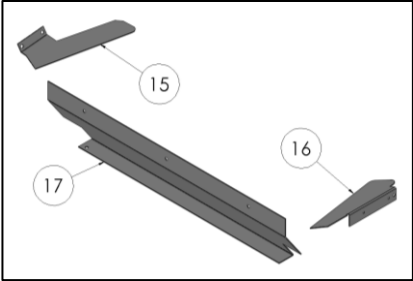
ITEM NO.	PART NUMBER	3000	4000	5000	DESCRIPTION
	1219238.XXX	1	-	-	CABINET WELD - 3W
1	1219342.XXX	-	1	-	CABINET WELD - 4W
	1219140.XXX	-	-	1	CABINET WELD - 5W
	<a href="#">(SEE PAGES #10-14)</a>	A/R	-	-	TRAY ASSY - 3W
2	<a href="#">(SEE PAGES #10-14)</a>	-	A/R	-	TRAY ASSY - 4W
	<a href="#">(SEE PAGES #10-14)</a>	-	-	AR	TRAY ASSY - 5W
3	<a href="#">(SEE PAGE # 15)</a>	1	1	1	POWER BOX ASSY
4	1219107	2	2	2	SIDE RAIL AND BRACKET ASSY
4A	1215925	2	2	2	RAIL ASSY LONG RIGHT
4B	4216146	2	2	2	TRAY RAIL BRACKET
4C	4050239	2	2	2	8-32X3/8 PHL PH TY-T
5	<a href="#">(SEE PAGE # 19)</a>	1	1	1	CONNECTION BOX ASSY
6	4222472.000330	1	1	1	RIGHT CABINET PARTITION
7	4222455.000330	1	1	1	LOCK NUT MOUNT
8	4203634	1	1	1	SPLIT NUT ASSEMBLY
9	4218204	OPT	OPT	OPT	SWITCH ACTIVATOR (DOOR SWITCH OPTION)
10	4216232.000330	1	1	1	CABINET DELIVERY DEFLECTOR
11	4222476		1	1	HARNESS COVER
12	4221985	A/R	A/R	A/R	D GASKET
13	4216313	3	3	3	CLAMP
14	4025610	1	1	1	DOOR GLIDE
15	4216370	1	1	1	ROUND WIRE CLAMP
16	4213784	1	1	1	PUSH BUTTON WIRE TIE
17	4050239.001	A/R	A/R	A/R	8-32X3/8 PHL PH TYPE-T/BLACK
18	8800638	A/R	A/R	A/R	10-16X3/8 PHL PH TYPE-B
19	4050585	3	3	3	#8 EXT TOOTH LOCK WASHER
20	4050202.001	4	4	4	8-18X1/2 PHIL HWH TEK/BLK
21	8800636	1	1	1	8-18 x 1/2 PH PHIL TY-B
22	4213448.000330	1	1	1	CONNECTION BOX COVER FAWN
23	4222182	1	1	1	WARNING LABEL
24	4220626.000330	1	1	1	COIN MECH PUSHER
<b>LIST OF PARTS NOT SHOWN</b>					
	4219877	1	1	1	MAIN HARNESS

XXX: SPECIFY PAINT COLOR, DECAL TEXT/ARTWORK, OR SIZE REQUIRED WHEN ORDERING - A/R: AS REQUIRED – OPT: OPTION

# DELIVERY BOX ASSEMBLY



A12144



PARTS IN DOOR ASSEMBLY REQUIRED FOR THIS DELIVERY BOX ASSEMBLY

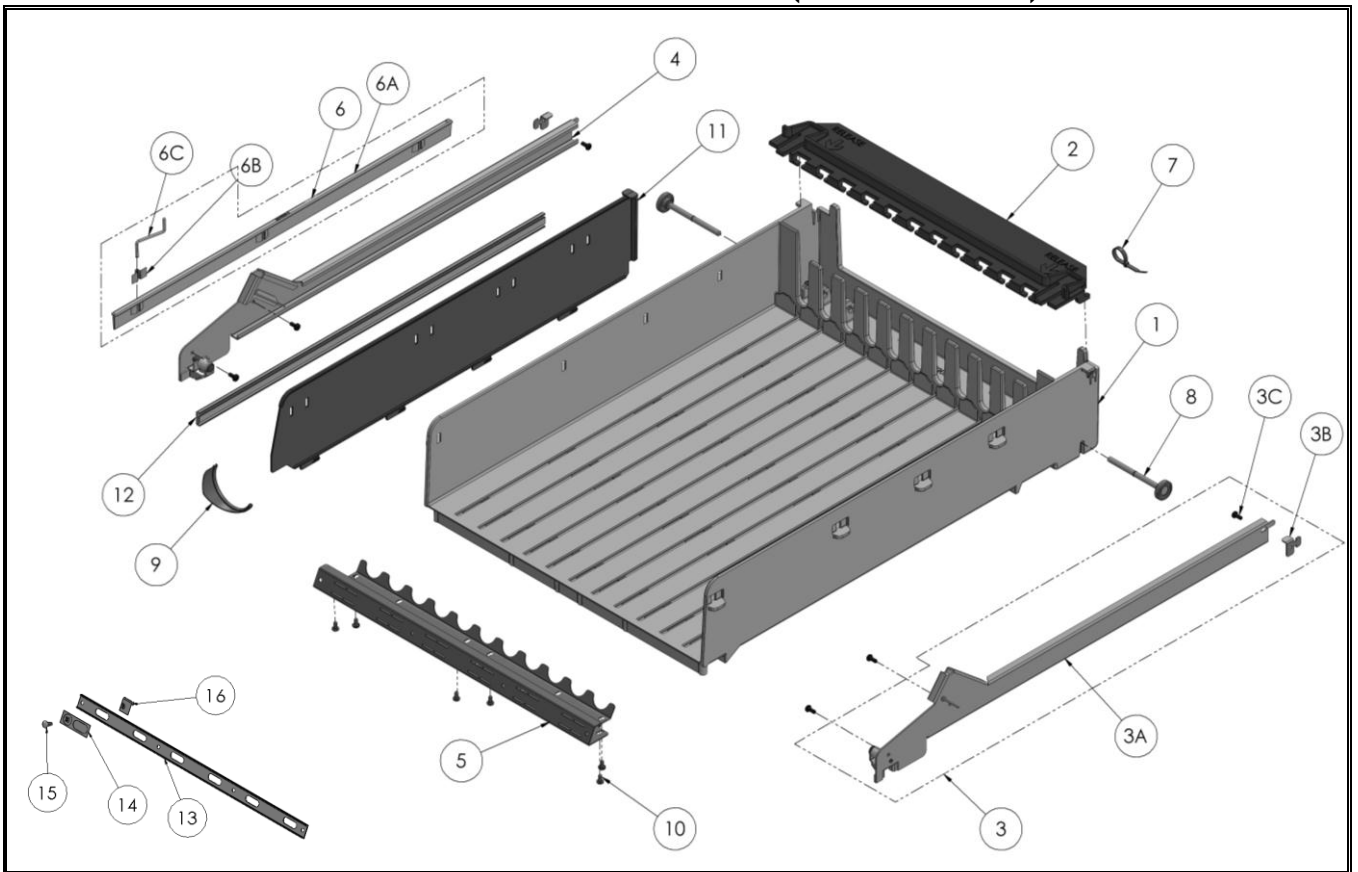
XXX: SPECIFY PAINT COLOR, DECAL TEXT/ARTWORK, OR SIZE REQUIRED WHEN ORDERING - A/R: AS REQUIRED – OPT: OPTION

**DELIVERY BOX ASSEMBLY PARTS LIST**

ITEM NO.	PART NUMBER	3000	4000	5000	DESCRIPTION
1	4223000.001330	1	-	-	DELIVERY BOX WRAPPER WELDED/3W
	4223321.001330	-	1	-	DELIVERY BOX WRAPPER WELDED/4W
	4222452.001330	-	-	1	DELIVERY BOX WRAPPER WELDED/5W
2	1219261	1	-	-	DELIVERY DOOR ASSEMBLY 3W
	1219349	-	1	-	DELIVERY DOOR ASSEMBLY 4W
	1219105.005	-	-	1	DELIVERY DOOR ASSEMBLY 5W
2A	4223001.001330	1	-	-	DELIVERY DOOR W/STUDS 3W
	4223322.001330	-	1	-	DELIVERY DOOR W/STUDS 4W
	4222453.001330	-	-	1	DELIVERY DOOR W/STUDS 5W
2B	4216760.000330	1	-	-	BACK DELIVERY ANTI-CHEAT 3W
	4216759.000330	-	1	-	BACK DELIVERY ANTI-CHEAT 4W
	4216111.000330	-	-	1	BACK DELIVERY ANTI-CHEAT 5W
2C	1217978.001	1	1	1	DELIVERY LINKAGE STAKE ASSEMBLY
2D	1217978.002	1	1	1	DELIVERY LINKAGE STAKE ASSEMBLY
2E	4214104	2	2	2	DELIVERY SHAFT/3W
	4216780	2	2	2	DELIVERY SHAFT/3W
	4214105	2	2	2	DELIVERY SHAFT/3W
2F	4205329	2	2	2	ARROW CLIP
2G	4030100.001	2	2	2	BUSHING-SPACER.10
2H	4050511	2	2	2	8-32 NUT-TWO WAY LOCK
2I	4050663	2	2	2	1/8 X 1/4 RIVET
2J	8800763	8	10	10	8-32X5/16 PHIL PH TYP
3	4214960.008	OPT	-	-	DELIVERY BOX PAD/ 3W
	4214960.007	-	OPT	-	DELIVERY BOX PAD/ 4W
	4214960.006	-	-	OPT	DELIVERY BOX PAD/ 5W
4	4212464.011	1	1	1	DELIVERY SENSOR/COMPLETE/GVC 2
5	4218507	1	1	1	SHOULDER WASHER
6	4025263.001	3	3	3	TYPE # 5 NYLINER 5/16 ID
7	8801080	2	2	2	E-RING, 5/16
8	4220024	1	1	1	DELIVERY ROD RETAINING PLATE
9	4050420.001	A/R	A/R	A/R	8-18X1/4 PHIL HWH TYPE-/BLACK
10	4220025	8	8	8	RICHCO RLCBSPR-4-01 STAND
11	8324099.2	2	2	2	CLAMP - 1/4 IN
12	4050548.001	2	2	2	SCREW COVER-BLACK
13	4223244	2	2	2	#8-7/8 PHIL PH TYPE B
14	4223002.000330	1	-	-	SENSOR HARNESS CHANNEL 3W
	4223325.000330	-	1	-	SENSOR HARNESS CHANNEL 4W
	4222454.000330	-	-	1	SENSOR HARNESS CHANNEL 5W
15	4222662.000330	1	1	1	LEFT DELIVERY DEFLECTOR
16	4222663.000330	1	1	1	RIGHT DELIVERY DEFLECTOR
17	4223099.000330	1	-	-	BOTTOM WINDOW DEFLECTOR 3W
	4219116.000330	-	1	-	BOTTOM WINDOW DEFLECTOR 4W
	4223098.000330	-	-	1	BOTTOM WINDOW DEFLECTOR 5W

XXX: SPECIFY PAINT COLOR, DECAL TEXT/ARTWORK, OR SIZE REQUIRED WHEN ORDERING - A/R: AS REQUIRED – OPT: OPTION

## TRAY ASSEMBLY - 3000 (NEW STYLE)



### TRAY ASSEMBLY - 3000 (NEW STYLE) PART LIST

ITEM NO.	PART NUMBER	3000	DESCRIPTION
1	4220912	1	PLASTIC TRAY - 3W
2	4210731.003	1	MOTOR COVER 3W
3	1219107	A/R	SIDE RAIL AND BRACKET ASSY
3A	1215925	A/R	RAIL ASSY LONG RIGHT
3B	4216146	A/R	TRAY RAIL BRACKET
3C	4050239	A/R	8-32X3/8 PHL PH TY-T
4	1215925.001	A/R	RAIL ASSY LONG LEFT
5	4221368.000309	1	TRAY FRONT (3W) (WITH SCROLLS)
	4221368.001309	1	TRAY FRONT (3W) (W/O SCROLLS)
6	1215390	A/R	SPACER KIT
6A	8370660.5	A/R	SPACER
6B	4200281	A/R	SPRING CLIP
6C	8370998	A/R	SUPPORT-SPACER
7	4033712	1	CABLE TIE 7 3/8"
8	4221188	2	ROLLER (NEW)
9	4025748	A/R	PRODUCT EJEC-CCW-BLK
10	4222252	6	#8X3/8 PPHD PLAST THRD RL
11	4210732.001	AR	DIVIDER

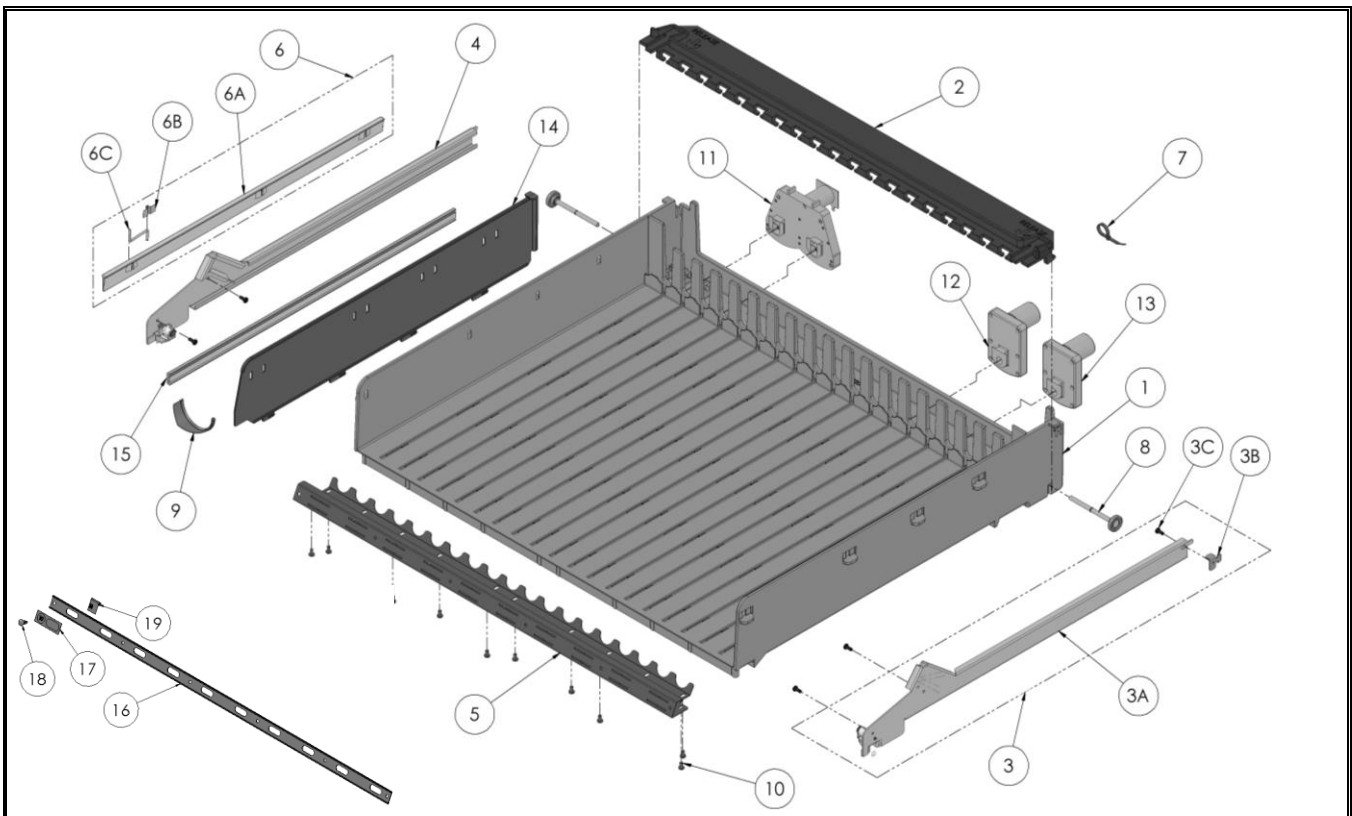
XXX: SPECIFY PAINT COLOR, DECAL TEXT/ARTWORK, OR SIZE REQUIRED WHEN ORDERING - A/R: AS REQUIRED - OPT: OPTION

ITEM NO.	PART NUMBER	3000	DESCRIPTION
12	4223108	AR	G&M SPACER STRIP
13	4221359.003	1	LABEL HOLDER (WITH SCROLLS)
	4221359.013	1	LABEL HOLDER (W/O SCROLLS)
14	4218816	1	SELECTION SCROLL COVER
15	4205329	A/R	ARROW CLIP
16	4222058	A/R	PRICE SCROLL

**LIST OF PARTS NOT SHOWN**

4203508.003	1	REPL-HA-TRAY HARNESS (3W)
-------------	---	---------------------------

**TRAY ASSEMBLY - 5000**



**TRAY ASSEMBLY 5000 PART LIST**

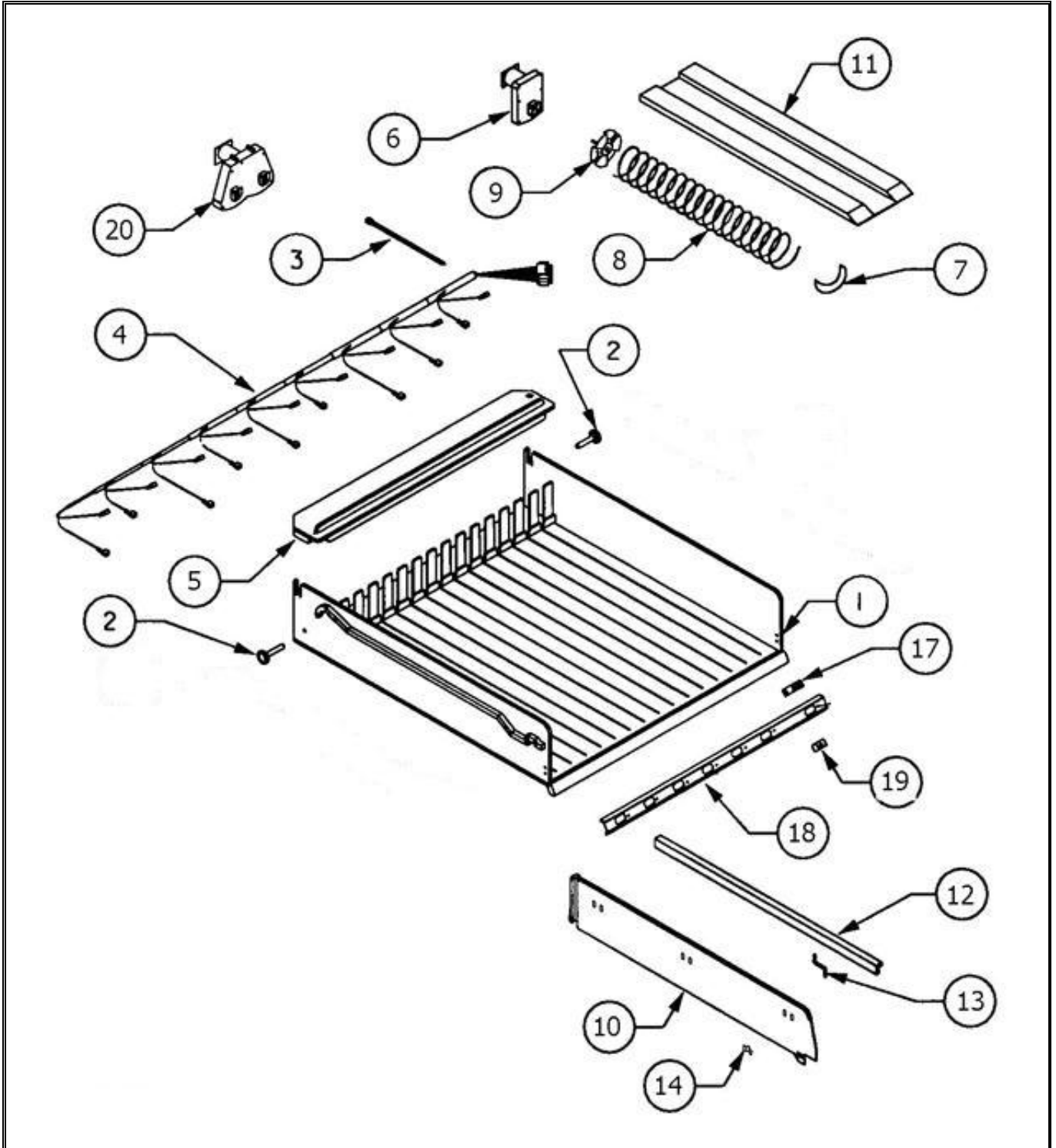
ITEM NO.	PART NUMBER	5000	DESCRIPTION
1	4220910	1	PLASTIC TRAY - 5W
2	4210731.005	1	MOTOR COVER 5W
3	1219107	A/R	SIDE RAIL AND BRACKET ASSY
3A	1215925	A/R	RAIL ASSY LONG RIGHT
3B	4216146	A/R	TRAY RAIL BRACKET
3C	4050239	A/R	8-32X3/8 PHL PH TY-T
4	1215925.001	A/R	RAIL ASSY LONG LEFT
5	4221358.000309	1	TRAY FRONT (5W) (WITH SCROLL OPENINGS)
	4221358.001309	1	TRAY FRONT (5W) (W/O SCROLL OPENINGS)
6	1215390	A/R	SPACER KIT

XXX: SPECIFY PAINT COLOR, DECAL TEXT/ARTWORK, OR SIZE REQUIRED WHEN ORDERING - A/R: AS REQUIRED - OPT: OPTION

ITEM NO.	PART NUMBER	5000	DESCRIPTION
6A	8370660.5	AR	SPACER
6B	4200281	AR	SPRING CLIP
6C	8370998	AR	SUPPORT-SPACER
7	4033712	1	CABLE TIE 7 3/8"
8	4221188	2	ROLLER
9	4025748	A/R	PRODUCT EJEC-CCW-BLK
10	4222252	10	#8X3/8 PPHD PLAST THRD RL
11	4205436	AR	DUAL HELIX MOTOR (C)
12	4034388	AR	24VDC MOTOR-360 DEGRE
13	4034388.001	AR	24VDC MOTOR – 180 DEGREE
14	4210732.001	AR	DIVIDER
15	4223108	AR	G&M SPACER STRIP
16	4221359.005	A/R	LABEL HOLDER (W/SCROLL OPENINGS)
	4221359.015	A/R	LABEL HOLDER (WITHOUT SCROLL OPENINGS)
17	4218816	1	SELECTION SCROLL COVER
18	4205329	A/R	ARROW CLIP
19	4222058	A/R	PRICE SCROLL
<b>LIST OF PARTS NOT SHOWN</b>			
	4203508.005	1	REPL-HA-TRAY HARNESS (5W)

XXX: SPECIFY PAINT COLOR, DECAL TEXT/ARTWORK, OR SIZE REQUIRED WHEN ORDERING - A/R: AS REQUIRED – OPT: OPTION

# TRAY ASSEMBLY 3000 & 4000 (OLD STYLE)



XXX: SPECIFY PAINT COLOR, DECAL TEXT/ARTWORK, OR SIZE REQUIRED WHEN ORDERING - A/R: AS REQUIRED - OPT: OPTION

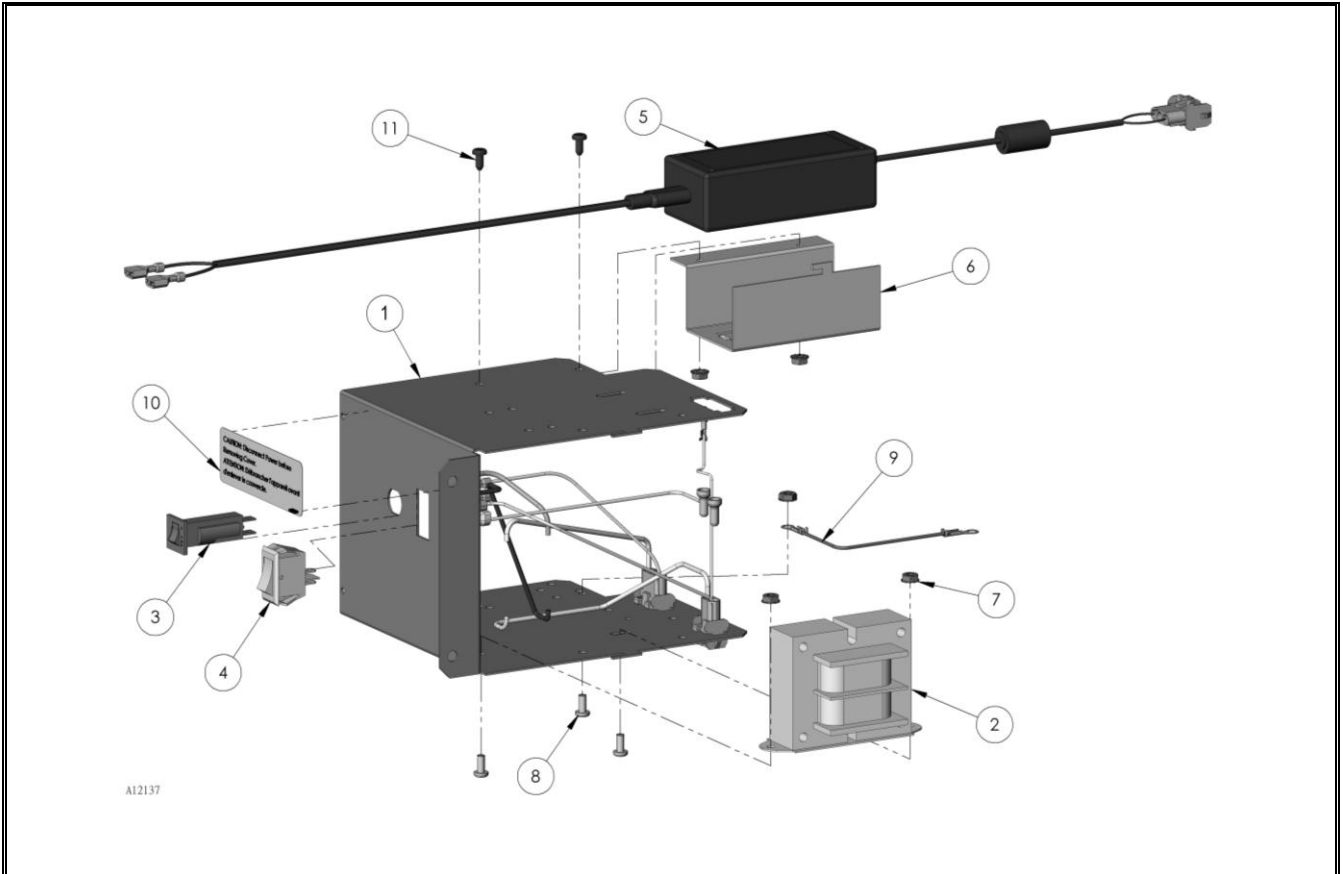
**TRAY ASSEMBLY 3000 & 4000 (OLD STYLE) PARTS LIST**

ITEM NO.	PART NUMBER	3000	4000	DESCRIPTION.
1	4203276	-	A/R	PRODUCT TRAY-4W
	4203275	A/R	-	PRODUCT TRAY-3W
2	4060670.004	2	2	ROLLER
3	4033712	1	1	CABLE TIE
4	4203508.004	-	A/R	REPL-HA-TRAY HARNESS(4W)
	4203508.003	A/R	-	REPL-HA-TRAY HARNESS(3W)
5	4203277.004	-	1	MOTOR COVER(4W)
	4203277.003	1	-	MOTOR COVER(3W)
6	4034388	A/R	A/R	24 VDC MOTOR – 360°
7	4025748	A/R	A/R	PRODUCT EJECTOR
8	<a href="#">(SEE PAGE #27)</a>	A/R	A/R	SPIRALS
9	4209502	A/R	A/R	AUGER COUPLING
10	4025797	A/R	A/R	PRODUCT DIVIDER
11	4200340	A/R	A/R	HELIX RETAINER
12	8370660.5	A/R	A/R	SPACER
13	8370998	A/R	A/R	SPACER SUPPORT
14	4200281	A/R	A/R	SPRING CLIP
17	4218816	1	1	SELECTION SCROLL COVER
18	4203229.003	A/R	-	LABEL HOLDER – 3W (WITH SCROLLS)
	4203229.004	-	A/R	LABEL HOLDER – 4W (WITH SCROLLS)
	4203229.006	A/R	-	LABEL HOLDER – 3W (W/O SCROLLS)
	4203229.007	-	A/R	LABEL HOLDER – 4W (W/O SCROLLS)
19	<a href="#">(SEE PAGE #28)</a>	A/R	A/R	PRICE SCROLL
20	4205436	A/R	A/R	DUAL HELIX MOTOR
21	4220500	A/R	A/R	PRESS SELECTION FOR PRICE DECAL (NOT SHOWN)

XXX: SPECIFY PAINT COLOR, DECAL TEXT/ARTWORK, OR SIZE REQUIRED WHEN ORDERING - A/R: AS REQUIRED – OPT: OPTION



## POWER BOX ASSEMBLY



### POWER BOX ASSEMBLY PART LIST

ITEM NO.	PART NUMBER	QTY	DESCRIPTION
1	4216153	1	POWER BOX
2	4216297.004	A/R	TRANSFORMER 110V
	4216297.005	A/R	TRANSFORMER 230V
3	4203467.003	1	3 AMP CIRCUIT BREAKER
4	4202088	1	SWITCH-ROCKER
5	4219620	1	LED POWER SUPPLY-TERMINAT
6	4220943	1	MOUNT-LED POWER SUPPLY
7	8800956	3	8-32 HEX NUT W/ETW
8	4050240	3	8-32X3/8 PHIL PH MS
9	1211465.003	1	13" GROUND WIRE GR/YL
10	4222182	1	POWER SWITCH WARNING
11	4050423	2	8-18X3/8 PHIL PH TY-A
12	4220944	1	LED POWER SUPPLY JUMPER (NOT SHOWN)

XXX: SPECIFY PAINT COLOR, DECAL TEXT/ARTWORK, OR SIZE REQUIRED WHEN ORDERING - A/R: AS REQUIRED – OPT: OPTION

## SIDE LED ASSEMBLY



### SIDE LED ASSEMBLY (RIGHT) PARTS LIST

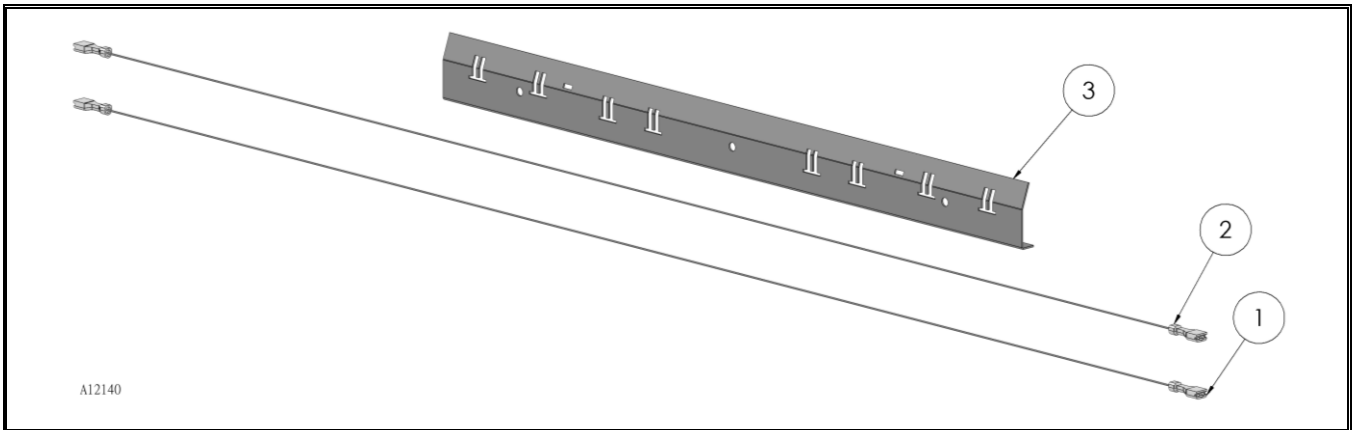
ITEM NO.	PART NUMBER	QTY	DESCRIPTION
1	4220903.000309	1	LED MOUNT (SIDE)
2	4220902	1	LED SIDE STRIP ASSEMBLY

#### LIST OF PARTS NOT SHOWN

	4220904	1	LED POWER SUPPLY JUMPER
--	---------	---	-------------------------

XXX: SPECIFY PAINT COLOR, DECAL TEXT/ARTWORK, OR SIZE REQUIRED WHEN ORDERING - A/R: AS REQUIRED – OPT: OPTION

## TOP LED ASSEMBLY



A12140

### TOP LED ASSEMBLY – 3000 PARTS LIST

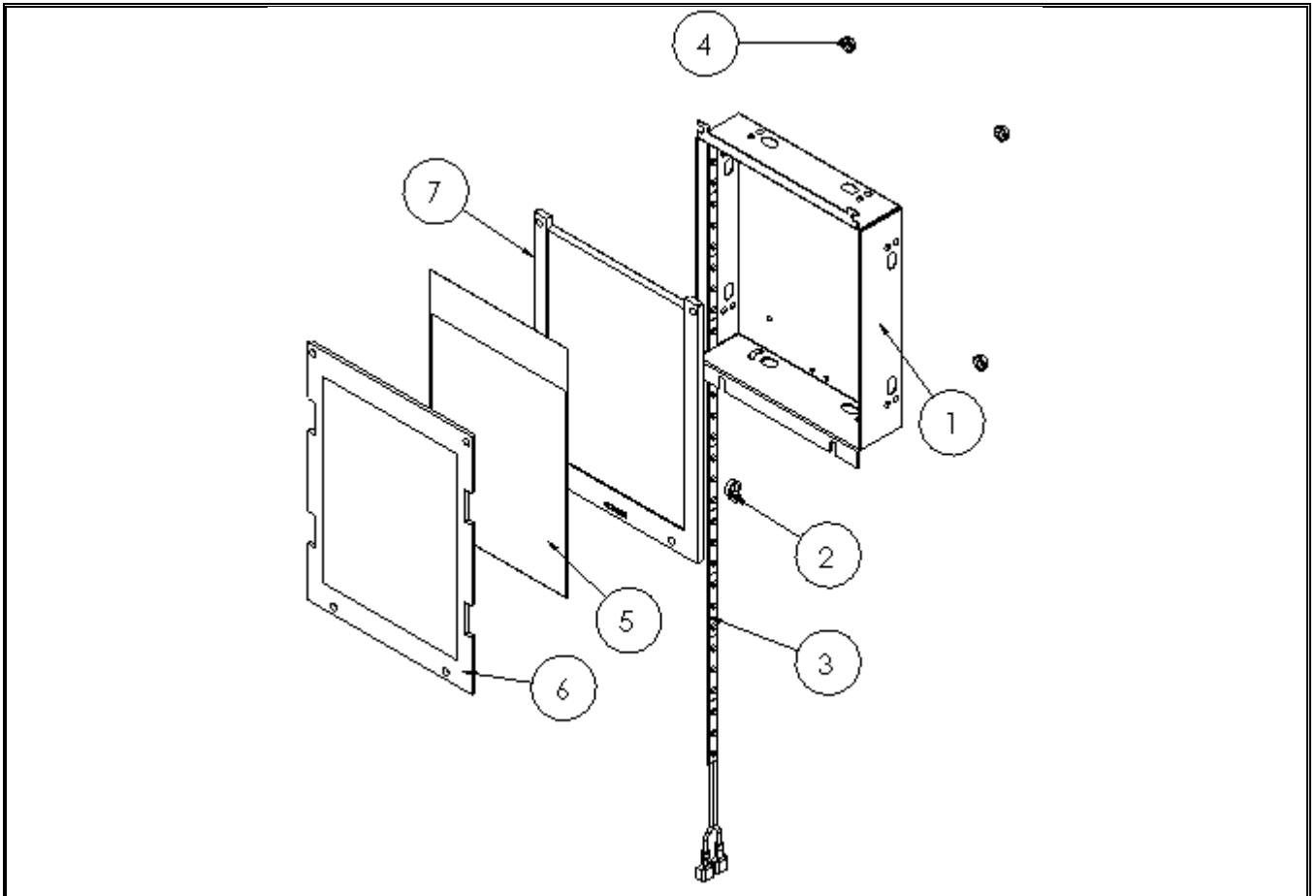
ITEM NO.	PART NUMBER	3000	4000	5000	DESCRIPTION
1	4220991.003	1	-	-	
	4220991.005	-	1	-	WIRE ASSEMBLY(REDF)
	4220991.001	-	-	1	
2	4220991.004	1	-	-	
	4220991.006	-	1	-	WIRE ASSEMBLY(BLK)
	4220991.002	-	-	1	
3	4222006.000330	1	-	-	TOP WINDOW RETAINER/3W
	4222007.000330	-	1	-	TOP WINDOW RETAINER/4W
	4220930.000309	-	-	1	TOP WINDOW RETAINER/5W

### LIST OF PARTS NOT SHOWN

4220904	1	1	1	LED POWER HARNESS
4220902.001	-	-	OPT	LED TOP STRIP ASSY

XXX: SPECIFY PAINT COLOR, DECAL TEXT/ARTWORK, OR SIZE REQUIRED WHEN ORDERING - A/R: AS REQUIRED – OPT: OPTION

## POINT-OF-PURCHASE ASSEMBLY

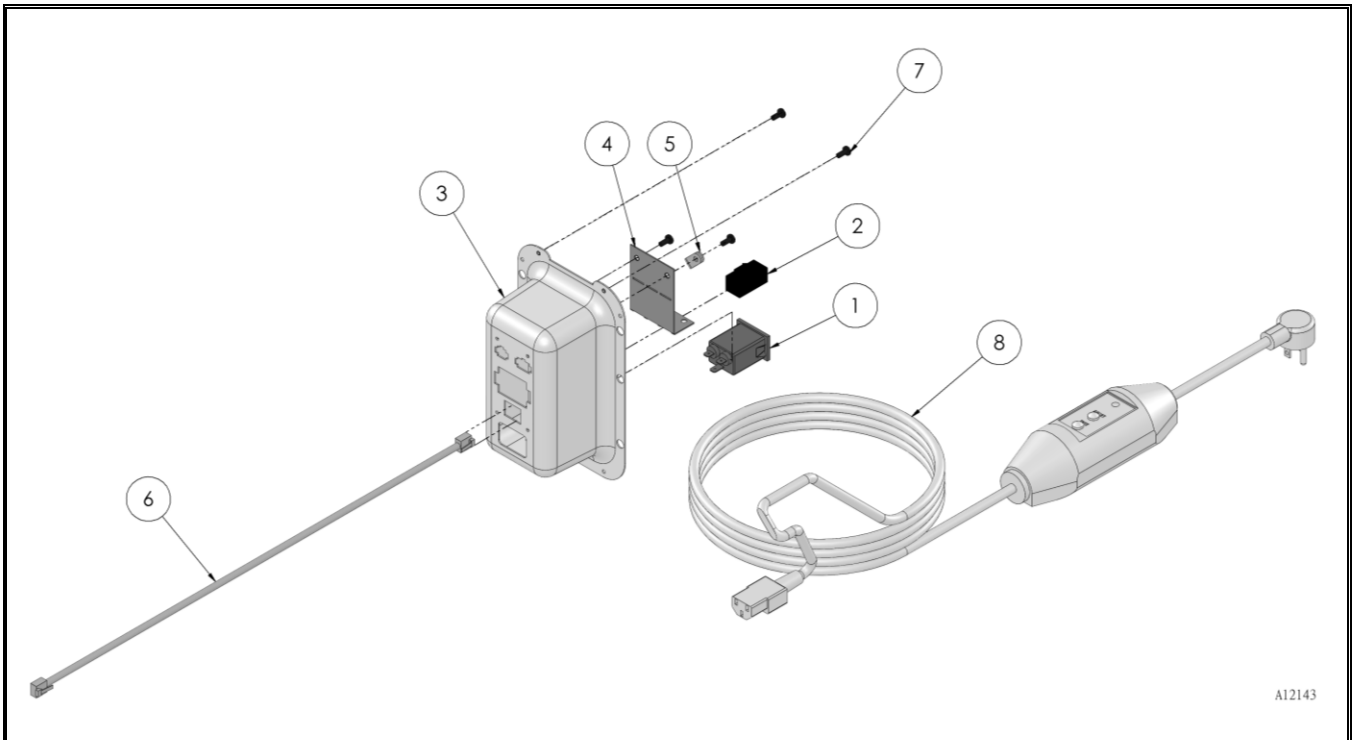


### POINT-OF-PURCHASE LED ASSEMBLY 12VDC PARTS LIST

ITEM NO.	PART NUMBER	QTY	DESCRIPTION
1	4219727.000306	1	LED MOUNTING COVER
2	4033704	1	CABLE TIE
3	4220902.002	1	LED STRIP ASSY
4	8800956	4	#8-32 HEX NUT W/EXT
5	4219832.XXX	1	POP SIGNAGE (SPECIFY ARTWORK)
6	4219728	1	DISPLAY FRONT
7	4219815	1	PRINT HOLDER
8	4222397	1	POP LED POWER HARNESS (NOT SHOWN)

XXX: SPECIFY PAINT COLOR, DECAL TEXT/ARTWORK, OR SIZE REQUIRED WHEN ORDERING - A/R: AS REQUIRED - OPT: OPTION

## CONNECTION BOX ASSEMBLY



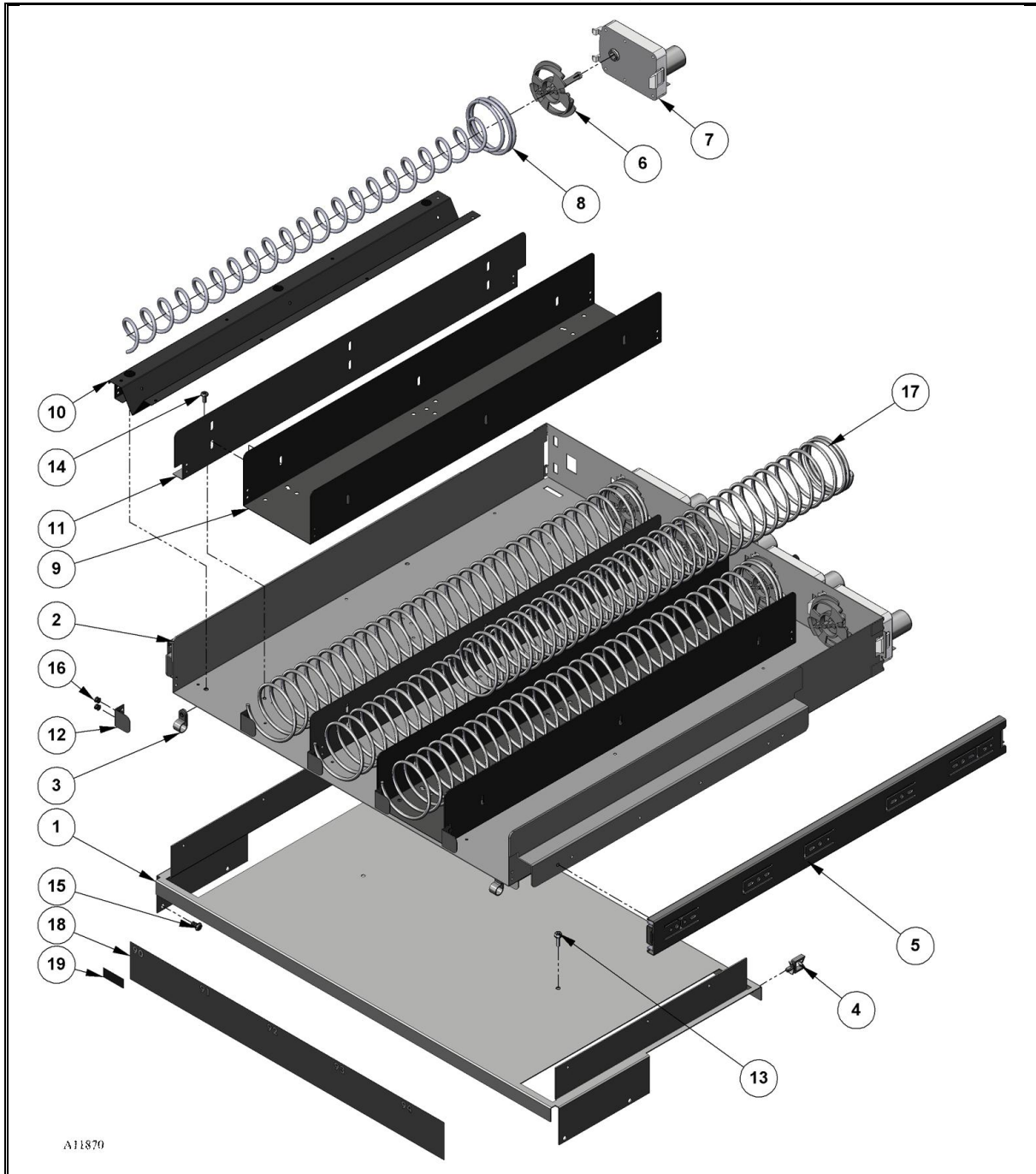
A12143

### CONNECTION BOX ASSEMBLY PART LIST

ITEM NO.	PART NUMBER	QTY	DESCRIPTION
1	4212490.001	1	RFI FILTER IEC SOCKET 10A
2	4215550	OPT	ETHERNET JACK
3	4216393.000330	1	CONNECTION BOX
4	4217384	1	CONNECTION BOX FILLER
5	8324099.4	OPT	CLAMP - 3/8 X 3/8
6	4215548.003	OPT	ETHERNET PATCH CABLE
7	4050239.001	4	8-32X3/8 PHL PH TY-T/BLACK
8	4216016	1	GFCI POWER CORD (VARIES WITH VOLTAGE/COUNTRY)
9	4216298	1	POWER HARNESS (NOT SHOWN)

XXX: SPECIFY PAINT COLOR, DECAL TEXT/ARTWORK, OR SIZE REQUIRED WHEN ORDERING - A/R: AS REQUIRED – OPT: OPTION

## G & M TRAY ASSEMBLY (4W & 5W)



XXX: SPECIFY PAINT COLOR, DECAL TEXT/ARTWORK, OR SIZE REQUIRED WHEN ORDERING - A/R: AS REQUIRED – OPT: OPTION

**G & M TRAY ASSEMBLY (4W & 5W) PARTS LIST**

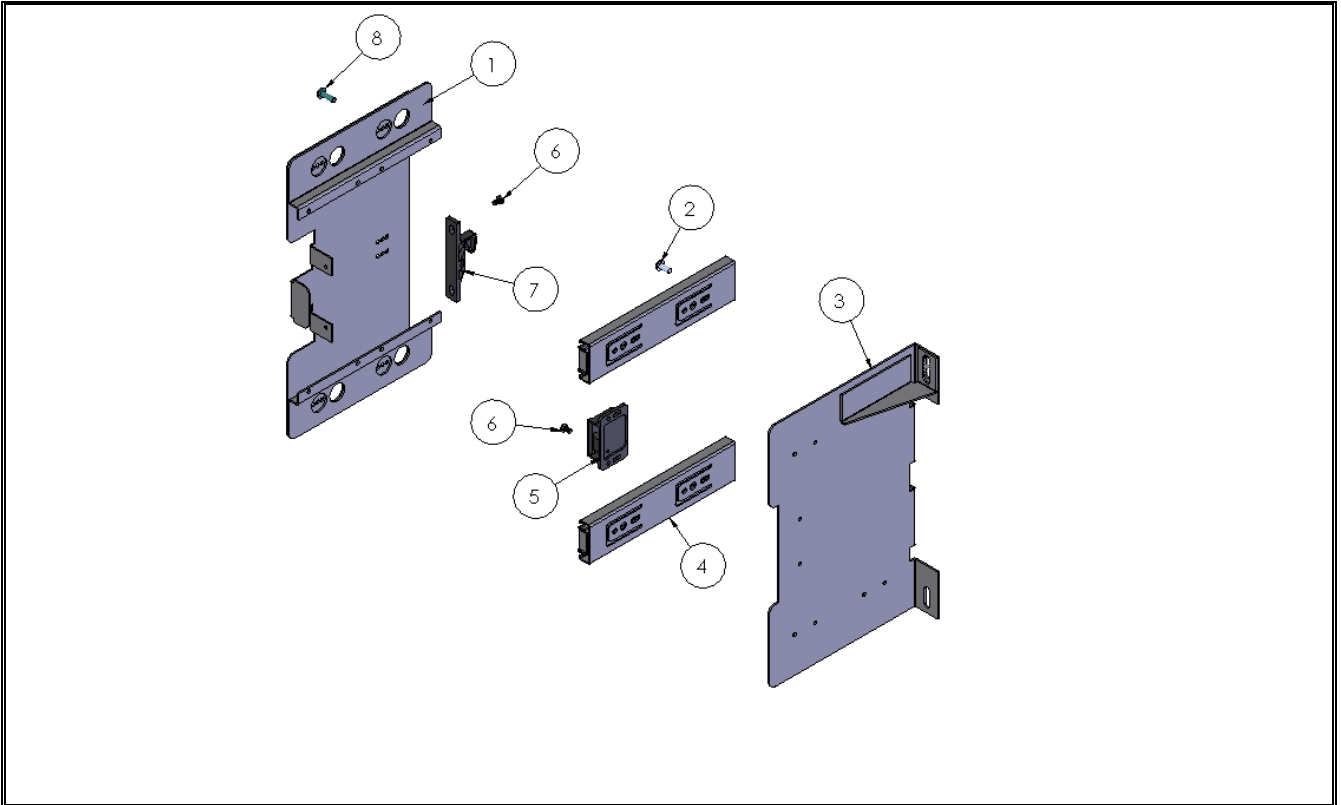
ITEM NO.	PART NUMBER	4000	5000	DESCRIPTION.
1	4220246.000330	1	-	G & M SHELF (4W)
	4218414.000330	-	1	G & M SHELF (5W)
2	1218742.000330	1	-	G & M TRAY WELD – 4W
	1217951.000330	-	1	G & M TRAY WELD – 5W
3	8324099.4	3	3	CLAMP - 3/8 X 3/8
4	4216313	2	2	CLAMP
5	4216499	2	2	DRAWER SLIDE
6	4216378	4	5	SPIRAL ADAPTER
7	4216379.004	4	5	MOTOR SNAP-IN 360 DEG
8	4213397.XXX	A/R	A/R	SPIRALS (SPECIFY SPIRAL COUNT)
9	4218419.000330	2	2	G & M DIVIDER
10	4218422.000330	A/R	A/R	G & M SPACER
11	4218443.000330	4	5	G & M TRAY DIVIDER
12	4218423.000330	4	5	G & M LABEL MOUNT
13	4050202	2	4	8-18X1/2 PHIL HWH TEK
14	4050239	A/R	A/R	8-32X3/8 PHL PH TY-T
15	8800638	4	4	10-16X3/8 PHL PH TYPE
16	4050667.001	8	10	1/8X.125 POP RIVET
17	4200272.XXX	A/R	A/R	SPIRALS (SPECIFY SPIRAL COUNT)
18	4220270	1	-	G & M LABEL – 4W (ATTACHED IN DELIVERY BOX)
	4218418	-	1	G & M LABEL – 5W (ATTACHED IN DELIVERY BOX)
19	4218487	1	1	G & M PRICE LABEL (\$.75 - \$2.50)
	4218487.001	1	1	G & M PRICE LABEL (\$.50 - \$1.00)

**LIST OF THE PARTS NOT SHOWN**

	4218429	1	1	G & M HARNESS
	4218435	1	1	G & M TRAY INSTRUCTIONS

XXX: SPECIFY PAINT COLOR, DECAL TEXT/ARTWORK, OR SIZE REQUIRED WHEN ORDERING - A/R: AS REQUIRED – OPT: OPTION

## COIN MECH MOUNT ASSEMBLY



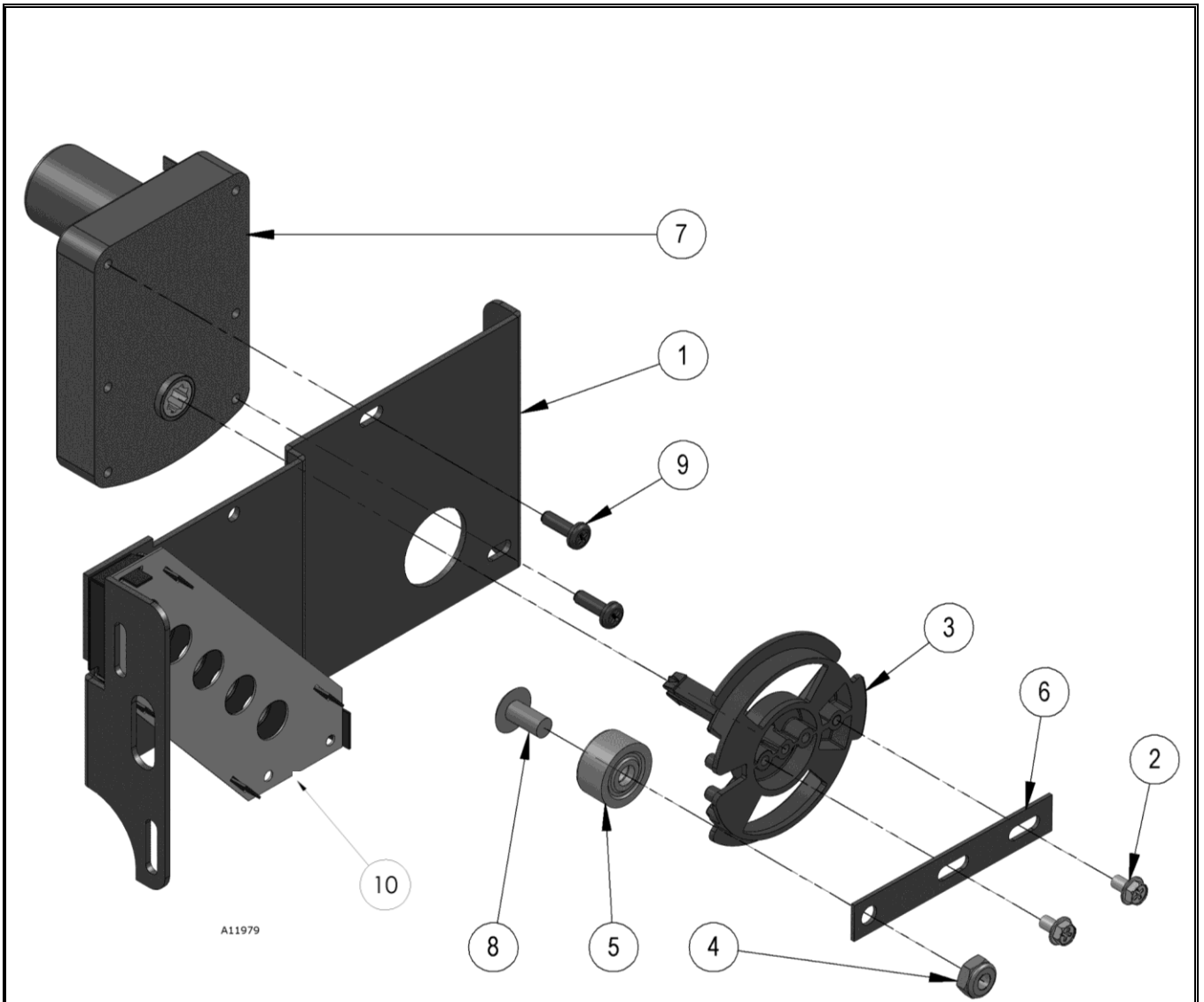
### COIN MECH MOUNT ASSEMBLY PARTS LIST

ITEM NO.	PART NUMBER	QTY	DESCRIPTION
1	1218336.000330	1	COIN MECH MOUNT WELD
2	4050239	10	8-32X3/8 PHL PH TY-T
3	1218548.000330	1	COIN MECH SLIDE MOUNT WELD
4	4219619	2	6" ROLLER SLIDE
5	4219878.001	1	GRABBER CATCH LATCH
6	7320289.000	4	6-32X1/4 PHL PH TAPT
7	4219878.002	1	GRABBER CATCH KEEPER
8	8800636	3	#8-18 X 1/2 PHL PH TYPE_B SCREW

XXX: SPECIFY PAINT COLOR, DECAL TEXT/ARTWORK, OR SIZE REQUIRED WHEN ORDERING - A/R: AS REQUIRED – OPT: OPTION



## COIN RETURN MECHANISM ASSEMBLY



### COIN RETURN MECHANISM ASSEMBLY PARTS LIST

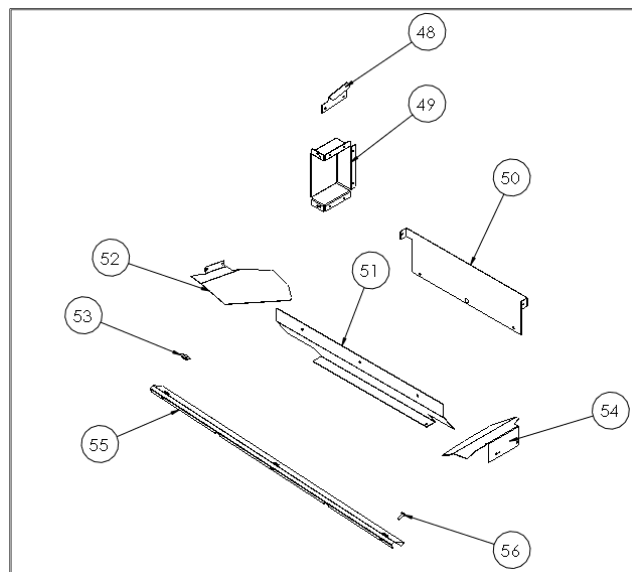
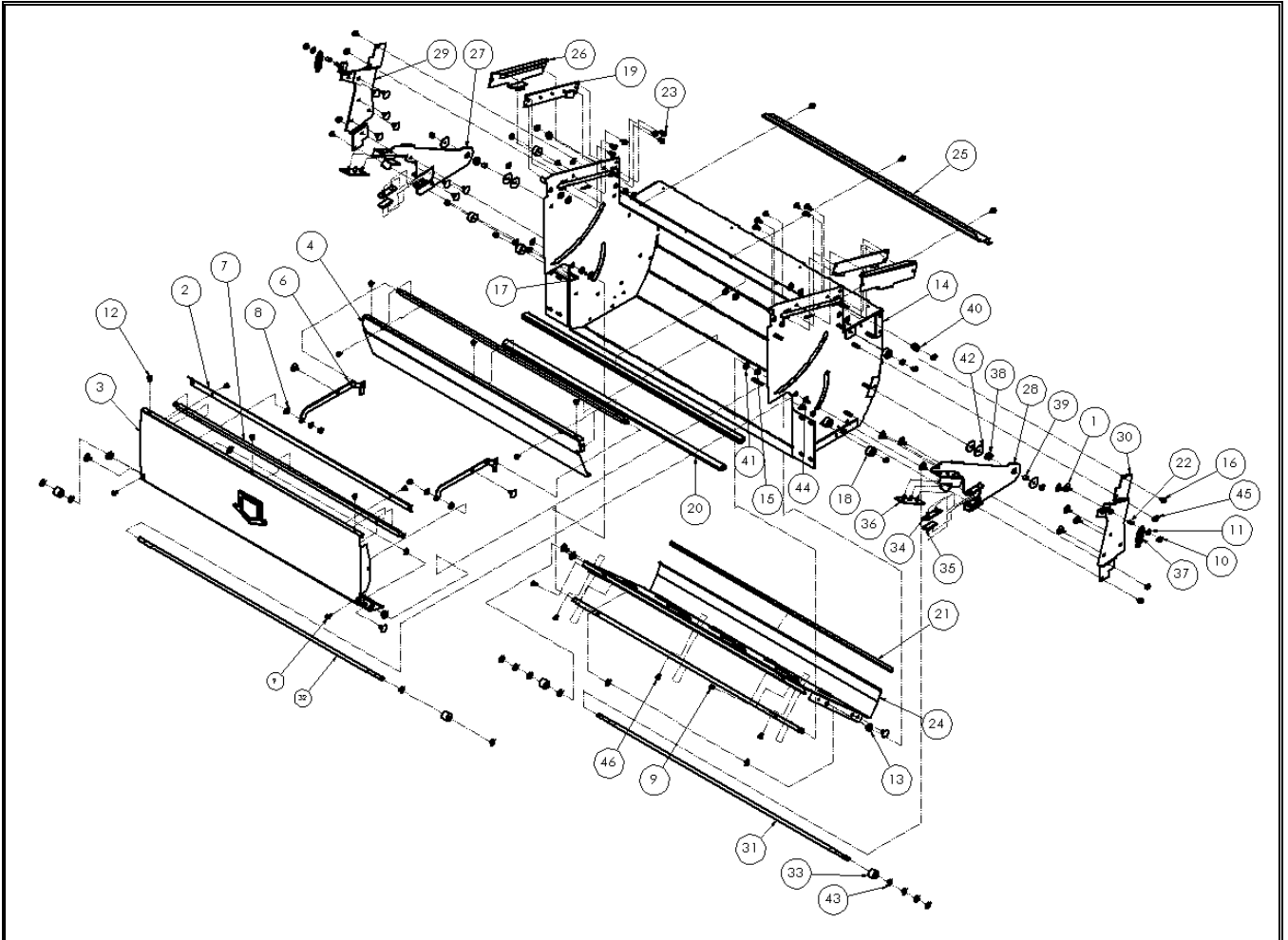
ITEM NO.	PART NUMBER	QTY	DESCRIPTION
1	1218521.000330	1	COIN CHUTE WELD
2	4050420	2	8-18X1/4 PHIL HWH TYP-
3	4216378	1	SPIRAL ADAPTER
4	4216407	1	1/4-20 NYLON INSERT NUT
5	4217738	1	BUSHING
6	4219355	1	COIN RETURN ROLLER MOUNT
7	4219909	1	MOTOR-24VDC/360/DS/SCREW
8	7200469.014	1	1/4-20X1/2 PHIL RH MS
9	8800636	2	8-18X1/2 PHIL PH TYPE-B
10	4219367.000330	1	COIN CHUTE BACK

#### LIST OF THE PARTS NOT SHOWN

4220391	1	COIN RETURN HARNESS
4033704	1	CABLE TIE

XXX: SPECIFY PAINT COLOR, DECAL TEXT/ARTWORK, OR SIZE REQUIRED WHEN ORDERING - A/R: AS REQUIRED – OPT: OPTION

# MECHANICAL LIFT DELIVERY BOX



PARTS IN DOOR & CABINET ASSEMBLIES  
REQUIRED FOR MECHANICAL LIFT DELIVERY  
BOX ASSEMBLY

XXX: SPECIFY PAINT COLOR, DECAL TEXT/ARTWORK, OR SIZE REQUIRED WHEN ORDERING - A/R: AS REQUIRED - OPT: OPTION

**MECHANICAL LIFT DELIVERY BOX ASSEMBLY PARTS LIST**

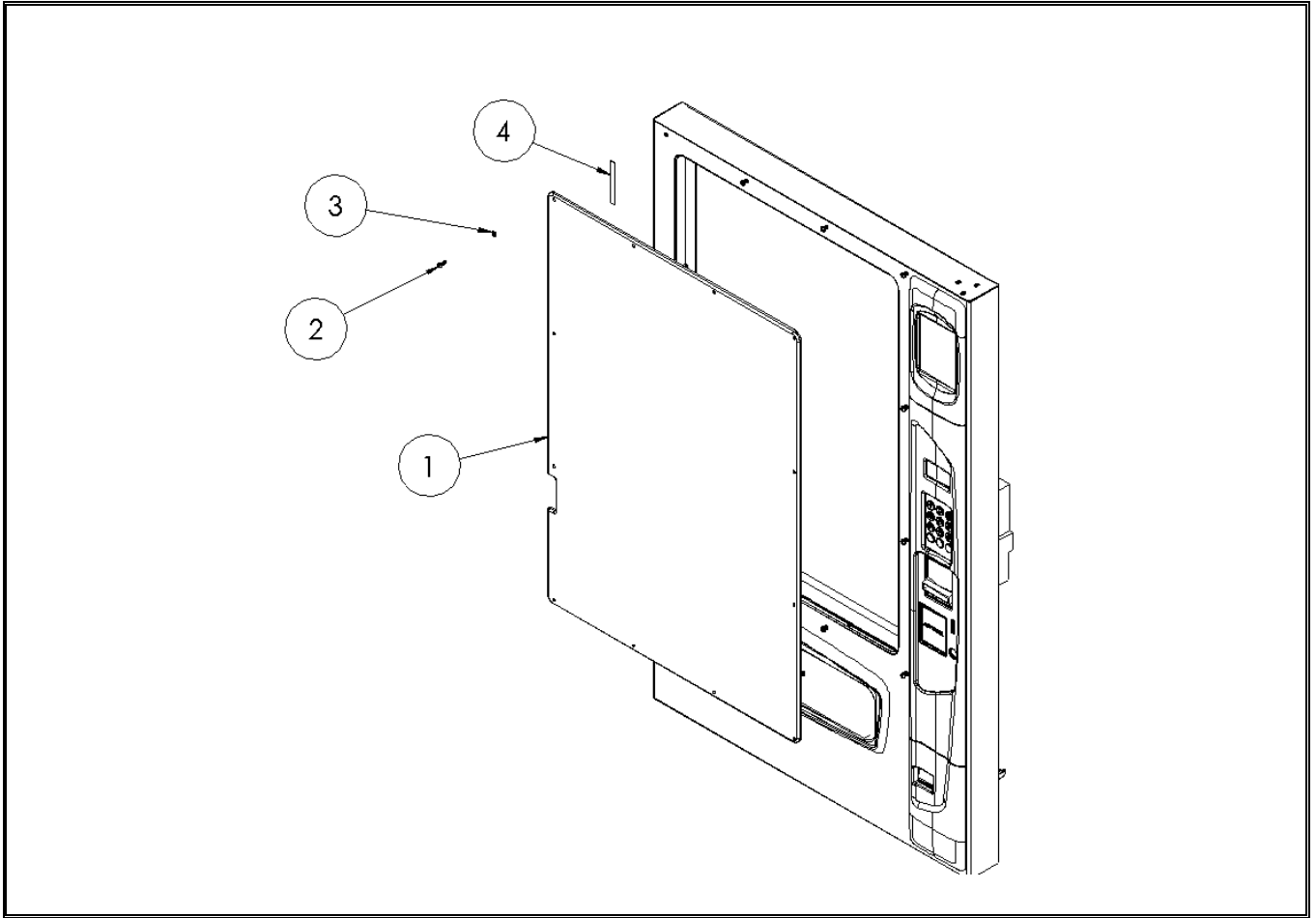
ITEM NO.	PART NUMBER	3000	4000	5000	DESCRIPTION
1	4223153	22	22	22	ARROW CLIP (.625 X .100)
	4220261	1	-	-	DELIVERY FRONT DOOR ANTICHEAT 3W
2	4220218	-	1	-	DELIVERY FRONT DOOR ANTICHEAT 4W
	4219671	-	-	1	DELIVERY FRONT DOOR ANTICHEAT 5W
3	4222044.001330	1	-	-	DELIVERY DOOR STAKE/ 3W
	4222045.001330	-	1	-	DELIVERY DOOR STAKE/ 4W
	4221978.001330	-	-	1	DELIVERY DOOR STAKE/ 5W
	4222046.000330	1	-	-	BACK DELIVERY ANTICHEAT 3W
4	4222047.000330	-	1	-	BACK DELIVERY ANTICHEAT 4W
	4221979.000330	-	-	1	BACK DELIVERY ANTICHEAT 5W
5	1217978.002	1	1	1	DELIVERY LINKAGE STAKE ASSEMBLY
6	1217978.001	1	1	1	DELIVERY LINKAGE STAKE ASSEMBLY
7	4219672.003	3	-	-	DELIVERY SHAFT/ 3W
	4219672.004	-	3	-	DELIVERY SHAFT/ 4W
	4219672.005	-	-	3	DELIVERY SHAFT/ 5W
8	4030100	2	2	2	SPACER BUSHING
9	4050423.001	4	4	4	#8-18 X 3/8" PHIL PH TY-A BLACK SCREW
10	4210384	12	12	12	#8 HEX NYLOCK NUT
11	8801011	4	4	4	#8 FLAT WASHER
12	8800763	10	10	10	#8-32 X 5/16 PHIL PH TYP 23 SCREW
13	4223162	4	4	4	FLANGE BEARING – 1/4" DIA
	1218966.003330	1	-	-	DELIVERY BOX WELD/ 3W
14	1218966.004330	-	1	-	DELIVERY BOX WELD/ 4W
	1218966.005330	-	-	1	DELIVERY BOX WELD/ 5W
15	4025263.001	6	6	6	SNAP-IN NYLON BEARING
16	4050420.001	15	13	13	#8-18 X 3/8" PHIL PH TYP A SCREW
17	4203386.047	2	2	2	#8-32 X 1" CAPTIVE STUD
18	4208230	6	6	6	BUMPER
19	4212464.022	1	1	1	DELIVERY SENSOR
20	4213532	A/R	A/R	A/R	D-GASKET
21	4221985	A/R	A/R	A/R	D-GASKET
22	4216687.375	2	2	2	TUBULAR SPACER
23	4220025	8	8	8	STANDOFF
	4222053.000330	1	-	-	LIFT FLOOR/ 3W
24	4222054.000330	-	1	-	LIFT FLOOR/ 4W
	4221460.000330	-	-	1	LIFT FLOOR/ 5W
	4222056.000330	1	-	-	HARNESS COVER/ 3W
25	4222057.000330	-	1	-	HARNESS COVER/ 4W
	4221644.000330	-	-	1	HARNESS COVER/ 5W
26	4221648.000330	2	2	2	SENSOR COVER
27	4221977	1	1	1	LIFT FLOOR LINK
28	4221977.001	1	1	1	LIFT FLOOR LINK
29	42222031.002	1	1	1	SPRING MOUNT STAKE – LH
30	42222031.003	1	1	1	SPRING MOUNT STAKE – RH
	4223125.003	1	-	-	DELIVERY FLOOR LIFT ROD .250 /3W
31	4223125.004	-	1	-	DELIVERY FLOOR LIFT ROD .250 /4W

XXX: SPECIFY PAINT COLOR, DECAL TEXT/ARTWORK, OR SIZE REQUIRED WHEN ORDERING - A/R: AS REQUIRED – OPT: OPTION

ITEM NO.	PART NUMBER	3000	4000	5000	DESCRIPTION
	4223125.005	-	-	1	DELIVERY FLOOR LIFT ROD .250 /5W
32	4223126.003	1	-	-	DELIVERY DOOR LIFT ROD .250 /3W
	4223126.004	-	1	-	DELIVERY DOOR LIFT ROD .250 /4W
	4223126.005	-	-	1	DELIVERY DOOR LIFT ROD .250 /5W
33	4223127	4	4	4	.255ID X .625OD X .500L ROLLER
34	4223136	2	2	2	ROLLER SLIDE PAD – LONG
35	4223137	2	2	2	ROLLER SLIDE PAD – SHORT
36	4223154	2	2	2	DOOR ROLLER SLIDE PAD
37	4223155	1	1	2	EXTENSION SPRING 1.75”L
38	4223161	2	2	2	FLANGE BEARING – 5/16”
39	4223164	2	2	2	.171ID X .312OD X .250L SPACER
40	8324099.1	2	2	2	3/8” X 3/16” CLAMP
41	8324353	6	6	6	5/16” ID FLAT WASHER
42	8330213.001	6	6	6	WASHER
43	8801077	16	16	16	RETAINING RING – ¼”
44	8801080	6	6	6	5/16” E-RING
45	8800956	10	10	10	#8-32 HEX NUT W/ETW
46	4050212	3	3	3	#8-32 X ¼” PHIL PH TYP 23 SCREW
47	4033704	4	4	4	CABLE TIE (NOT SHOWN)
48	4219867.000330	1	1	1	CABINET DELIVERY DEFLECTOR
49	4220228.000330	A/R	A/R	A/R	CABINET STIFFENER FILLER
50	4222059.000330	1	-	-	G&M TRAY FILLER 3W
	4222055.000330	-	1	-	G&M TRAY FILLER 4W
	4221982.000330	-	-	1	G&M TRAY FILLER 5W
51	4220252.000330	1	-	-	BOTTOM WINDOW DEFLECTOR 3W
	4220230.000330	-	1	-	BOTTOM WINDOW DEFLECTOR 4W
	4219703.000330	-	-	1	BOTTOM WINDOW DEFLECTOR 5W
52	4219704.000330	1	1	1	LEFT DELIVERY DELFECTOR
53	7250135.001	3	3	3	HOLE PLUG ½”
54	4219864.000330	1	1	1	RIGHT DELIVERY DELFECTOR
55	4222344.003330	1	-	-	DELIVERY BEZEL GUARD 3W
	4222344.004330	-	1	-	DELIVERY BEZEL GUARD 4W
	4222344.005330	-	-	1	DELIVERY BEZEL GUARD 5W
56	8800636	3	3	3	#8-18 X ½” PH PHD TYP B SCREW

XXX: SPECIFY PAINT COLOR, DECAL TEXT/ARTWORK, OR SIZE REQUIRED WHEN ORDERING - A/R: AS REQUIRED – OPT: OPTION

## HIGH SECURITY FRONT - OPTION



### HIGH SECURITY FRONT – OPTION PARTS LIST

ITEM NO.	PART NUMBER	QTY	DESCRIPTION
	4218988.003	1	HIGH SECURITY FRONT – 3W
1	4218988.004	-	HIGH SECURITY FRONT – 4W
	4218988.005	-	HIGH SECURITY FRONT – 5W
2	4215382	12	#10-24 X 3/4" SS PINNED TORX SAFETY SCREWS
3	7200729.004	12	#10 FLAT WASHER
4	4209845	A/R	PROTECTIVE WINDOW SEAL

XXX: SPECIFY PAINT COLOR, DECAL TEXT/ARTWORK, OR SIZE REQUIRED WHEN ORDERING - A/R: AS REQUIRED – OPT: OPTION

## OPTIONAL SPIRALS

SINGLE SPIRAL - CCW PART NUMBER	DUAL SPIRAL - CW PART NUMBER	SPIRAL SIZE	SPIRAL COUNT	ESTIMATED PRODUCT SIZE INCHES (MM)
4200272.100309	4205532.100309	Candy	15	1.22 (31)
4200272.101309	4205532.101309	Candy	18	1.00 (25)
4200272.102309	4205532.102309	Candy	24	0.71 (18)
4200272.103309	4205532.103309	Candy	30	0.51 (13)
4200272.104309	4205532.104309	Candy	12	1.55 (39)
4200272.105309	4205532.105309	Candy	9	2.10 (53)
4200272.106309	4205532.106309	Candy	6	3.16 (80)
4200272.107309	-	Snack	10	1.89 (48)
4200272.108309	-	Snack	12	1.55 (39)
4200272.109309	-	Snack	15	1.22 (31)
4200272.110309	-	Snack	7	2.71 (69)
4200272.111309	-	Snack	8	2.37 (60)
4200272.131309	4205532.131309	Candy	10	1.89 (48)
4200272.132309	4205532.132309	Candy	11	1.72 (44)
4200272.133309	-	Snack	30	0.51 (13)
4200272.134309	4205532.134309	Snack	18	1.00 (25)
4200272.137309	-	Snack	11	1.72 (44)
4200272.138309	-	Snack	6	3.16 (80)
4200272.139309	-	Snack	5	3.50 (89)
4200272.140309	-	Snack	12	1.63 (41)
4200272.141309	-	Candy	29 1/2	0.52 (13)
4200272.142309	4205532.142309	Candy	8	2.37 (60)
4200272.145309	4205532.145309	Candy	5	3.50 (89)
4200272.147309	4205532.147309	Candy	4	4.38 (111)
4200272.148309	4205532.148309	Candy	3	5.80 (147)
4202313.100309	-	G&M	18/36	1.00 (25)
4202313.102309	-	G&M	24/48	0.71 (18)
4202313.103309	-	HiCap	30/60	0.50 (13)
4202313.104309	-	HiCap	24/48	0.71 (18)
4202313.105309	-	HiCap	18/36	1.00 (25)
4202313.106309	-	HiCap	15/30	1.22 (31)
4202313.107309	-	G&M	20/40	0.86 (22)
4202313.108309	-	HiCap	12/24	1.55 (39)
4213397.000309	-	-	38	1.44 (37)

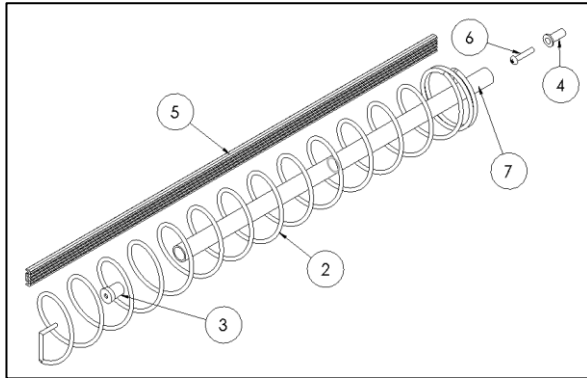
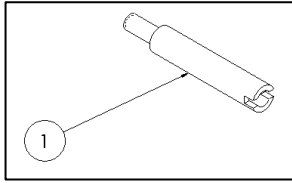
XXX: SPECIFY PAINT COLOR, DECAL TEXT/ARTWORK, OR SIZE REQUIRED WHEN ORDERING - A/R: AS REQUIRED – OPT: OPTION

## OPTIONAL PRICE SCROLLS (OLD STYLE PLASTIC TRAYS)

PRICE SCROLL PART NUMBER	SCROLL PRICE RANGE	COUNTRY
4213143.001	FREE AND .35-1.00 (.05 increments)	USA
4213143.002	.05-.30 AND 1.05 to 1.45 (.05 increments)	USA
4213143.003	1.50 TO 2.20 (.05 increments)	USA
4213143.004	2.25 TO 2.95 (.05 increments)	USA
4213143.005	3.00 TO 3.70 (.05 increments)	USA
4213143.006	3.75 TO 4.45 (.05 increments)	USA
4213143.007	4.50 TO 5.20 (.05 increments)	USA
4213143.008	5.25 TO 5.95 (.05 increments)	USA
4213143.009	6.00 TO 6.70 (.05 increments)	USA
4213143.010	6.75 TO 7.45 (.05 increments)	USA
4213143.011	7.50 TO 8.20 (.05 increments)	USA
4213143.012	8.25 TO 8.95 (.05 increments)	USA
4213143.013	9.00 TO 9.70 (.05 increments)	USA
4213143.014	9.75 TO 10.45 (.05 increments)	USA
4213143.015	11.00 TO 25.00 (1.00 increments)	USA
4213143.016	30.00 TO 100.00 (5.00 increments)	USA
4213143.017	1.5 TO 8.5 (0.5 increments)	MEXICO
4213143.018	9.0 TO 16.0 (0.5 increments)	MEXICO
4213143.019	0.5 TO 1.0 AND 16.5 TO 22.5 (0.5 increments)	MEXICO
4213143.020	1.00 TO 2.40 (0.10 increments)	AUSTRALIA/NZ
4213143.021	2.50 TO 3.90 (0.10 increments)	AUSTRALIA/NZ
4213143.022	300 TO 1600 (100 increments)	VENEZUELA
4213143.023	1700 TO 3000 (100 increments)	VENEZUELA
4213143.024	3100 TO 4400 (100 increments)	VENEZUELA
4213143.025	4500 TO 5800 (100 increments)	VENEZUELA
4213143.026	5900 TO 7200 (100 increments)	VENEZUELA
4213143.027	7300 TO 8600 (100 increments)	VENEZUELA
4213143.028	4.00 TO 7.50 (.25 increments)	USA
4213143.029	7.75 TO 11.25 (.25 increments)	USA
4213143.030	.50 TO 4.00 (.25 increments)	USA

XXX: SPECIFY PAINT COLOR, DECAL TEXT/ARTWORK, OR SIZE REQUIRED WHEN ORDERING - A/R: AS REQUIRED – OPT: OPTION

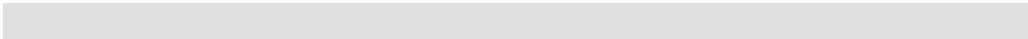
## OPTIONAL PARTS



### OPTIONAL PARTS LIST

ITEM NO.	PART NUMBER	QTY	DESCRIPTION
1	4202698	A/R	HIGH CAPACITY SHAFT RETAINER (USED W/HiCap SPIRALS)
2	<a href="#">(SEE PAGE #23)</a>	A/R	G&M SPIRAL
3	4203101	A/R	END CAP
4	4210900	A/R	SHOULDER BUSHING
5	4223108	A/R	G&M SPACER STRIP
6	8810035.001	A/R	#10 -24 X 1" TRUSS HD PH SCREW
7	4202625.001	A/R	G&M SPIRAL TUBE
8	4034388.001	A/R	MOTOR – 180 DEGREE (NOT SHOWN – REQ'D FOR G&M OPT)

### LIST OF THE PARTS NOT SHOWN



*The contents of this publication are presented for informational purposes only, and while every effort has been made to ensure their accuracy, they are not to be construed as warranties or guarantees, express or implied, regarding the products or services described herein or their use or applicability. We reserve the right to modify or improve the designs or specifications of such products at any time without notice.*



VendNet™  
165 North 10th Street  
Waukee, Iowa 50263  
United States of America



	USA & Canada	International
Service	<b>(800) 833-4411</b>	<b>(515) 274-3641</b>
Parts	<b>(888) 259-9965</b>	
Email	<b>vendnet@vendnetusa.com</b>	
Web Site	<b>www.vendnetusa.com</b>	

XXX: SPECIFY PAINT COLOR, DECAL TEXT/ARTWORK, OR SIZE REQUIRED WHEN ORDERING - A/R: AS REQUIRED – OPT: OPTION