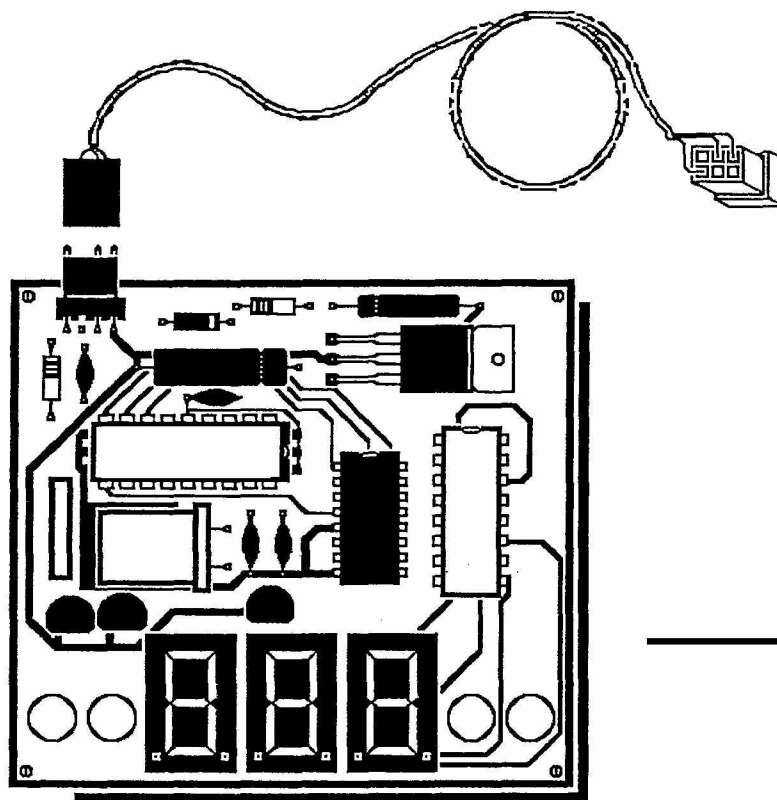
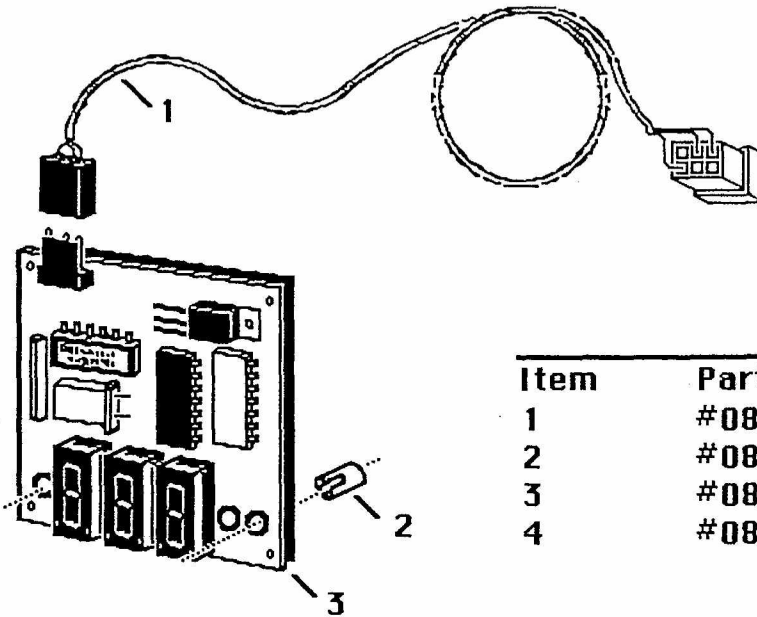


**LED CREDIT DISPLAY
KIT NO. 0850
INSTALLATION, PARTS & SERVICE**



2062 E. 70TH STREET, CLEVELAND, OH 44103
(216) 361-1022 OR TOLL FREE (800) 445-8363

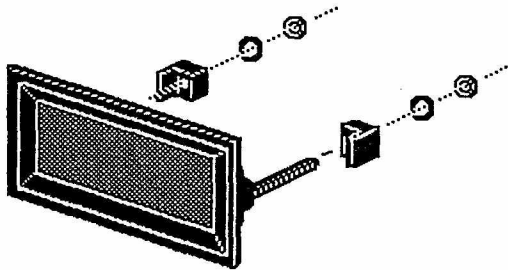
DISPLAY KIT NO. 0850



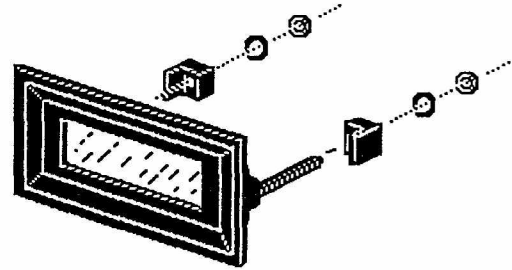
PARTS LIST

Item	Part No.	Quan.	Description
1	#0851	1	Credit Display Harness
2	#0852	2	Spacers 1/4"
3	#0855	1	PC Board Assembly
4	#0856	1	Red Lens

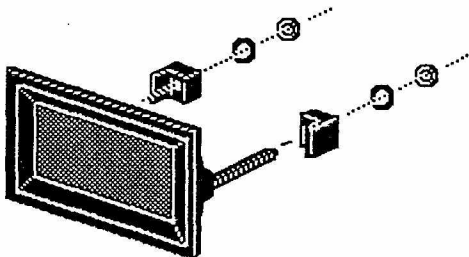
OPTIONAL PARTS



**BEZEL, FOUR NUMBER RED LENS
#0804 LED**



**BEZEL, FOUR NUMBER CLEAR LENS
#0800 LCD**



**BEZEL, THREE NUMBER RED LENS
#0803 LED**

NOTE:
BEZELS ARE NOT INCLUDED IN THE CREDIT DISPLAY KIT NO. 0850. BUT CAN BE ORDERED FROM LUTECH INC. USING THE NUMBERS SHOWN.

INSTALLATION PROCEDURES:

D&S VENDING, INC. CREDIT DISPLAY NO. 0850 CAN BE USED AS A DIRECT REPLACEMENT OF THE LCD CREDIT DISPLAY #91-20-139-4 OR THE #91-20-138-4 ON AUTOMATIC PRODUCTS CIGARETTE VENDORS. SEE INSTALLATION DISPLAY & BEZEL.

IF A MARS LCD OR SMART DISPLAY IS IN USE AT THIS TIME, THE 0850 CREDIT DISPLAY WILL PLUG INTO THE EXISTING UNIVERSAL ACCESSORY HARNESS.
IF A CREDIT DISPLAY IS NOT IN USE AT THIS TIME, THE PROPER UNIVERSAL ACCESSORY HARNESS MUST BE INSTALLED IN THE COIN CHANGER.

UNIVERSAL ACCESSORY HARNESS CAN BE ORDERED FROM MARS ELECTRONICS OR FROM D&S VENDING, INC.

COIN CHANGER MODEL NO.	UNIVERSAL ACCESSORY HARNESS NO.
MC-5800, MC-5810, MC-5805, MC-5802, MC-5807, MC-5920, MC-5920A, MC-5930, MC-5930A, MC-5900, MC-5910, MC-5960, MC-5960A (BEFORE SERIAL NO. 505-06500)	91-13-094-4
MC-5920, MC-5920A, MC-5930, MC-5930A, MC-5900, MC-5910, MC-5960, MC-5960A (AFTER SERIAL NO. 505-06500)	01-12-062-4
MC-5800D, MC-5805D, MC-5810D	01-12-064-4
TRC-6800	01-12-121-4
TRC-6800C	01-12-141-4
TRC-6200, TRC-6200C, TRC-6200D	01-12-110-4
TRC-6200, TRC-6200C	01-12-021-4

THE UNIVERSAL ACCESSORY HARNESS ON ALL "H" MODEL COIN CHANGERS IS FACTORY INSTALLED AT MARS ELECTRONICS.

INSTALLATION PROCEDURES:

1 INSTALLING BEZEL OR LENS

SEE LED DISPLAY TEMPLATE AND INSTALLATION DISPLAY AND BEZEL.

2 INSTALLING CREDIT DISPLAY

THE RED LENS IS NOT NEEDED IF THIS IS A NEW INSTALLATION. IF YOU ARE REPLACING AN LCD CREDIT DISPLAY, THEN REMOVE THE PROTECTIVE PAPER FROM THE RED LENS AND GLUE IT TO THE LED DISPLAY AS SHOWN. INSTALL THE TWO 1/4" SPACERS ONTO THE CREDIT DISPLAY FROM THE REAR OR THE NON COMPONENT SIDE OF THE PC BOARD.

3 TESTING CREDIT DISPLAY

YOU WILL NOTICE THE CREDIT DISPLAY IS (OFF). THE CREDIT DISPLAY WILL BE (OFF) UNTIL MONEY IS ACCEPTED AND WILL TURN ITSELF (OFF) AFTER A VEND IS COMPLETED.

INSERT COINS OR DOLLARS THE CREDIT DISPLAY WILL TURN (ON) AND DISPLAY THE AMOUNT INSERTED. MAKE A SELECTION OR PRESS THE COIN RETURN TO CLEAR THE CREDIT DISPLAY AND TURN IT (OFF).

OPERATION:

WHEN USING A TRC-6800, TRC-6700 OR TRC-6200 TYPE COIN CHANGER. THE CREDIT DISPLAY WILL TURN (ON) AFTER COINS HAVE BEEN INSERTED. THEN TURN (OFF) AFTER TRANSACTION HAS BEEN COMPLETED.

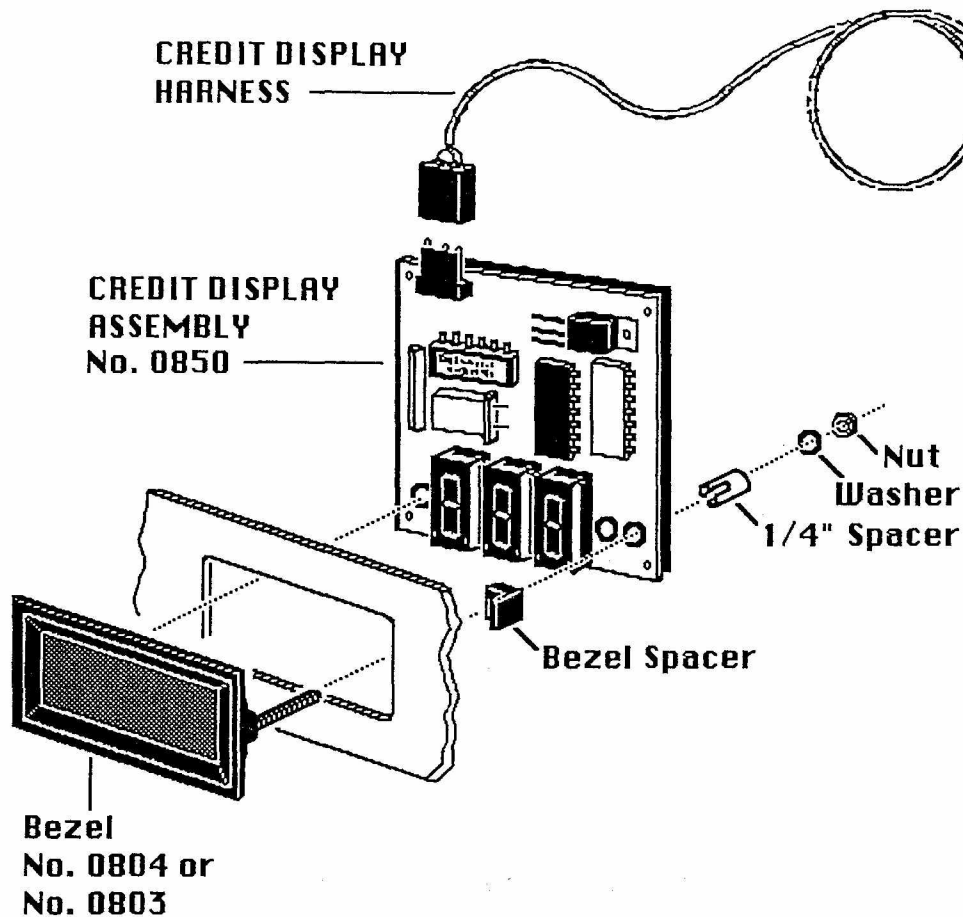
WHEN USING AN MC-5 TYPE COIN CHANGER. THE CREDIT DISPLAY WILL TURN (ON) AFTER COINS HAVE BEEN INSERTED. THEN AFTER THE TRANSACTION HAS BEEN MADE THE CREDIT DISPLAY WILL DISPLAY THE CHANGE TO BE PAID BACK, AND THEN TURN (OFF).



VENDING, INC.

2062 E. 70TH STREET, CLEVELAND, OH 44103
(216) 361-1022 OR TOLL FREE (800) 445-8363

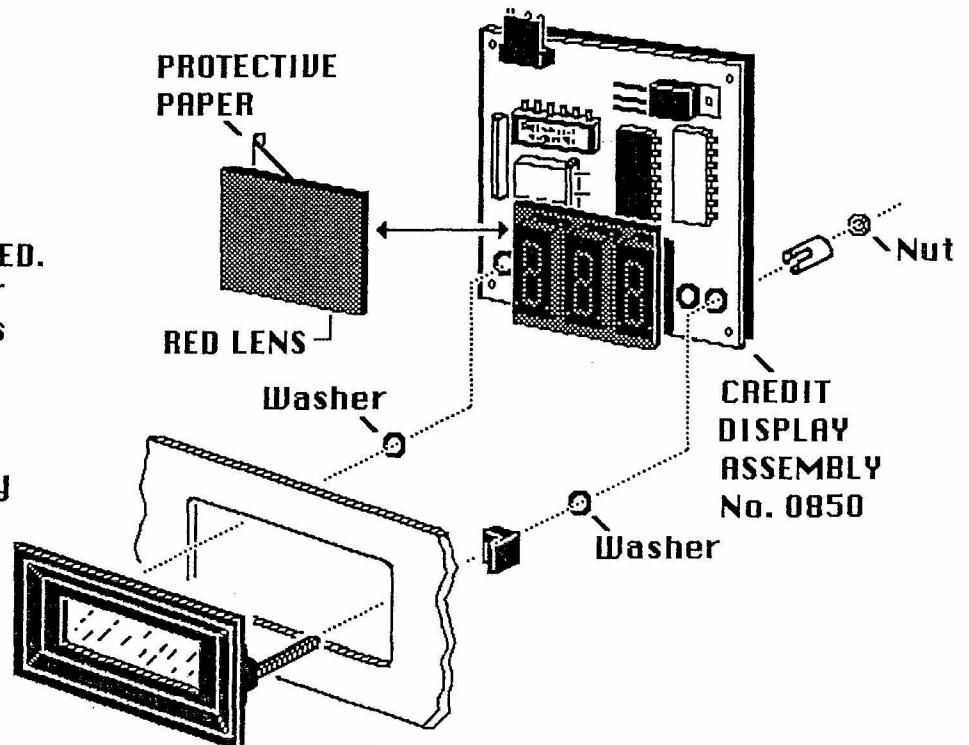
INSTALLATION DISPLAY AND BEZEL
 For Display No. 0850 and Bezels No. 0804, No. 0803



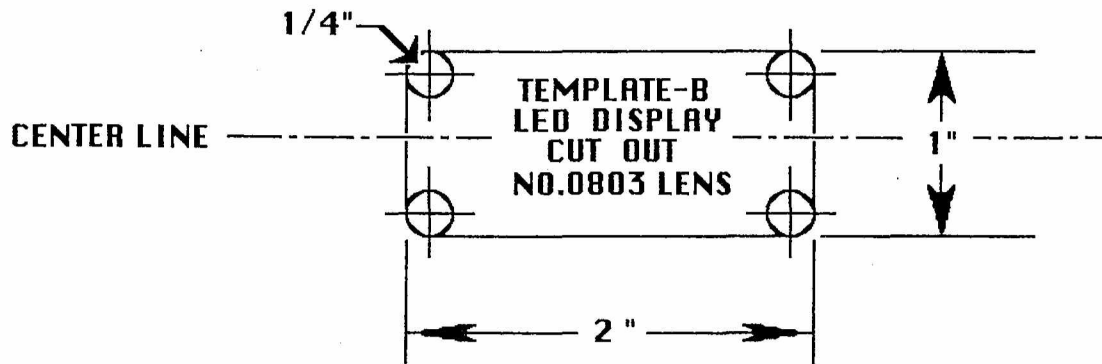
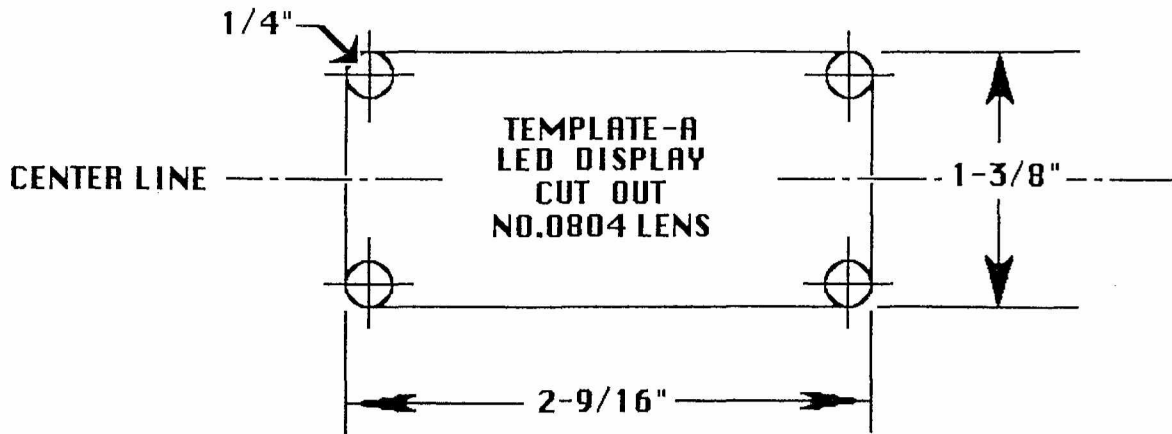
Plug the harness onto the Credit Display as shown. Remove the nut and the washer from the Bezel, then remove the Bezel spacer and install the bezel into the hole. install the Bezel spacers from inside the machine with the legs of the Bezel spacer resting on the metal. Install Credit Display onto the Bezel with the washer and nut.

If you are replacing an EXISTING LCD Display. Remove the LCD Display and set it aside. The clear LCD Bezel can still be used, BUT THE NEW RED LENS MUST BE USED. Remove the protective paper from the back of the red lens and glue the red lens to the read-outs on the new Credit Display Assembly No. 0850. Then install the Credit Display as shown above.

EXISTING CLEAR LCD BEZEL



LED DISPLAY TEMPLATES

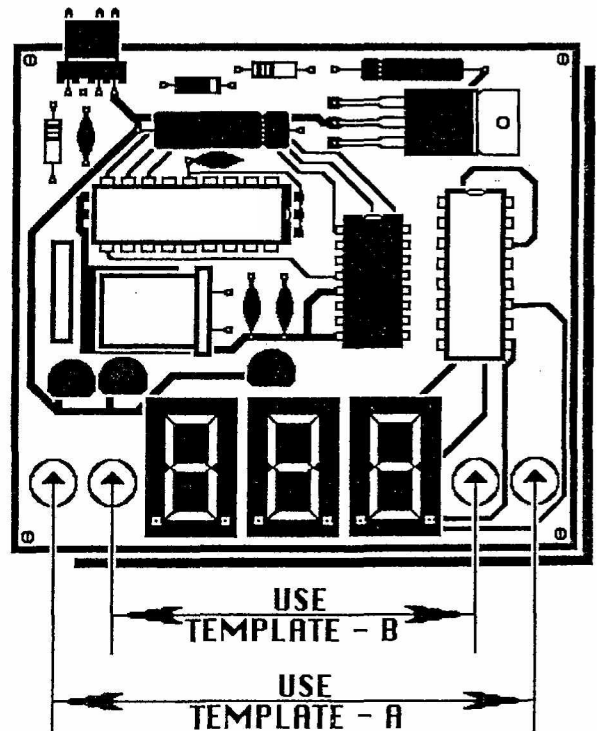


CREDIT DISPLAY NO. 0850.

If there is an existing cutout in use at this time. It need not be changed. See "DISPLAY INSTALLATIONS"

To install the bezel or lens, compare the bezel or lens you have with the Template A and B to be sure you have the proper Template. Either bezel or lens can be used. These bezels are available from D&S VENDING, INC.

No. 0803 Credit Display Lens (B Template)
No. 0804 Credit Display Lens (A Template)
Position the proper Template in desired location on the vendor. Drill four 1/4" holes at corners then cut out the opening. File any rough edges so the bezel will set flat on the outside surface of the vendor.



2062 E. 70TH STREET, CLEVELAND, OH 44103
(216) 361-1022 OR TOLL FREE (800) 445-8363