

AMS

Where Innovation Is Nothing New

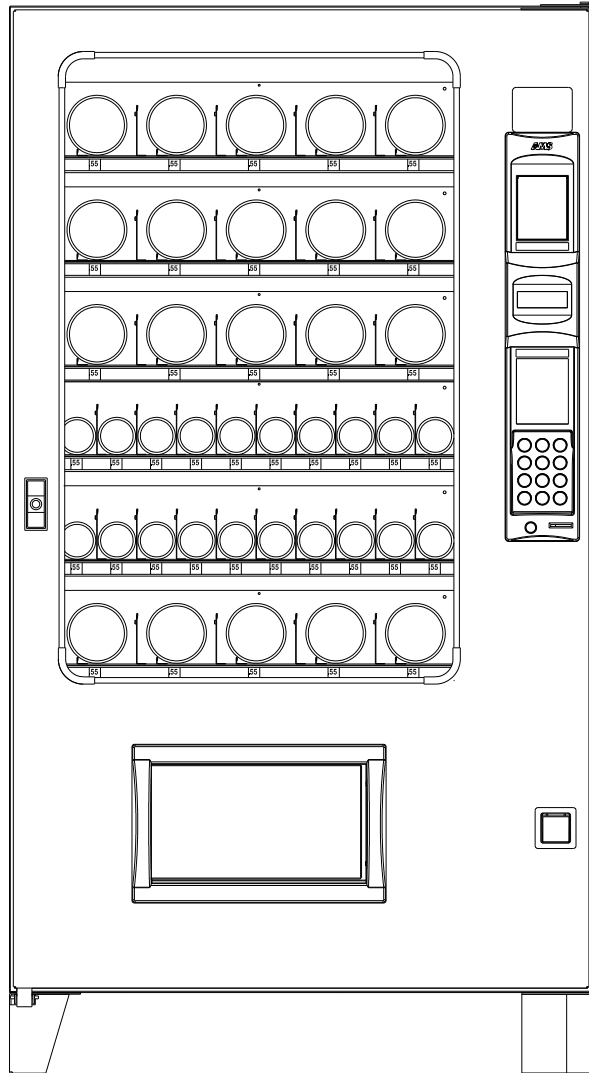
AUTOMATED MERCHANDISING SYSTEMS INC.

Epoch
SERIES™

MODEL 35" SNACK

GLASS FRONT MERCHANDISER ILLUSTRATED PARTS MANUAL

LO072 REV. H



AUTOMATED MERCHANDISING SYSTEMS INC.
255 WEST BURR BLVD.
KEARNEYSVILLE, WV 25430
304-725-6921 - Fax 304-725-6983

info@amsvendors.com
www.amsvendors.com

INTERNATIONAL A.M.S. S DE RL DE CV
KM. 9 CARR. AL CASTILLO NO. 8200
MPIO. DE EL SALTO, JAL. MEXICO 45680
5233-3-6-88-07-17 - Fax 5233-3-6-88-13-14

servicio@amsint.com.mx
www.amsint.com.mx

Table of Contents

<u>SECTION</u>	<u>PAGE</u>
INTRODUCTION	
Table of Contents	3
General Introduction	4
Manual Organization	4
Merchandiser Identification	5
Numbering System for Merchandisers	6
Patent Disclosure	6
Publication Notice	7
CABINET	
Cabinet Covers and Screens	8
Cabinet Left Side and Center View	10
Cabinet Right Side View	12
CHILLER OPTION	
Chiller Parts – Angled View	14
Chiller Parts – Top View	16
Chiller Option - Ventilated Cabinet	18
DOOR	
Door, Coin Bay	20
Door, External Parts	24
Door, Hinges, Glass and Lights	26
Door, Optional Lamps	30
Door, Sensor System and Hopper	32
Door, Trim and Finish Parts	36
POS Display	38
ELECTRICAL HARNESSSES	40
HELIX AND TRAYS	
Helixes	58
Tray, 1.5" Helix	60
Tray, Universal (Snack/Candy/Food)	62
Tray, High Capacity Heavy Product	66
Tray, Horizontal Can	70

GENERAL INTRODUCTION

The purpose of this manual is to give our customers a way of identifying major service parts for repair and replacement. The illustrations and parts list in this manual are for identification only. Some optional parts are also shown.

Illustrations of these major parts are keyed with our part numbers. The illustrations help identify the general design, position and orientation of these parts. The note section may also give important information.

Please refer to the section on merchandiser identification on the following pages. Without the model style and serial number it may be difficult to identify the required part.

Parts should be ordered from your distributor.

It is our intent to assist our customers with up-to-date documentation. However, this manual may not show all parts, variations or changes. Some parts may be shown out of scale. This manual is itself subject to change without notice. If any errors are found, please notify AMS so the correction can be included in later revisions. Engineering data and third party information are generally not included. The graphical data, group assembly data, parts, part assembly, parts breakout information and tabular data conveyed by this manual is proprietary and belongs to AMS, and holders without prior consent of or without knowledge of and by AMS must surrender this data immediately.

All measurements are in inches except where specified as Metric.

MANUAL ORGANIZATION

This manual is divided into general sections. Each section is further divided into the various subsections or subassemblies. These lead off with one or more illustrations showing the parts and each part is identified with a number. Note that some part numbers are for assemblies fabricated as a unit at AMS and are replaceable only as a unit. Also, other part numbers identify optional parts which may or may not have been contracted for and factory installed by AMS.

The part number in the illustration is listed with the description or title for that part. In some instances there may be multiple parts to choose from. The correct service or repair part for the style of merchandiser must be selected. A quantities column in the list indicates quantities required.

There is a note section where additional information may be found.

This manual contains additional and new information for a vendor as currently manufactured. Older revisions of this manual should be kept with older vendors.

MERCHANDISER IDENTIFICATION

When requesting service, replacement parts or technical assistance, please use the **Model Number** and the **Serial Number**, found on the Serial Plate (Refer to Figure 1) affixed to the merchandiser. The plate is usually located inside the window. The information contained on this plate is necessary to determine what parts, kits, or maintenance apply to your vendor.

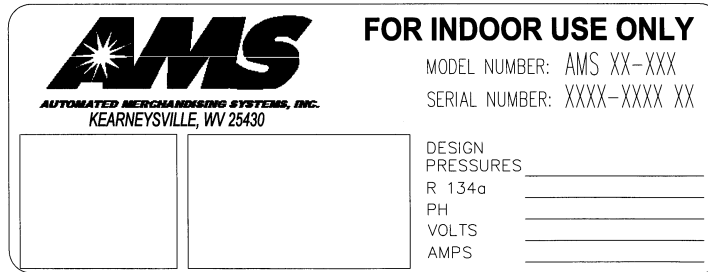
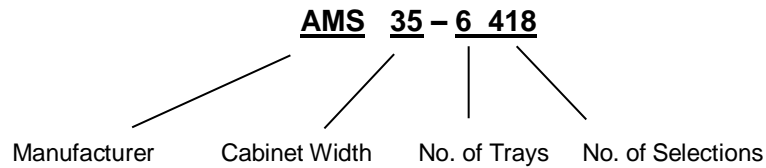


Figure 1. Example of Serial Plate

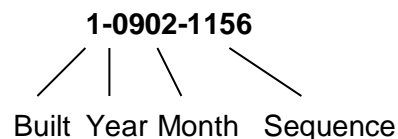
Example of Model Number Breakdown



Example: AMS35-6-418 means this vendor is an Automated Merchandising Systems merchandiser, **35"** wide, with six (**6**) trays making available four hundred eighteen (**418**) positions for different products.

NUMBERING SYSTEM FOR MERCHANDISERS

Example of Serial Numbering System



The first digit identifies where a merchandiser was manufactured. Those merchandisers built in the U.S. start with the number **1**. Those merchandisers built in Mexico start with the number **2**.

The next two digits identify the year of manufacture. These numbers are **09** (for 2009) and so forth.

The next two digits identify the month. The first month of the year is **01** and the last month is **12**.

The last four digits identify the number assigned to each merchandiser during assembly. Numbering starts with **0000** and continues through **9999**, whereupon these four digits start over at **0000**.

An example of the numbering system in use is as follows:

1-0902-1156

This merchandiser was manufactured at the Kearneysville, W.V. plant in 2009, in February, and was the 1156th merchandiser manufactured.

PATENT DISCLOSURE

This merchandiser and/or certain of its components are covered by one or more of the following U.S. and international patents;

U.S. PATENTS: 6,041,962; 6,145,699; 6,202,888; 6,384,402; 6,520,373; 6,708,079; 6,794,634; 7,191,915; 7,446,302; 7,343,220, 7,446,302, 7,742,837.

CANADIAN PATENT 2,329,314.

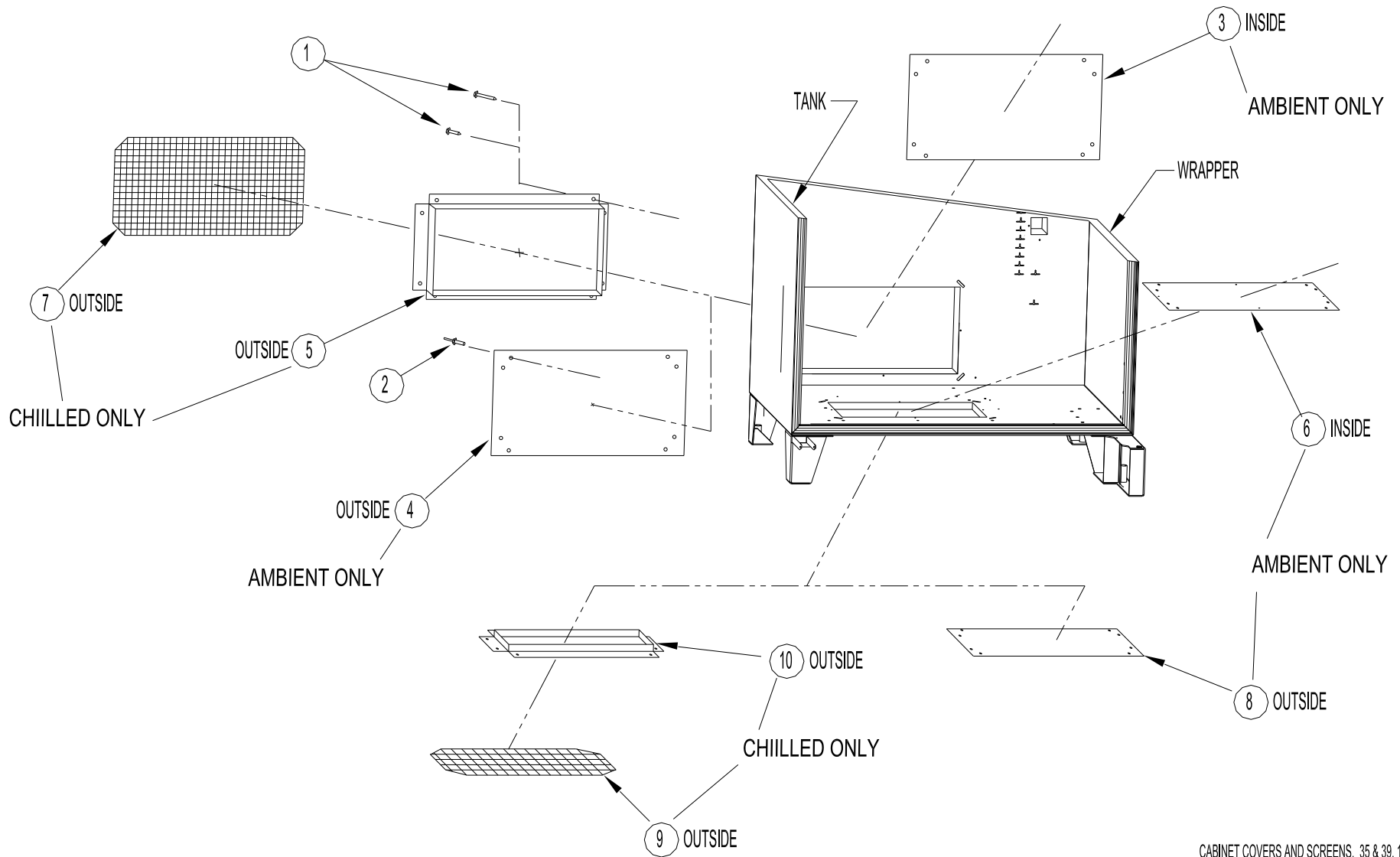
MEXICO PATENT 230714.

PUBLICATION NOTICE

L0072, Revision H, ECN 3113, 01/24/13

It is our intent to assist our customers with up-to-date information: however, this manual may not contain all updates and is subject to revision without notice. Please contact our Service Department with your requests or comments.

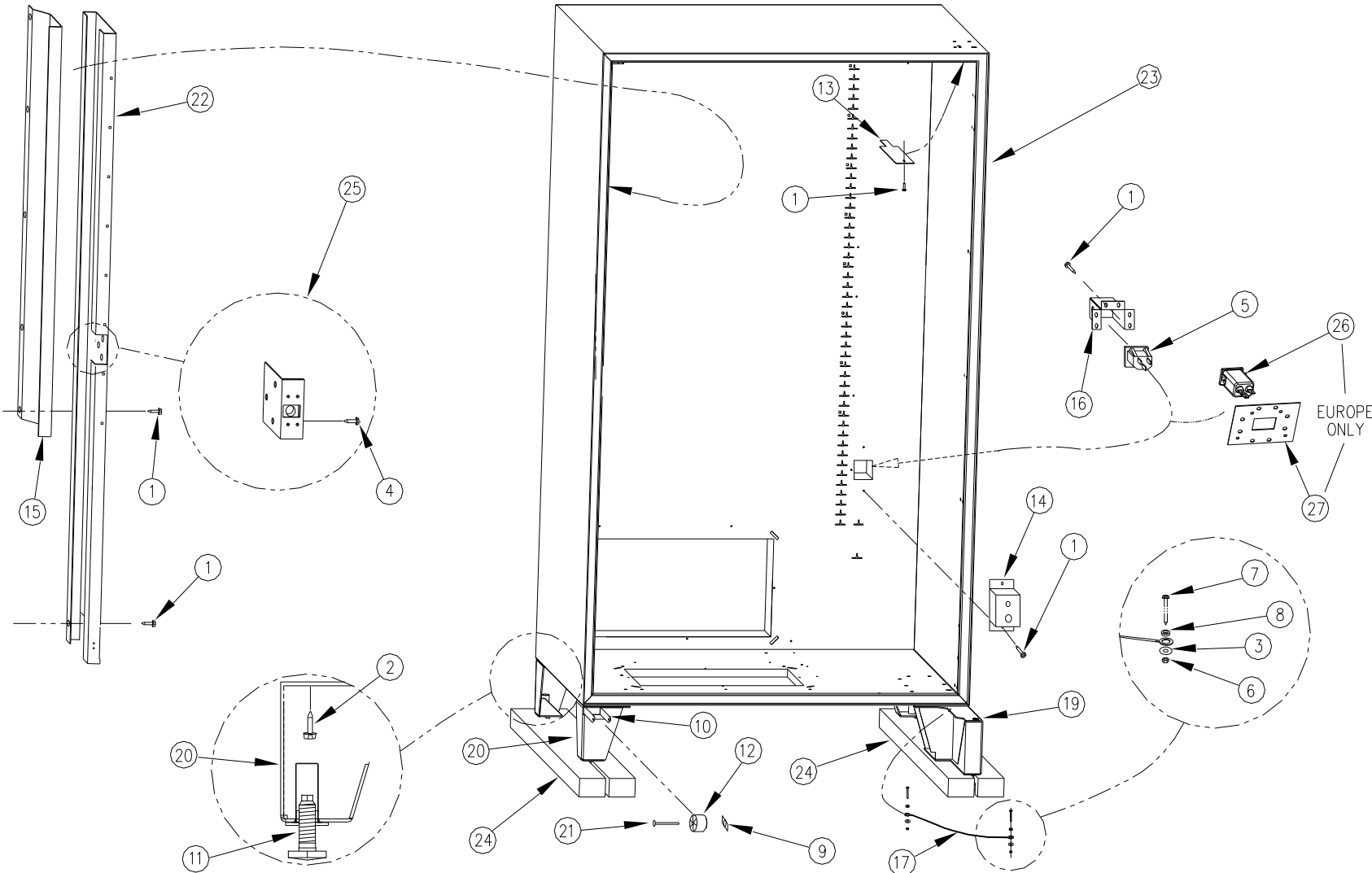
COVERS AND SCREENS ILLUSTRATION



CABINET COVERS AND SCREENS PARTS LIST				
ITEM	PART NO.	PART DESCRIPTION	QTY	NOTES
1	3000	Screw, Sheet Metal, TEK 8-18 (1/2" Long)	8	Qty For One Trim
	3000-06	Screw, Sheet Metal, TEK 8-18 (3/4" Long)		Qty For Rear Trim when option P/N 21308 is Installed
2	3009-02	Rivet, Pop, Steel, 1/8 (1/4" Long)	8	Quantities For One Cover
3	20185	Tank, Rear Chiller Hole Cover	1	Use for Ambient (No Chiller) Option.
4	20187	Wrapper, Rear Chiller Hole Cover (Black)	1	Use for Ambient (No Chiller) Option
	20187-01	Wrapper, Rear Chiller Hole Cover (Red)		
	20187-02	Wrapper, Rear Chiller Hole Cover (Blue)		
5	20275	Trim, Rear Chiller Hole	1	
6	20375	Tank - Rear Chiller Hole Cover (35)	1	Use for Ambient (No Chiller) Option
	20185	Tank - Rear Chiller Hole Cover (39)		
7	21308	Screen, Expanded Metal, Rear Chiller Hole	1	Add to other rear screens.
	20279	Screen, Rear Chiller Hole (39"), 4 Mesh.	1	1/4" x 1/4"
8	21481	Wrapper- Bottom Chiller Hole Cover (35")	1	Use for Ambient (No Chiller) Option
	20187	Wrapper- Bottom Chiller Hole Cover (39")		
9	21469	Screen, Bottom, Insect (35"), VER 2 Aluminum 18x16 Mesh	1	
	21040	Screen, Rear Chiller Hole, (39") 8 Mesh (1/4" X 1/4")		
	20279	Screen, Rear Chiller Hole (39")		
10	21464	Trim, Bottom Chiller Hole (35") VER 2	1	
	20275	Trim, Rear Chiller Hole (39")		

General Note: The rear opening and the bottom opening are not the same size on 35" Cabinets (ECN 1770). All screen materials are fitted to trim parts, and trim parts are attached to the outside of the cabinet with screws. The combination of screens may differ. Covers to seal the cabinet are always attached flush inside and outside the cabinet (without using trim) with rivets.

CABINET LEFT SIDE AND CENTER PARTS ILLUSTRATION

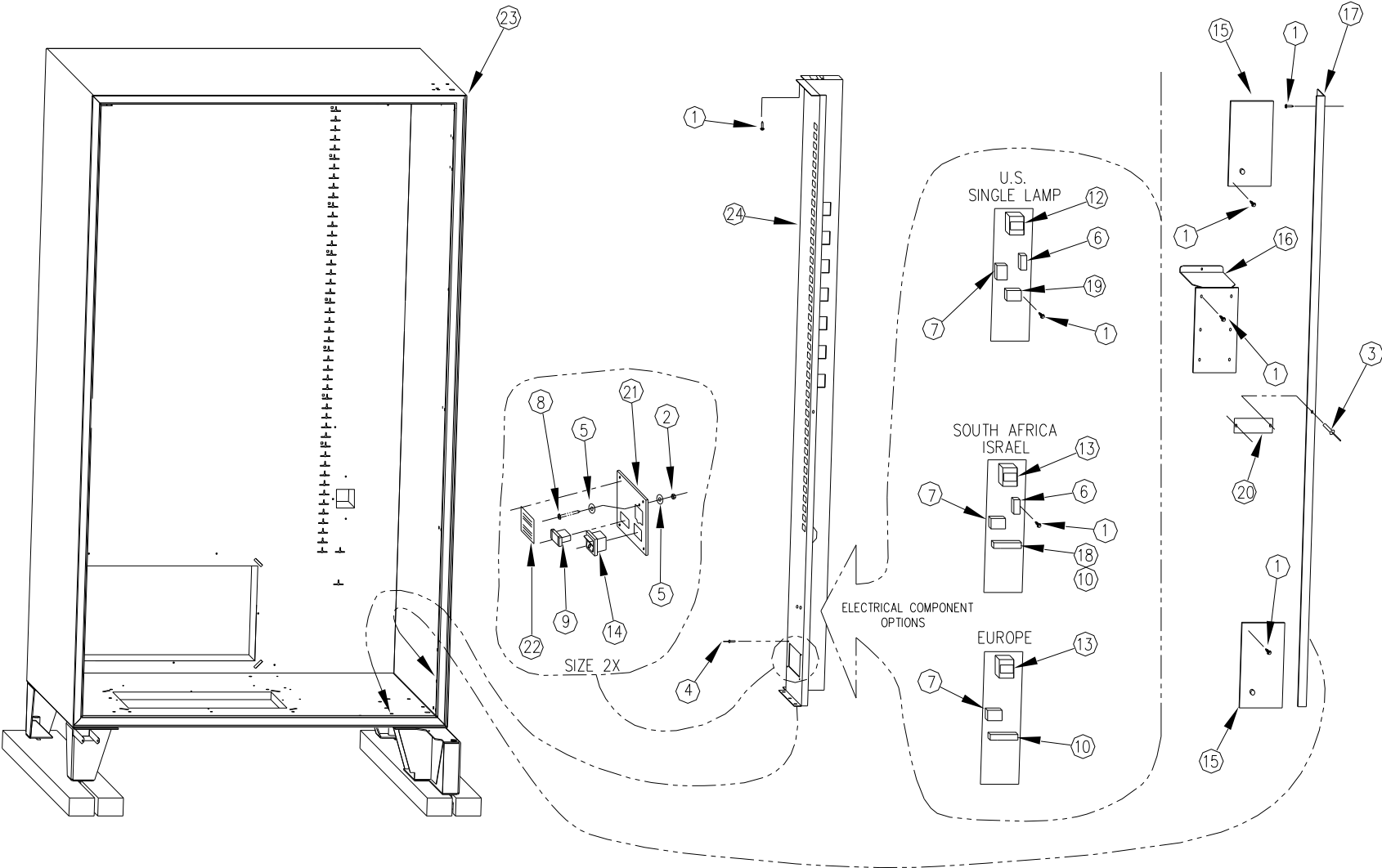


CABINET, LEFT SIDE AND CENTER 35 & 39 12-11-13

CABINET LEFT SIDE AND CENTER PARTS LIST

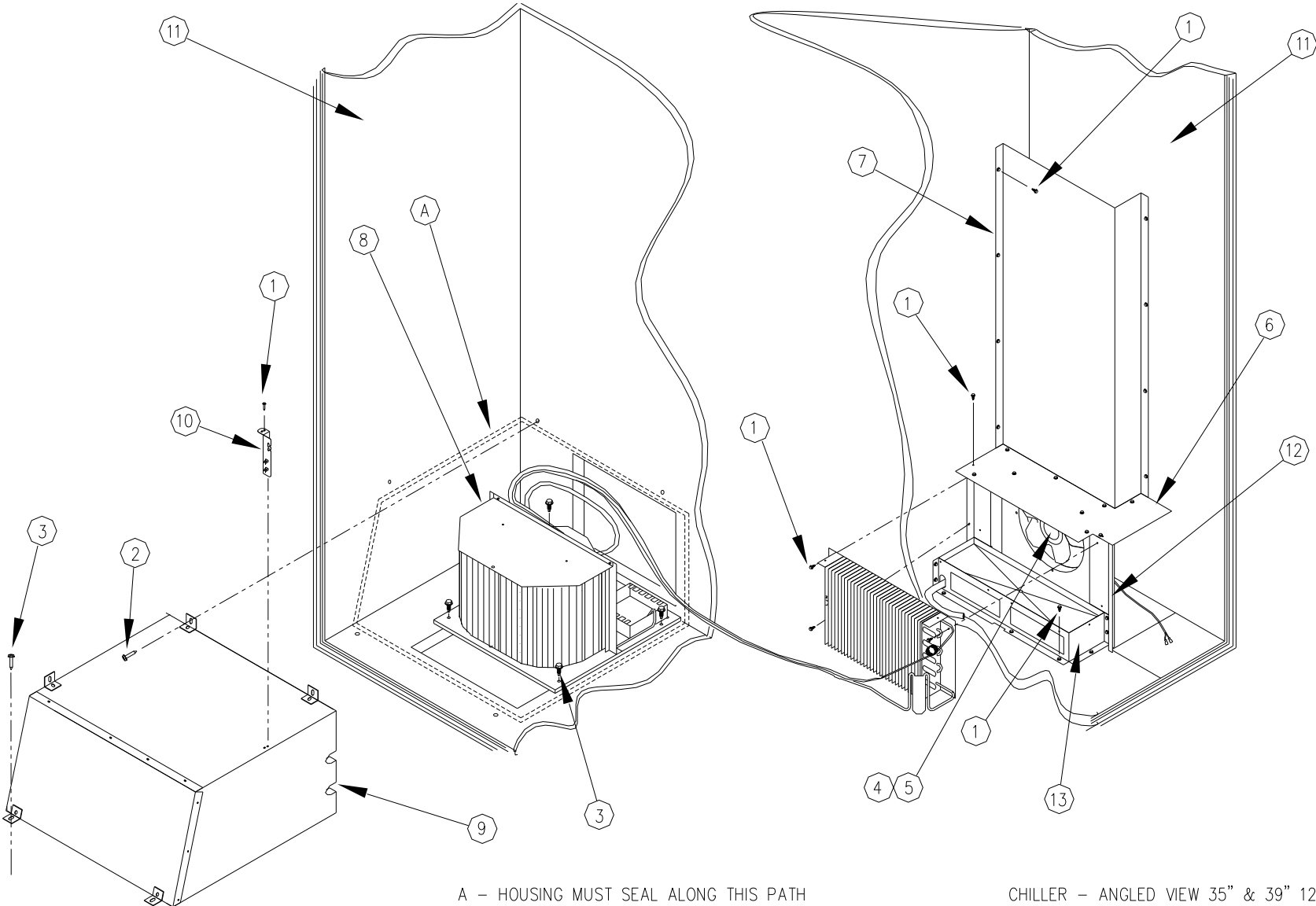
INDEX NO.	PART NO.	PART NAME	QTY	NOTES
1	3000	Sheet Metal Screw TEK #8-18	54	
2	3007-06	Screw, 5/16-18, Type F	16	4 Per Leg
3	3017-10	Washer, #10 SAE Flat	2	For Door Stop Cable (2 Places)
4	3018	Sheet Metal Screw, 1/4"	3	For Lock Assembly
5	3057	Inlet, Panel Mount, IEC	1	Snapped Into Place at Rear of Cabinet
6	3060-10	Nut, 10-32, W/Nylon Insert	2	For Door Stop Cable) (2 Places)
7	3061-06	Screw, 10-32 x 3/4 Phillips Pan Head	2	For Door Stop Cable (2 Places)
8	3067	Spacer, .192 ID x .125 Length x 3/8 Dia.	2	For Door Stop Cable (2 Places)
9	3113	Push Nut, 3/16" Stud	1	
10	20019	Leg, Roller Bracket	1	
11	20121	Leveling Leg	5	Cabinet To Be Leveled Using All Legs
12	20177	Roller, Molded (Nylon)	1	
13	20291	Cover Plate, Hinge Hole, Ver. 2	1	For Top Hinge
14	20321	Cover, IEC Inlet	1	For Shielding
15	20481	Extension, Left Vertical Rail Mount	1	
16	20608	Cover, Power Cord	1	For Power Cord Attachment to Vendor
17	20227	Cable Assembly, Door Stop, Modified	1	
18	21122	Assembly, Leg, Front Hinge With Thread Cover	1	
19	21123	Assembly, Leg, Left Front with Thread Covers	1	
20	21124	Assembly Leg, Rear with Thread Covers	2	
21	21250	Shaft, Headed Roller (Zinc Plated)	1	
22	21839	Rail Mount, Left Vertical VER 2 (3")	1	
23	21989	Assembly, Cabinet, (35")	1	Contact AMS for your application
	22071	Assembly, Cabinet, (39")		
24	23231	Shipping Board	2	40" Long, Not Treated, (DOM)
	23231-02	Shipping Board		38-3/8" Long, Not Treated, (DOM)
	23231-01	Shipping Board		40" Long, Treated (ISPM 15), (EXPORT)
	23231-03	Shipping Board		38-3/8" Long, Treated (ISPM 15), (EXPORT)
25	23305	Assembly, Low Temp/Snack Cabinet Lock	1	
26	3827	Power Entry Module, 230V	1	Europe Only
27	25462	Plate, Power Entry Module, CE		Europe Only

CABINET RIGHT SIDE PARTS ILLUSTRATION



CABINET RIGHT SIDE PARTS LIST				
INDEX NO.	PART NO.	PART NAME	QTY	NOTES
1	3000	Sheet Metal Screw TEK #8-18	54	
2	3006-08	Nut, 8-32, Hex, Machine Screw	1	For Attaching Power Harness
3	3009-02	Rivet, Pop, Steel, 1/8 x 1/4 Grip Length	2	
4	3009-04	Rivet, Pop, Steel, 1/8 x 3/8" Grip Length	4	For Attaching 21479
5	3017-10	Washer, #10 SAE Flat	2	For Power Harness
6	3030	Filter, RFI	1	For Filtering Electrical Noise.
7	3274	Relay, Refrigeration, Single Pole	1	For 24V Control of Optional Chiller
8	3084-10	Screw, Sems, 8-32	1	For Power Harness
9	3133-30	Assembly, Fuse Holder With Fuses	1	Use P/N 3097 3AG Fast Blow Fuse Only
10	3158	Ballast, 230V 50Hz, 15 W (European) (35")	1	For Operating 3160 Florescent Lamp
	3165	Ballast, 230V 50Hz, 18 W (European) (39")		
12	3257	Transformer, Class II, 120V / 24V	1	For Power
13	3258	Transformer, CE, 230V / 24V	1	For Power
14	3284	Switch, Rocker, On/Off	1	For 24VAC Circuit Control
15	20882	Cover Plate, Column, Fixed, Right Column	2	
16	20211	Cover Plate, Transformer	1	
17	20213	Flange, Right Vertical	1	
18	20583	Harness, Ballast European	1	220V Single
19	20563	Harness, Ballast Assy 2	1	110V Single
20	21053	Stiffener, Right Vertical Rail Mount	1	
21	21479	Plate, Fuse Holder, Socket And Power Switch Mount	1	Attached Inside of Rail Mount
22	21509	Decal, 24V Fuse, Ver. 2	1	
23	23305	Assembly, Cabinet, (35")	1	Contact AMS for your application
	22071	Assembly, Cabinet, (39")		
24	23724	Rail Mount, Right Vertical, Snack, (35")	1	
	21476	Rail Mount, Right Vertical, Snack, (39")		

CHILLER PARTS ILLUSTRATION - ANGLED VIEW

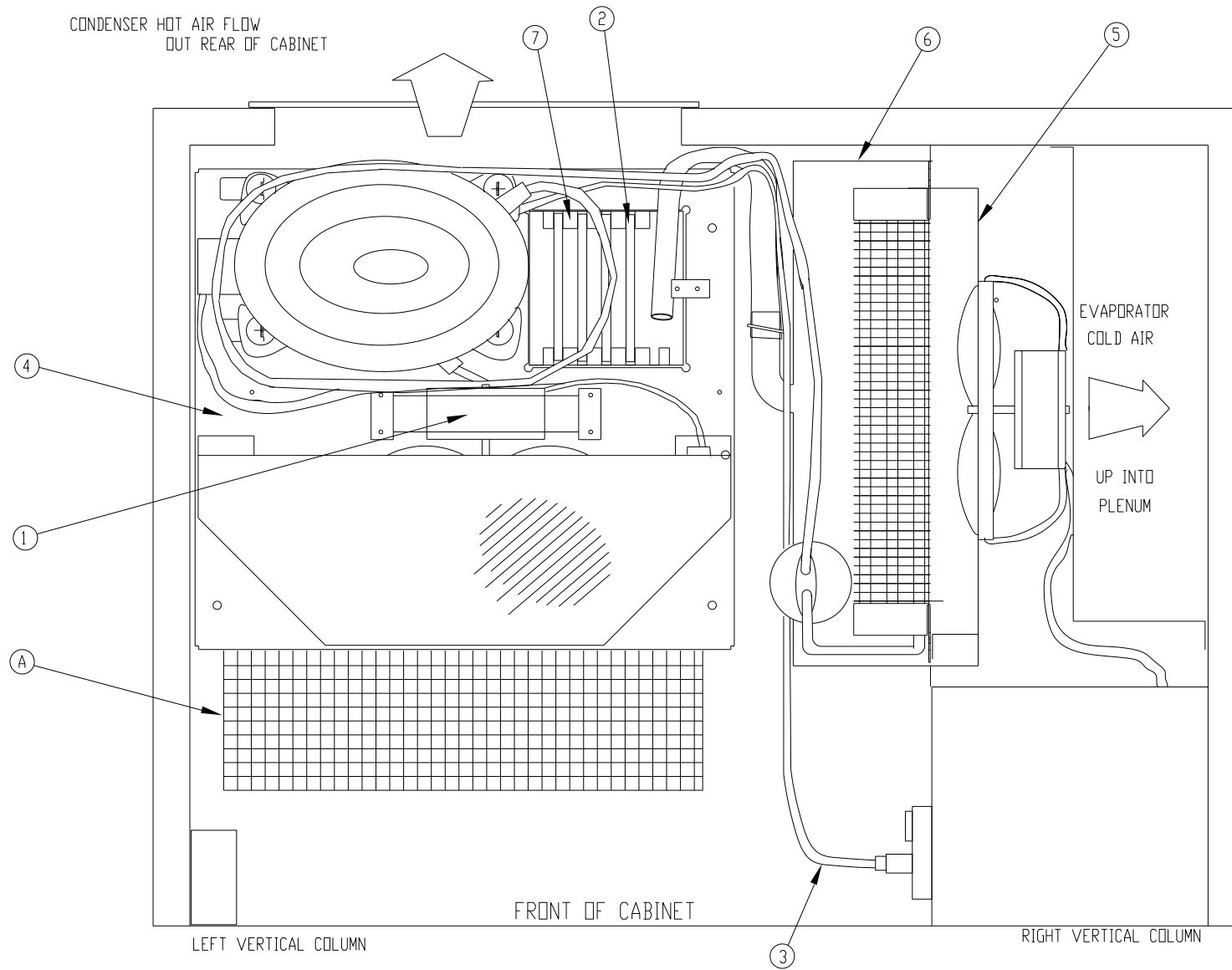


CHILLER PARTS LIST – ANGLED VIEW				
ITEM	PART NO	PART DESCRIPTION	QTY	NOTES
1	3000	Sheet Metal Screw TEK #8-18	46	
2	3018-06	Screws, ¼ x ¾, Self Tapping, Hex Head	2	For Attaching To Tank Walls
3	3018-08	Screws, ¼ x 1, Self Tapping, Hex Head	6	For Attaching To Tank Floor
4	3106	Evaporator Fan/Motor Assembly, 220V, 50Hz, 1 Phase	1	Note Voltage!
5	3107	Evaporator Fan/Motor Assembly, 110V, 60Hz, 1 Phase		
6	21987	Evaporator Cover Plate (35")	1	
	20316	Evaporator Cover Plate (39")		
7	20317	Evaporator Plenum	1	
8	25633	Assembly, 1/4, Chiller, 120V	1	See Note
	20531	Assembly, 1/4, Chiller, 220V		
9	23304	Assembly, Chiller Housing, English (35")	1	Housing must seal against Cabinet As Shown
	23304-01	Assembly, Chiller Housing, Spanish (35")		
	22105	Assembly, Chiller Housing, English (39")		Housing must seal against Cabinet As Shown. Supplied with access Door.
	22105-01	Assembly, Chiller Housing, Spanish (39")		
10	21424	Bracket, Temperature Sensor, Sensit II	1	
11	23305	Assembly, Cabinet, (35")	1	Contact AMS For Your Application
	22071	Assembly, Cabinet, (39")		
12	21991	Evaporator Mounting Panel, Stamped Drain Pan	1	For Stamped Pan Assemblies
13	21992	Assembly, Stamped Evaporator Drain Pan	1	Use with 21991, Evaporator Mounting Panel

NOTE: Chiller assemblies are charged with refrigerant and are replaceable only as an assembly. The refrigeration system is pressurized and sealed at the factory. Puncturing or cutting any component in the system will cause refrigerant gas and liquid to be propelled out of the system, creating an immediate physical hazard. Use caution to avoid accidentally opening the refrigerant system. It should also be noted that releasing refrigerant to the atmosphere is a federal crime and is punishable by law. Any service work requiring the system to be opened must be performed by a licensed technician using certified recovery equipment. Unauthorized service to the sealed refrigerant system may void the warranty.

Ambient snack merchandisers have no chillers or chiller parts. Ventilated merchandisers have a forced air system without any chiller.

CHILLER PARTS ILLUSTRATION - TOP VIEW



A = BOTTOM AIR INLET SCREEN

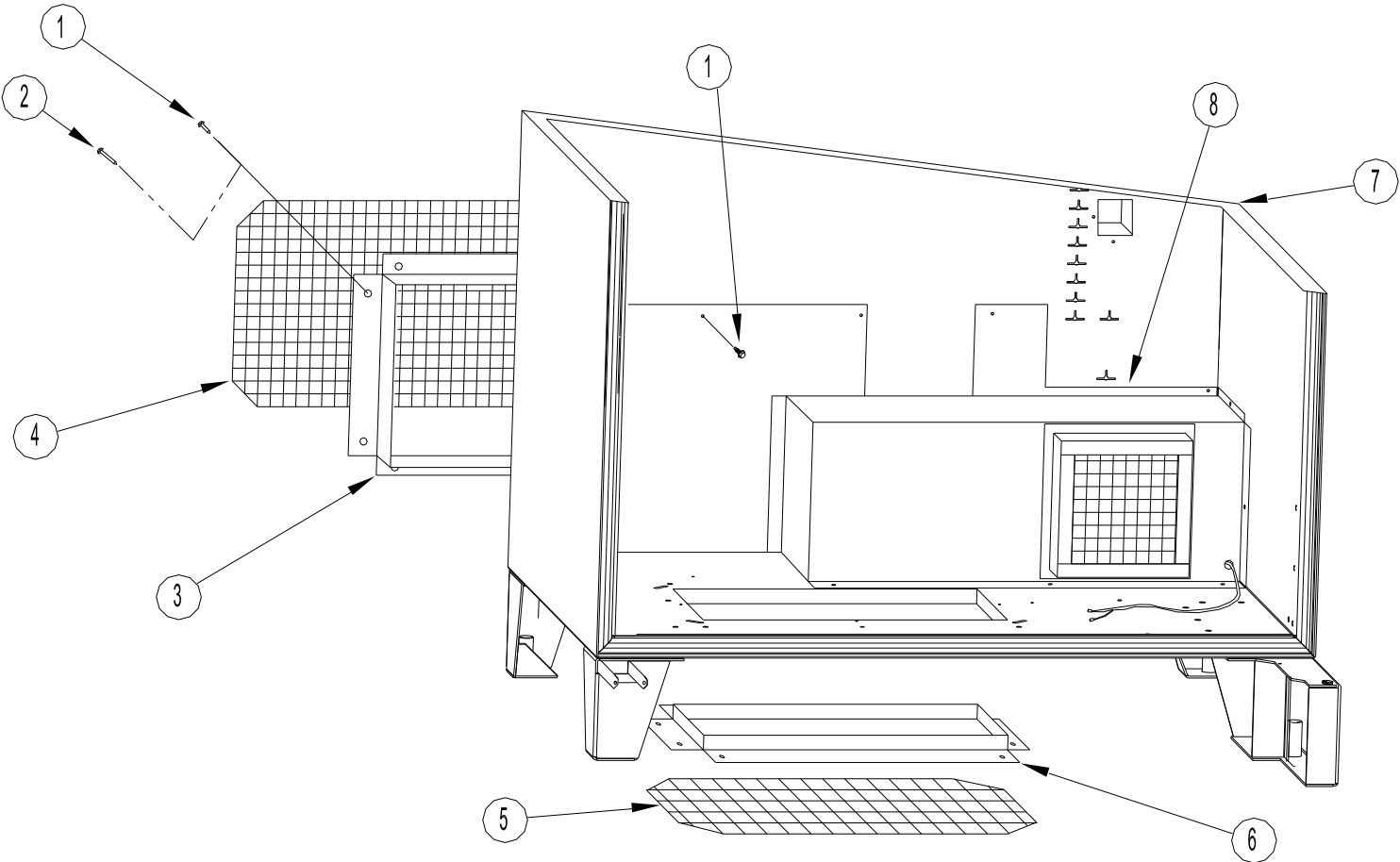
CHILLER TOP VIEW 35 & 39 12-12-13

CHILLER PARTS LIST – TOP VIEW				
ITEM	PART NO	PART DESCRIPTION	QTY	NOTES (See Note A Below)
1	3065	Fan, Condenser Assembly, 220V, 50Hz, 1 Phase	1	Note Voltage!
	3108	Fan, Condenser Assembly, 110V, 60Hz, 1 Phase		Note Voltage!
2	3093	Sponge (Condenser Drain Pan)	4	
3	20144	Refrigeration Harness	1	Use With Both 110V or 220V Systems
4	25633	Assembly, 1/4 H.P. Chiller, 120V, VER 2, AMS (WV)	1	See Note
	20531	Assembly, 1/4 H.P. Chiller, 240V, VER 2, AMS (WV)		
5	21991	Evaporator Mounting Panel, Stamped Drain Pan	1	Used with Stamped Pan Assemblies
6	21992	Assembly, Stamped Evaporator Drain Pan	1	Use with 21991, Evaporator Mounting Panel
7	22048	Condenser Drain Pan, Formed	1	Stamped Fabrication

NOTE A: Chiller assemblies are charged with refrigerant and are replaceable only as an assembly. . The refrigeration system is pressurized and sealed at the factory. Puncturing or cutting any component in the system will cause refrigerant gas and liquid to be propelled out of the system, creating an immediate physical hazard. Use caution to avoid accidentally opening the refrigerant system. It should also be noted that releasing refrigerant to the atmosphere is a federal crime and is punishable by law. Any service work requiring the system to be opened must be performed by a licensed technician using certified recovery equipment. Unauthorized service to the sealed refrigerant system may void the warranty.

Ambient snack merchandisers have no chillers or chiller parts. Ventilated merchandisers have a forced air system without any chiller.

CHILLER OPTION - VENTILATED CABINET ILLUSTRATION



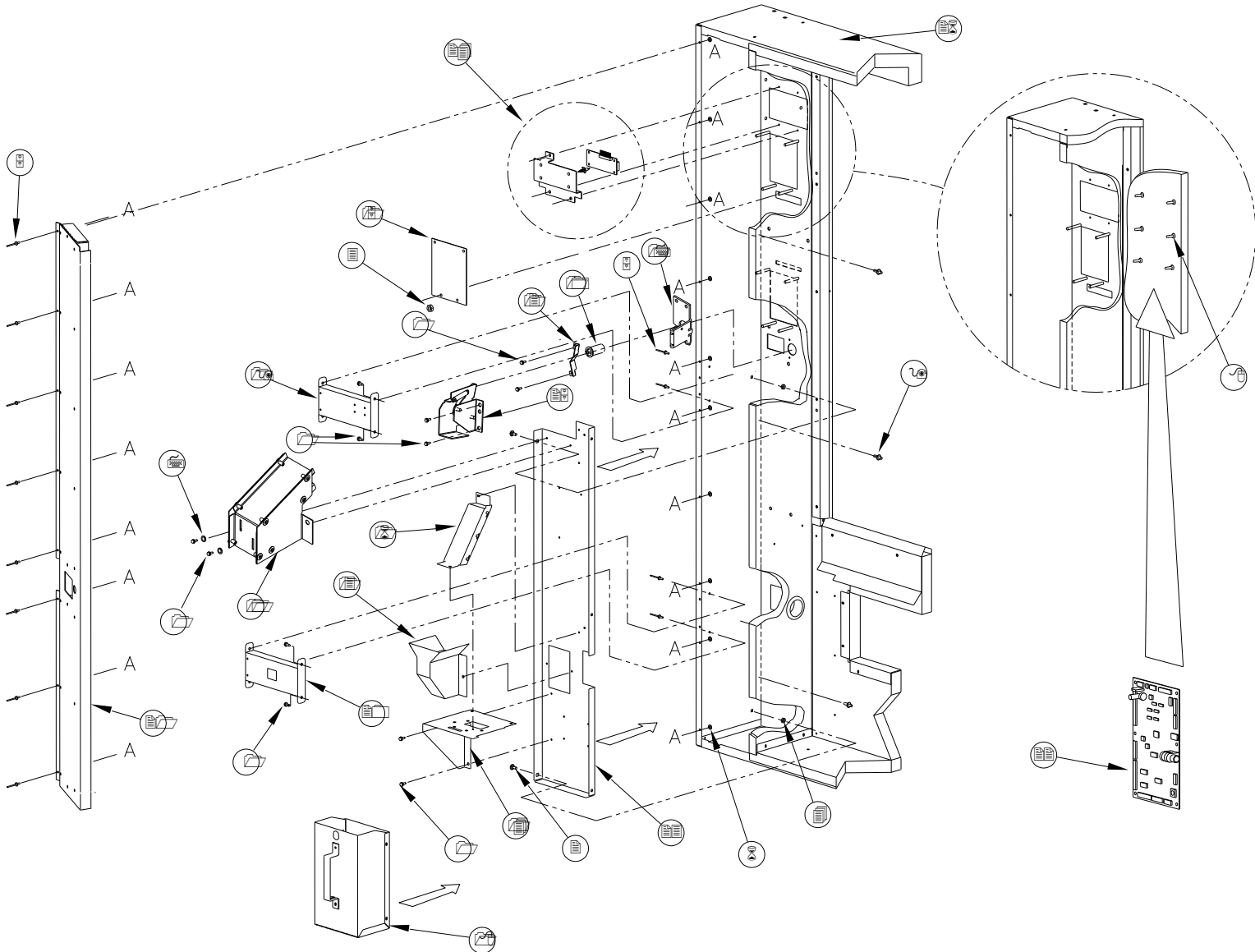
VENTILATED CABINET 35 & 39 12-12-13

CHILLER OPTION - VENTILATED CABINET PARTS LIST				
ITEM	PART NO.	PART DESCRIPTION	QTY	NOTES
1	3000	Screw, Sheet Metal, TEK 8-18	16	Qty For Two Trim Parts
			12	Qty For Ventilator Assembly
2	3000-06	Screw, Sheet Metal, TEK 8-18	8	Replace Item 1 For Rear Trim only When Option P/N 21308 is Installed
3	20275	Trim, Chiller Hole	1	
4	21040	Screen, Rear Chiller Hole, 8 Mesh (1/4" X 1/4")	1	
	21308	Screen, Expanded Metal, Rear Chiller Hole	1	Add to other rear screens.
5	21463	Screen, Bottom Chiller Hole, (35") 8 Mesh, VER 2	1	
	20279	Screen, Rear Chiller Hole		
6	21464	Trim, Bottom Chiller Hole (35") VER 2	1	
	20275	Trim, Chiller Hole (39")		
7	21989	Assembly, Cabinet, (35")	1	Tank is Inside, Wrapper is Outside
	22071	Assembly, Cabinet, (39")		
8	23303	Assembly, Ventilator, Ver. 3, (35") 110V	1	
	22080	Assembly, Ventilator, Ver. 4, (39") 110V		

General Note: The rear opening and the bottom opening are not the same size on 35" Cabinets (ECN 1770). All screen materials are fitted to trim parts, and trim parts are attached to the outside of the cabinet with screws. The combination of screens may differ. Covers are not used. Cabinet is shown without any other parts.

Ambient snack merchandisers have no chillers or chiller parts. Chiller units provide refrigeration in the cabinet.

DOOR COIN BAY ILLUSTRATION



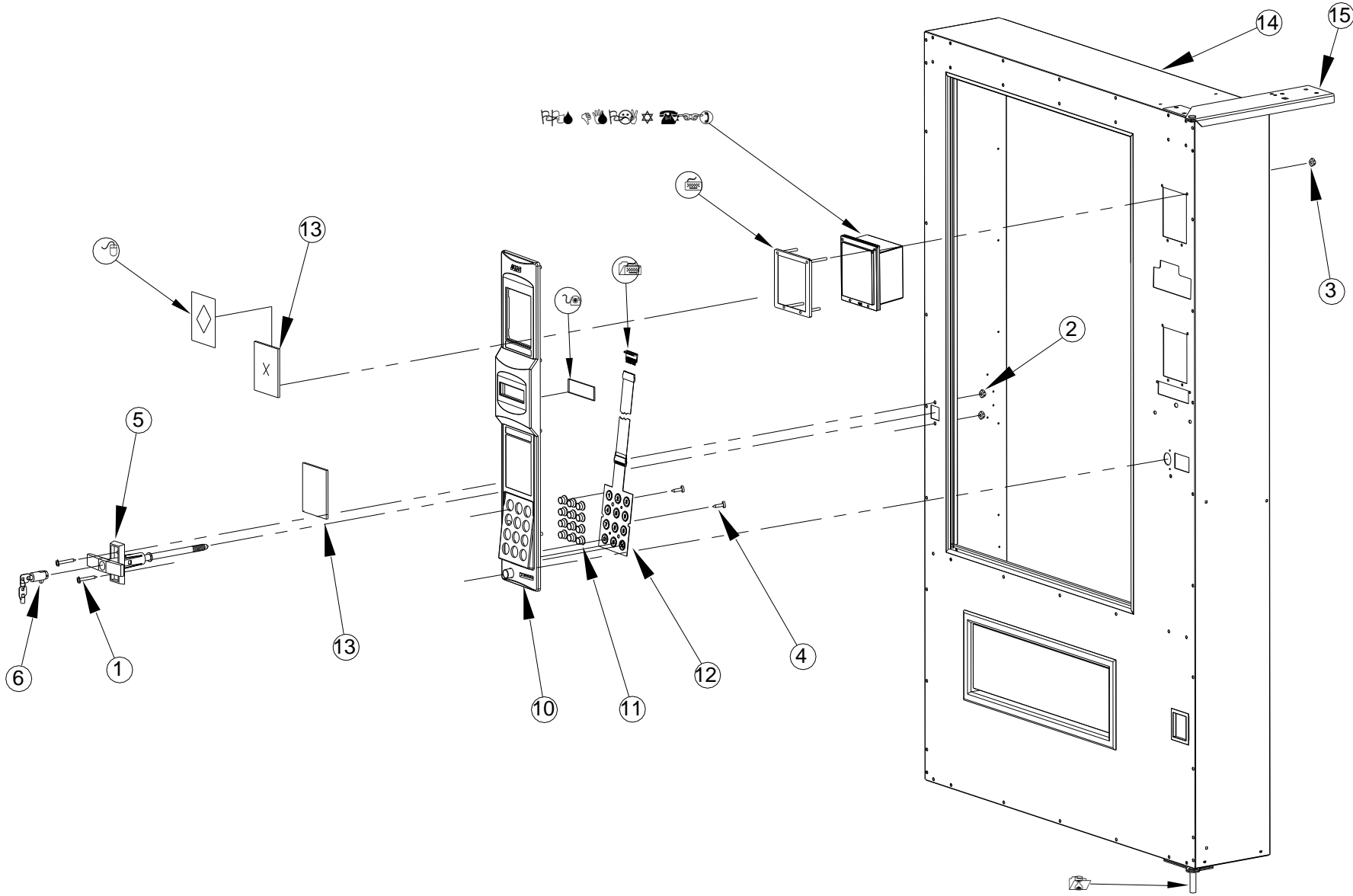
DOOR COIN BAY 35 & 39 12-12-13

DOOR COIN BAY PARTS LIST				
INDEX NO.	PART NO.	PART NAME	QTY	NOTE
1	3000	Screw, Sheet Metal TEK 8-18	18	
2	3005-04	Carriage Bolt, #10-24, 1/2"	5	
3	3006-08	Nut, Hex, Machine Screw, #8-32	8	4 per DBV Opening
4	3006-10	Nut, Hex, Machine Screw, #10-24	5	
5	3009-04	Rivet, Steel, 1/8", Black, Grip Length 1/4"	12	
6	3017-06	Washer, Flat Steel, SAE Std., #6 Screw 5/32	10	
7	3017-10	Washer, Flat Steel, SAE Std., #10 Screw 7/32 X 1/2	2	
8	3037-1	PC Board Support (3/16")	6	For Control Board
9	3038	Rivet, Nylon, Trim	2	Hold Door Closed
10	20081-01	Scavenger Button, Blk	1	
11	24631	Assy., Coin Chute, Upper	1	
12	24641	Scavenger Guide, Epoch	1	
13	23373	Assembly, Plastic Coin Cup	1	
14	24961	Coin Box Bulkhead	1	
15	20181	DBV Cover Plate	2	Flat Steel Plate, 1 per DBV Opening
16	24962	Assembly, Coin Chute, Lower	1	
17	24642	Bracket, Pushbutton Alignment, Epoch	1	
18	24613	Assembly, Coin Box	1	
19	20706	Door Stiffener, Upper, Without Fuse And Switch	1	Not Shown
	20709	Door Stiffener, Upper, Locking, W/O Fuse And Switch		
20	20707	Door Stiffener, Bottom With Switch	1	
21	20752	Assembly, Coin Door, Upper (51")	1	
22	25655	Control Board, Sensit 3	1	
23	24608	Mounting Panel, Changer, Multi-Use	1	
24	24739	Assembly, Display, VER 3, Escutcheon, Sensit II	1	Contains display board
25	24625	Assembly, Scavenger System, VER. 3, ADA Escutcheon, Epoch	1	

26	25222	Assy., Foamed Door, Snack, Epoch (35")	1	Contact AMS for your application.
	25106	Assy., Foamed Door, Snack, Epoch-ADA (35")		
	25220	Assy., Foamed Door, Snack, Epoch (39")		
	25083	Assy., Foamed Door, Snack, Epoch-ADA (39")		

THIS PAGE INTENTIONALLY LEFT BLANK

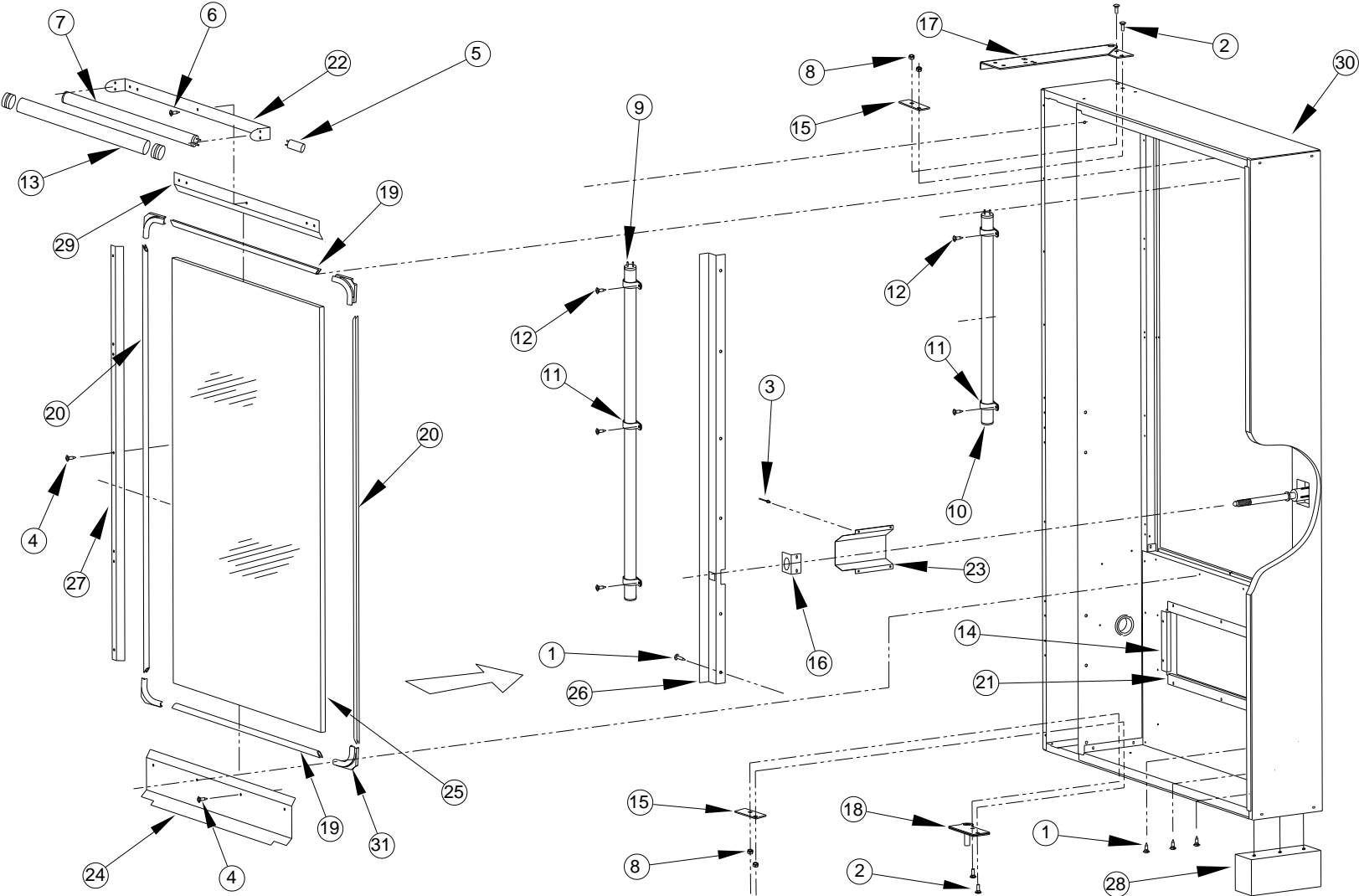
DOOR, EXTERNAL PARTS ILLUSTRATION



DOOR, EXTERNAL PARTS LIST

ITEM	PART NO.	PART NAME	QTY.	NOTE
1	3005-04	Carriage Bolt, #10-24, 1/2" Long	2	For Securing T-handle
2	3006-10	Nut, Hex, Machine Screw, #10-24	2	For Securing T-handle
3	3011	Self Threading Nut, 1/4" Stud	8	For Securing Escutcheon
4	3289-02	Screw, Type B, #8, Pan Head, Phillips #2	2	For Securing Keypad
5	20130	T-Lock Assembly	1	
6	20131	Lockset And Keys	1	Contact AMS for your application
7	20344	Assembly, DBV Mounting Bezel	2	
8	23930	Decal, Guaranteed Delivery	1	Optional Item
9	22175	Lens, Escutcheon, GFM, VER 2	1	
10	24616	Escutcheon, Plastic, Epoch	1	
	24623	Escutcheon/Keypad Assy		Includes Escutcheon, Lighted Keypad & Buttons and Display Lens
11	22177	Button, 0.90" Dia. Round, Escutcheon	12	12 Key Escutcheon
12	25688	Assembly, Lighted Keypad	1	12 Key Escutcheon
13	22184-01	DBV Cover Panel, Gray	2	Optional Item
14	25222	Assy., Foamed Door, Snack, Epoch (35")	1	Contact AMS for your application.
	25106	Assy., Foamed Door, Snack, Epoch-ADA (35")		
	25220	Assy., Foamed Door, Snack, Epoch (39")		
	25083	Assy., Foamed Door, Snack, Epoch-ADA (39")		
15	21703	Assy., Top Hinge, 3/16"	1	
16	21704	Assy., Bottom Hinge, 3/16"	1	
17	24746	Led Driver, Keypad		

DOOR HINGES, GLASS AND LIGHTING LAMPS ILLUSTRATION



DOOR, HINGES, GLASS AND FLOURESCENT LAMPS 35 & 39 12-13-13

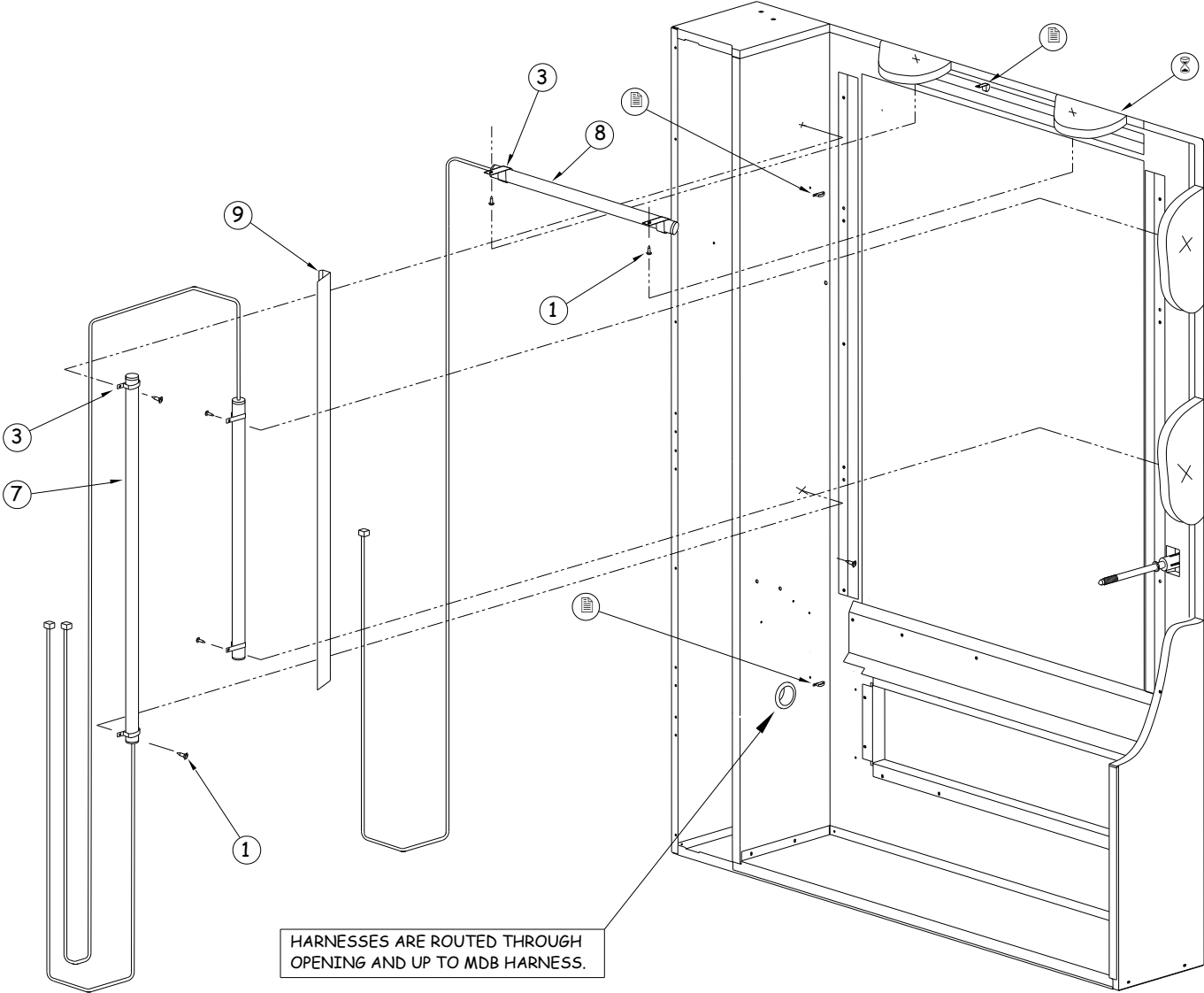
DOOR HINGES, GLASS AND LIGHTING LAMPS PARTS LIST

ITEM NO.	PART NO.	PART DESCRIPTION	QTY.	NOTE
1	3000	Screw, TEK 8-18	14	
2	3004-06	Carriage Bolt, 1/4-20, 3/4"	4	
3	3009-02	Rivet, Pop, Steel, 1/8 Diameter	4	
4	3018-06	Screw, 1/4 X 3/4, Self Tapping, Hex Head	20	For Glass Retainers
5	3056	Starter, FS2	1	For Single Fluorescent Lamp , 110V
	3163	Starter, S10		For Single Fluorescent Lamp , 230V, 50 Hz.
6	3072-06	Screw, Machine, #4-36 (3/4" Long)	3	For Single Fluorescent Lamp, 110V
7	3105	Fluorescent Lamp, 18", 1" Diameter	1	For Single Fluorescent Lamp, 110V
	23522	Lamp, LED, 24"		For Single LED Option
8	3153-11	Nut, Hex With Lock Washer	4	
9	23521	Lamp, LED, 42"	1	For Dual LED Option
10	23522	Lamp, LED, 24"	1	For Dual LED Option
11	3024-16	Cable Clamp, Black Nylon (1" Dia.)	5	For Dual LED Option
12	3342-04	Screw, Sheet Metal, Tek 8-18, Clear Zinc, 1/2" L		For Dual LED Option
13	3279	Lamp Cover, T8, 18", Clear, With End Caps	1	For Single Lamp Option
14	22381	Retainer, Vertical Eyelet	2	
15	20206	Hinge, Washer Plate	2	
16	20244	Lock Bolt Mounting Bracket	1	
17	21703	Assembly, Top Hinge, 3/16"	1	
18	21704	Assembly, Bottom Hinge Bottom, 3/16"	1	
19	24761-13	Extrusion, Glass Installation, Ver. 2, 16.91 (35")	2	Horizontal
	24761-11	Extrusion, Glass Installation, Ver. 2, 22.38 (39")		
20	24761-14	Extrusion, Glass Installation, Ver. 2, 36.59 (35")	2	Vertical
	24761-12	Extrusion, Glass Installation, Ver. 2, 37.68 (39")		
	24761-16	Extrusion, Glass Installation, Ver. 2, 31.68 (Epoch-ADA 35" & 39")		
21	20401	Retainer, Horizontal Eyelet	2	
22	24123	Assembly, Lamp Bracket, Single (35")	1	For Single Fluorescent Lamp, 110V
	20579	Lamp Mtg. Bracket, Universal (39")		For Single Fluorescent Lamp, 110V and 230V

DOOR HINGES, GLASS AND LIGHTING LAMPS PARTS LIST				
23	20447	Lock Bolt Cover, Black	1	
	20447-01	Lock Bolt Cover, White		
24	21215	Retainer, Glass Window, Bottom, 1/8" (35")	1	Abient/Vent. (Single Pane Option)
	21213	Retainer, Glass Window, Bottom, 1/8" (39")		Chilled (Dual Pane Option)
	21228	Retainer, Dual Glass Window, Bottom, 5/8" (35")		Ambient/Vent. (Single Pane Option)
	21225	Retainer, Dual Glass Window, Bottom, 5/8" (39")		
	25126-01	Retainer, Glass Window, Bottom, 1/8", Epoch-ADA (35")		
	21213-01	Retainer, White Glass Window, Bottom, 1/8", Epoch-ADA (39")		
	25216-01	Retainer, White Dual Glass Window, Bottom, 5/8", Epoch-ADA (35")		
21225-01	Retainer, White Dual Glass Window, Bottom, 5/8", Epoch-ADA (39")			
25	21217	Window, Glass, Single Pane, 1/8" (35")	1	Abient/Vent. (Dual Pane Option)
	21216	Window, Glass, Single Pane, 1/8" (39")		Chilled (Dual Pane Option)
	21219	Window, Glass, Dual Pane, 5/8" (35")		Ambient/Vent. (Single Pane Option)
	21218	Window, Glass, Dual Pane, 5/8" (39")		
	25093	Window, Glass, Single Pane, 1/8", Epoch-ADA (35")		
	25090	Window, Glass, Single Pane, 1/8", Epoch-ADA (39")		
	25094	Window, Glass, Dual Pane, 5/8", Epoch-ADA (35")		Chilled (Dual Pane Option)
	25091	Window, Glass, Dual Pane, 5/8", Epoch-ADA (39")		
26	21051	Tray Restraint, Reduced Depth, Snack, Black	1	
	21051-01	Tray Restraint, Reduced Depth, Snack, White		
27	21211	Retainer, 41" Glass Window, Vertical, 1/8" (35")	1	Abient/Vent. (Dual Pane Option)
	21210	Retainer, 41" Glass Window, Vertical, 1/8" (39")		Chilled (Dual Pane Option)
	21227	Retainer, 41" Dual Glass Window, Vertical, 5/8" (35")		Ambient/Vent. (Dual Pane Option)
	21224	Retainer, 41" Dual Glass Window, Vertical, 5/8" (39")		
	25201-01	Retainer, 36" Glass Window, Vertical, 1/8", Epoch-ADA (35")		
	21224	Retainer, 36" Glass Window, Vertical, 1/8", Epoch-ADA (39")		
	25217-01	Retainer, White, 36" Dual Glass Window, Vertical, 5/8", Epoch-ADA (35" & 39")		
28	21165	Assembly, False Leg	1	Install When Vendor is Installed on Site

29	21214	Retainer, Glass Window, Top, 1/8" (35")	1	Abient/Vent. (Dual Pane Option)
	21212	Retainer, Glass Window, Top, 1/8" (39")		
	21226	Retainer, Dual Glass Window, Top, 5/8" (35")		Chilled (Dual Pane Option)
	21223	Retainer, Dual Glass Window, Top, 5/8" (39")		
	21214-01	Retainer, Glass Window, Top, 1/8", Epoch-ADA (35")		Abient/Vent. (Dual Pane Option)
	21212-01	Retainer, Glass Window, Top, 1/8", Epoch-ADA (39")		
	21226-01	Retainer, Dual Glass Window, Top, 5/8", Epoch-ADA (35")		Chilled (Dual Pane Option)
	21223-01	Retainer, Dual Glass Window, Top, 5/8", Epoch-ADA (39")		
30	25222	Assy., Foamed Door, Snack, Epoch (35")	1	Contact AMS for your application.
	25106	Assy., Foamed Door, Snack, Epoch-ADA (35")		
	25220	Assy., Foamed Door, Snack, Epoch (39")		
	25083	Assy., Foamed Door, Snack, Epoch-ADA (39")		
31	24099	CORNER, WINDOW TRIM, PLASTIC	4	

DOOR, OPTIONAL LED LAMP ILLUSTRATION

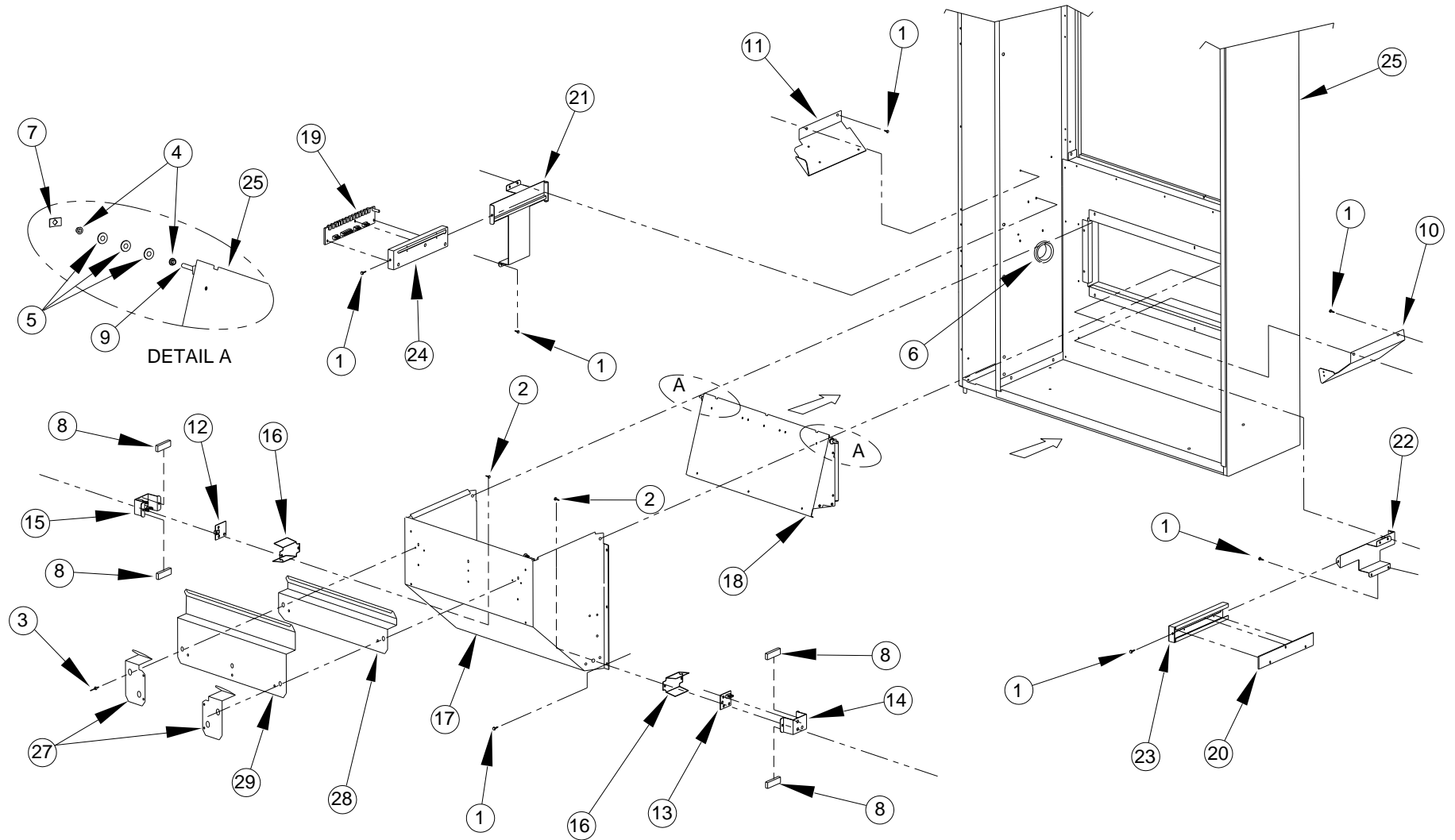


DOOR, OPTIONAL LED LAMPS 35 & 39 12-12-13

DOOR, OPTIONAL LED LAMP PARTS LIST					
ITEM NO.	PART NO.	PART DESCRIPTION	QTY FOR SINGLE	QTY FOR DUAL	NOTE
1	3000	Screw, TEK 8-18	5	8	
2	3024-06	Cable Clamp, Black, Nylon	3	3	For Securing Harness
3	3024-16	Cable Clamp, Black, Nylon	2	5	For Securing Lamps
4	20156-01	Harness, Ground	1	1	In Electrical Panel - Not Shown
5	20158	Harness, Multi-Drop Bus (MDB)	1	1	At Control Board - Not Shown
6	25222	Assy., Foamed Door, Snack, Epoch (35")	1		Contact AMS for your application.
	25106	Assy., Foamed Door, Snack, Epoch-ADA (35")			
	25220	Assy., Foamed Door, Snack, Epoch (39")			
	25083	Assy., Foamed Door, Snack, Epoch-ADA (39")			
7	23521	Lamp, LED, 42", Vertical	0	1	Lamps Have Integral Harness
8	23522	Lamp, LED, 24"	1	1	Lamps Have Integral Harness
9	23561	Lamp Visor, LED, Vertical, Snack	0	1	
10	23624	Harness, Transformer, No Ballast	1	1	In Electrical Panel - Not Shown

The LED lamp options may not have been contracted for and installed on your vendor.

DOOR, SENSOR SYSTEM AND HOPPER ILLUSTRATION



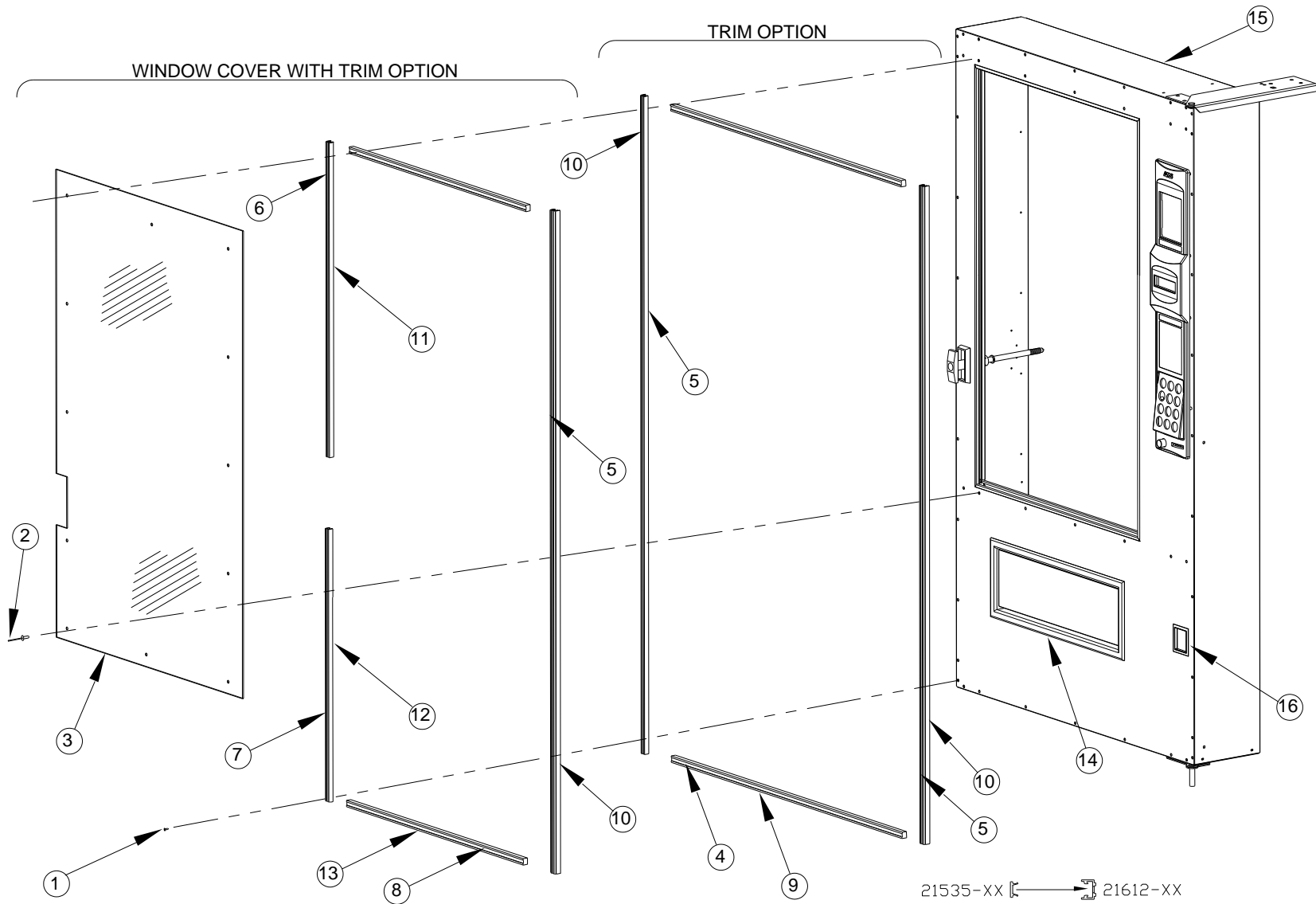
DOOR, SENSOR SYSTEM AND HOPPER PARTS LIST				
ITEM	PART NO.	PART DESCRIPTION	QTY.	NOTE
1	3000	Screw, TEK 8-18	24	
2	3002-04	Screw, Machine, Type F, 8-32	4	3/4" Long, Self-Tap, Phillips, Round Head
3	3009-04	Rivet, Pop, Steel, 1/8 x 1/4 Grip	8	
4	3015	Bearing, Nyliner Snap-In	4	
5	3017-10	Washer, Flat Steel, SAE Std. , #10 Screw 7/32 X 1/2	6	
6	3025-24	Grommet, Rubber, 1-1/2 ID x (1-3/4 OD X .062 Groove)	1	Harness Pass-Through
7	3113	Pushnut, 3/16" Stud	2	
8	3237	Tape, 3/8" X 1/4" Urethane Foam	4	1-5/8" Long Each Piece
9	20108	Vend Door, Shaft (39")	1	
10	21460	Product Kicker, Left w/out flange	1	(Left Hand When Facing Front Of Door)
	21457	Product Kicker, Left		
11	21461	Product Kicker Right w/out flange	1	(Right Hand When Facing Front Of Door)
	21458	Product Kicker Right		
12	21385	Detector, Product Sensor	1	
13	21386	Emitter, Product Sensor	1	
14	21442	Assembly, Product Sensor Emitter Bracket	1	
15	21443	Assembly, Product Sensor Detector Bracket	1	
16	21798	Lens, Product Sensor Bracket	2	
17	22262	Assembly, Vend Hopper, (35")	1	
	22384	Assembly, Vend Hopper, 1.5 CU. FT. Hopper (39")		
18	22328	Assembly, Vend Door, Snack (35")	1	
	22327	Assembly, Vend Door, Snack, 1.5 CU. FT. Hopper (39")		
19	24342	Sensor Board, Primary, Ver. 4	1	
20	24343	Sensor Board, Secondary, Ver. 4	1	
21	24970	Assembly, Primary Delivery Sensor Bracket, Epoch	1	
22	22126	Assembly, Secondary Delivery Sensor Bracket	1	
23	22128	Assembly, Secondary Delivery Sensor Cover	1	
24	22130	Assembly, Primary Delivery Sensor Cover	1	
25	25222	Assy., Foamed Door, Snack, Epoch (35")	1	Contact AMS for your application.
	25106	Assy., Foamed Door, Snack, Epoch-ADA (35")		
	25220	Assy., Foamed Door, Snack, Epoch (39")		

	25083	Assy., Foamed Door, Snack, Epoch-ADA (39")		
26	22387	Deflector Plate, 1.5" Helix Tray, RH (39" Only)	1	Rivet to Hopper For 1.5" Helix Tray (39")
27	22387-01	Deflector Plate, 1.5" Helix Tray, LH (39" Only)	1	
28	22388	Deflector Plate, 2.25" Height, 1-1/8 CU. FT. Hopper (35")	1	Rivet to Hopper in place of 22387 or 22389
	22390	Deflector Plate, 2.25" Height, 1.5 CU. FT. Hopper (39")		
29	22389	Deflector Plate, 2.71" Height, 1-1/8 CU. FT. Hopper (35")	1	Rivet to Hopper in place of 22388 or 22387
	22386	Deflector Plate, 2.71" Height, 1.5 CU. FT. Hopper (39")		

The product sensor option may not have been contracted for and installed on your vendor.

THIS PAGE INTENTIONALLY LEFT BLANK

DOOR WITH OPTIONAL TRIM AND FINISH PARTS ILLUSTRATION



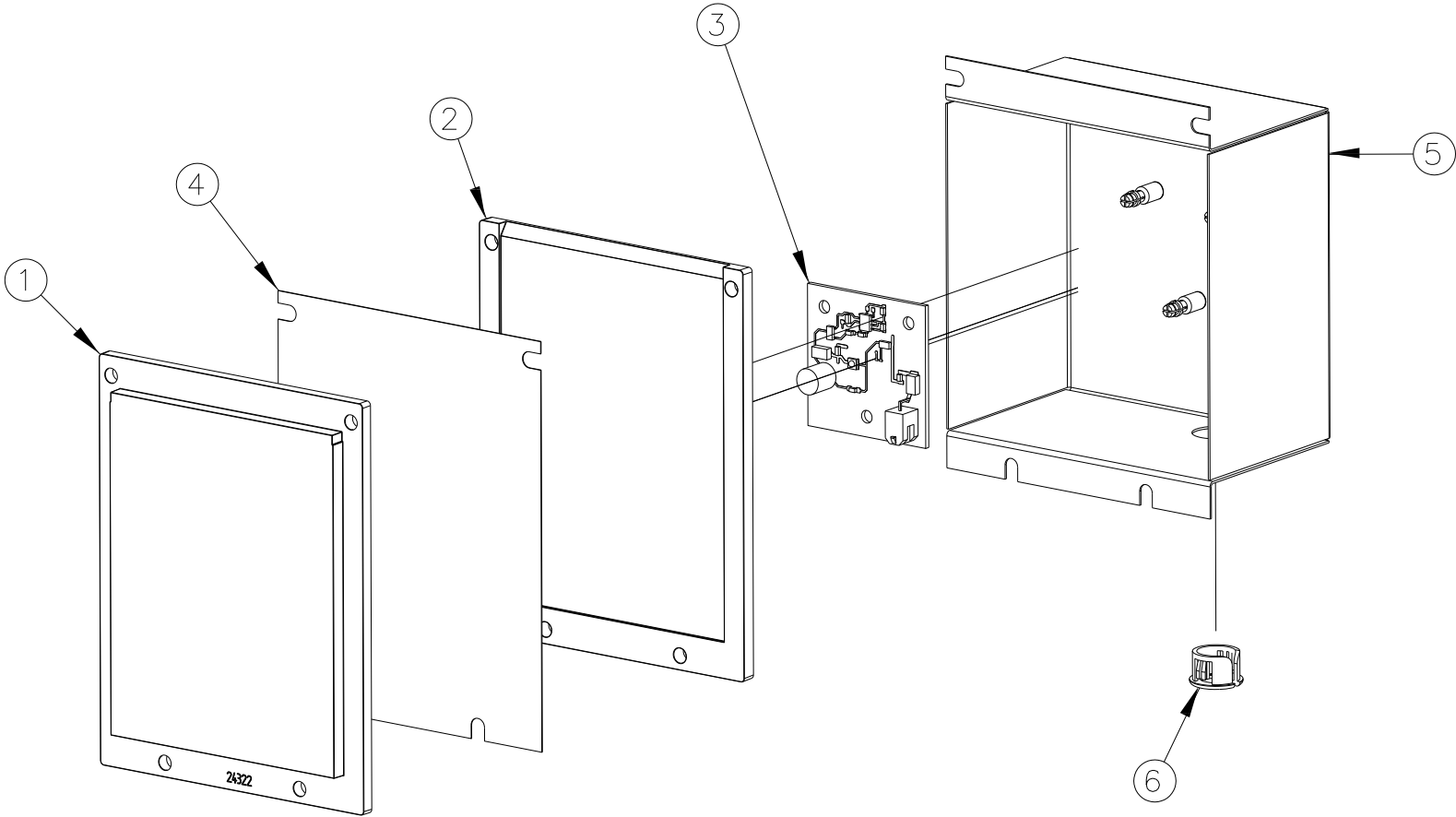
DOOR, STANDARD TRIM AND WINDOW COVER TRIM 35 & 39 12-16-13

DOOR WITH OPTIONAL TRIM AND FINISH PARTS LIST

ITEM	PART NO.	PART NAME	QTY.	NOTE
1	3000	Screw, Sheet metal, TEK 8-18	28	For Securing Trim
2	3172-02	Rivet, Aluminum, 1/4" Diameter, Natural (1/4" Grip)	15	For Securing Window Covers
3	-----	Window Cover, Polycarbonate (35"),	1	Contact AMS for your application
	-----	Window Cover, Polycarbonate (39"),		
4	21535-02	Trim, Plastic Insert, For Recessed Base (31.93") (35")	2	Snaps into Trim Base
	21535-01	Trim, Plastic Insert, For Recessed Base (37.25") (39")		
5	21535-03	Trim, Plastic Insert, For Recessed Base (65.38")	2	Snaps into Trim Base
6	21535-06	Trim, Plastic Insert, For Recessed Base (30.2")	1	Snaps into Trim Base
7	21535-07	Trim, Plastic Insert, For Recessed Base (29.4")	1	Snaps into Trim Base
8	21535-08	Trim, Plastic Insert, For Recessed Base (23.9") (35")	2	Snaps into Trim Base
	21535-15	Trim, Plastic Insert, For Recessed Base (29.68") (39")		
9	21612-02	Recessed Trim Base With Holes, Painted (35")	2	Black Paint Finish
	21612-01	Recessed Trim Base With Holes, Painted (39")		
10	21612-03	Recessed Trim Base With Holes, Painted	2	Black Paint Finish
11	21612-06	Recessed Trim Base With Holes, Painted	1	Black Paint Finish
12	21612-07	Recessed Trim Base With Holes, Painted	1	Black Paint Finish
13	21612-08	Recessed Trim Base With Holes, Painted (35")	2	Black Paint Finish
	21612-15	Recessed Trim Base With Holes, Painted (39")		
14	25080	Trim, Vend Eyelet	1	
15	25222	Assy., Foamed Door, Snack, Epoch (35")	1	Contact AMS for your application.
	25106	Assy., Foamed Door, Snack, Epoch-ADA (35")		
	25220	Assy., Foamed Door, Snack, Epoch (39")		
	25083	Assy., Foamed Door, Snack, Epoch-ADA (39")		
16	23372	Trim, Plastic Coin Cup	1	

Note: Trim Packages, Window Cover Packages and other options contracted for and installed at AMS may not apply to your vendor.

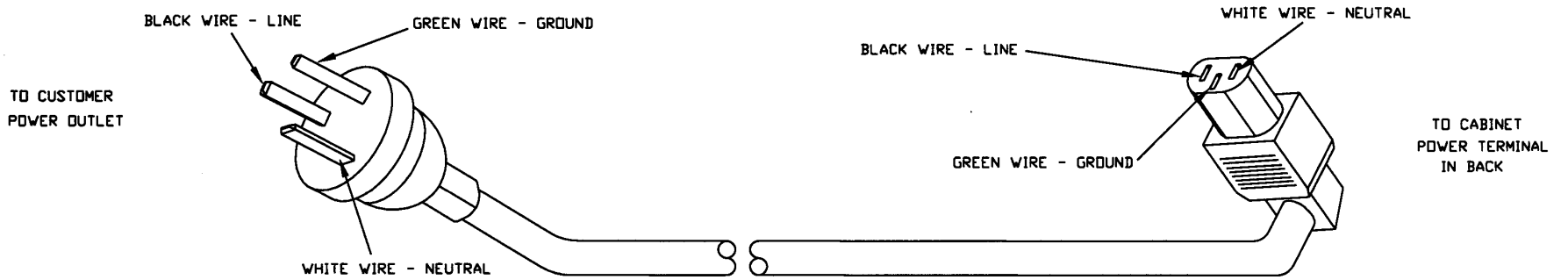
POS DISPLAY ILLUSTRATION



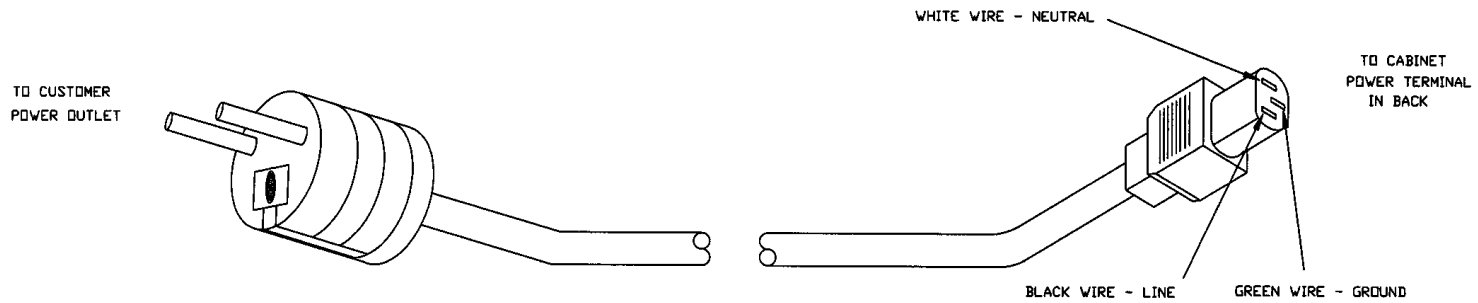
POS DISPLAY ILLUSTRATIO

POS DISPLAY PARTS LIST			
ITEM	PART NO.	PART DESCRIPTION	NOTE
1	24322	POS DISPLAY INSERT	
2	24323	POS DISPLAY DIFFUSER	
3	24329	LED BOARD	
4	24767	POS DISPLAY CARD (AMS)	ENGLISH
	24768	POS DISPLAY CARD (IAMS)	SPANISH
5	24339	LIGHT BOX ASSEMBLY	
6	3029-02	BUSHING	

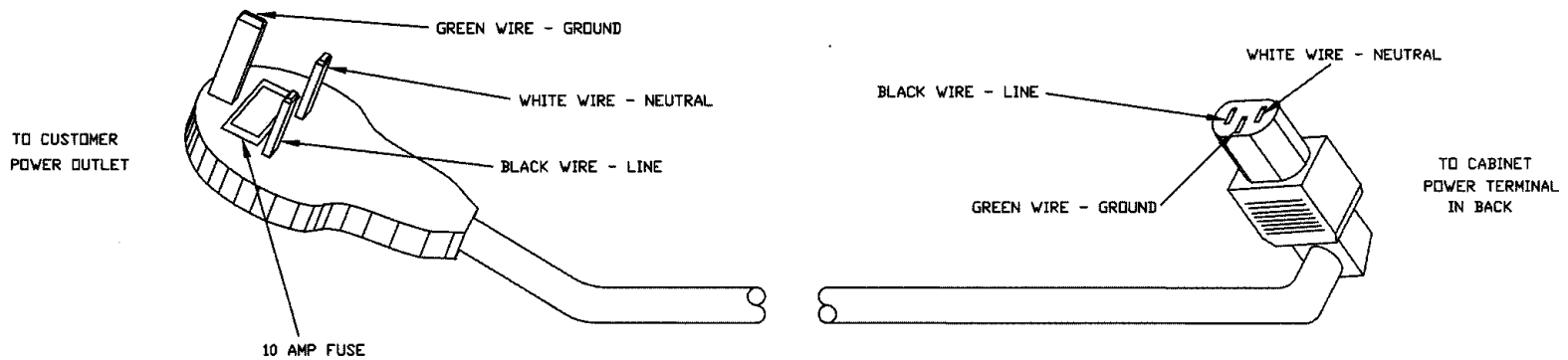
ELECTRICAL HARNESS ILLUSTRATIONS



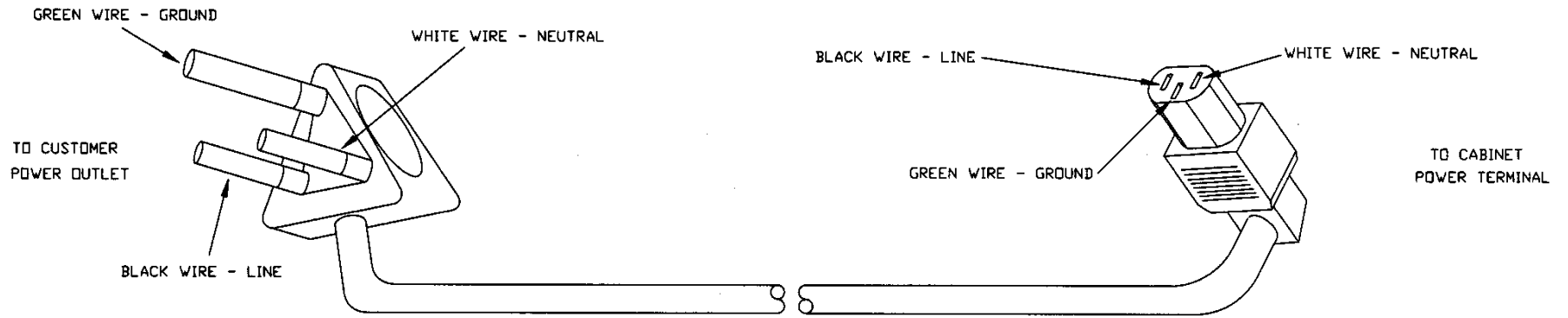
3173, POWER CORD, AUSTRALIA



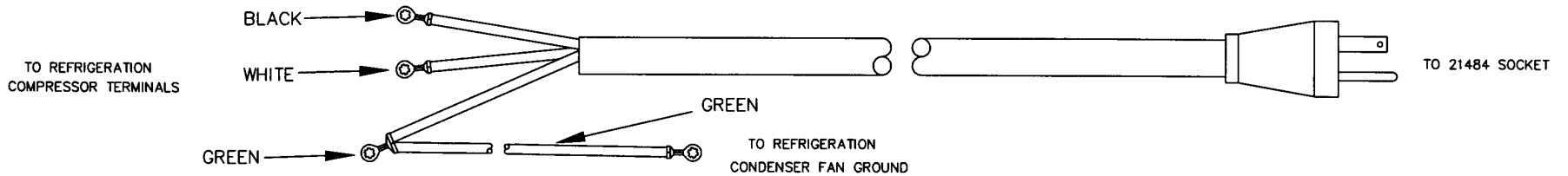
3193, POWER CORD, CONTINENTAL EUROPE



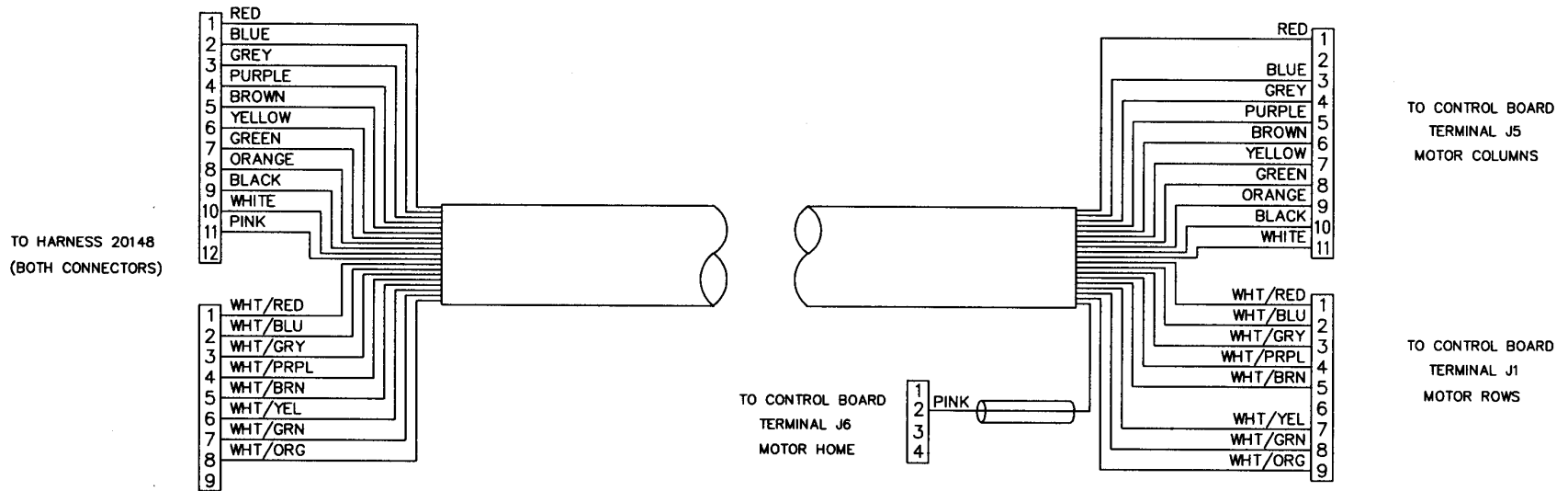
3194, POWER CORD, U.K. & IRELAND



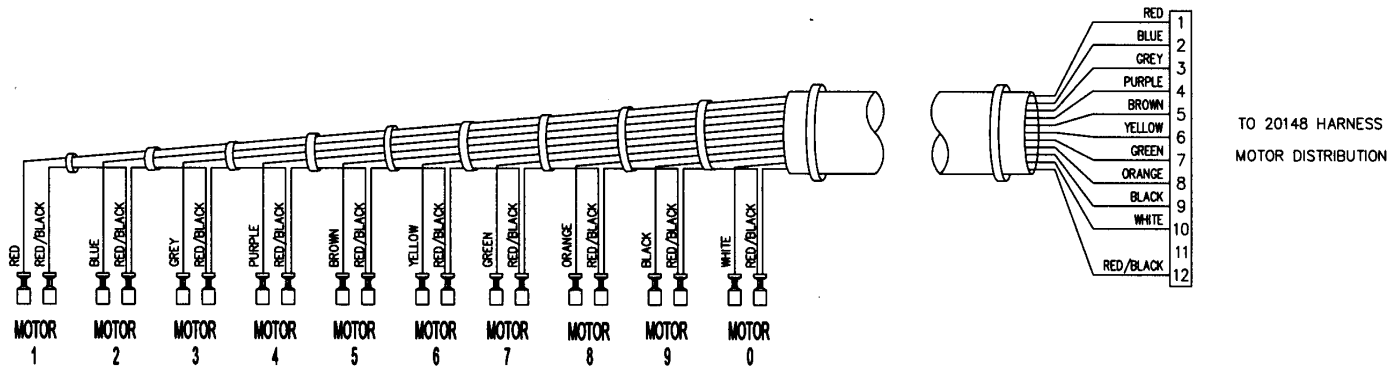
3208 POWER CORD, INDIA AND SOUTH AFRICA



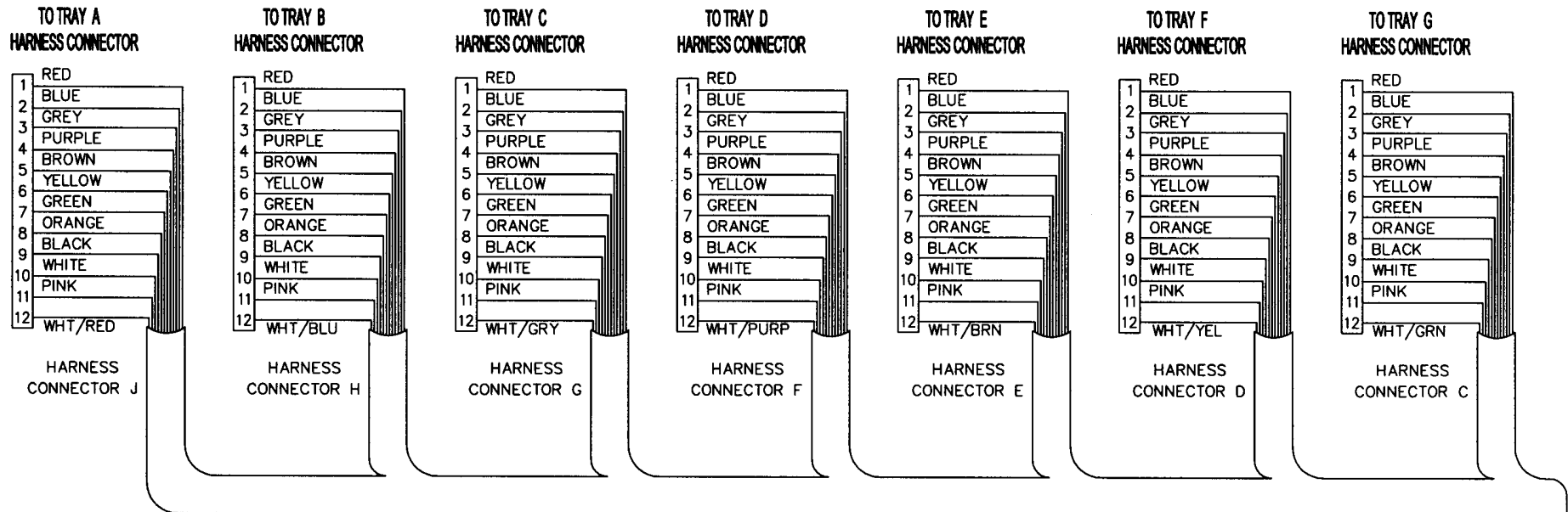
20144, HARNESS, REFRIGERATION



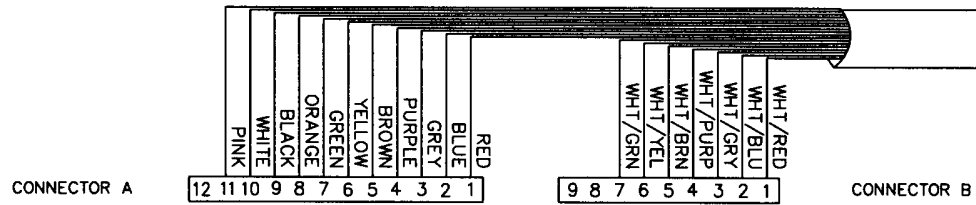
20146, HARNESS, DOOR MOTORS



20147, HARNESS, TRAY, 10 COLUMN

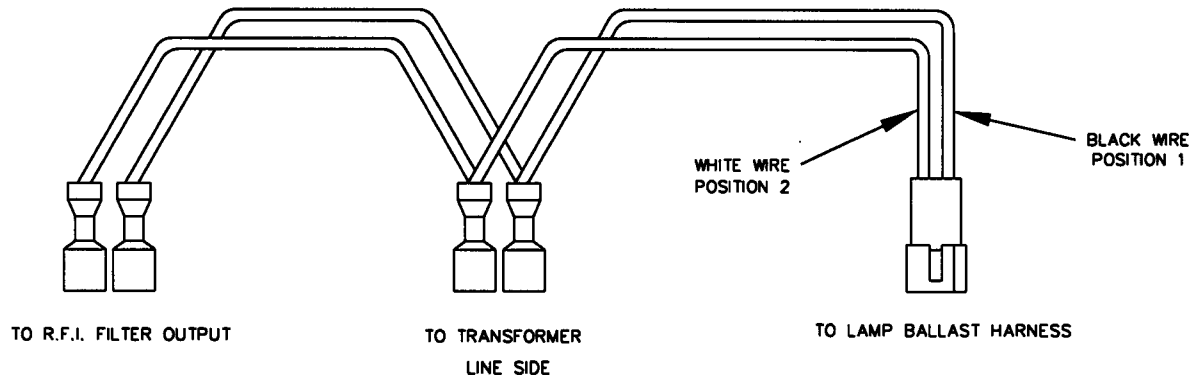


(CONNECTOR A IS JUMPERED TO ALL CONNECTORS TO TRAYS, PINS 1 -11)

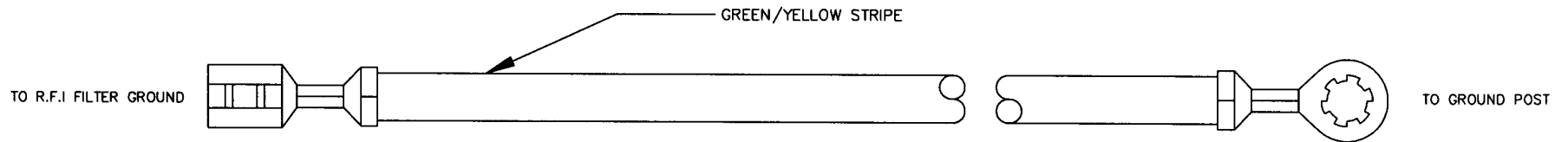


CONNECTOR A AND B TO 20146 HARNESS, DOOR MOTOR

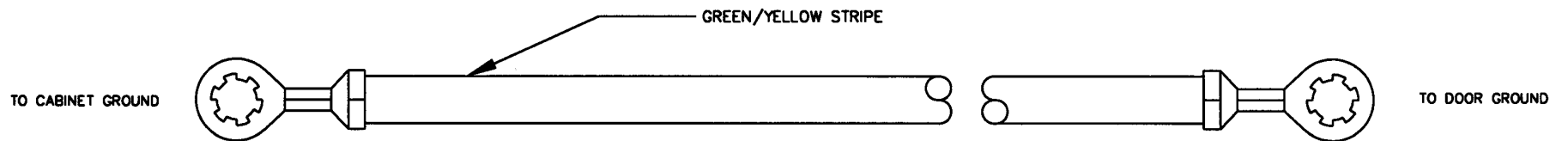
20148, HARNESS, MOTOR DISTRIBUTION



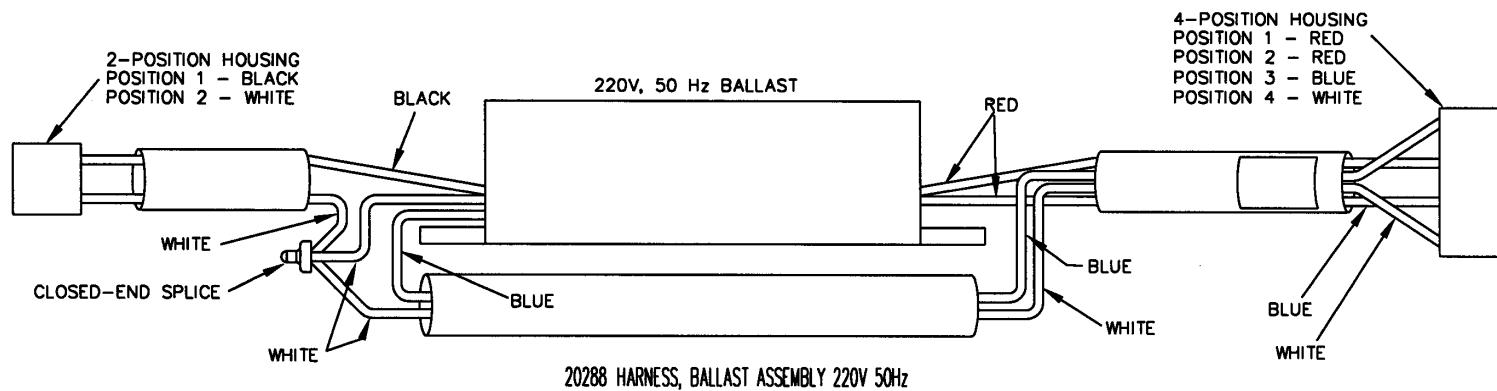
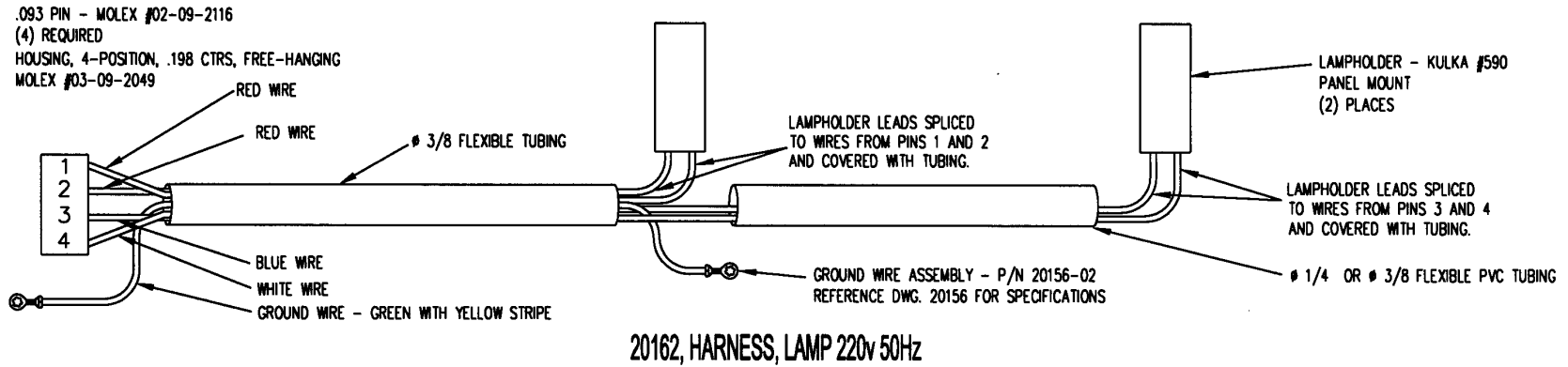
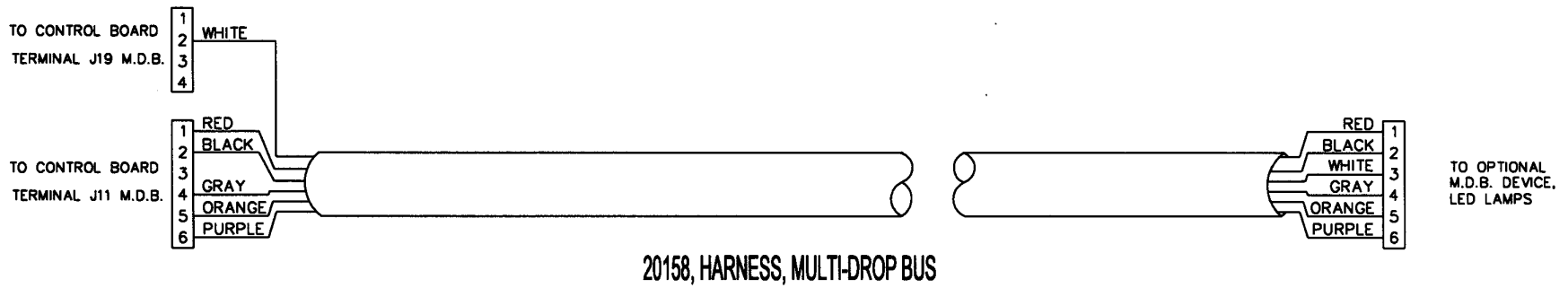
20149, HARNESS, BALLAST/TRANSFORMER LINE

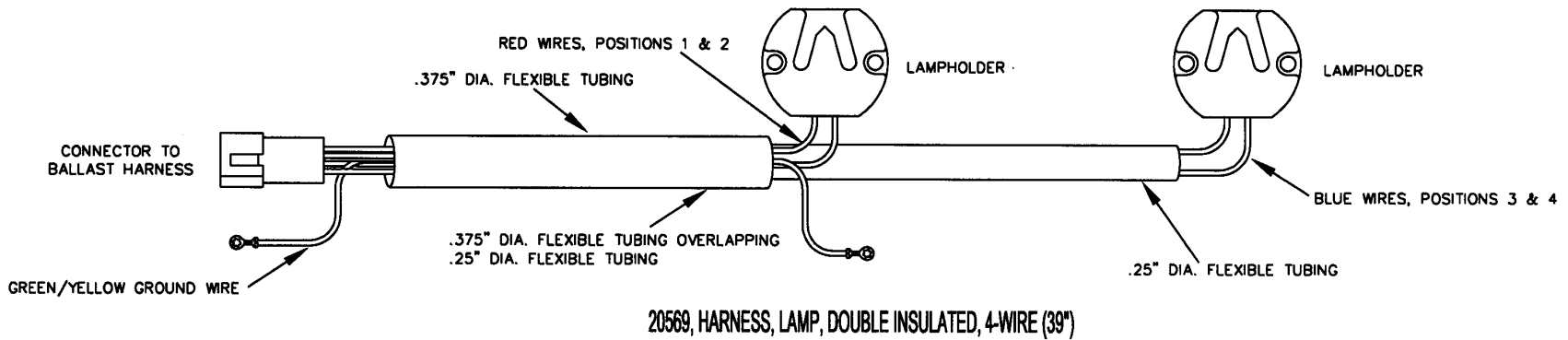
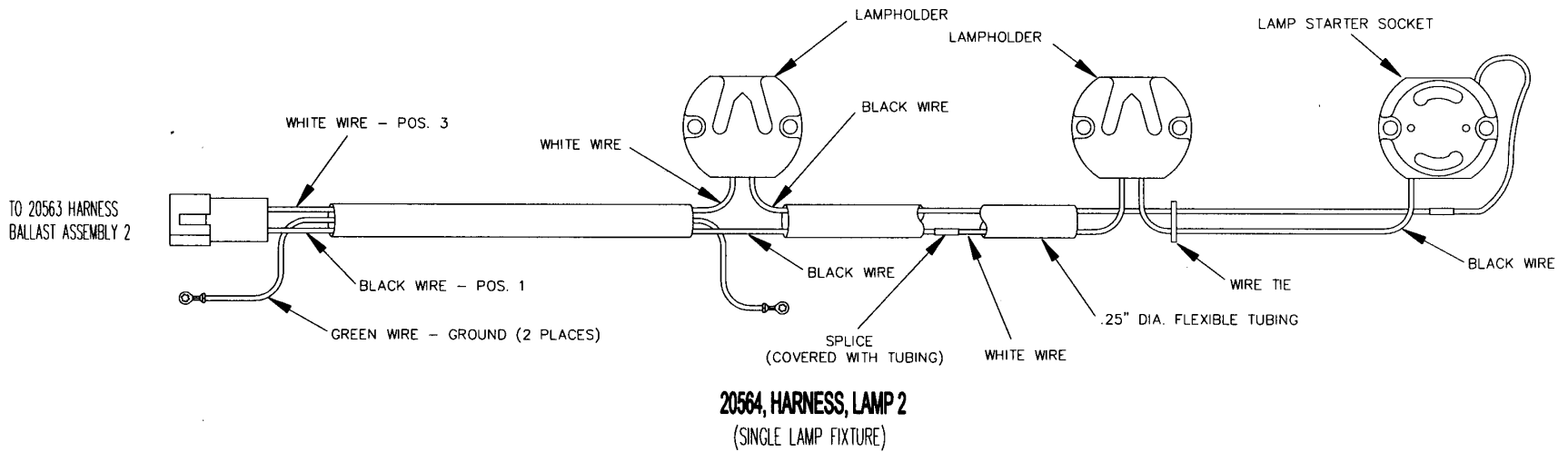
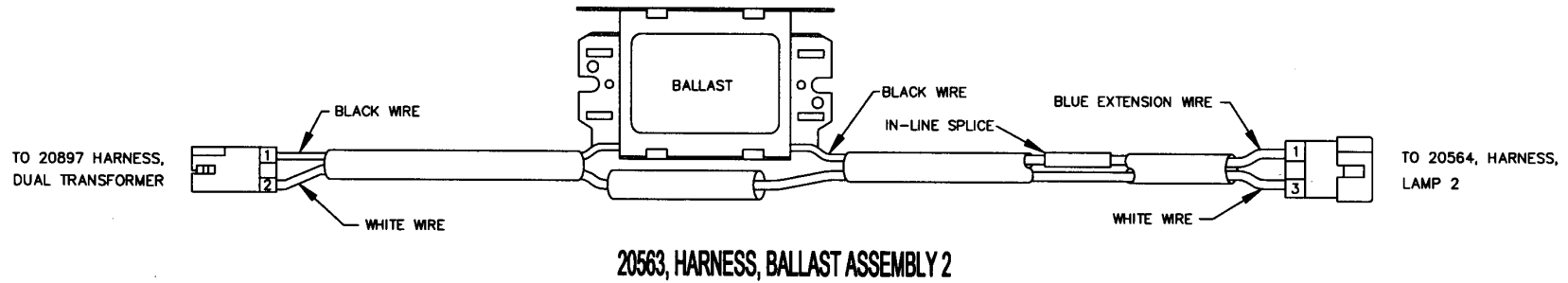


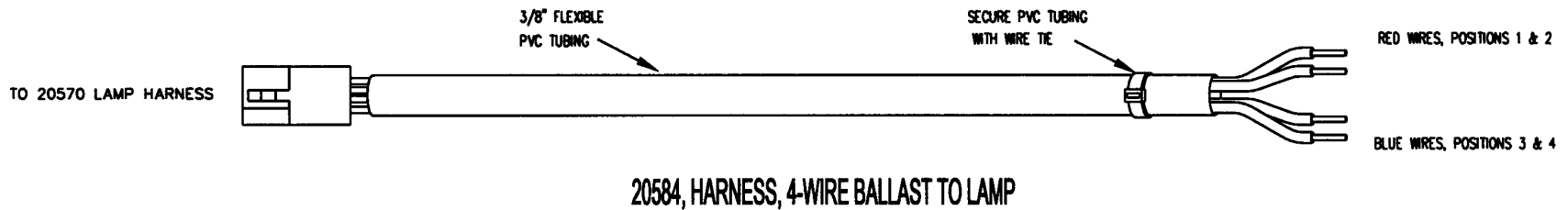
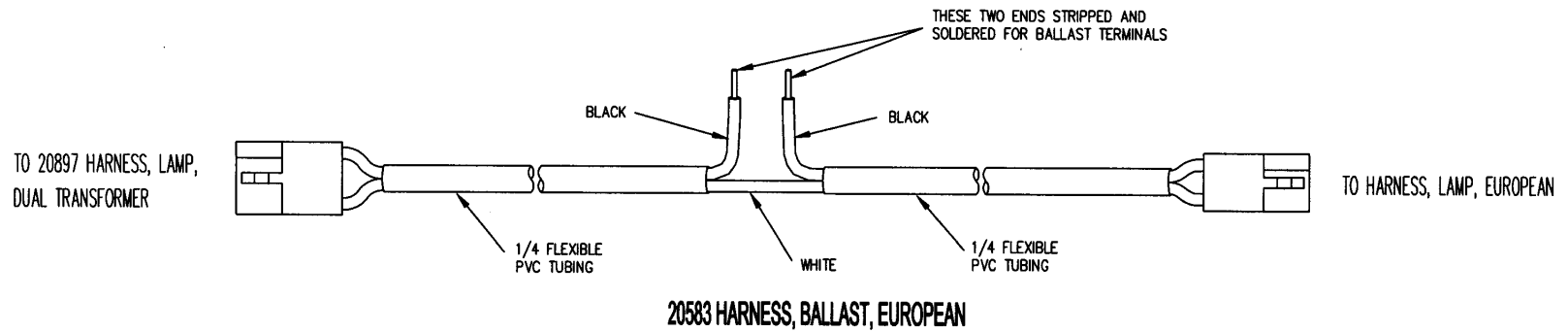
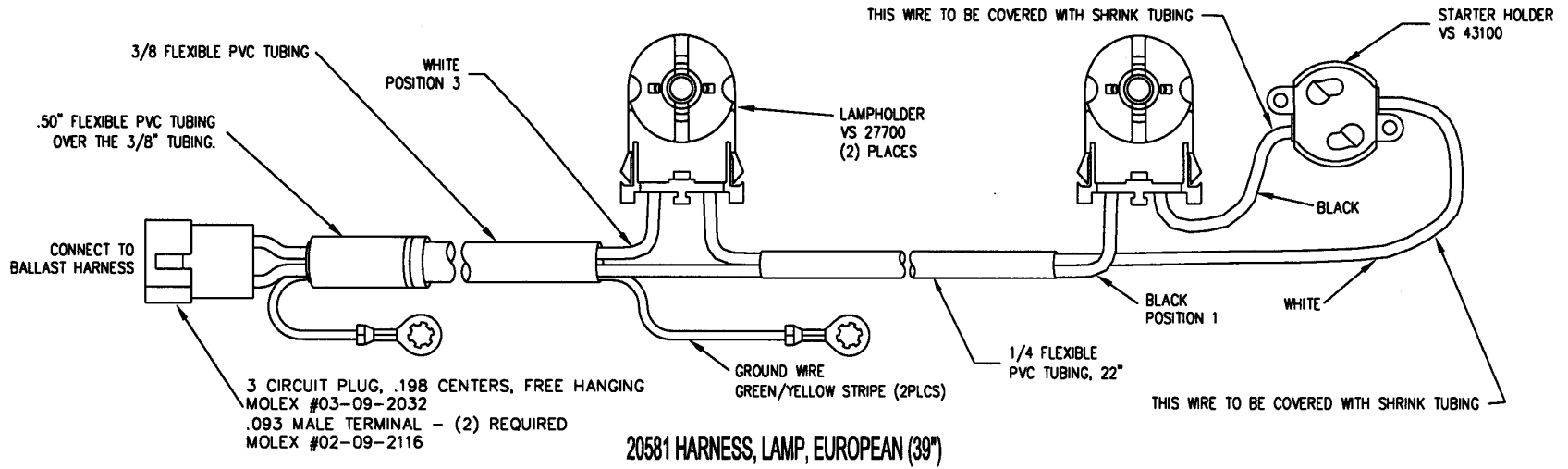
20154, HARNESS, R.F.I. FILTER GROUND

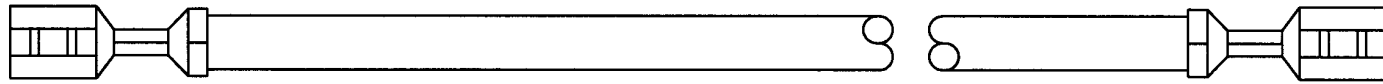
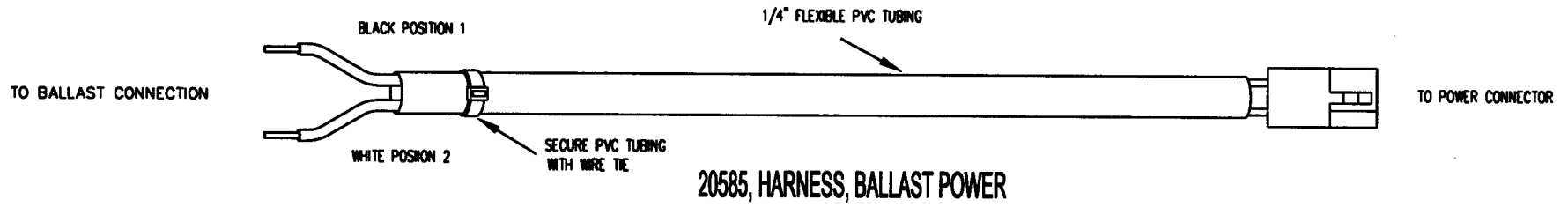


20156-01, HARNESS, GROUND

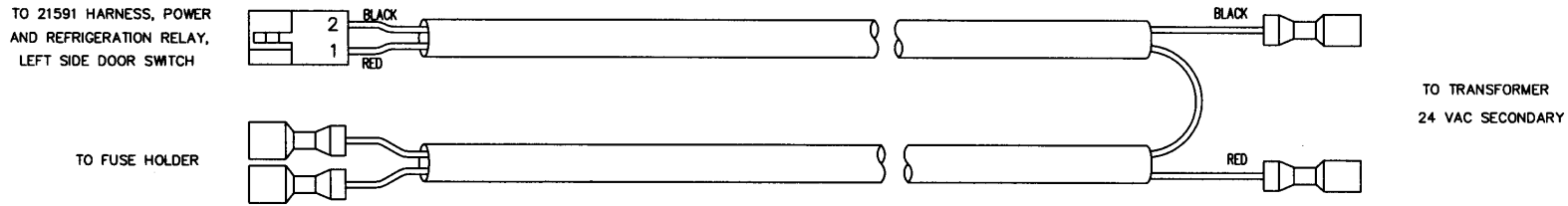




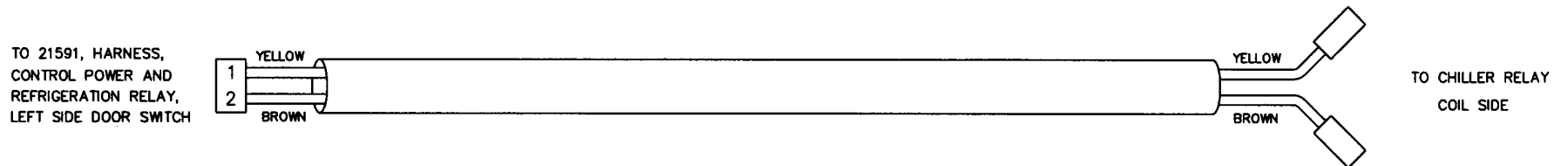




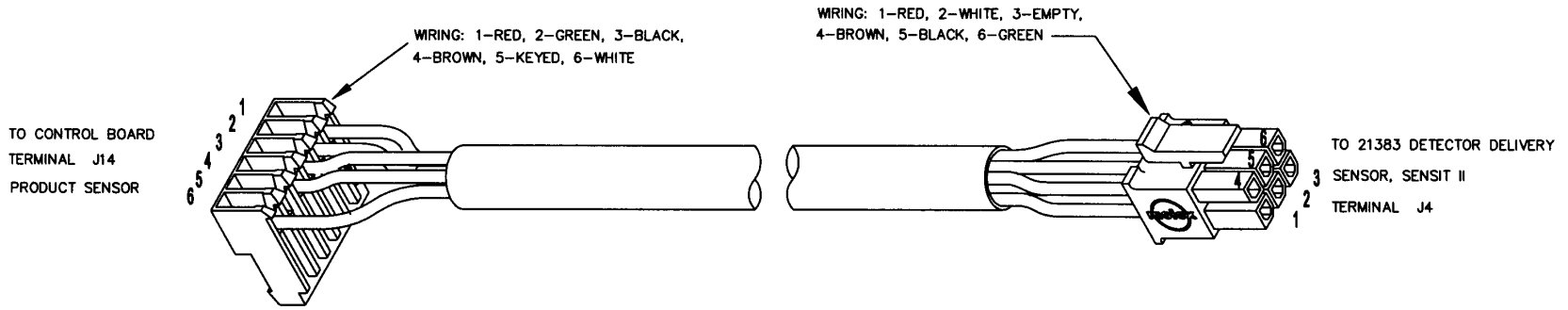
20648 JUMPER WIRE, 18 AWG X 3', FEMALE / FEMALE



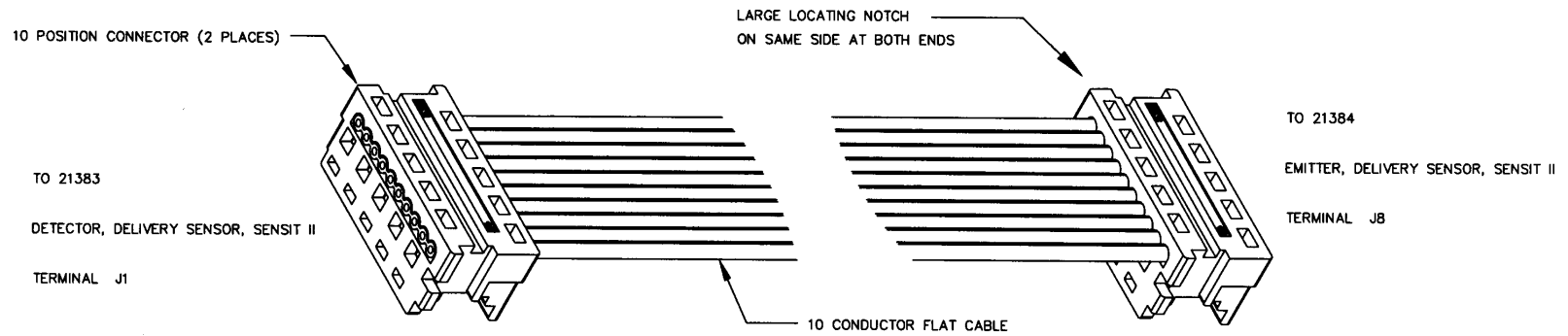
20701, HARNESS, TRANSFORMER AND FUSE



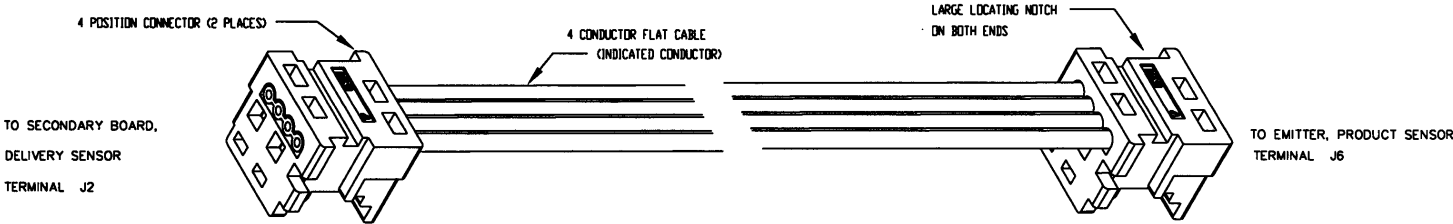
21405, HARNESS, REFRIGERATION RELAY, T9A SERIES



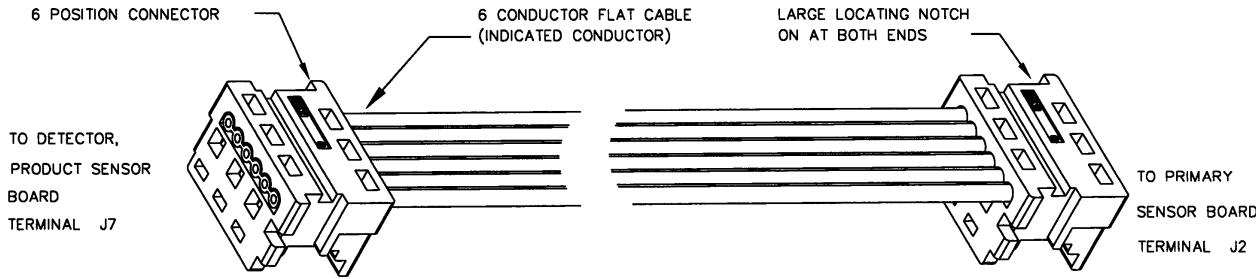
21425 HARNESS, DELIVERY SENSOR DETECTOR/CONTROL, SENSIT II



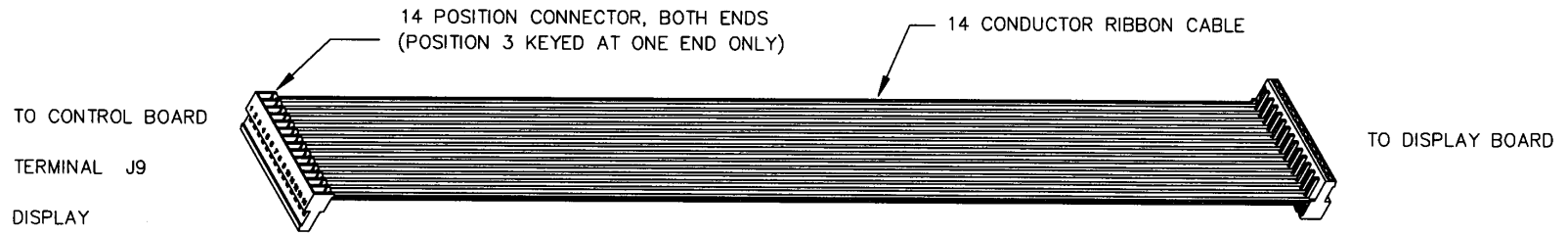
21426 HARNESS, DELIVERY SENSOR DETECTOR/EMITTER, SENSIT II



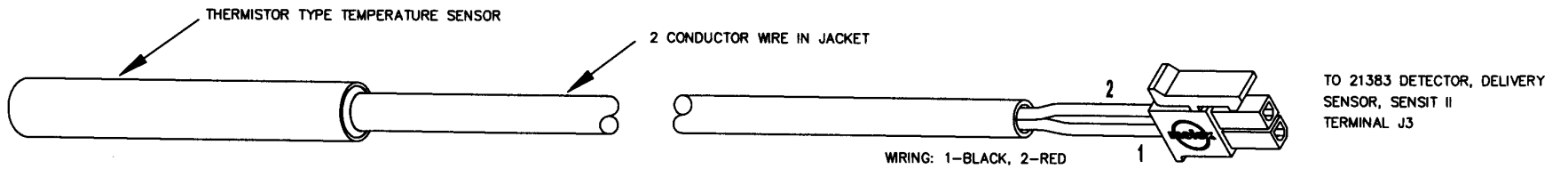
21427 HARNESS, PRODUCT SENSOR EMITTER, (OPTIONAL)



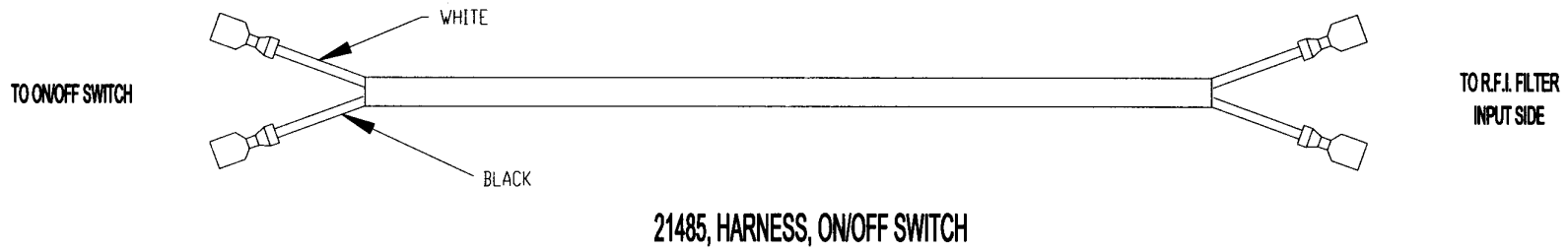
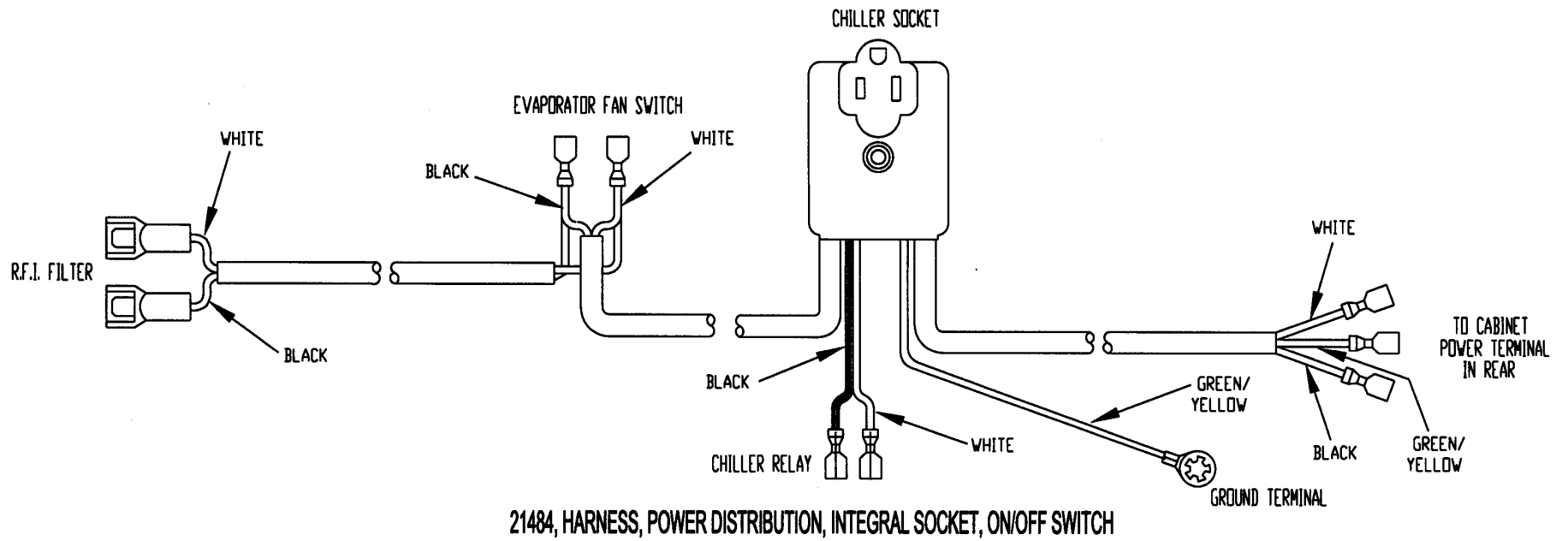
21428, HARNESS, PRODUCT SENSOR DETECTOR (OPTIONAL)

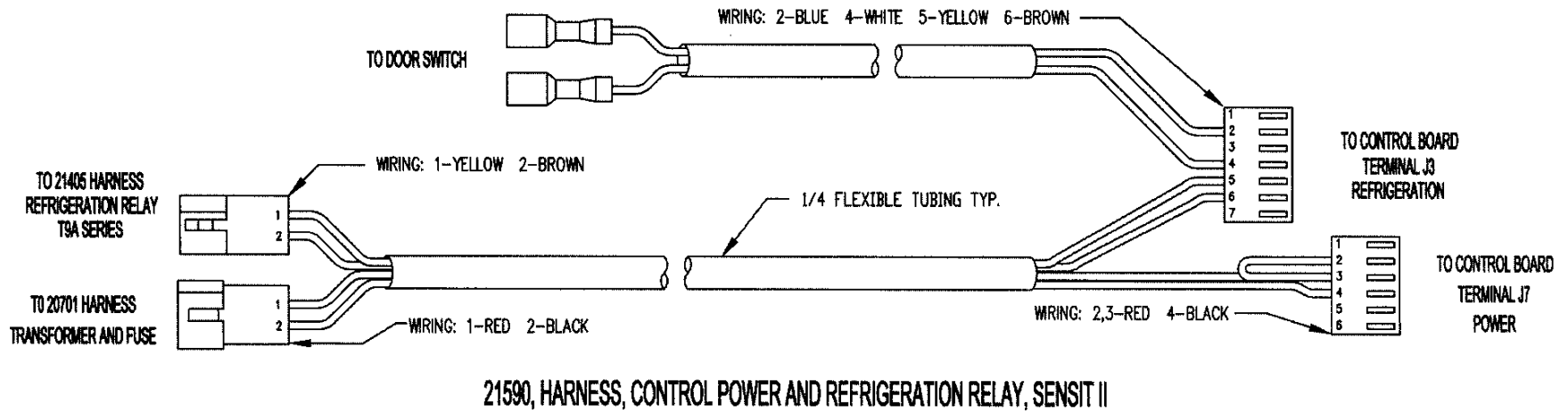
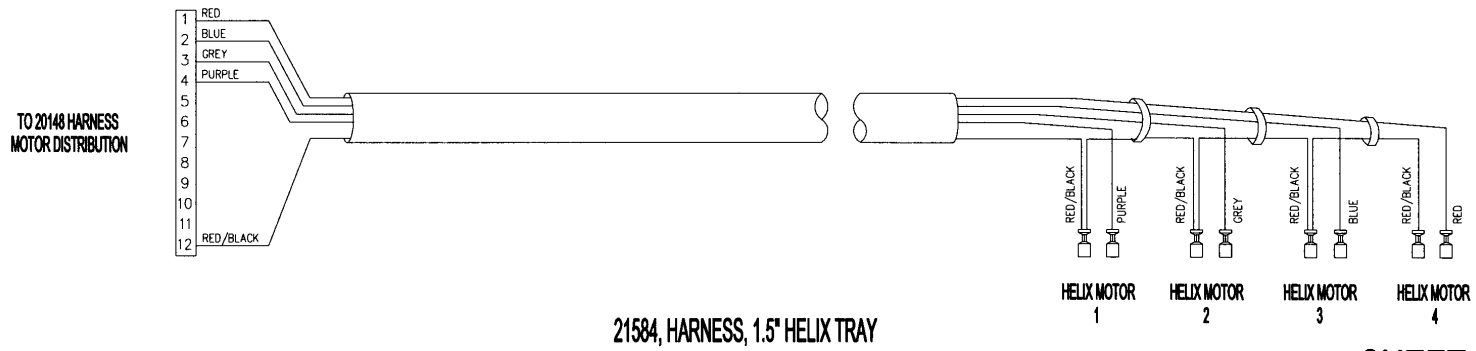


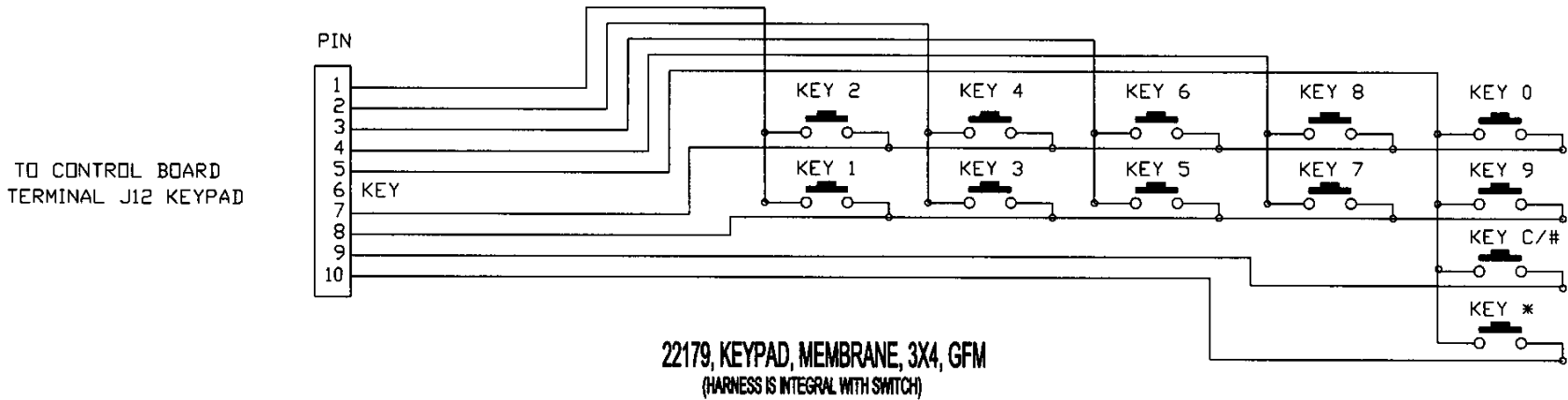
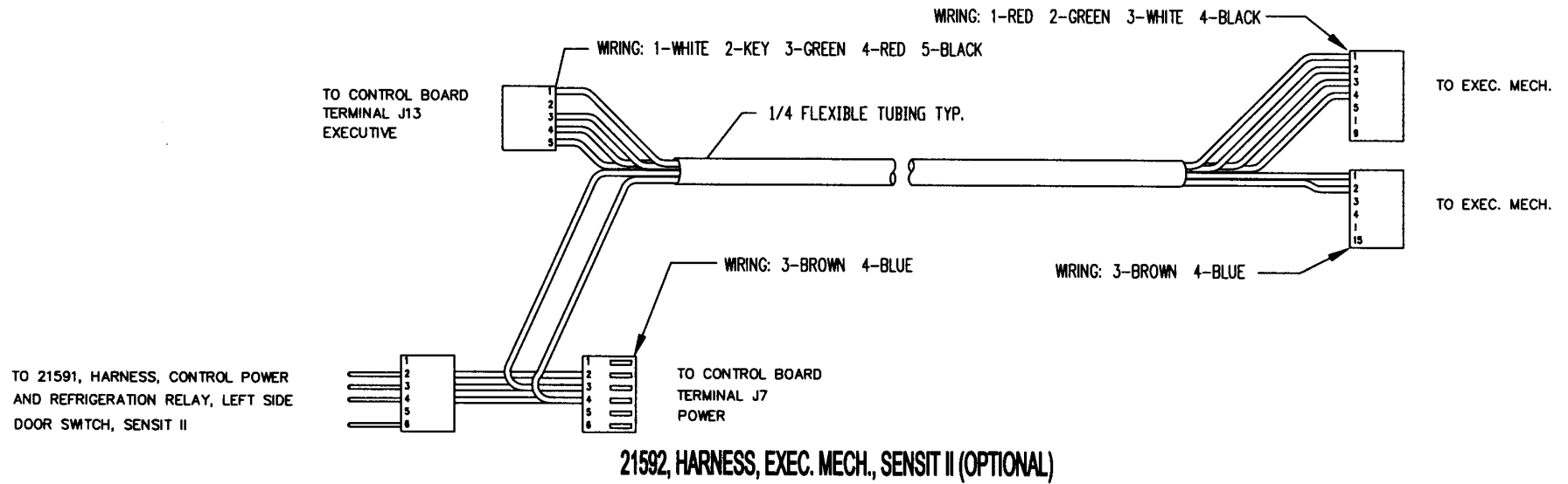
21432 HARNESS, DISPLAY, SENSIT II

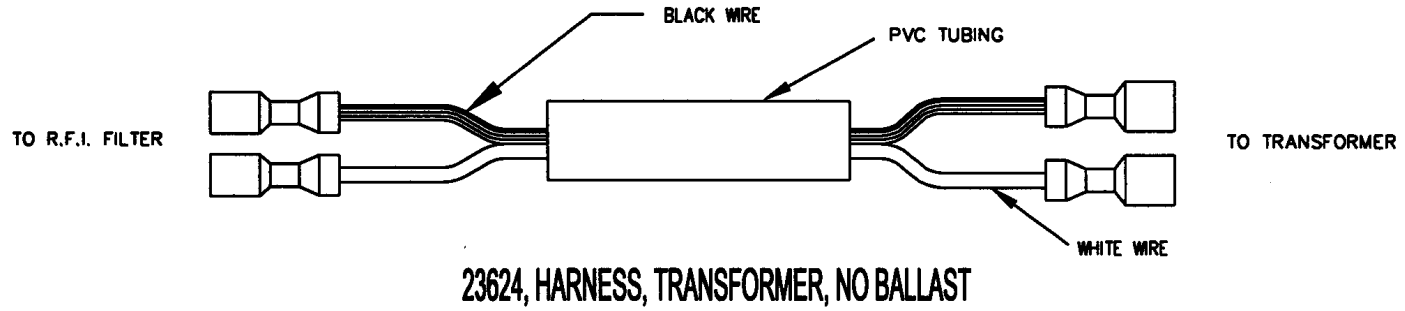
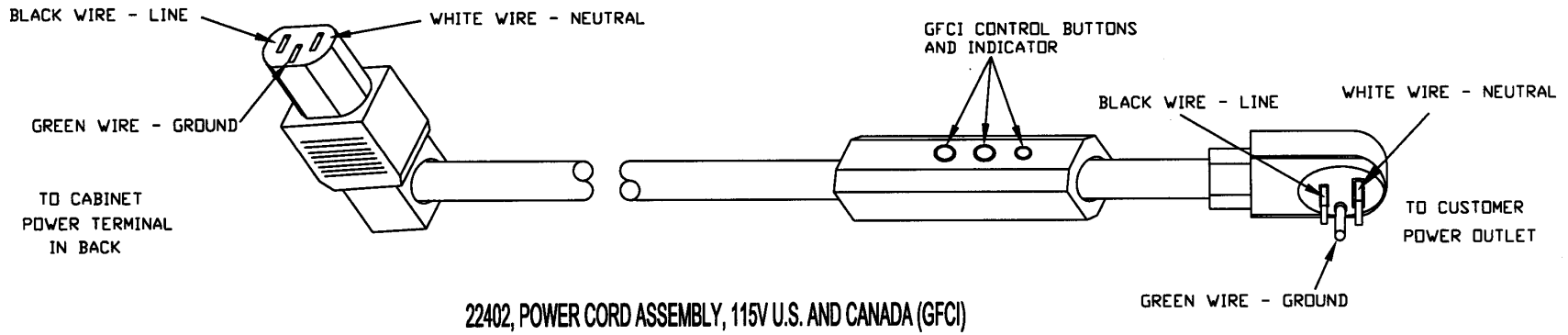


21468 TEMPERATURE SENSOR, SENSIT II







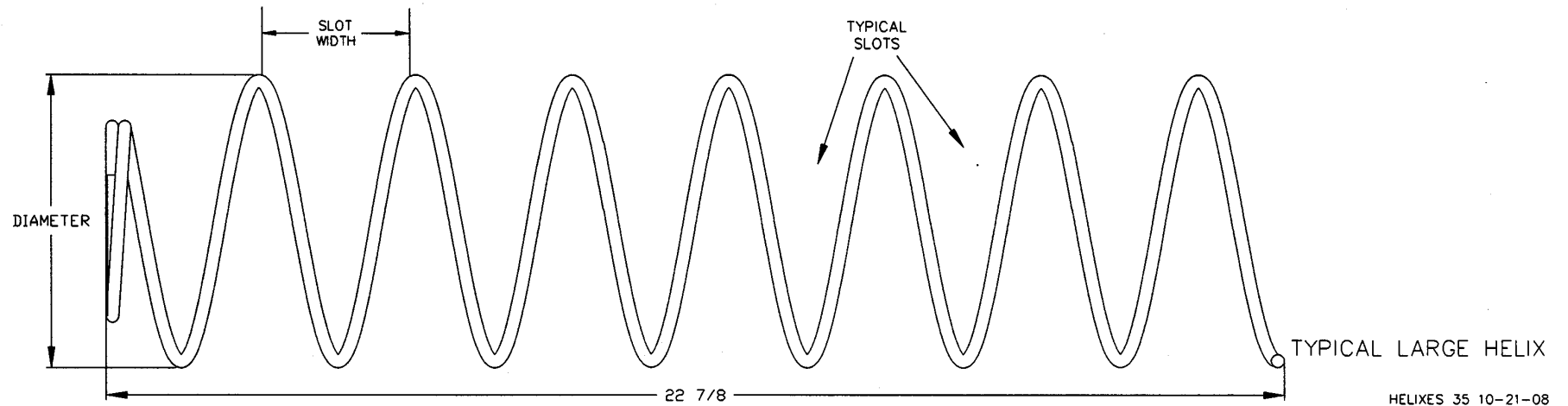
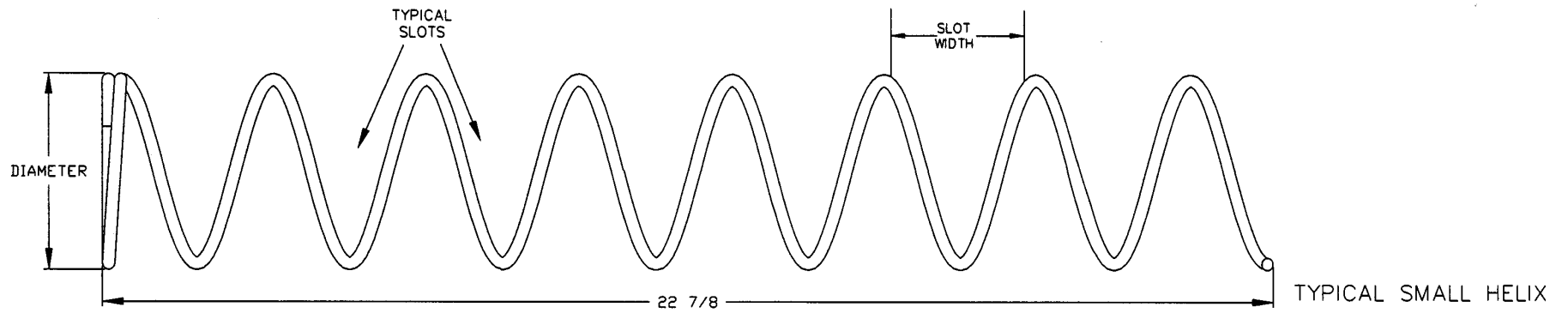
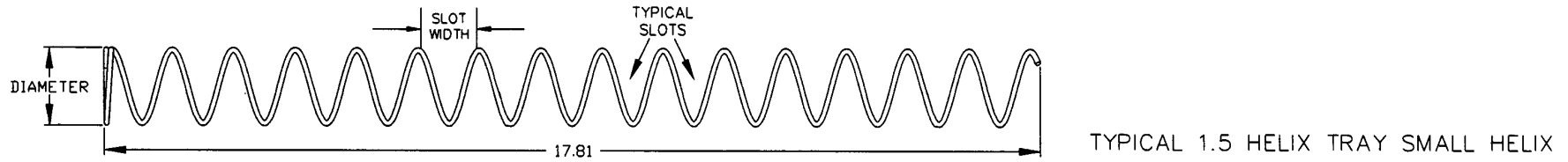


ELECTRICAL HARNESS PARTS LIST			
PART NO.	PART DESCRIPTION	QTY	NOTES
3173	Power Cord, Australia	1	
3193	Power Cord, Continental Europe	1	
3194	Power Cord, U.K. and Ireland	1	
3208	Power Cord, India and South Africa		
20142	Power Cord Assembly, 115V Domestic		Use for Mexico
20144	Harness, Refrigeration	1	For Chiller Power
20146	Harness, Door Motors	1	
20147	Harness, Tray, 10 Column	1	Use For 5 Column Tray
20148	Harness, Motor Distribution	1	
20149	Harness, Ballast/Transformer Line	1	
20154	Harness, R.F.I. Filter Ground	1	
20156-01	Harness, Ground	1	
20158	Harness, Multi-Drop Bus	1	Use For Both SII and S3
20162	Harness, Lamp 220V 50Hz	1	Use for Israel and South Africa
20288	Harness, Ballast Assembly, 220V, 50Hz		Single Lamp Option, 220V
20563	Harness, Ballast, Assembly 2	1	Single Lamp Option, 110V
20564	Harness, Lamp 2		Single Lamp Option, 110V
20569	Harness, Lamp, Double Insulated 4-Wire (39")	1	Australia 240V Single
20581	Harness, Lamp European (39")	1	For Single Lamp 220V
20583	Harness, Ballast, European	1	For Single Lamp 220V, (See Ballast, P/N 3158).
20584	Harness, 4-Wire Ballast to Lamp	1	Australia 240V Single
20585	Harness, Ballast Power	1	Australia 240V Single
20648	Jumper Wire	2	Australia 240V Single
20701	Harness, Transformer and Fuse	1	
21405	Harness, Refrigeration Relay T9A	1	
21425	Harness, Delivery Sensor Detector/Control, Sensit II	1	Primary to Control Board
21426	Harness, Delivery Sensor Detector/Emitter, Sensit II	1	Secondary to Primary Board
21427	Harness, Product Sensor Emitter, Sensit II (Optional)	1	Secondary to Emitter Board
21428	Harness, Product Sensor Detector, Sensit II (Optional)	1	Primary to Detector Board
24338	Lighted POS Power Harness	1	
21432	Harness, Display, Sensit II	1	
21468	Temperature Sensor, and Harness, Sensit II	1	Integral to Sensor, for Chiller
21484	Harness, Power Distribution, Integral Socket	1	
21485	Harness, On/Off Switch	1	

21584	Harness, 1.5" Helix Tray	1	
21590	Harness, Control Power & Refrigeration Relay, Sensit II	1	
21592	Harness, Executive Mech Connector, Sensit II	1	
22179	Keypad Membrane, 3X4, GFM	1	Harness is Integral With Keypad
22402	Power Cord Assembly, 115, US and Canada	1	With GFCI, Use in U.S. and Canada
23624	Harness, Transformer, No Ballast	1	Use with LED Lighting

Note: Some assemblies, such as the keypad, are fabricated with the harness as a unit. These are replaceable only as a unit.
Some harness assemblies listed above are for options which may not have been contracted for and installed by AMS.

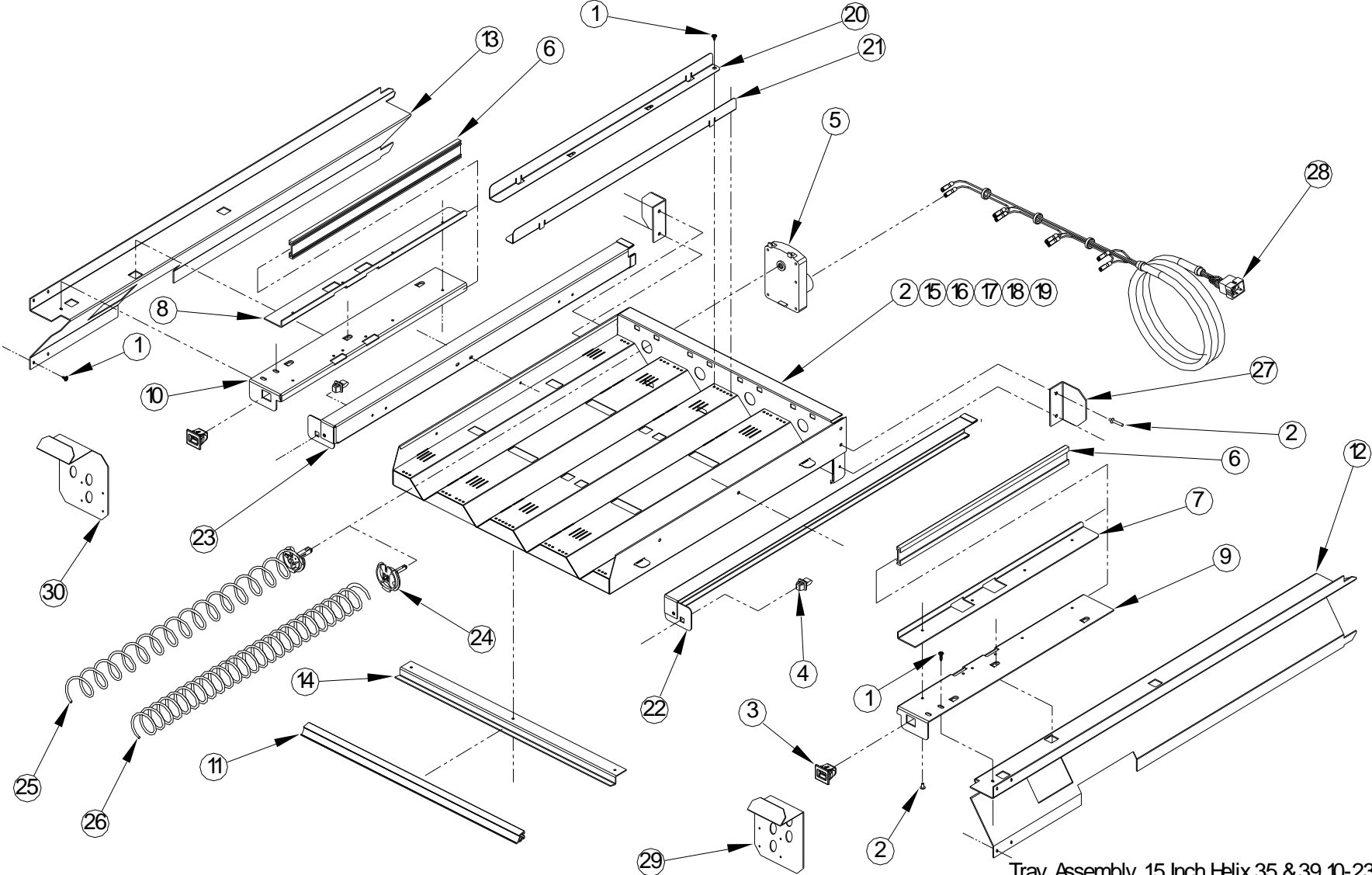
HELIX ILLUSTRATIONS



HELIX PARTS LIST							
PART NO.	HELIX DESCRIPTION *	SLOT (VEND) WIDTH	NUMBER OF SLOTS (PITCH)	HELIX OUTSIDE DIAMETER	TURNS	QTY PER COLUMN	NOTE
20119-07	Helix, Small CW, Black	2 5/8	7	2.6	CW	1 Set	Use With 20120-07 As A Set
20120-07	Helix, Small CCW, Black	2 5/8	7	2.6	CCW	1 Set	
20119-10	Helix, Small CW, Black	1 7/8	10	2.6	CW	1 Set	Use With 20120-10 As A Set
20120-10	Helix, Small CCW, Black	1 7/8	10	2.6	CCW	1 Set	
20120-12	Helix, Small CCW, Black	1 7/8	12	2.6	CCW	1	
20120-15	Helix, Small CCW, Black	1 7/8	15	2.6	CCW	1	
20120-18	Helix, Small CCW, Black	1 7/8	18	2.6	CCW	1	
20120-24	Helix, Small CCW, Black	1 7/8	24	2.6	CCW	1	
21207-15	Helix, 1.5", CCW, Black	1	15	1.5	CCW	1	Use in 1.5" Helix Tray
21207-25	Helix, 1.5", CCW, Black	9/16	25	1.5	CCW	1	Use in 1.5" Helix Tray
21336	Helix, 3", CCW, Black	3.5	6	3	CCW	1	Bottle Tray
21337	Helix, 3", CCW, Black	3.2	6	3	CCW	1	Bottle Tray
21465-05	Helix, 3.75" CCW, Black	3 ¼	5	3.75	CCW	1	Large Diameter
21465-07	Helix, 3.75" CCW, Black	2 5/8	7	3.75	CCW	1	Large Diameter
21465-09	Helix, 3.75" CCW, Black	2	9	3.75	CCW	1	Large Diameter
21465-10	Helix, 3.75" CCW, Black	1 ¾	10	3.75	CCW	1	Large Diameter
21465-12	Helix, 3.75" CCW, Black	1 ½	12	3.75	CCW	1	Large Diameter
21465-15	Helix, 3.75" CCW, Black	1 ¼	15	3.75	CCW	1	Large Diameter

Contact your distributor for special helix diameters and pitch.
Contact AMS for your application.

1.5" HELIX TRAY ILLUSTRATION

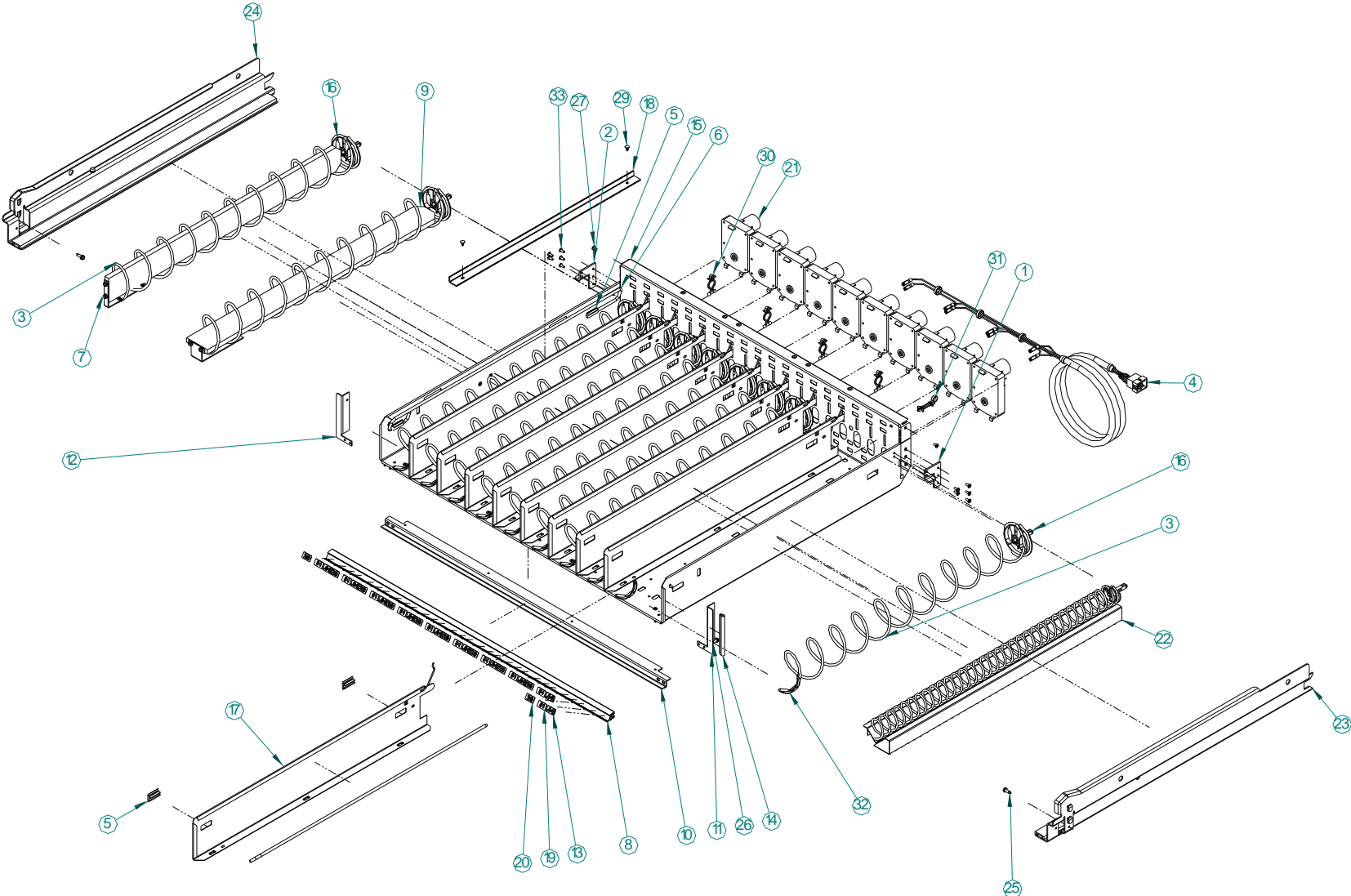


Tray, Assembly, 15 Inch Helix 35 & 39 10-23-08

1.5" HELIX TRAY PARTS LIST				
ITEM NO	PART NO.	PART NAME	QTY	NOTES
1	3000	Screw, TEK 8-18	18	
2	3009-02	Rivet, Pop, Steel, 1/8	34	
3	3246	Latch, Nylon, Gum and Mint	2	
4	3247	Strike, Nylon, Gum and Mint	2	
5	23007	Motor, Single Helix	4	
6	20236	Extrusion, Gum and Mint Rail	2	
7	20237	Extrusion Mount, Upper (Gum and Mint)(Right Side)	1	
8	20237-01	Extrusion Mount, Upper (Gum and Mint)(Left Side)	1	
9	20238	Extrusion Mount, Lower (Gum and Mint)(Right Side)	1	
10	20238-01	Extrusion Mount, Lower (Gum and Mint)(Left Side)	1	
11	20465-04	Extrusion, Price Marker, Reduced Height	1	
12	21046	Rail, Gum and Mint, Reduced Depth (35")(Right Side)	1	Rails To Fit Tray To 35" Cabinet
	20973	Rail, Gum and Mint, Reduced Depth (39")(Right Side)		Rails To Fit Tray To 39" Cabinet
13	21046-01	Rail, Gum and Mint, Reduced Depth (35")(Left Side)	1	Rails To Fit Tray To 35" Cabinet
	20973-01	Rail, Gum and Mint, Reduced Depth (39")(Left Side)		Rails To Fit Tray To 39" Cabinet
14	21196	Doubler, Tray 1.5" Helix Tray	1	
15	21197	Tray Body, 1.5" Helix Tray	1	Parts Are Factory Assembled As A Unit
16	21199	Tray Back, 1.5" Helix Tray	1	
17	21200	Tray Inner Side, 1.5" Helix Tray	2	
18	21201	Tray Inner Section, 1.5" Helix Tray	2	
19	21202	Tray Inner Mid Section, 1.5" Helix Tray	1	
20	21203	Divider, Tray, 1.5" Helix Tray, RH	4	
21	21203-01	Divider, Tray, 1.5" Helix Tray, LH	4	
22	21204	Tray Slide Channel, 1.5" Helix Tray, RH	1	
23	21204-01	Tray Slide Channel, 1.5" Helix Tray, LH	1	
24	21206	Helix Adapter, 1.5" Helix Tray	4	
25	21207-15	Helix, 1.5" Tray, Counterclockwise, Black	2	Tray is Equipped With Two of Each
26	21207-25	Helix, 1.5" Tray, Counterclockwise, Black	2	
27	21523	Bracket, Stop, 1.5" Helix Tray	2	
28	21584	Harness, 1.5" Helix Tray	1	
29	22387	Deflector, 1.5" Helix Tray, RH (39")		Use When 1.5" Tray Is Installed
30	22387-01	Deflector, 1.5" Helix Tray, LH, (39")		Use When 1.5" Tray Is Installed

***Tray also comes in scrolling price option. Contact your distributor for details.

UNIVERSAL (SNACK/CANDY/FOOD) TRAY ILLUSTRATION



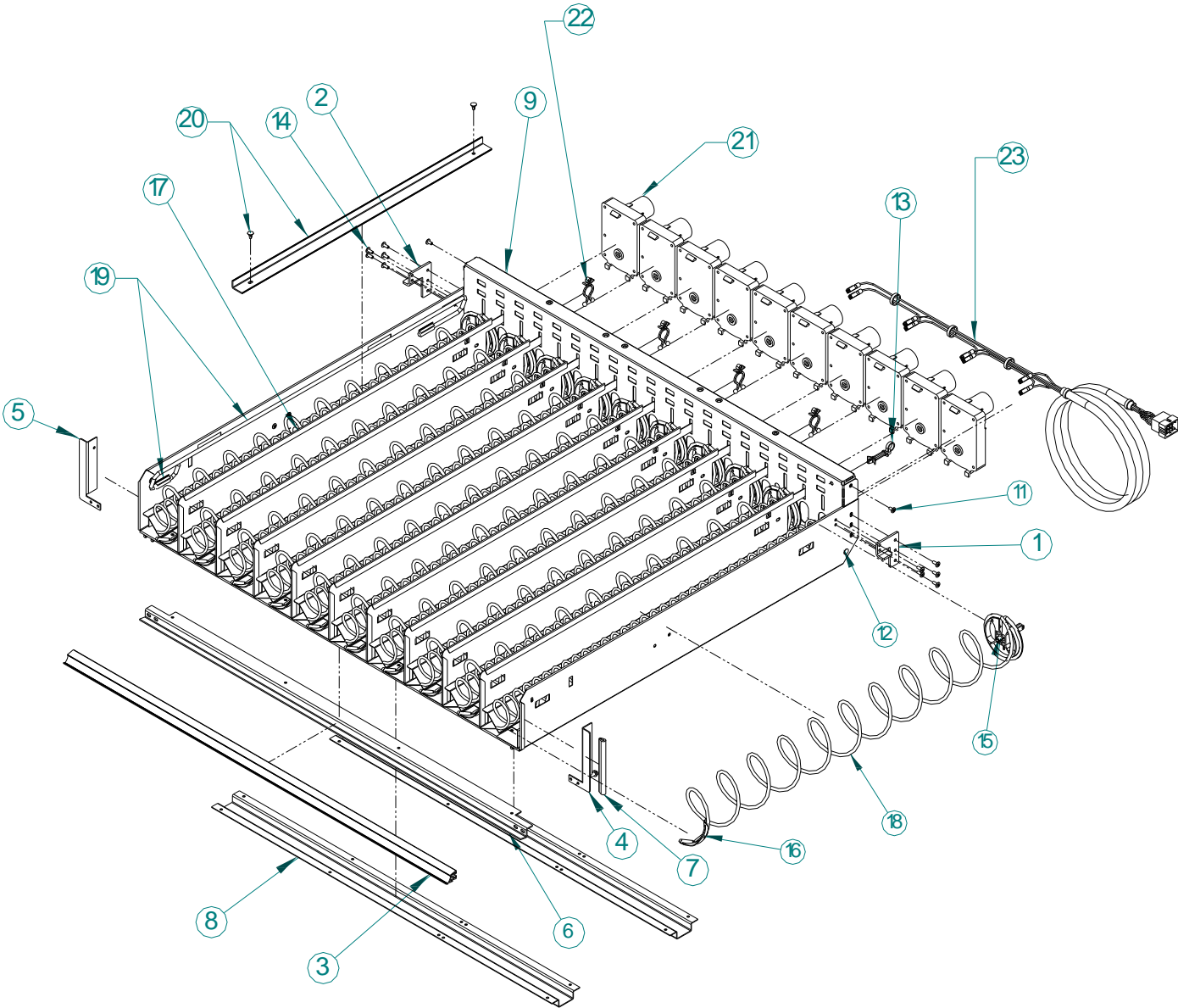
MODEL 35 & 39 (SNACK/CANDY/FOOD) STANDARD TRAY PARTS LIST			
ITEM NO	PART NO.	PART DESCRIPTION	NOTE
1	20073	TRAY STOP	
2	20073-01	TRAY STOP, LH	
3	----	HELIX	1 PER COLUMN. SEE HELIX SECTION
4	20147	HARNESS, TRAY 10 COLUMN	
5	20220	EXTRUSION, CANDY PUSHER	OPTIONAL, 2 PER 20221 & DIVIDER WITH CUTOUTS
6	20221	BAR, CANDY PUSHER	OPTIONAL, 1 PER DIVIDER WITH CUTOUTS
7	20450	KIT, HELIX SPLITTER	OPTIONAL, 1 PER SELECTION
8	20465-02	EXTRUSION, PRICE MARKER, REDUCED HEIGHT (35")	
	20465-01	EXTRUSION, PRICE MARKER, REDUCED HEIGHT (39")	
9	20535	KIT, CUP RAIL, SMALL HELIX	OPTIONAL, 1 PER SELECTION
	20536	KIT, CUP RAIL, 4" HELIX	
10	20643	TRAY DOUBLER, VER. 2 (35")	
	20544	TRAY DOUBLER, VER. 2 (39")	
11	20545	TRAY CORNER, VER. 2 (RH)	
12	20545-01	TRAY CORNER, VER. 2 (LH)	
13	20614	LABEL SHEET, REDUCED HEIGHT, PRICE	
14	20796-01	EDGE TRIM, TRAY CORNER	RIGHT HAND CORNER ONLY
15	21045	TRAY BODY, REDUCED DEPTH (35")	
	20955	TRAY BODY, REDUCED DEPTH (39")	
16	20966	HELIX ADAPTOR, WITHOUT HUB	
17	21138	ASSEMBLY, TRAY DIVIDER	INCLUDES DIVIDER WITH 20133 SPRING, SELECT TYPE, NUMBERS TO FORM COLUMNS
	21139	ASSEMBLY, TRAY DIVIDER, HIGH	
	23664	ASSEMBLY, TRAY DIVIDER, EXTRA HIGH	
18	22192	HELIX ALIGNMENT DEVICE, PVC	
19	22908	LABEL SHEET, REDUCED HEIGHT, PRICE W/\$	
20	22909	LABEL SHEET, REDUCED HEIGHT, LOCATION, WHITE	
21	23007	MOTOR, WITH HOME CIRCUIT, CCW	OPTIONAL
	23007-01	MOTOR, WITH HOME CIRCUIT, CW	
22	24046	KIT, MINI-DISPENSER	OPTIONAL, 1 PER SELECTION

MODEL 35 & 39 (SNACK/CANDY/FOOD) STANDARD TRAY PARTS LIST			
ITEM NO	PART NO.	PART DESCRIPTION	NOTE
23	22250	ASSEMBLY, TRAY RAIL, SNACK (RH)	
24	22251	ASSEMBLY, TRAY RAIL, SNACK (LH)	
25	3000	SCREW, SHEET METAL TEK – 8-18	
26	3001-03	SCREW, SHEET METAL, TYPE B, #8-18	SAFETY SCREWS FOR RAILS
27	3009-02	RIVET, STEEL, BLACK 1/8 DIA X 1/8 GRIP	
28	3009-04	RIVET, STEEL, BLACK 1/8 DIA X ¼ GRIP	
29	3019	CANOE CLIP	2 PER HELIX ALIGNMENT DEVICE
30	3020	WIRE TIE, STAND OFF	
31	3042-01	WIRE TIE, PANEL MOUNT	
32	3111	HELIX EJECTOR	
33	3295-03	RIVET, STEEL, 1/8", PLATED	

***Tray also comes in scrolling price option. Contact your distributor for details.

THIS PAGE INTENTIONALLY LEFT BLANK

35" & 39" HIGH CAPACITY HEAVY PRODUCT TRAY ILLUSTRATION



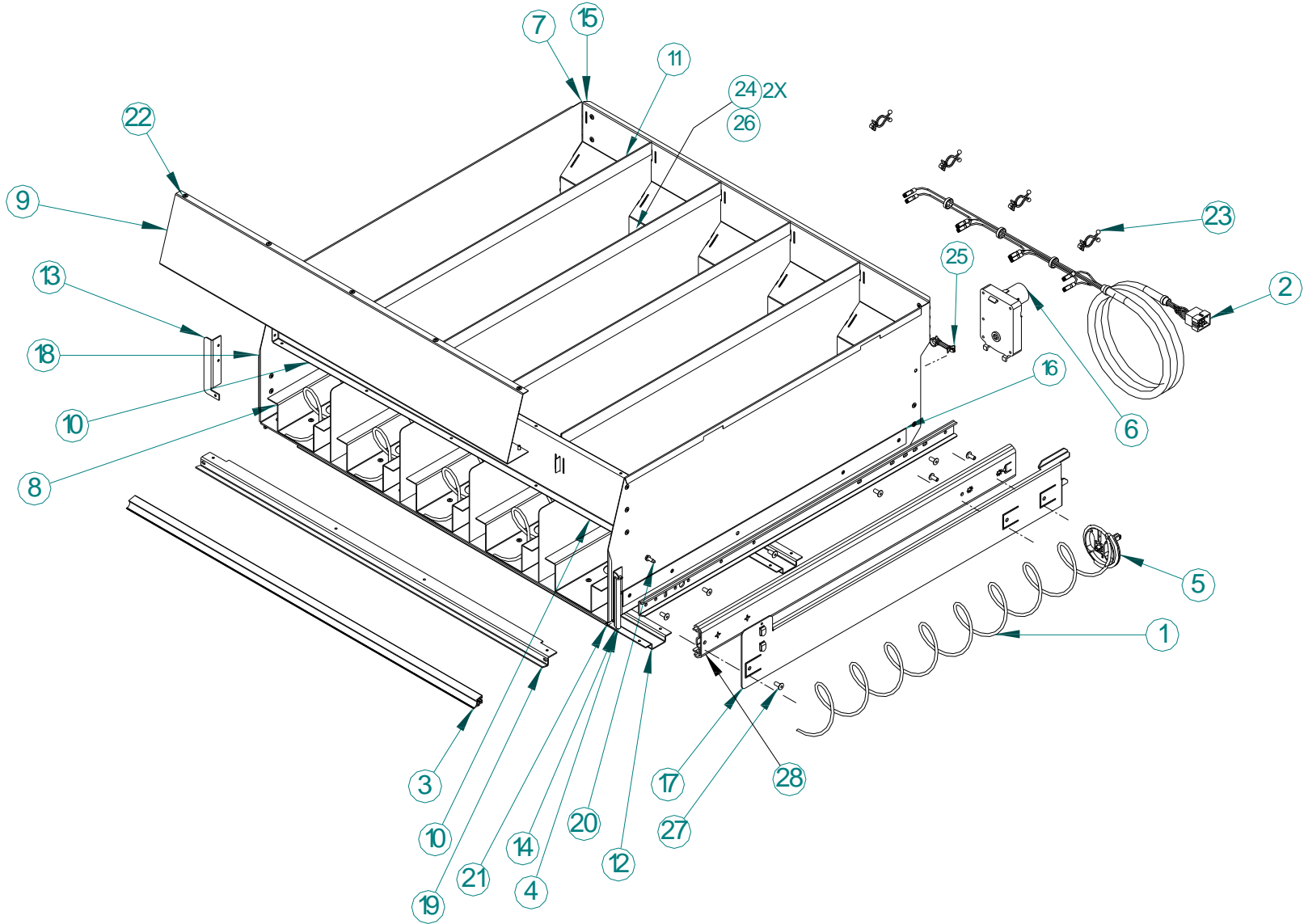
35 & 39 HIGH CAPACITY HEAVY PRODUCT TRAY PARTS LIST			
ITEM NO	PART NO.	PART DESCRIPTION	NOTE
1	20073	TRAY STOP	
2	20073-01	TRAY STOP, LH	
*3	20465-02	EXTRUSION, PRICE MARKER, REDUCED HEIGHT (35")	
	20465-01	EXTRUSION, PRICE MARKER, REDUCED HEIGHT (39")	
4	20545	TRAY CORNER, VER. 2 (RH)	
5	20545-01	TRAY CORNER, VER. 2 (LH)	
6	20643	TRAY DOUBLER, VER. 2 (35")	
	20544	TRAY DOUBLER, VER. 2 (39")	
7	20796-01	EDGE TRIM, TRAY CORNER	RIGHT HAND CORNER ONLY
8	21958	TRAY REINFORCEMENT (35")	
	22831	TRAY REINFORCEMENT (39")	
9	24094	TRAY BODY, HCHP, REDUCED DEPTH (35")	
	24055	TRAY BODY, HCHP, REDUCED DEPTH (39")	
10	3001-03	SCREW, SHEET METAL, TYPE B, #8-18	
11	3009-02	RIVET, STEEL, BLACK, 1/8 DIA X 1/8 GRIP	
12	3019	CANOE CLIP	
13	3042-01	WIRE TIE, PANEL MOUNT	
14	3295-03	RIVET, STEEL, 1/8", PLATED	
15	20966	HELIX ADAPTOR, WITHOUT HUB	
16	3111	HELIX EJECTOR	
17	23333	TRAY DIVIDER, 3-3/8"	SELECT TYPE, NUMBERS TO FORM COLUMNS
	23334	TRAY DIVIDER, 4-7/8"	
	23335	TRAY DIVIDER, 8"	
18	-----	HELIX	1 PER COLUMN – SEE HELIX SECTION
19	20449	ASSEMBLY, CANDY PUSHER	OPTIONAL – CONTACT YOU DISTIBUTOR
20	23622	ASSEMBLY, HELIX ALIGNMENT DEVICE	OPTIONAL – CONTACT YOU DISTIBUTOR
21	23007	MOTOR, WITH HOME CIRCUIT, CCW	OPTIONAL – CONTACT YOU DISTIBUTOR

35 & 39 HCHP STANDARD TRAY PARTS LIST			
ITEM NO	PART NO.	PART DESCRIPTION	NOTE
22	3020	WIRE TIE, STANDOFF	OPTIONAL – CONTACT YOUR DISTRIBUTOR
23	20147	HARNESS, TRAY, 10 COLUMN	
NOT SHOWN	22834	ASSEMBLY, HEAVY PRODUCT RAIL, SERVICE, RH	SUPPLIED
NOT SHOWN	22835	ASSEMBLY, HEAVY PRODUCT RAIL, SERVICE, LH	SUPPLIED

*Tray also comes in scrolling price option. Contact your distributor for details.

THIS PAGE INTENTIONALLY LEFT BLANK

35" & 39" HORIZONTAL CAN TRAY ILLUSTRATION



* 35 & 39 HORIZONTAL CAN TRAY PARTS LIST			
ITEM NO	PART NO.	PART DESCRIPTION	NOTE
1	20120-07	HELIX, SMALL, CCW, 7-PITCH	1 PER COLUMN. CONTACT AMS FOR YOUR APPLICATION
	20120-08	HELIX, SMALL CCW, 8-PITCH	
2	20147	HARNESS, TRAY, 10 COLUMN	
*3	20465-08	EXTRUSION, PRICE MARKER, 21.2" (35")	
	20465-07	EXTRUSION, PRICE MARKER, 26.5" (39")	
4	20796-01	EDGE TRIM, TRAY CORNER	RIGHT HAND CORNER ONLY
5	20966	HELIX ADAPTOR, WITHOUT HUB	
6	23007	MOTOR, WITH HOME CIRCUIT, CCW	
7	24976	TRAY BODY, HORIZONTAL CAN, 4 SELECT (35")	
	24107	TRAY BODY, HORIZONTAL CAN, 5 SELECT (39")	
8	24110	SUPPORT, CAN/HELIX, HORIZONTAL CAN TRAY	
9	24979	RESTRICTOR, FRONT, HORIZONTAL CAN TRAY, 4 SELECT (35")	
	24112	RESTRICTOR, FRONT, HORIZONTAL CAN TRAY, 5 SELECT (39")	
10	24983	RESTRICTOR, BACK, HORIZONTAL CAN TRAY, 4 SELECT (35")	
	24113	RESTRICTOR, BACK, HORIZONTAL CAN TRAY, 5 SELECT (39")	
11	24114	DIVIDER, HORIZONTAL CAN TRAY	CONTACT AMS FOR YOUR APPLICATION
12	24978	REINFORCEMENT, HORIZONTAL CAN TRAY, 35"	
	24120	REINFORCEMENT, HORIZONTAL CAN TRAY, 39"	
13	24121	CORNER, LEFT, S/P, HORIZONTAL CAN TRAY	
14	24122	CORNER, RIGHT, S/P, HORIZONTAL CAN TRAY	
15	24977	PANEL, BACK, HORIZONTAL CAN TRAY, 4 SELECT 35"	
	24149	PANEL, BACK, HORIZONTAL CAN TRAY, 5 SELECT 39"	
16	24171	SPACER, RAIL SLIDE, HORIZONTAL CAN TRAY	
17	24191	RAIL, SLIDE MOUNTING, RH, HORIZONTAL CAN TRAY	

* 35 & 39 HORIZONTAL CAN TRAY PARTS LIST			
ITEM NO	PART NO.	PART DESCRIPTION	NOTE
18	24191-01	RAIL, SLIDE MOUNTING, LH, HORIZONTAL CAN TRAY	
19	24984	DOUBLER, TRAY, HORIZONTAL CAN, 35"	
	24224	DOUBLER, TRAY, HORIZONTAL CAN, 39"	
20	3000	SCREW, SHEET METAL, TEK – 8-18	
21	3001-03	SCREW, STEEL METAL, TYPE B, #8-18	
22	3009-02	RIVET, STEEL, BLACK, 1/8 DIA X 1/8 GRIP	
23	3020	WIRE TIE, STANDOFF	
24	3023-11	WASHER, FLAT, NYLON	
25	3042-01	WIRE TIE, PANEL MOUNT	
26	3286-03	SNAP RIVET	
27	3709-02	RIVET, STEEL, 3/16 DIA., .125 TO .25 GRIP L	

*Tray also comes in scrolling price option. Contact your distributor for details.

