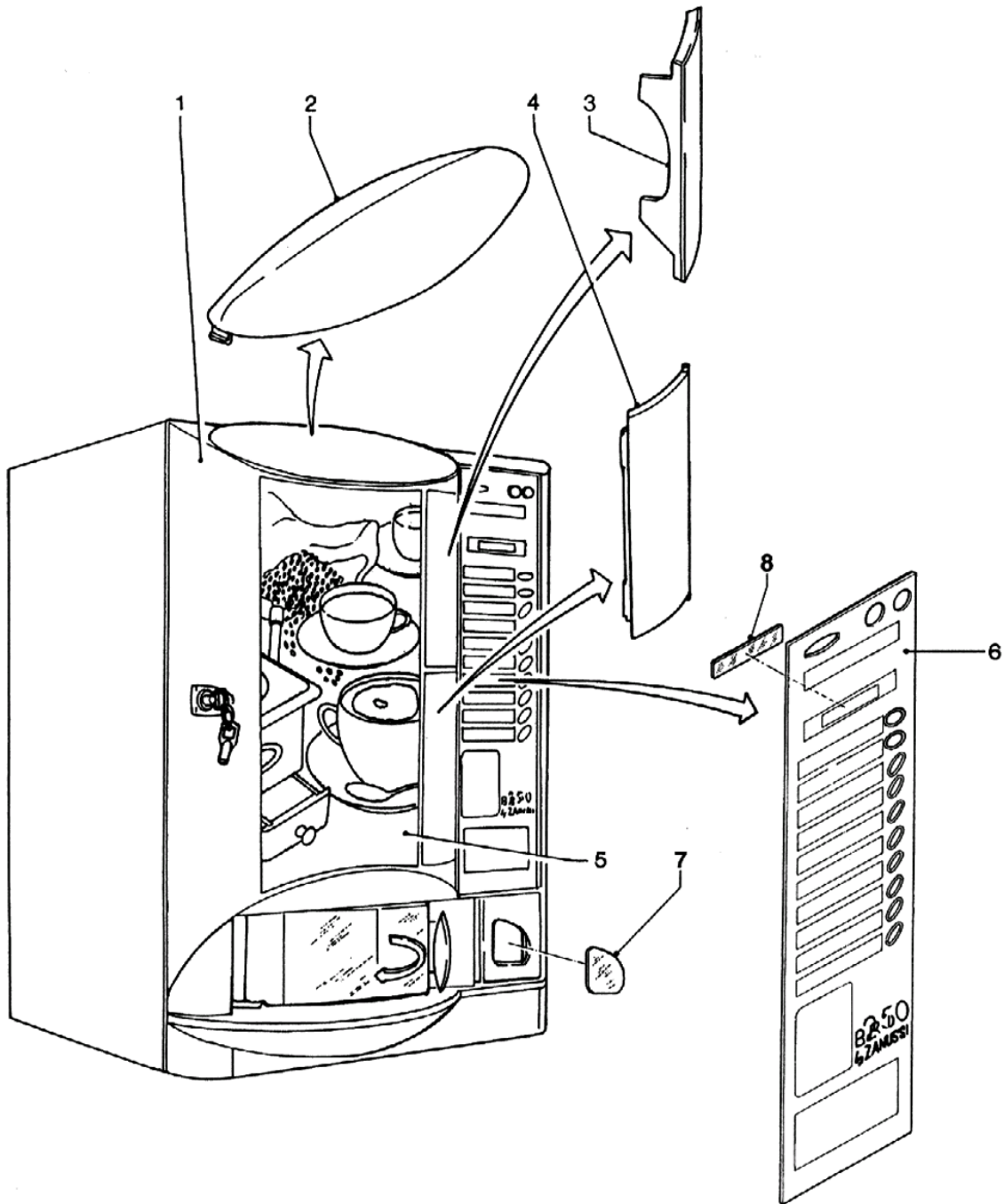
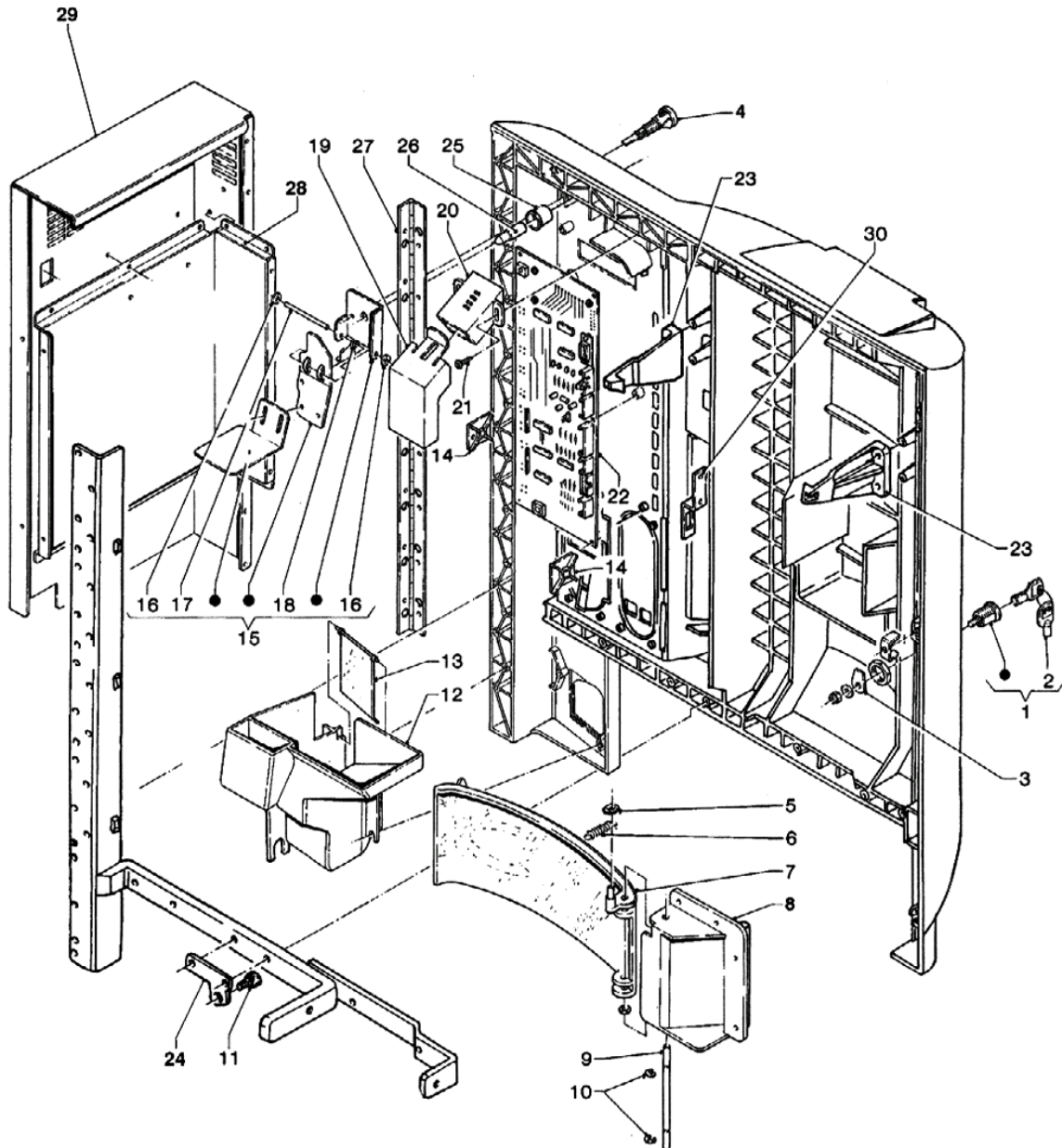


## **BRIO 250 C - UL 120V. - 60 HZ**



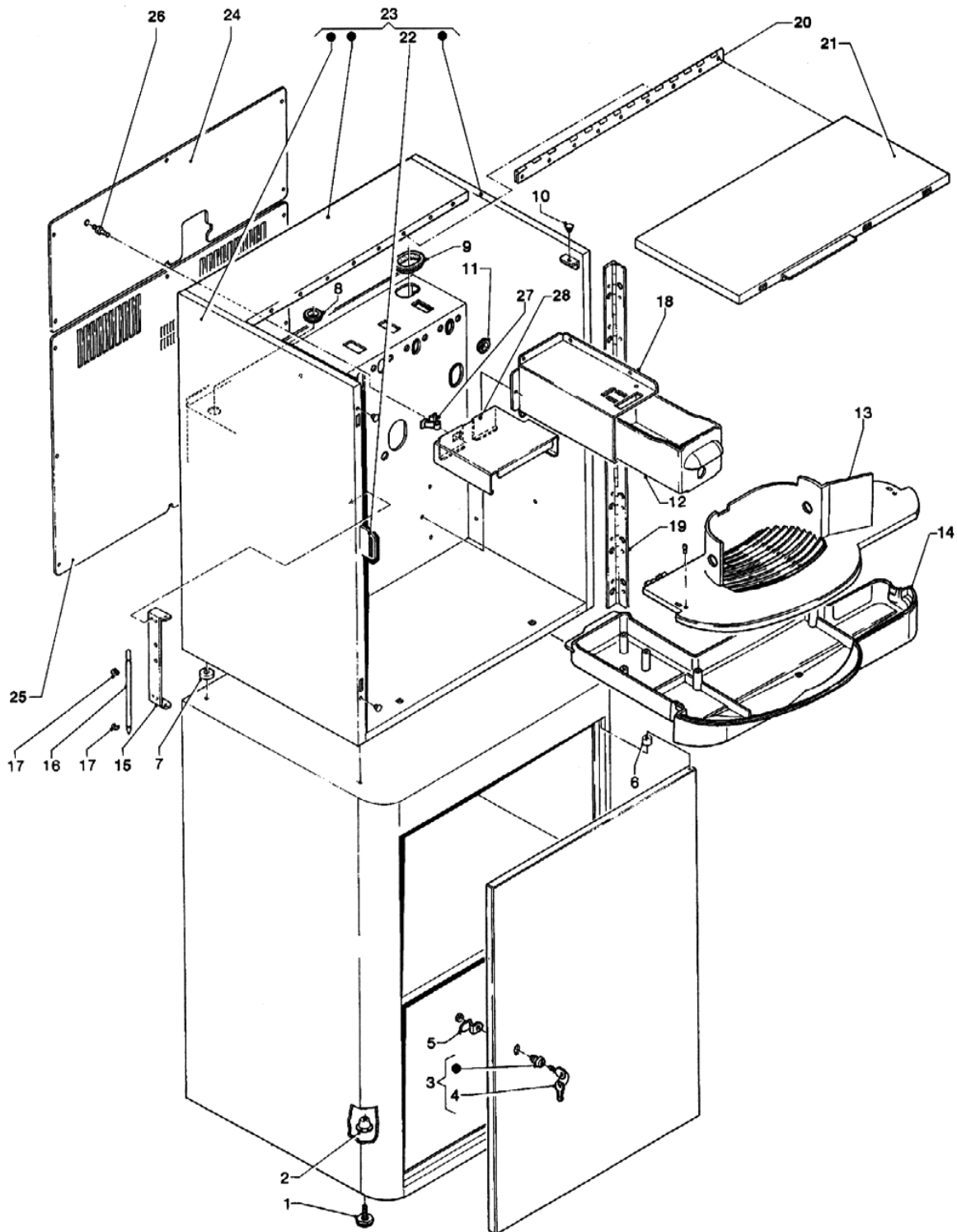


	<b>Code</b>	<b>Description</b>	<b>Notes</b>
1	0V2767	BLACK DOOR	
2	0V2768	BLACK UPPER COVER	
3	0V2769	FREEVEND SWITCH SUPPORT-BLACK	
4	0V2427	INGREDIENTS LABEL SUPPORT	
5	0V2423	PHOTOGRAPHIC PANEL	
6	0V2422	SELECTION PANEL	
7	0V2766	BLACK PLUG	
8	0V2463	DISPLAY GLASS BRIO	



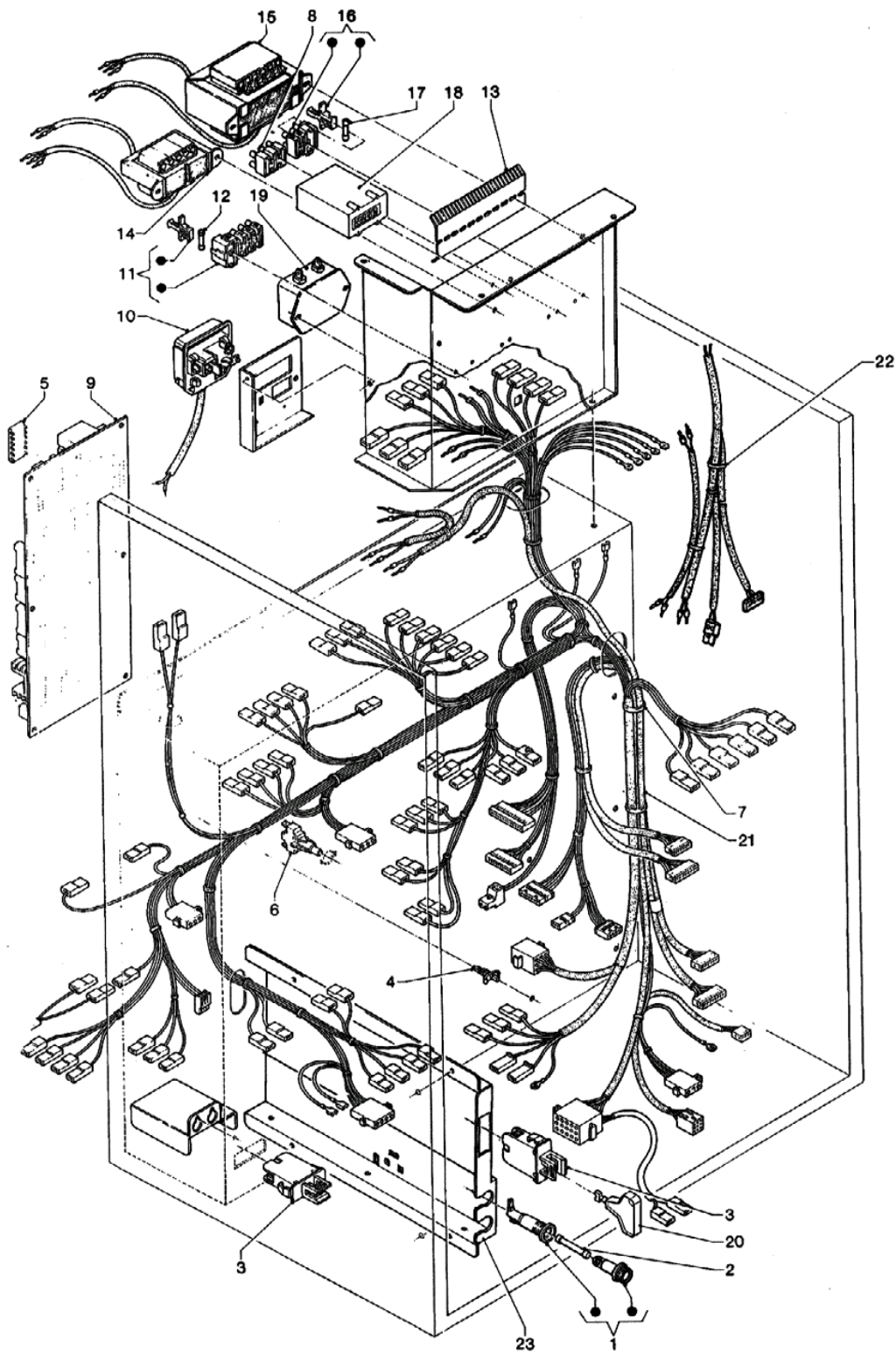
---

	<b>Code</b>	<b>Description</b>	<b>Notes</b>
1	098303	LOCK TYPE 'N'	
2	098463	PASSPARTOUT -ROUND LOCK-	
3	093909	DEAD BOLT	
4	099563	LUMINOUS INDICATOR 12 VOLT	
5	093829	LEVER LOCK CLIP	
6	093978	SPRING FOR ACTUATOR	
7	099346	SHUTTER	
8	0V2847	BLACK SHUTTER SUPPORT	
9	099347	PIN FOR SHUTTER	
10	098818	STOPPING RING D.4	
11	092738	WEDGE BUMPER	
12	0V0696	RECOVERY/CASH CHUTE-BLACK-	
13	0V2765	BLACK DISPENSING OPENING	
14	094989	SELF-STICKING FIXING	
15	099399	COMPLETE CHANGE GIVER DEVICE }	
16	093754	BENZING COLLAR QUICKBLOCK BQ DIAM MM	
17	099355	CHANGE GIVING PIN	
18	099356	SPRING FOR CHANGE	
19	099358	LOWER SLIDE	
20	099357	UPPER SLIDE	
21	097879	NICKELPLATED SCREW	
22	0V0765	INTERFACE CARD MDB	
23	0V2414	COIN-MECHANISM HOOK	
24	0V2763	SLIDER STOP	
25	0V2071	COIN RETURN BUTTON	
26	099351	ACTIVATOR	
27	099348	COIN-MECHANISM HINGE	
28	0V1664	COIN MECH SUPPORT STRENGTHENING	
29	0V0904	COIN MECHANISM SUPPORT	
30	0V1396	LOCK HOOK	



---

	<b>Code</b>	<b>Description</b>	<b>Notes</b>
1	096244	LITTLE FEET	
2	097861	THREADED CONNECTOR	
3	094814	LOCK PREFER 'V000' SELECTED CLOSING TIME	
4	091116	KEY TYPE 'V'	
5	098551	BOLT	
6	094548	SPACER	
7	096988	WASHER	
8	090020	WHIPPING MM 16	
9	093916	WHIPPING OVAL	
10	098759	RUBBER BUFFER	
11	093312	WHIPPING DIAM MM 12 ART 46	
12	099320	COIN-BOX	
13	0V3285	TRAY AND DELIVERY AREA W/HOLE-BLACK	
14	0V3285	TRAY AND DELIVERY AREA W/HOLE-BLACK	
15	099372	HINGE	
16	099373	SHELF PIN	
17	091959	BENZING COLLAR DIAM MM4	
18	0V2297	COIN BOX LID	
19	0V0711	DOOR HINGE -BLACK	
20	0V0710	MACHINE TOP HINGE (BLACK)	
21	0V2762	BLACK CABINET MACHINE TOP	
22	0V0379	LATCH BOLT PLATE	
23	0V2915	CABINET - "BLACK"	
24	0V2402	UPPER COVER	
25	0V3613	EXPRESS REAR COVER	
26	094159	FIXING PLUG	
27	094026	FEMALE CLIP	
28	0V1538	COFFEE CONTAINER STOP	





---

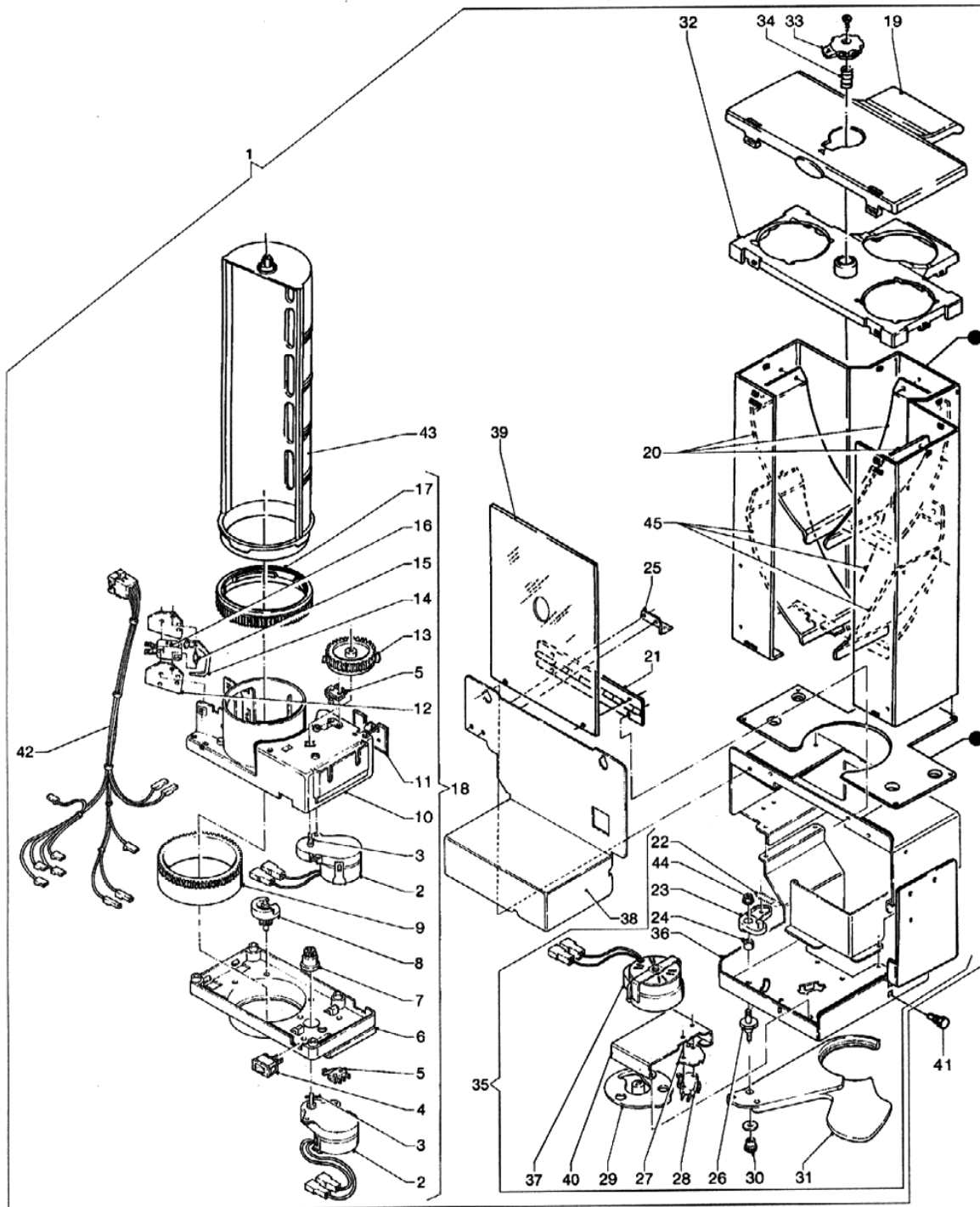
	<b>Code</b>	<b>Description</b>	<b>Notes</b>
1	0V3201	FUSE HOLDER	
2	0V0795	6.3X32 T15A FUSE	
3	097796	SWITCH	
4	093984	GUIDE SPACER	
5	099982	1024K-EPROM (TO BE PROGRAMMED)	
6	097898	UNIPOLAR BUTTON	
7	090148	CLIP	
8	986053	TERMINAL BOARD	
9	0V1858	PLUS CPU/REALISATION BOARD	
10	098796	TERMINAL BOARD	
11	098793	5P TERMINAL BOARD WITH FUSE-HOLDER	
12	0V0456	FUSE 160MA	
13	097242	SUB-TERMINAL BOARD	
14	0V0454	TRANSFORMER 110V	
15	0V0455	TRANSFORMER 110V	
16	097241	3-POLE TERMINAL BOARD W/CARRIER	
17	0V0457	FUSE 400MA	
18	0V2470	WIRED SCALER 12 VOLT	
19	0V0796	ELECTRICAL NET FILTER	
20	0V1654	SWITCH KEY	
21	0V1606	MAIN WIRING	
22	0V0764	MDB WIRING	
23	0V1605	SWITCH SUPPORT	



	<b>Code</b>	<b>Description</b>	<b>Notes</b>
1	0V1383	120V-60HZ COFFE BOILER	
2	0V0470	ELECTROVALVES GROUP 110V	
3	099400	PLUNGER TUBE	
4	0V0843	PUMP DELIVERY PIPE	
5	0V0772	STRAIGHT CONNECTION 6/3	
6	097515	SILICONE HOSE 10X16 BROWN	
7	093754	BENZING COLLAR QUICKBLOCK BQ DIAM MM	
8	094231	UNION T-SHAPE	
9	098707	VOLUMETRIC COUNTER	
10	097510	SILICONE HOSE 5X9 BROWN	
11	0V0469	ELECTROVALVE 2.5 L/M 110V	
12	0V0779	O-RING 116	
13	252538	O-RING 2025	
14	097435	WATER FILTER VOLUMETRIC COUNTER	
15	093091	PUMP DAMPER	
16	0V0466	PUMP 110V	
17	098815	90 DEGREES THERMIC PROTECTION	
18	0V0797	NON-RETURN VALVE	
19	0V0798	PUMP BY-PASS	
20	099107	NUT	
21	097685	SILICONE HOSE BROWN 7.5X12	
22	097511	SILICONE HOSE 6X9 BROWN	
23	094185	CODENSE RECOVERY UNION	
24	097512	SILICONE HOSE 6X12 BROWN	
25	0V0768	LOWER COVER	
26	0V0758	O-RING 4350	
27	0V0685	1100W-120V RESISTANCE	
28	252684	O-RING	
29	0V0767	UPPER COVER	
30	0V1385	SINGLE-POLE THERMOSTAT 125 G. 120V	
31	094872	BOILER TEMPERATURE PROBE	
32	0V1856	INSTANTS COIL 110 VOLT	
33	0V0756	ELECTROVALVE SUPPORT	
34	099058	NUCLEUS INSTANT-E.V.	
35	099059	VALVE-BUSH-GASKET	
36	0V1953	INSTANT-ELECTROV. CONNECTION PIPE	
37	097472	3-WAY ELECTROVALVE NUCLEUS -VITON-	
38	099105	COFFEE-ELECTROV. CONNECTION PIPE	
39	099329	FUNNEL NOZZLE D. 3.4	
40	097529	SILICONE HOSE 3X6 BROWN	
41	0V0774	STAINLESS STEEL RUBBER HOLDER ASSY.	
42	0V0780	O-RING 2031	
43	0V0773	STRAIGHT CONNECTION 5/2.5	
44	0V1750	TRAY FLOAT	
45	098711	BUSH PISTON PIPE	
46	098699	UNION FOR PISTON PIPE	

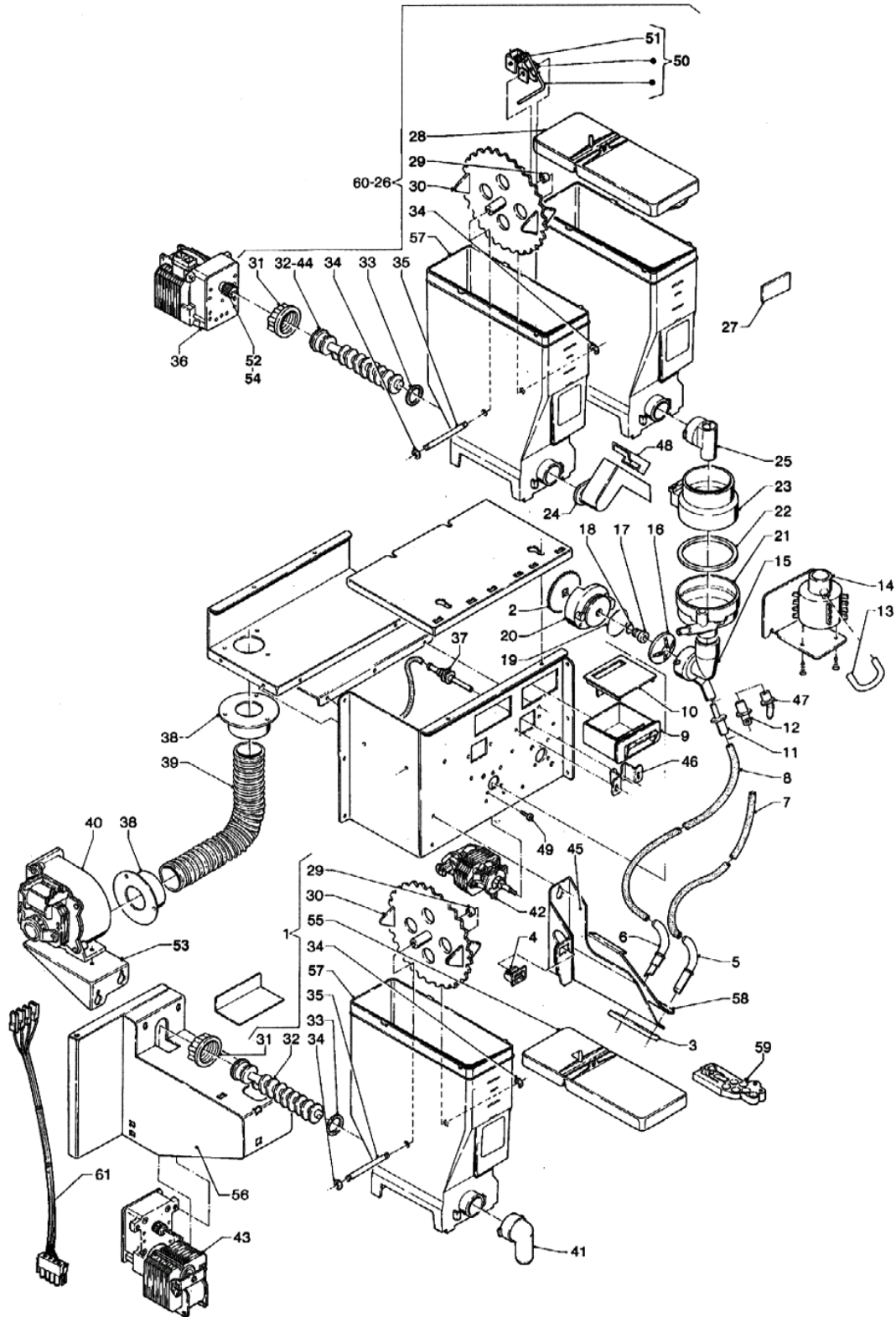
---

	<b>Code</b>	<b>Description</b>	<b>Notes</b>
47	0V0781	O-RING 2018	
48	0V0191	POMPE SUPPORT	
49	099327	COFFEE GROUNDS TRAY	
50	095623	GASKET O-RING 119 EP851	
51	092703	TUBE CLAMP	
52	0V1350	MICROSWITCH SUPPORT	
53	0V1930	MICROSWITCH 'UL'	
54	985318	NUT	
55	0V1133	AIR-BREAK ASSEMBLY	
56	0V1749	WATER/AIR-BREAK CONNECTION	
57	0V1126	AIR-BREAK FLOAT	
58	0V1141	MICROSWITCH	
59	096194	SCREW M6X25	
60	0V2458	MONOBLOC BRASS 3 ELECTROVALVES	
61	0V1600	CAP WITH O-RING	
62	0V0757	BOILER SUPPORT	
63	099801	SUPPORT	



---

	<b>Code</b>	<b>Description</b>	<b>Notes</b>
1	0V2770	CUP DISPENSER ASSY 73/74 UL	
2	0V0459	MOTOREDUCER 110V	
3	096904	ELASTIC PLUG 1.5X8	
4	097807	BUTTON	
5	0V1928	MICRO-SWITCH 'UL'	
6	098473	LOWER SHELL	
7	098476	PINION	
8	0V1659	SNAIL W/DIAM. 73-74	
9	098477	TOOTHED RING	
10	0V1300	UPPER SHELL	
11	098475	SHUTTER	
12	092984	MICRO SUPPORT DISK	
13	0V2412	PINION	
14	092982	MICRO LEVER	
15	093419	MICRO DRIVE LEVER PIVOT	
16	092439	MICRO TYPE 'CHERRY'	
17	0V2416	TURNABLE SUPPORT	
18	0V2771	CUP DISPENSER 73/74 UL	
19	0V2418	CUPS HOUSING COVER	
20	0V1114	SPRING	
21	0V2429	SLIDER HINGE	
22	093978	SPRING FOR ACTUATOR	
23	099367	CRANK	
24	099365	COMPASS	
25	099567	SUGAR POWDER PROTECTION	
26	099368	PIN	
27	090681	INSULATING DISK	
28	0V1927	MICROSWITCH 'UL'	
29	099369	CAM	
30	093828	KNURL	
31	099555	OSCILLATING ARM 73-74	
32	0V2415	CUP HOUSING CEILING	
33	0V2417	KNOB	
34	0V2407	SPRING	
35	0V2741	CUP TRANSLATOR 73/74 120V-UL	
36	0V2404	TRANSLATOR SUPPORT	
37	0V0463	MOTOREDUCER 110V	
38	0V1921	COVERING	
39	0V2455	COVERING	
40	0V1571	MOTOREDUCER SUPPORT	
41	0V2408	ROTATION PIVOT	
42	0V0761	CUP DISPENSER WIRING	
43	0V2419	TURNABLE PILLAR	
44	091703	SELF-BLOCKING NUT M4	
45	099363	SPRING	

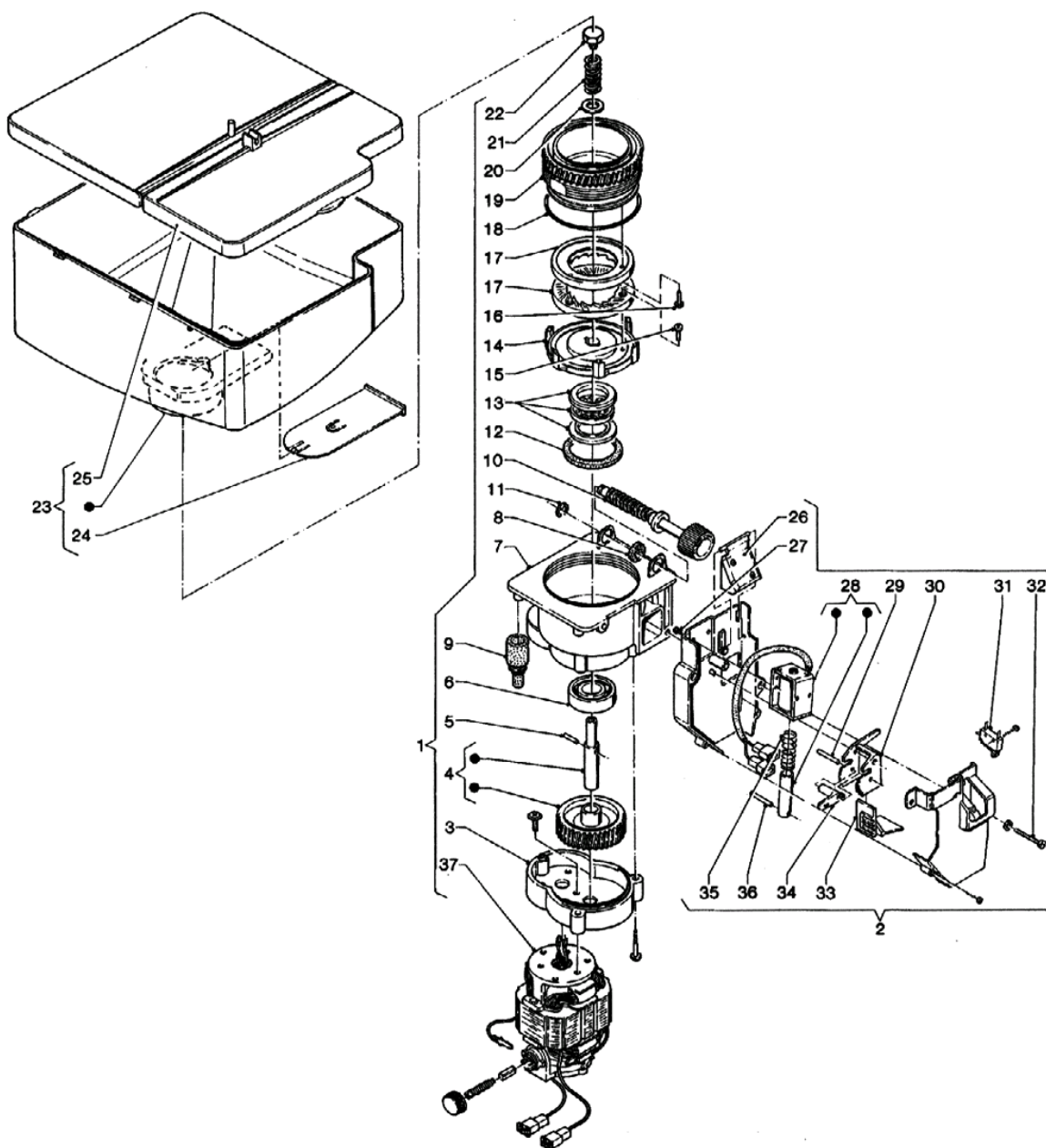


	<b>Code</b>	<b>Description</b>	<b>Notes</b>
1	0V2432	POWDERS CANISTER NORMAL SCROLL	
2	099889	DISK	
3	099328	NOZZLES SUPPORT	
4	094026	FEMALE CLIP	
5	097922	NOZZLE	
6	097953	POINTED NOZZLE	
7	097510	SILICONE HOSE 5X9 BROWN	
8	097511	SILICONE HOSE 6X9 BROWN	
9	099330	POWDERS DRAWER	
10	099331	DRAWER LID	
11	097914	COFFEE CHOKE	
12	097915	MILK CHOKE	
13	097970	PIPE FOR COIL	
14	097923	COIL FOR TEA	
15	097912	CONVEYOR FOR MIXER	
16	097916	MIXER VENTILATOR	
17	097917	BUSH SEAL	
18	0V0775	O-RING 106	
19	0V0776	O-RING 3125	
20	097911	FLANGE FOR MIXER	
21	098191	WATER-FUNNEL CUT	
22	097523	DEFLECTOR RING MIXER BROWN	
23	097520	POWDER INLET FUNNEL BROWN	
24	099102	RIGHT POWDERS CONVEYOR	
25	098939	ROUND STRAIGHT PIPETTE	
26	099334	POWDERS CANISTER	FOR MILK-TEA-COFFEE
27	097502	NAMEPLATE GROUP CONTAINER INSTANT P	
28	099466	LID FOR CONTAINER	
29	098812	SPACER	
30	095936	WHEEL	
31	095849	CONTAINER RING NUT	
32	098609	SCROLL	
33	095829	GASKET O-RING	
34	091959	BENZING COLLAR DIAM MM4	
35	0V1962	PIN FOR WHEEL	
36	0V0462	MOTOREDUCER 110V 65G/MIN	65 REVOLUTIONS
37	099329	FUNNEL NOZZLE D. 3.4	
38	098703	VENTILATOR PIPE CONNECTION D38	
39	096459	HOSE DIAM 32	
40	0V0464	ELECTROVENTILATOR 110V	
41	099814	PIPETTE	
42	0V0450	MOTORMIXER 110V	
43	0V0460	MOTOREDUCER 110V 51G/MIN	
44	098608	LONG SCROLL	
45	0V0909	GUIDE SUPPORT	
46	0V1885	NOZZLE SUPPORT	



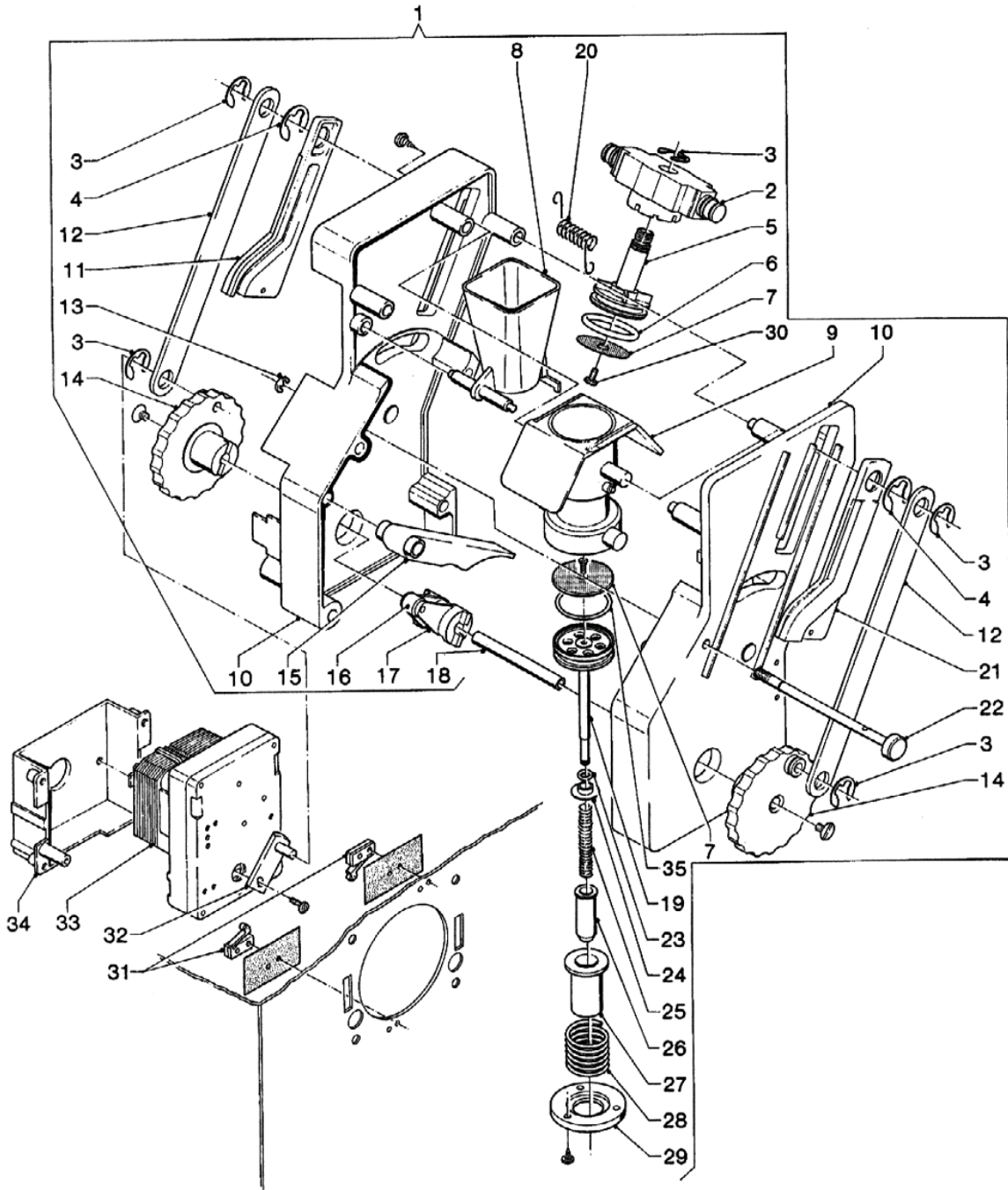
---

	<b>Code</b>	<b>Description</b>	<b>Notes</b>
47	097913	ELBOW FOR MIXER	
48	099803	LONG CONVEYOR COVER	
49	099773	SCREW	
50	099494	CANISTER-BEATER	
51	099442	SPRING	
52	099882	PINION (FOR SMALL SHAFT)	FOR SMALL SHAFT
53	0V1935	VENTILATOR SUPPORT	
54	0V0943	PINION (FOR MAIN SHAFT)	FOR LARGE SHAFT
55	0V2410	LID FOR CONTAINER	
56	0V2760	SUGAR BRACKET	
57	0V2277	CONTAINER CASING	
58	0V0908	GUIDE	
59	098067	SUPPORT FOR INSTANT NOZZLES	
60	099335	POWDERS CANISTER LONG SCROLL	FOR CHOCOLATE
61	0V0762	SUGAR/STIRRER BRACKET WIRING	



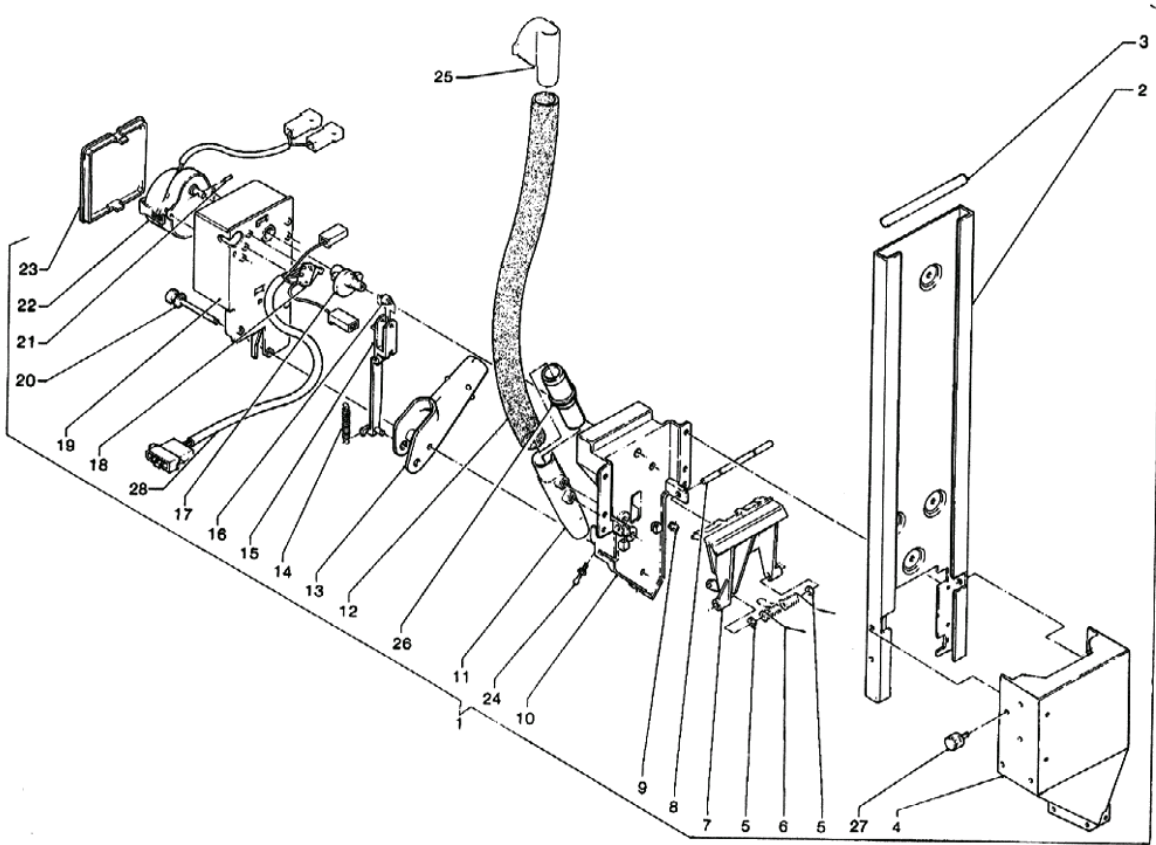
---

	<b>Code</b>	<b>Description</b>	<b>Notes</b>
1	0V0443	GRINDER 110V	
2	0V2700	COFFEE DOSER 110V-60HZ	
3	099468	SUPPORT	
4	099470	SHAFT WHEEL	
5	098293	ELASTIC PLUG	
6	095803	RADIAL BEARING	
7	099469	CAP	
8	099457	WASHER	
9	099484	LITTLE RUBBER	
10	099474	REGULATION SCREW	
11	093171	OUTER FIXING COLLAR DIAM MM6	
12	093271	COFFEE JUNK RING	
13	093187	THRUST BEARING	
14	095802	GRINDER HOLDER IMPELLER	
15	095809	SELF-THREADING SCREW (M4)	
16	097879	NICKELPLATED SCREW	
17	095840	GRINDER	
18	095805	GASKET O-RING	
19	099473	GRINDER HOLDER	
20	096988	WASHER	
21	099471	SPRING	
22	099472	LEFT SCREW	
23	0V2433	COFFEE CANISTER	
24	098630	ROLL-UP FOR CONTAINER	
25	0V2409	COFFEE CONTAINER LID	
26	099475	ACTUATOR	
27	092657	CLOSS SLOT SCREW 3X6TC	
28	0V0468	ELECTROMAGNET 110V	
29	098822	PIN FOR LEVER	
30	098642	SHUTTER COFFEE-DOSER	
31	0V2131	BURGESS MICRO-SWITCH	
32	096097	SCREW	
33	098643	RULE COFFEE-DOSES	
34	098644	LEVER FOR RULE	
35	098696	SPRING DOSER ELECTROMAGNET	
36	093832	ROD PIVOT	
37	0V0452	GRINDER MOTOR 110V	



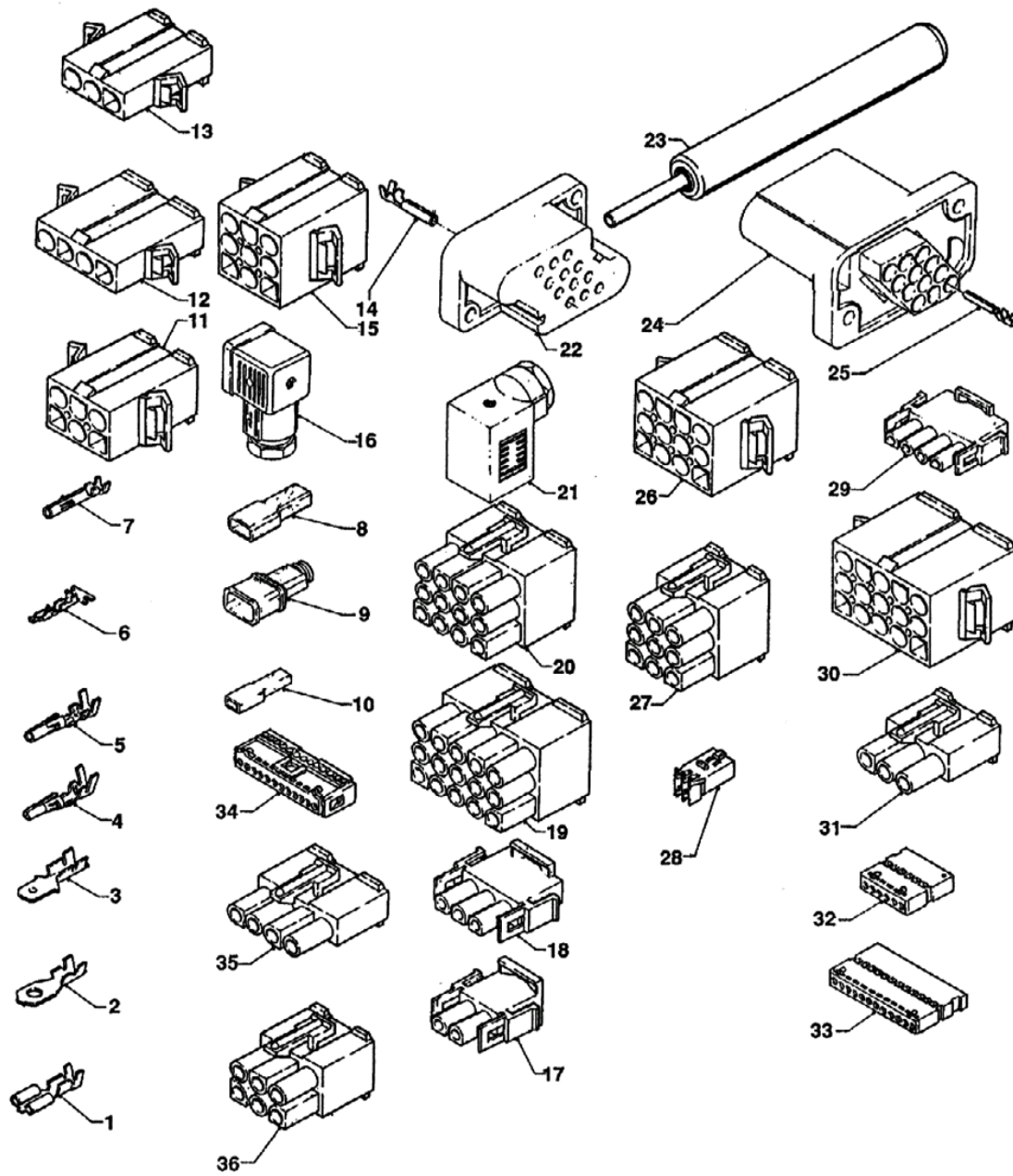
---

	<b>Code</b>	<b>Description</b>	<b>Notes</b>
1	0V0786	Z2000S 120V COFFEE UNIT	
2	098568	CROSS-BAR	
3	092717	FIXING COLLAR DIAM MM10	
4	096569	FIXING COLLAR DIAM 12	
5	098577	UPPER PISTON	
6	251089	O-RING - 29.3X3.6 UL	
7	098687	COFFEE FILTER	
8	098570	COFFEE CHUTE	
9	099489	BREWING CHAMBER	
10	0V1714	FRONT AND REAR SHOULDER	
11	098571	REAR SLEDGE	
12	098565	TRACE FOR PISTON COMMAND	
13	098818	STOPPING RING D.4	
14	098573	CRANK	
15	098575	OSCILLATING LEVER	
16	098692	ROTATING LEVER ROLL	
17	098574	ROTATING LEVER	
18	098693	ROD CRANK BLOCKING	
19	099490	LOWER PISTON	
20	098920	SCRAPER	
21	098572	FRONT SLEDGE	
22	098694	ROD WITH KNURL	
23	0V0782	O-RING 2025	
24	098690	CONTROL BUSH	
25	098688	PISTON RETURN SPRING	
26	098691	LOWER PISTON GUIDE	
27	098567	LID FOR SPRING	
28	098689	PREINFUSION SPRING	
29	098569	FLANGE FOR SPRING	
30	251235	STEEL SCREW M3X10MM	
31	096355	MICRO SWITCH -UL -	
32	098763	CRANK WITH PIN	
33	0V0458	MOTOREDUCER 110V	
34	098566	MOTOREDUCER SUPPORT	
35	251089	O-RING - 29.3X3.6 UL	



---

	<b>Code</b>	<b>Description</b>	<b>Notes</b>
1	0V2740	SUGAR/STIRRER DISPENSER 120V-UL	
2	0V2586	STIRRING-BAR PILLAR 105 MM	
3	099720	STIRRER BAR WEIGHT L=105	
4	0V3022	105 MM STIRRER CHUTE	
5	091959	BENZING COLLAR DIAM MM4	
6	099602	SPRING	
7	099610	LEVER	
8	098352	STIRRING BARS EJECTING PIN	
9	098853	PASS-WIRE	
10	099607	BODY	
11	098356	SUGAR PIPE	
12	098719	PVC PIPE 14X19(A METER)	
13	099721	SUGAR NOZZLE	
14	099616	SPRING	
15	099605	ROD	
16	099604	ROLLER	
17	099606	CAM	
18	096355	MICRO SWITCH -UL -	
19	099608	SUPPORT	
20	0V2949	SUGAR SPOUT PIN	
21	096904	ELASTIC PLUG 1.5X8	
22	0V0463	MOTOREDUCER 110V	
23	099609	COVER	
24	094159	FIXING PLUG	
25	099814	PIPETTE	
26	099375	HOSE COUPLING	
27	096977	KNURL	
28	0V0763	STIRRER DISPENSER WIRING	





	<b>Code</b>	<b>Description</b>	<b>Notes</b>
1	090959	FASTON W/O TONGUE	
2	090957	EYELET TERMINAL	
3	091159	TERMINAL FASTON MALE BRASS	
4	095955	TERMINAL MALE	
5	096136	TERMINAL FEMALE	
6	094405	TERMINAL FEMALE 2.5	
7	094956	TERMIONAL FEMALE	
8	090247	FEMALE FASTON COVER	
9	091192	FASTON COVER	
10	094957	FEMALE FASTON COVER	
11	0V0810	6-PIN CONNECTOR/P MOLEX 3191	
12	0V0809	4-PIN CONNECTOR/P MOLEX 3191	
13	0V0808	3-PIN CONNECTOR/P MOLEX 3191	
14	098902	TERMINAL FEMALE	
15	0V0811	9-PIN CONNECTOR/P MOLEX 3191	
16	096549	CONNECTOR	
17	094955	FEMALE HOLDER CONNECTOR 2-WAYS	
18	094954	FEMALE HOLDER CONNECTOR 3-WAYS	
19	0V0819	15-PIN CONNECTOR/P MOLEX 3191	
20	0V0818	12-PIN CONNECTOR/P MOLEX 3191	
21	098061	CONNECTOR MPM FOR COUNTER	
22	098901	FEMALE HOLDER CONNECTOR 12 WAYS	
23	0V0820	MOLEX CONTACT PULLER	
24	098899	MALE HOLDER CONNECTOR 12 WAYS	
25	098900	MALE PIN	
26	0V0812	12-PIN CONNECTOR/P MOLEX 3191	
27	0V0817	9-PIN CONNECTOR/P MOLEX 3191	
28	094953	FEMALE HOLDER CONNECTOR 2-WAYS MM 2.5	
29	098062	4-WAY CONNECTOR MATE-N-LOK AMP	
30	0V0813	15-PIN CONNECTOR/P MOLEX 3191	
31	0V0814	3-PIN CONNECTOR/P MOLEX 3191	
32	094712	FEMALE HOLDER CONNECTOR STOKO 6-WAY	
33	094404	FEMALE HOLDER CONNECTOR 12-WAYS 2.5	
34	094961	FEMALE HOLDER CONNECTOR P.I. 12-W	
35	0V0815	4-PIN CONNECTOR/P MOLEX 3191	
36	0V0816	6-PIN CONNECTOR/P MOLEX 3191	