

AUTOMATIC PRODUCTS international, ltd.

HOT BEVERAGE MERCHANDISER

MODEL 211 / 211E PARTS MANUAL

PLEASE

**DO NOT REMOVE
MANUAL FROM
MACHINE**



Automatic Products

international, ltd.

300 Jacksonville Rd. ♦ Warminster, PA. ♦ 18974

WARRANTY

Automatic Products international ltd. (APi) expressly warrants these automatic merchandisers (the "Unit"), manufactured by it, to be free under normal use and service from defects in material or workmanship for a period of two (2) years from the date of delivery of this Unit to the original purchaser. This warranty extends only to the original purchaser of the Unit. The exclusive remedy for this warranty is limited to the repair or replacement, at APi's sole option, of any part or parts of the Unit that are returned to APi or to the authorized dealer or distributor of APi from whom the unit was purchased with all transportation charges prepaid, and which, on APi's examination, shall, conclusively appear to have been defective. This warranty does not:

- a. extend to any Unit, or part thereof, that was subjected to misuse, neglect, or accident by other than APi after its delivery to the original purchaser;
- b. extend to any Unit, or part thereof, that was modified, altered, incorrectly wired or improperly installed by anyone other than APi or used in violation of the instructions provided by APi;
- c. extend to a Unit which has been repaired or altered by anyone other than APi or authorized dealer/distributor;
- d. extend to a Unit which has had the serial number removed, defaced or otherwise altered;
- e. extend to plastic or glass windows, lamps, fluorescent tubes and water contact parts;
- f. extend to any unit used outdoors
- g. extend to accessories used with the Unit that were manufactured by some person or entity other than APi.

APi DISCLAIMS ALL OTHER WARRANTIES OF ANY KIND AS TO THE UNIT AND ALL WARRANTIES OF ANY KIND AS TO ANY ACCESSORIES. THIS DISCLAIMER OF WARRANTIES INCLUDES ANY EXPRESS WARRANTIES OTHER THAN THE LIMITED WARRANTY PROVIDED ABOVE AS TO THE UNIT AND ALL IMPLIED WARRANTIES OF MERCHANTABILITY AND FITNESS FOR A PARTICULAR PURPOSE AS TO THE UNIT AND ANY ACCESSORIES. UNDER NO CIRCUMSTANCES SHALL APi BE RESPONSIBLE FOR ANY INCIDENTAL, CONSEQUENTIAL OR SPECIAL DAMAGES, LOSSES OR EXPENSES ARISING FROM OR IN CONNECTION WITH THE USE OF, OR THE INABILITY TO USE, THE GOODS FOR ANY PURPOSE WHATSOEVER. No representative of APi or any other person is authorized to assume for APi, or agree to on the behalf of APi, any other liability or warranty in connection with the sale of this Unit.

APi reserves the right to make any changes or improvements in its products without notice and without obligation, and without being required to make corresponding changes or improvements in Unit theretofore manufactured or sold.

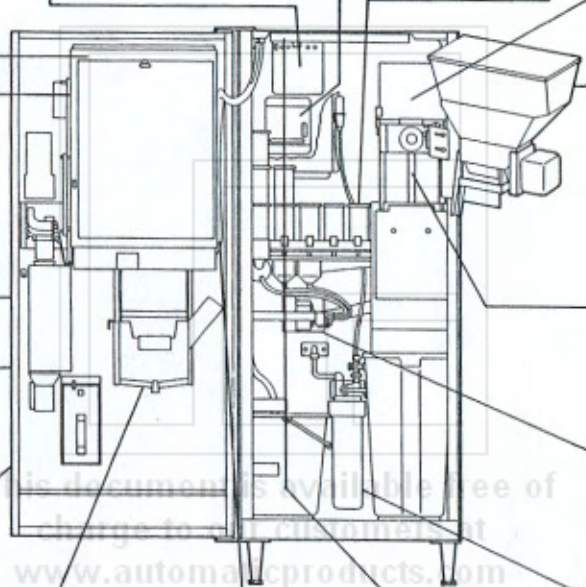
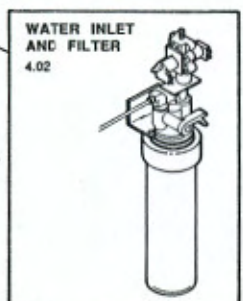
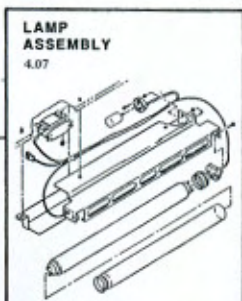
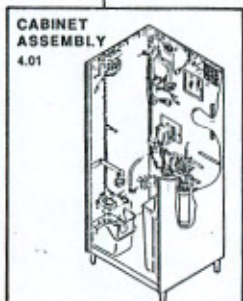
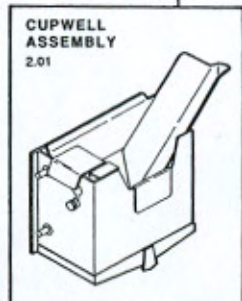
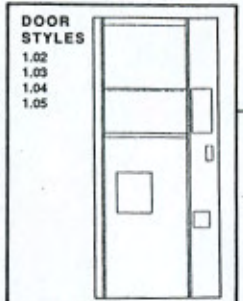
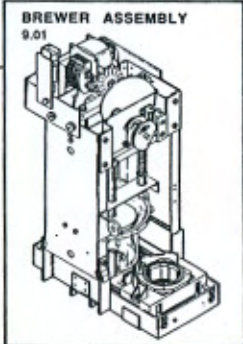
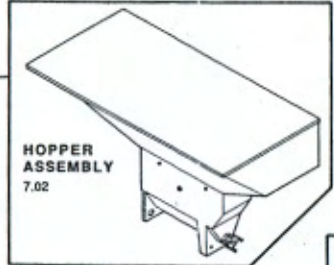
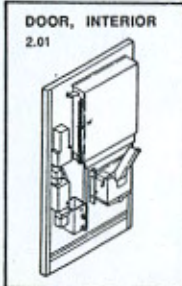
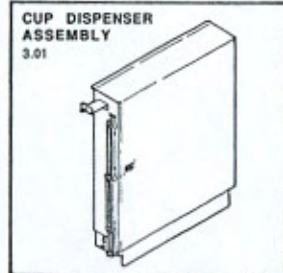
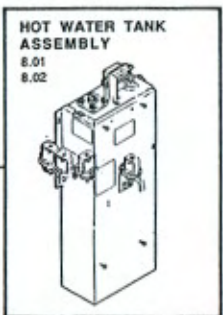
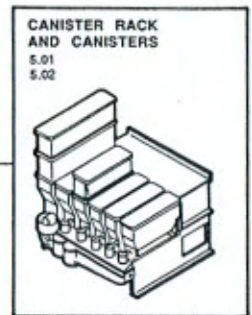
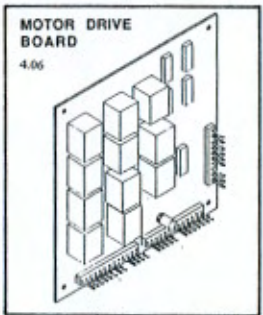
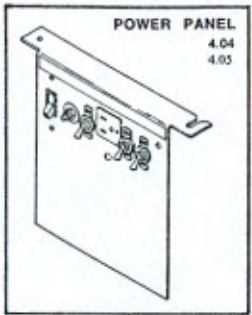
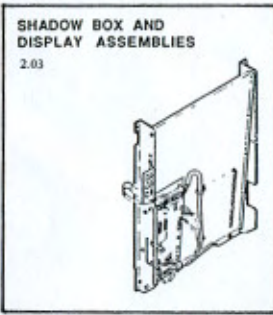


75 WEST PLATO BLVD. • ST. PAUL, MINNESOTA 55107-2095

To achieve the most trouble-free operation from your APi 211 Hot Beverage Merchandiser, it is recommended that this service manual be thoroughly read and the instructions followed pertaining to installation, servicing and maintaining of the unit.

Should you have any questions pertaining to this manual or the vendor, please contact your APi distributor or write directly to:

Technical Services Dept.
Automatic Products int'l, ltd.
Warminster, PA. 18974 USA
Phone 1 (215) 675-4200
Fax 1 (215) 441-4234



This document is available free of charge at www.automataproducts.com

**AP211
PARTS MANUAL
INDEX**

Door, Exterior	1.01
Door, Exterior, Coverplate III.....	1.02
Door, Exterior, Genesis	1.03
Door, Exterior, Tron	1.04
Door, Exterior, Eurostyle	1.05
Door, Interior	2.01
Door, Miscellaneous Interior Assemblies	2.02
Shadow Box Asm.....	2.03
Cup Dispenser Asm	3.01
Base Asm, Cup Dispenser.....	3.02
Cabinet Asm & Interior Items	4.01
Water Inlet Asm	4.02
Exhaust Blower Motor Asm	4.03
Power Panel Assembly.....	4.04
Power Panel Assembly, 211 Export.....	4.05
Relay / Motor Driver Board Asm	4.06
Miscellaneous Items Inside.....	4.07
Canister Rack Asm - LG	5.01
Canister Rack Asm - FD.....	5.02
Canister Assemblies.....	6.01
Tea Brewer Asm	6.04
Canister Asm, FB Tea	6.05
Bracket Asm, Coffee Hopper Swing-Out - LG	7.01
Canister Asm, Coffee Hopper - LG	7.02
Water Tank Asm - LG	8.01
Water Tank Asm - FD	8.02
Valve Asm, Brewer.....	8.03
Valve Asm, Commodity.....	8.04
Manifold Asm, Commodity Valves.....	8.05
Manifold Asm, 4 Valves, 211 Export	8.06
Brewer Asm	9.01
Brewer Main Frame Asm	9.02
Brewer, Front & Back Plate Asm	9.03
Brewer, Cylinder & Piston Asm.....	9.04
Brewer, Base Asm.....	9.05

HOW TO ORDER PARTS:

- 1) This parts manual is a combination of the APi 211 domestic and export part numbers. The text which are highlighted in **BOLD ITALICS** are only used in the APi 211E (export) model machine.
- 2) Locate the machines' assembly breakdown page in the front of the manual. Each assembly breakdown contains an item description and page location in the parts manual.
- 3) Determine part number(s) needed by referring to drawing of part. Locate an item number on the drawing and refer to this item number, part number, and description.
- 4) Complete your parts order, double check part numbers and quantities. Include a call back number in the event there is a question regarding your order. Fax, or mail your order to your authorized APi distributor or APi.
- 5) Specify how you would like your order to be shipped. If you do not specify, we will ship the most economical way. In the case of warranty replacements, we reserve the right to determine the method of shipment.

HOW TO USE THIS PARTS MANUAL

This parts manual is the combination of 211 domestic and export part numbers.

The text that is highlighted in **bold italics** is only used in the 211E (export) model machine.

This document is available free of charge to our customers at
www.automaticproducts.com

Should you have questions pertaining to this manual or the vendor, please contact your APi distributor or write directly to:

Technical Service Dept.
Automatic Products intl.
300 Jacksonville Road
Warminster, PA 18974
Tel: 215-675-4200
Fax: 215-441-4234

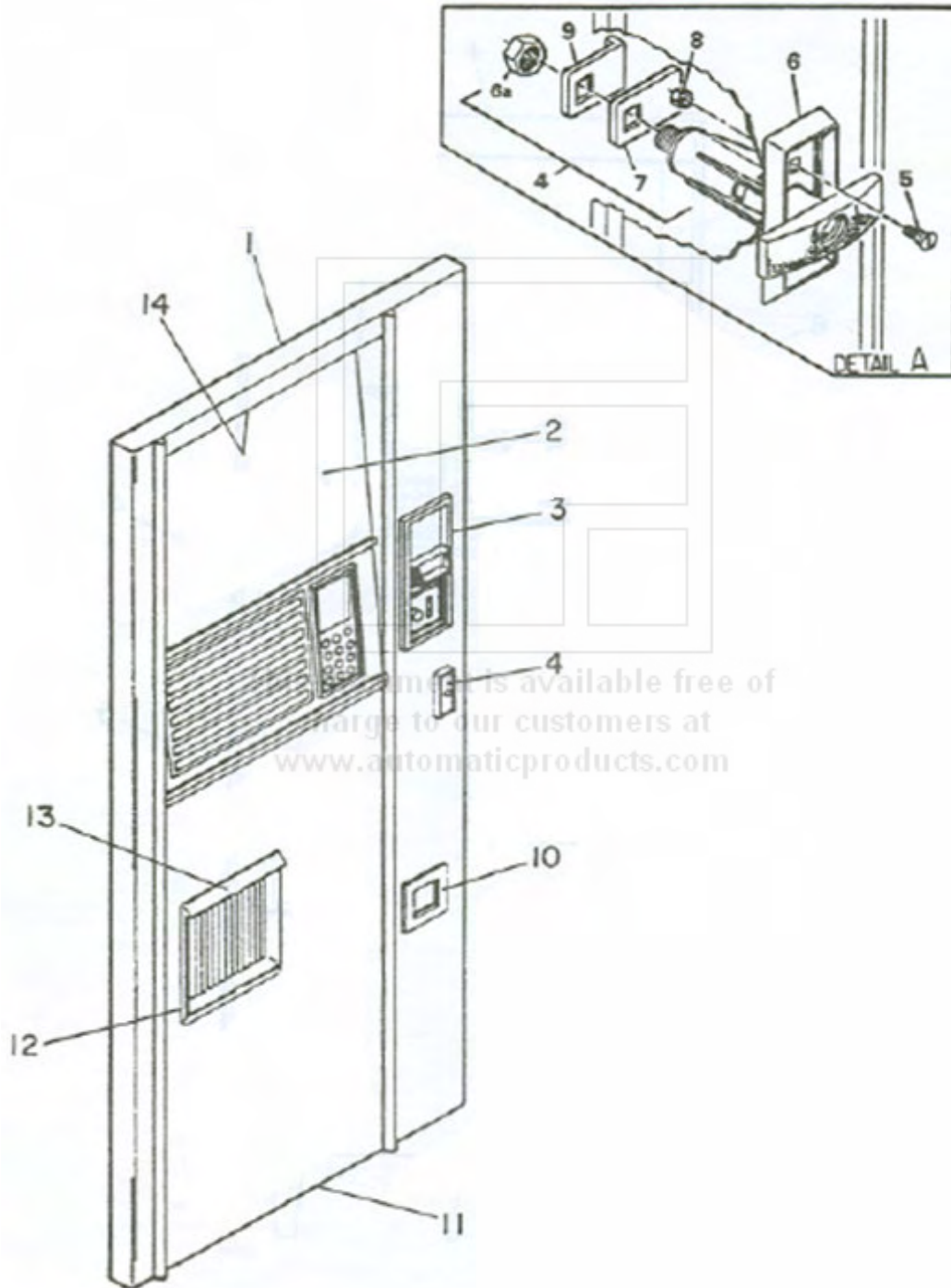
□ **1997 Automatic Products international, LTD**

This page intentionally left blank.

This document is available free of
charge to our customers at
www.automaticproducts.com

DOOR EXTERIOR

1.	35898	Door, Weld	7.	30453	Cam, Lock, Chicago #4266
1a.	37018	Door, Weld, Large Cupwell, 211E	8.	11750	Nut, 10-32 Kep, EXT LK WA, PL
1b.	35900	Door, Weld, Euro Style, 211E	9.	31825	Cam, Lock, Door
2.	36578	Shadow Box Asm.(See Section 2.03)	10.	44029	Bezel, Coin Return Cup, Black
3.	35698	Bezel, Coin/Val, Black,	10a.	32682-1	Bezel, Coin Return Cup, Gray
3a.	35698-1	Bezel, Coin/Val, Gray	11.	35770	Kick Plate Asm, Black (Not Shown)
4.	30460	Lock & Cam Asm, Chicago #4266	12.	440329	Bezel, Cupwell, Black
		(Includes Items: 5, 6, 6a, 9)	12a.	440329-1	Bezel, Cupwell, Gray
5.	00792	Screw, 10-32 x 1/2, Flat Head	13.	460453	Decal, Cupwell Bezel
6.	29922	Lock, Chicago #4266	14.	31887-	Lens, Lamp Diffuser
6a.	N/A	Nut (Part of Item 6 - Not Sold Separately)			

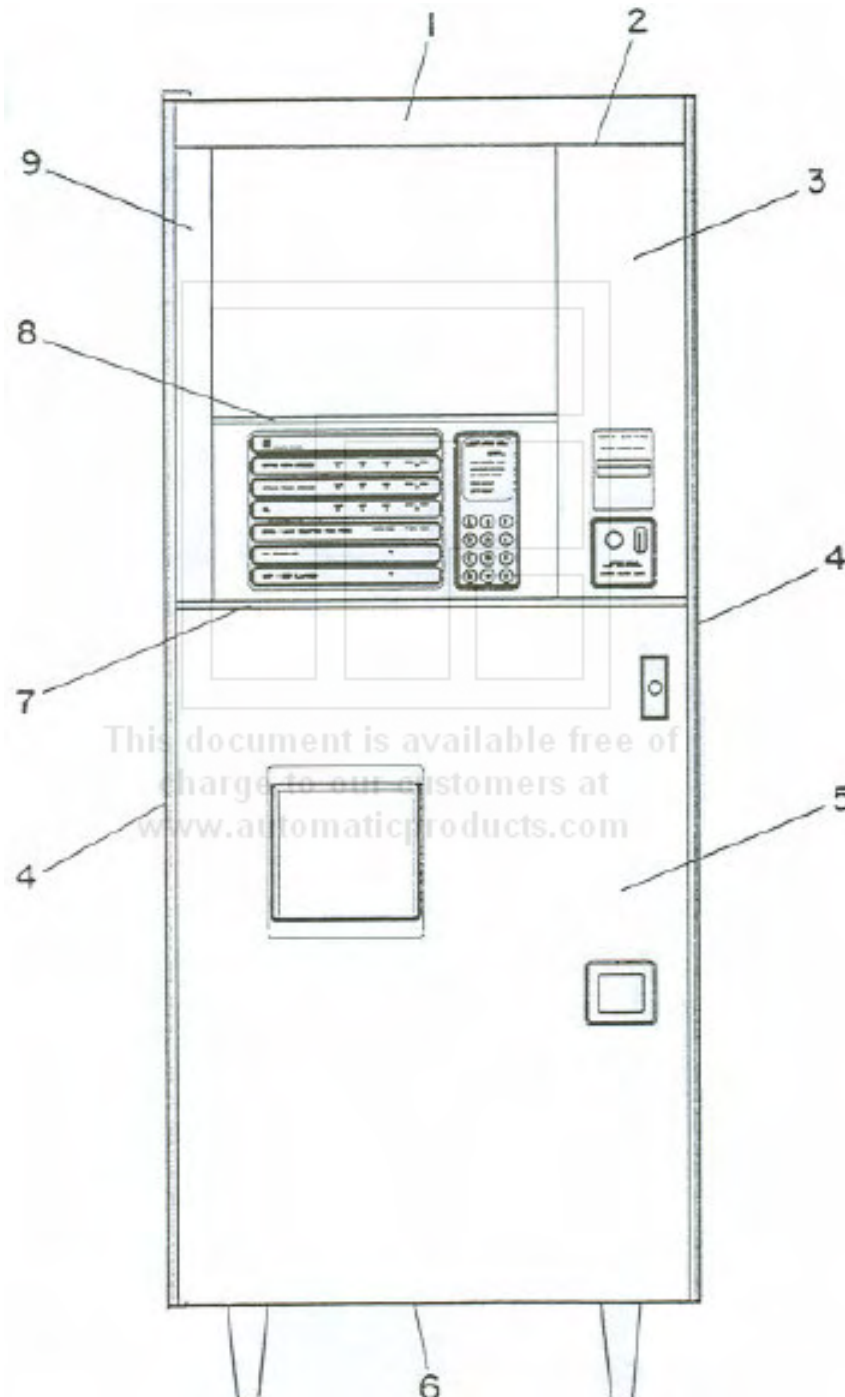


BACK

COVERPLATE III

1.	19375	Vinyl, Presidential Walnut	5a.	19376	Vinyl, Teak Honeytone
1a.	19376	Vinyl, Teak Honeytone	5b.	30397	Vinyl, Spanish Oak
1b.	30397	Vinyl, Spanish Oak	5c.	19377	Vinyl, Rosewood
1c.	19377	Vinyl, Rosewood	6.	35538	Trim, Panel Bottom
2.	32246-2	Trim, Door Top, Silver	7.	32248-2	Trim, Door Center, Silver
3.	35935	Jamb, R.H., w/Bezel Cutout, SS	8.	33634-2	Trim, Selector Panel, Silver
4.	29938	Trim, Vertical Door Edge, Silver	9.	35524	Jamb, Shadow Box, L.H., SS
5.	19375	Vinyl, Presidential Walnut			

(Door Bezels - See Manual Page 1.01)

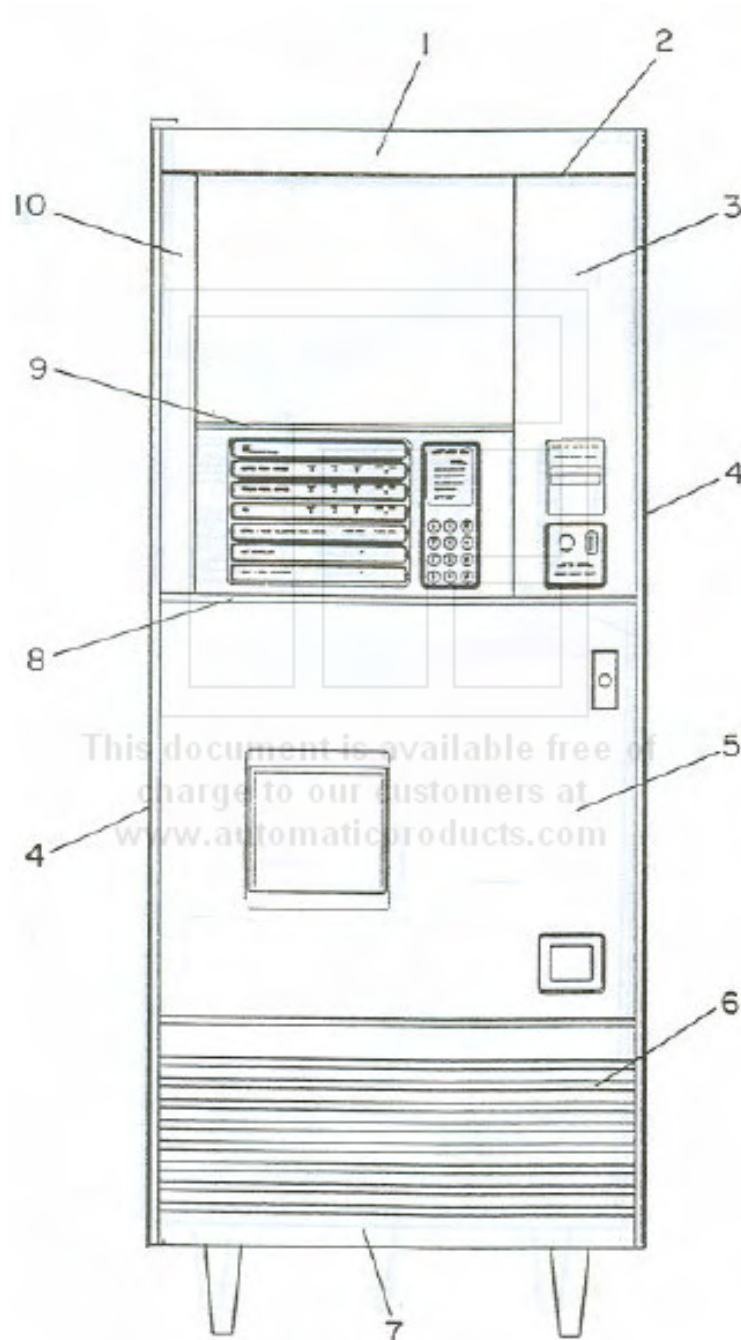


This document is available free of charge to our customers at www.automaticproducts.com

GENESIS STYLE

1.	35001-1	Panel Asm, Door Top, Black	5c.	36268-2	Vinyl, Brushed Stainless Steel
2.	32246-2	Trim, Door Top Channel	6.	34999-1	Panel, Door Btm, Blk/Silver
3.	35935	Jamb, R.H. with Bezel, SS			Stripes
4.	29938	Trim, Vertical Door Edge, Silver	7.	35538	Trim, Door Bottom
5.	30688	Vinyl, Sterling, (Sold by Ft.)	8.	32248-3	Trim, Horizontal, Black
5a.	36268	Painted Panel (Specify Color Selection.)	9.	33634-4	Trim, Selector Panel, Black
5b.	36268-1	Vinyl, Moroccan Gray	10.	35524	Jamb, Shadow Box, Left Hand, SS

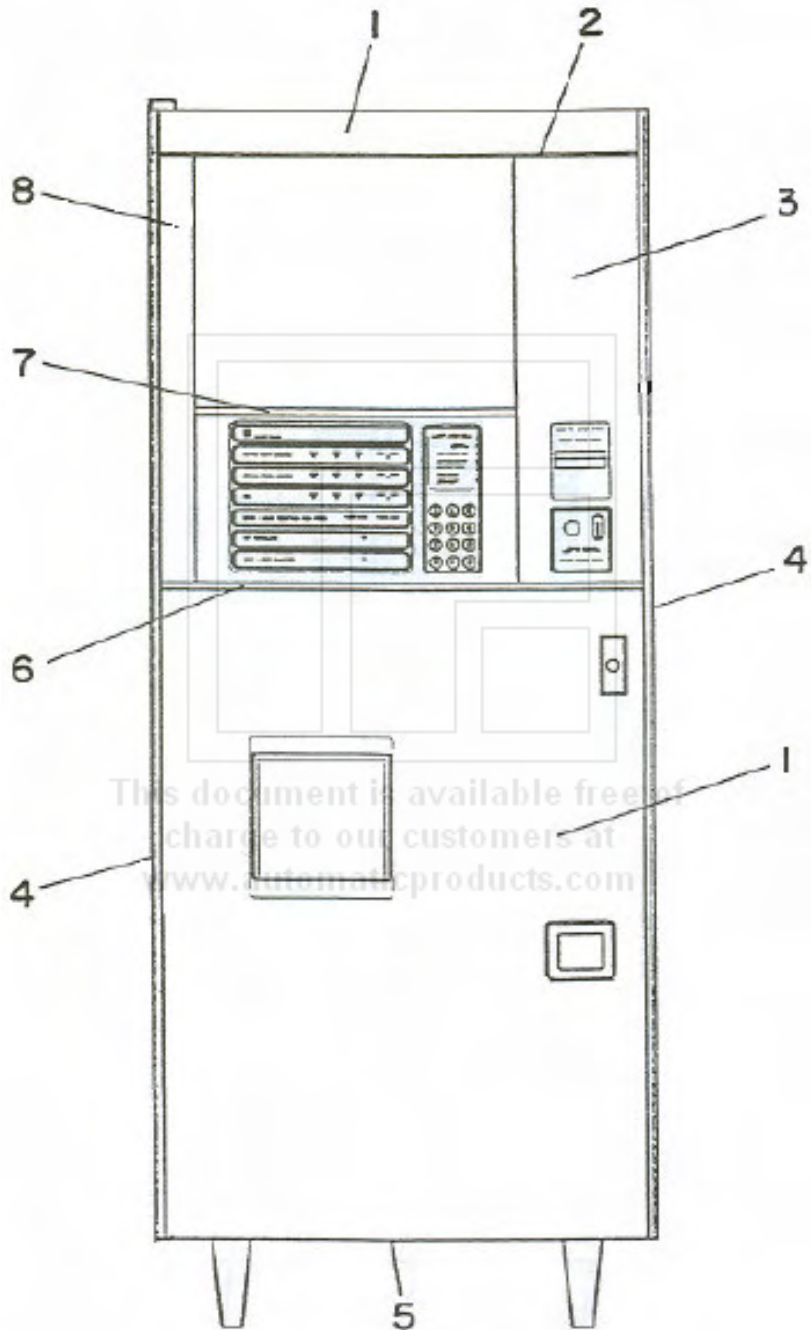
(Door Bezels - See Manual Page 1.01)



TRON II STYLE

<ul style="list-style-type: none"> 1. 33858 Vinyl, Dove Gray 2. 32246-2 Trim, Door Top, Silver 3. 35935 Jamb, R.H. W/Bezel Cutout, SS 4. 29940 Trim, Vertical Door Edge, Black 	<ul style="list-style-type: none"> 5. 35538 Trim, Panel Bottom 6. 32248-2 Trim, Door Center, Silver 7. 33634-2 Trim, Selector Panel, Silver 8. 35524 Jamb, Shadow Box, L.H., SS
--	---

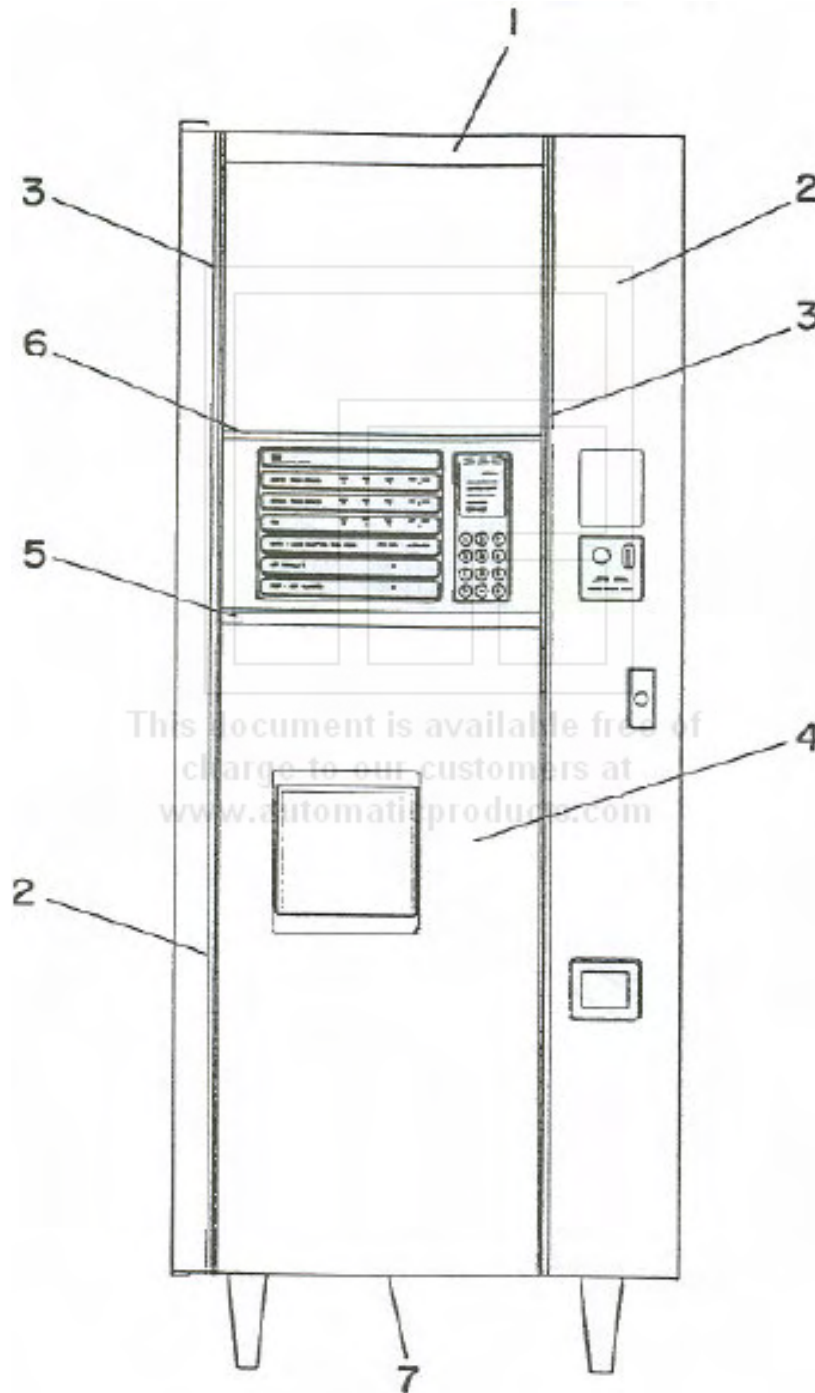
(Door Bezels - See Manual Page 1.01)



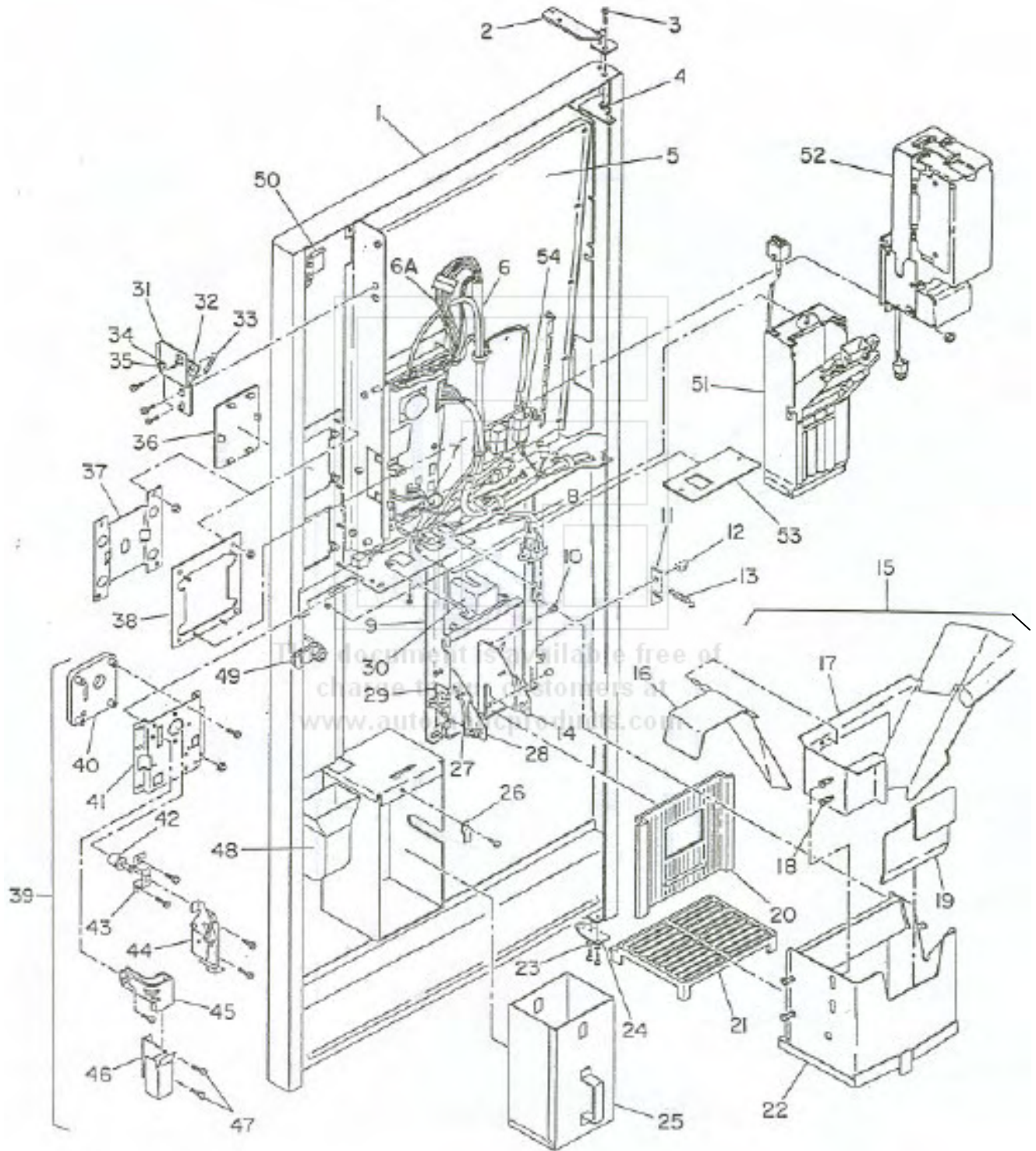
EURO / APOLLO STYLE

- | | | |
|------------|----------------|---|
| 1. | 32683-2 | Trim, Panel Top Header, Dark Gray |
| 1a. | 32683-5 | Trim, Panel Top Header, Black 211E |
| 2. | 35900 | Door Asm Weld, (Specify Avail. Color) |
| 3. | 35924 | Trim, Vertical Euro Style, Silver |
| 4. | 35622 | Cupwell Panel, Painted |
| 4a. | 37818 | Cupwell Panel, Euro General Foods |
| 5. | 35611 | Trim, Center, Gray |
| 6. | 33634-3 | Trim, Selector Panel, Gray |
| 7. | 37817 | Trim, Door Bottom General Foods |

(Door Bezels - See Manual Page 1.01)



INTERIOR DOOR SECTION

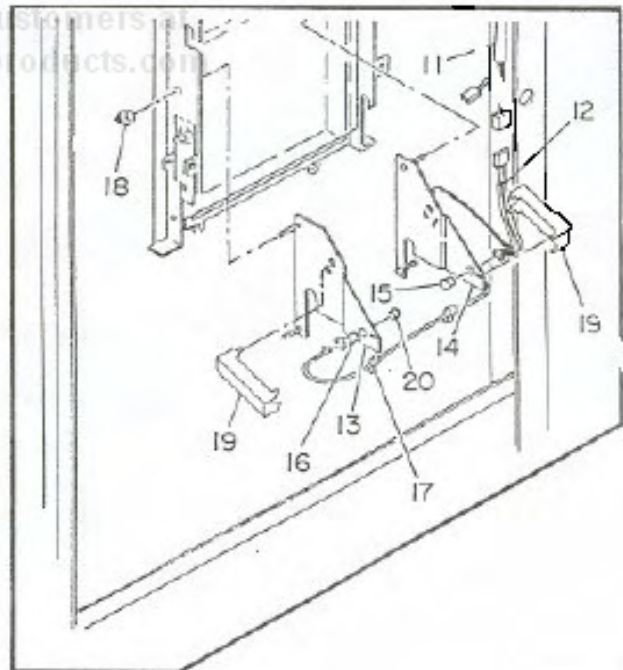
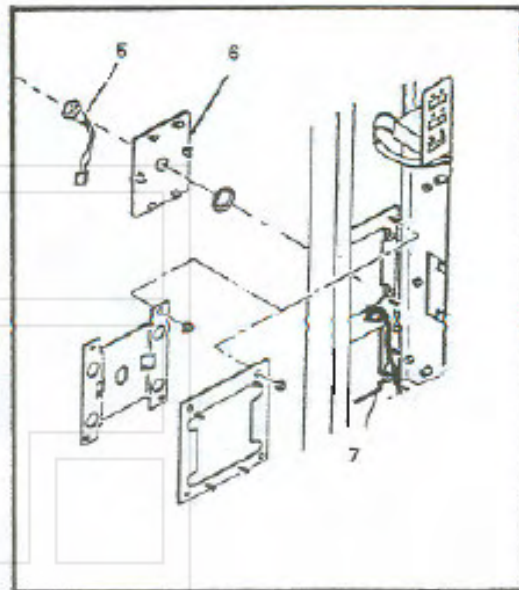
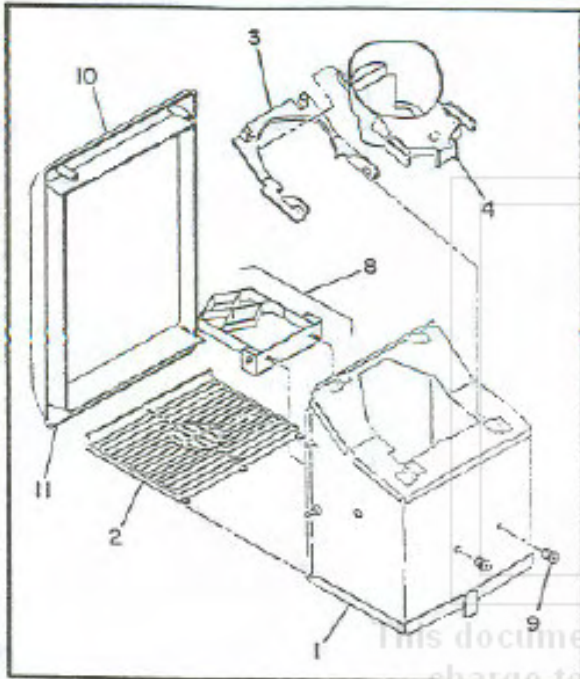


INTERIOR DOOR SECTION

1.	35898	Door Asm, Welded	33.	33711	Spring, Latch Asm.
1a.	35900	Door Asm, Welded, Euro Style, 211E	34.	21042	Nut, 8-32, Stop, SCP
2.	24605	Hinge Asm, Welded Top	35.	14491	Screw, 8-32 x 3/8, BH, S
3.	22181	Screw, 1/4-20 x 5/8, FH, Allen	36.	36074	Cover Validator, Style-Black
4.	12518	Nut, 1/4-20, Kep	36a.	36074-1	Cover Validator, Style-Gray
5.	36578	Shadow Box Asm. (See Shadow Box Parts Section)	37.	36569	Plate Bezel, Carafe/Validator
6.	35922	Harness, Door Interconnect	38.	35892	Bracket Asm, Validator Carriage
6a.	36082	Harness, Door Interconnect, 211E	39.	36006	Coin Insert Asm, Style-Black (Includes Items 40 Through 47)
7.	35920	Harness, Door 115v Coin Mech/Validator	39a.	36006-1	Coin Insert Asm, Style-Gray (Includes Items 40 Through 47)
8.	35510	Harness Coin Mech	39b.	36006-2	Coin Insert Asm, Gray, (Australia)
8a.	35864	Executive Coin Mechanism Harness 211E	40.	440290	Coin Entrance Trim, Style-Black
9.	36476	Door Dampener, Retro Fit Kit (Optional - Not Shown)	40a.	440290-1	Coin Entrance Trim, Style-Gray
10.	05625	Nut, 8-32, Knurled, AL	40b.	37211	Coin Entrance Trim Grey, 211E (A.H.)
11.	33820-1	Catch, Cupwell, LHD	40c.	35765-4	Label, Coin Insert, 211E, Dutch
12.	05682	Nut, 1/4, Push On	40d.	35765-5	Label, Coin Insert, 211E, Spanish
13.	09023	Spring, Cupwell Catch	40e.	35209	Label, Coin Insert, 211E, Canada, Brn
14.	35100	Bracket, Cup Sensor, LHD	40f.	35765-3	Label, Coin Insert, 211E, German, Gray
15.	34547	Cupwell Asm, Complete (Includes Items 16 Through 22)	40g.	35765-4	Label, Coin Insert, 211E, Dutch,
16.	12539	Retarder, Cup Chute	40h.	33327	Labels Coin, Insert & Rej, English, Brn
17.	34538	Chute & Retarder Asm	40i.	33328	Labels Coin, Insert & Rej, Dutch
18.	28441	Nut, 8-32, Knurled, Brass	40j.	33329	Label Coin, Insert & Rej, German, Brn
19.	35983	Spacer, Mug Cup Sensor	40k.	33329-1	Label Coin, Insert & Rej, German, Gray
20.	19290	Door, Cupwell Molded	41.	35488	Bracket, Coin Return Mount
21.	19773	Grill, Cupwell	42.	440289	Button, Coin Return
22.	36332	Cupwell Asm.	43.	201660	Bracket, Coin Return
23.	27813	Washer, Door Hinge	44.	37302-1	Return Asm, Coin W/Notch
24.	18159	Hinge Asm, Weld Bottom	45.	440311	Chute, Coin
25.	600179-1	Box Asm, Coin Weld	46.	35709	Chute Asm, Coin Changer
26.	28473	Clip, Canister Cover	47.	14806	Screw, 8-32 x 3/8, HH, SD, ZP
27.	35059	Harness Asm, Cup Sensor	48.	33614	Cup Asm, Coin Return
28.	35100-1	Bracket, Cup Sensor, RHD	49.	31825	Lever, Cam Lock Door
29.	33820	Catch, Cup weld, RHD	50.	33674	Actuator, Interlock Switch, 211E
30.	35669	Cover, Coin Mech Receptacle	51.		Coin Mechanism
31.	35964	Bracket, Weld	52.		Bill Validator
32.	35967	Lever, Bracket Latch	53.	35665	Coin Mechanism Harness Plate
			54.	37637	Relay, Asm Solid State, Tea Brew/CWS

MISCELLANEOUS DOOR INTERIOR ASSEMBLIES

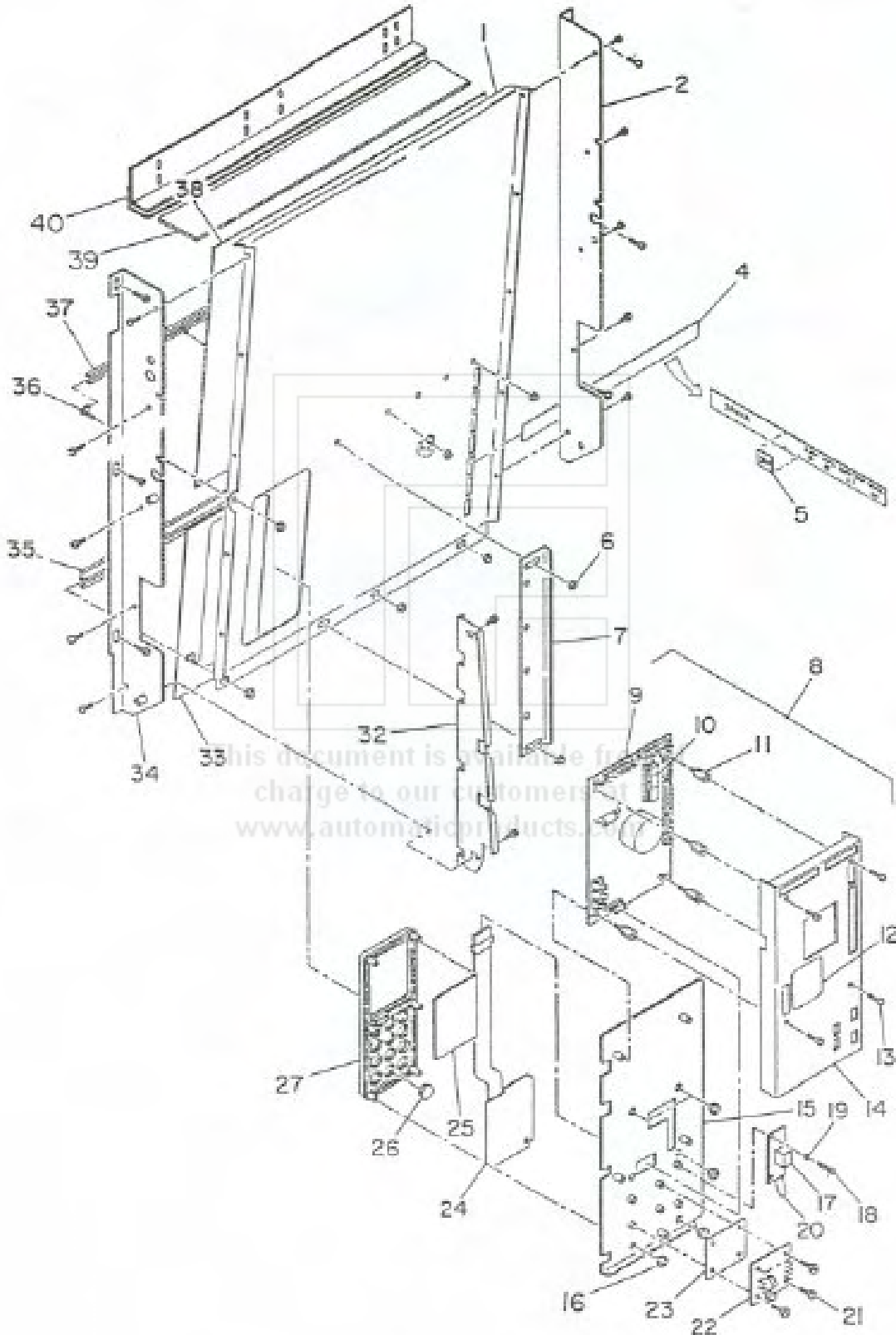
- | | | | | | |
|-----|---------|---|-----|---------|---------------------------------------|
| 1. | 37044 | Cupwell Asm, Weld, Lrg, 211E | 11. | 35928 | Harness Door Interconnect, Cup Sensor |
| 2. | 440337 | Grill, Large Cupwell, 211E | 12. | 35059 | Harness Assembly, Cup Sensor |
| 3. | 34681-1 | Cup Catch Holder Molded Grey, 211E | 13. | 35100 | Bracket Assembly, Cup Sensor (LHD) |
| 4. | 34680-1 | Cup Catch Holder 7oz Tall 211E | 14. | 35100-1 | Bracket Assembly, Cup Sensor (RHD) |
| 5. | 37690 | Switch & Key Asm, Carafe, 211E | 15. | 35245 | Lens, Red Modified |
| 5a. | 34063-1 | Key, For Switch, 211E | 16. | 35430 | Sleeve, Cup Sensor |
| 6. | 36074-2 | Cover Panel, Carafe, W/Hole, Gray, 211E | 17. | 29485 | Clamp Cable, Gray 1/2 in |
| 6a. | 36074-3 | Cover Panel, Carafe, W/Hole, Blk, 211E | 18. | 21042 | Nut 8-32, Stop SCP |
| 7. | 36084 | Harness, Carafe Switch, 211E | 19. | 202134 | Cover, Cup Sensor |
| 8. | 37601 | Cup Shelf Asm Complete 211E | 20. | 380268 | Lens, Clear Cup Sensor |
| 9. | 28441 | Nut 8-32 Kn., Br. (Item part of 37601) | | | |
| 10. | 37017 | Bezel, Cupwell, Large Gray | | | |



This page intentionally left blank.

This document is available free of
charge to our customers at
www.automaticproducts.com

211 SHADOW BOX ASSEMBLY

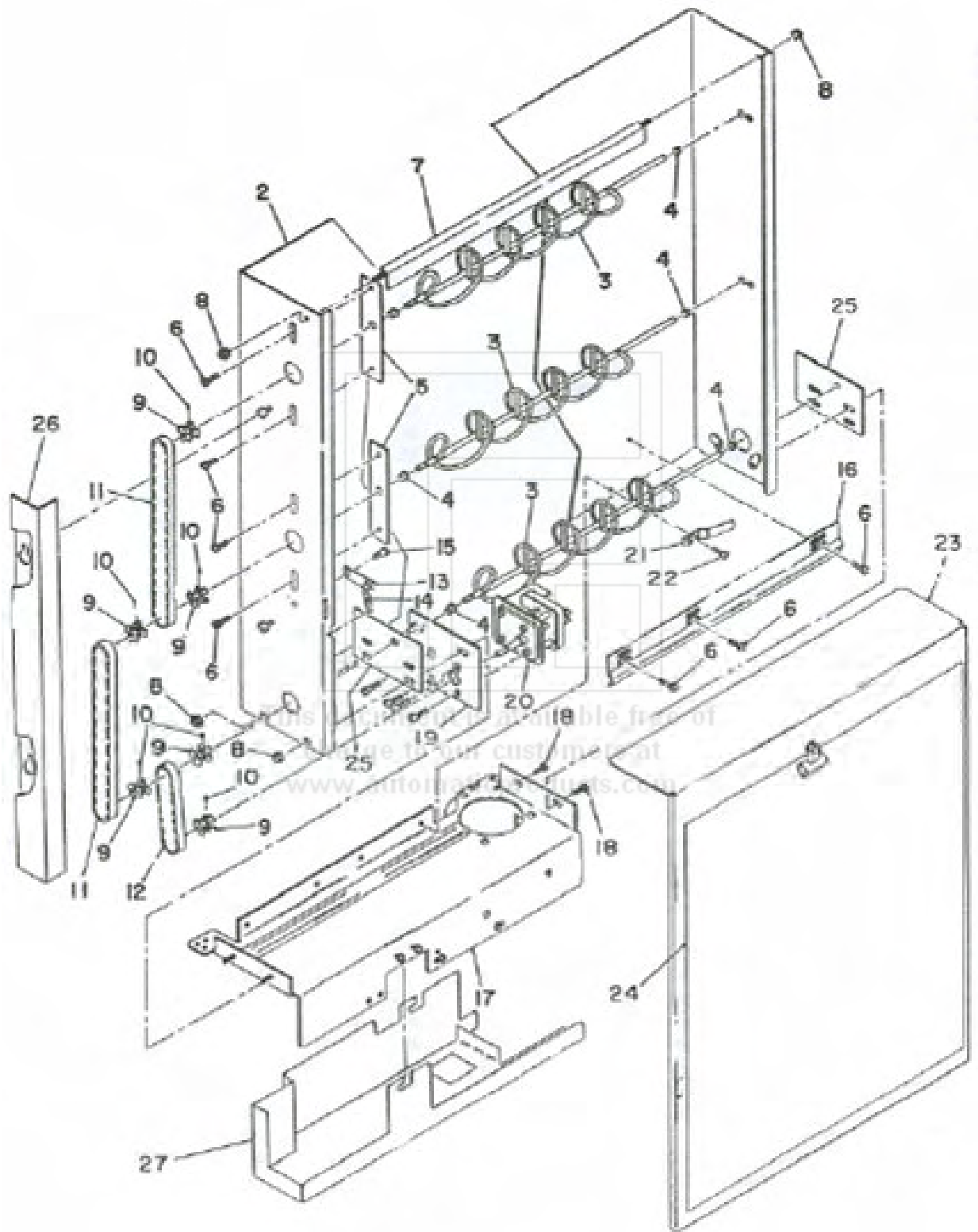


This document is available for
change to our customers at
www.automaticelectronics.com

211 SHADOW BOX ASSEMBLY

1.	35553	Panel, Shadow Box	10.	35884	EPROM, Program IC (Specify Ver. W/ Part #)
2.	35524	Jamb, Left Hand, Style-Stainless Steel	10a.	37742-x	EPROM, Program IC MDB (Specify Ver. W/ Part #)
2a.	35494-2	Jamb, Left Hand, Style-Euro	11.	300182	Stand-Off, Board Cover
3.	14806	Screw, 8-32 x 3/8, HH, ZP, SD	12.	36021	Decal, Mode Switch
4.	35562	Label Set, Flavors, English	13.	13154	Screw, 6-32 x 1/4, HH, SD
4a.	37472	Label Set, Selection General Foods	14.	37310	Cover, Master Module decal (USA or L+ Coin Mechanism)
4b.	37769	Label Set, Selection 211E Holland	14a.	37625	Cover, Master Module -(W/MDB)
4c.	36219	Label Set, Flavor, Dutch	15.	35973	Plate Asm, Master Module
4d.	36720	Label Set, Flavor, Dutch/France	16.	18443	Nut, 1/4, Pal, SP
4e.	36048	Label Set, Flavor, German	17.	37673	Relay, Asm Solid State, Tea Brew/CWS
4f.	36563	Label Set, Flavor, Spanish	17a.	36209	Harness, Fresh Brew Tea Input
5.	32839	Label Set, Prices	18.	14491	Screw, 8-32 x 3/8, BH, SD, ZP
5a.	37338	Decal Set, Clear, Selection & Price - GF	19.	19510	Washer Flat, Nylon
5b.	33323	Labels Set, Single Price, Holland	20.	36209	Harness, Tea Brew
5c.	33324	Labels Set, Single Price, Brn, German	21.	35855	Screw, 8-32 x 1/4, Nylon
5d.	33326	Label Set, Multi Price, German	22.	360109	Board, Power Coin Mech, 115 Volt
6.	11749	Nut, 8-32, Kep	23.	35664	Insulator, 110V Power Board
7.	35972	Bracket, Left Hand Hold Down	24.	36009	Switch Asm, Selector Membrane
8.	36007	Master Module Asm, Style-Black	25.	440316	Label Instr., Digital Window (US Only)
<i>(Items 8 through 8w will include Items: 9 Thru 27)</i>					
8a.	36007-1	Master Module Asm, Style-Gray	25a	440352	Label Instructions, Danish
8b.	36175	Master Module Asm, Export	25b.	440320	Label Instructions, German
8c.	36175-1	Master Module Asm, 211E German	25c.	440369	Label Instructions, Spanish
8d.	36175-2	Master Module Asm, 211E Dutch	25d.	440317	Label Instructions, G. Britain
8e.	36175-3	Master Module Asm, 211E Spanish	25e.	440384	Label Instructions, Hebrew
8f.	36175-4	Master Module Asm, 211E Turkish	25f.	440321	Label Instructions, Dutch/French
8g.	36175-5	Master Module Asm, 211E Hebrew	26.	440304	Button, Selector (12 Required)
8h.	36175-6	Master Module Asm, 211E Dutch/French	27.	35472	Selector Trim, Style-Black
8i.	36176	Master Module Asm, 211 Export FBT	27a.	35472-1	Selector Trim, Style-Gray
8j.	36176-1	Master Module Asm, 211E German FBT	32.	35971	Bracket, Right Hand Hold Down
8k.	36176-2	Master Module Asm, 211E Dutch FBT	33.	35525-1	Panel, Selection Label, Black
8l.	36176-3	Master Module Asm, 211E Spanish FBT	33a.	35525-2	Panel, Selection Label, Gray, Style-Euro
8m.	36174-4	Master Module Asm, 211E Danish FBT	34.	35935	Jamb, RH, W/Bezel, Style-Stainless
8n.	36176-5	Master Module Asm, FBT Gray Dutch/French	34a.	35494-1	Jamb, Right Hand, Style-Euro
8o.	36610	Master Module Asm, 211E Danish Black	35.	32248-2	Trim, Door Center, Style-Stainless Steel
8p.	36610-1	Master Module Asm, 211E Spanish Black	35a.	32248-3	Trim, Door Center, Style-Black
8q.	36610-2	Master Module Asm, 211E English Black	36.	14832	Screw, 6-32 x □, Weld Fitting
8r.	36610-3	Master Module Asm, 211E German Black	37.	33634-2	Trim, Selector Panel, Style-Silver
8s.	37681	Master Module Asm, 211 Dom Blk FBT	37a.	33634-3	Trim, Selector Panel, Style-Gray
8t.	37681-1	Master Module Asm, 211 Dom Gry FBT	37b.	33634-4	Trim, Selector Panel, Style-Black
8u.	37684	Master Module Asm, 211E Dan Blk FBT	38.	30793	Artwork, Coffee Bean No Letters, Beige
8v.	37684-1	Master Module Asm 211E Span Blk FBT	38a.	30849	Artwork, Coff. Bean With Letters, Beige
8w.	37684-2	Master Module Asm 211E Eng Blk FBT	38b.	33467-4	Artwork, Mug and Donut with letters
9.	37628-1	Board, Logic Universal MDB (new)(large cap.)	38c.	35683-1	Artwork, Cups and Pots (Style-Euro)
9a.	37628-3	Board, Logic Universal MDB (repaired)(large cap.)	38d.	37470	Artwork, Pedestal
9b.	35919-1	Board, Logic Control (new) (2 blk heat sinks)	38e.	36717	Artwork, Red Pelican Export Holland
9c.	35919-3	Board, Logic Control (repaired) (2 blk heat sinks)	38f.	37473	Artwork, General Foods
9d.	35918-1	Board, logic Export (new) (1 blk heat sink)	39.	31887-1	Diffuser, Lens
9e.	35918-3	Board, logic Export (repaired) (1 blk heat sink)	40.	35536	Bracket Asm, Diffuser

CUP DISPENSER

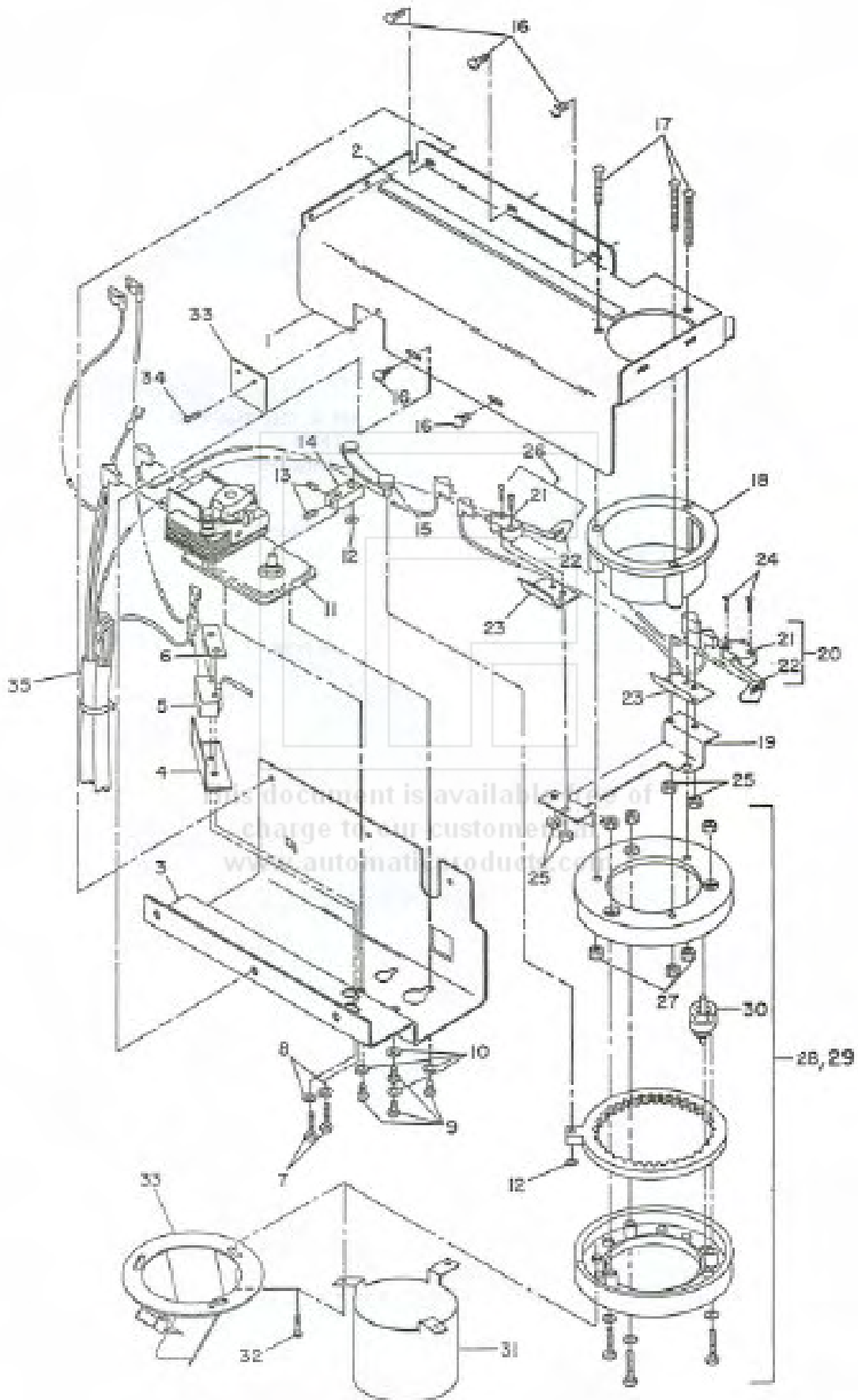


CUP DISPENSER

	35586	Cup Dispenser Asm, 7 - 8 1/4 oz, Complete
	36597	Cup Dispenser Asm 7-oz Tall 211E
	36598	Cup Dispenser Asm, 7 oz Adjustable 211E
1.	31179	Spiral Asm (Incl. Items 2-16,25)
2.	31105	Wrapper Only, Welded
3.	31101	Spiral, Cup
4.	16058-9	Nyliner, 4L1FF
5.	16659	Plate, Adjusting
6.	14487	Screw, #8-32 x 1/4 PHM
7.	18557-1	Stiffener, Wrapper
8.	11749	Nut, Kep, #8-32
9.	12493	Pulley Asm (Incl. Item 10)
10.	14807	Screw, Set, #10-32 x 3/16
11.	13795	Belt, Timing (22" long)
12.	10213	Belt, Timing (10" long)
13.	16689	Latch, Door
14.	14435	Spring, Door Latch
15.	16769	Rivet Shoulder
16.	31177	Guide, Cup
17.	35588	Base Asm, 7 - 8 1/4 oz. (See Page 3.02)
18.	14491	Screw, #8-32 x 3/8 PHM
19.	28470	Bracket, Mounting, Spiral Motor
20.	12203	Motor, Spiral
21.	18173	Guide, Cup, Bottom
22.	16748	Screw, #8-32 x 3/4 PHM
23.	31100	Door Only, Welded
24.	35858	Schematic & Notes
25.	26060	Plate, Adapter
26.	37499	Cover, Belts 211E
27.	37498	Cover, Cup Dispenser 211E

This document is available free of
charge to our customers at
www.automaticproducts.com

BASE ASSEMBLY – CUP DISPENSER

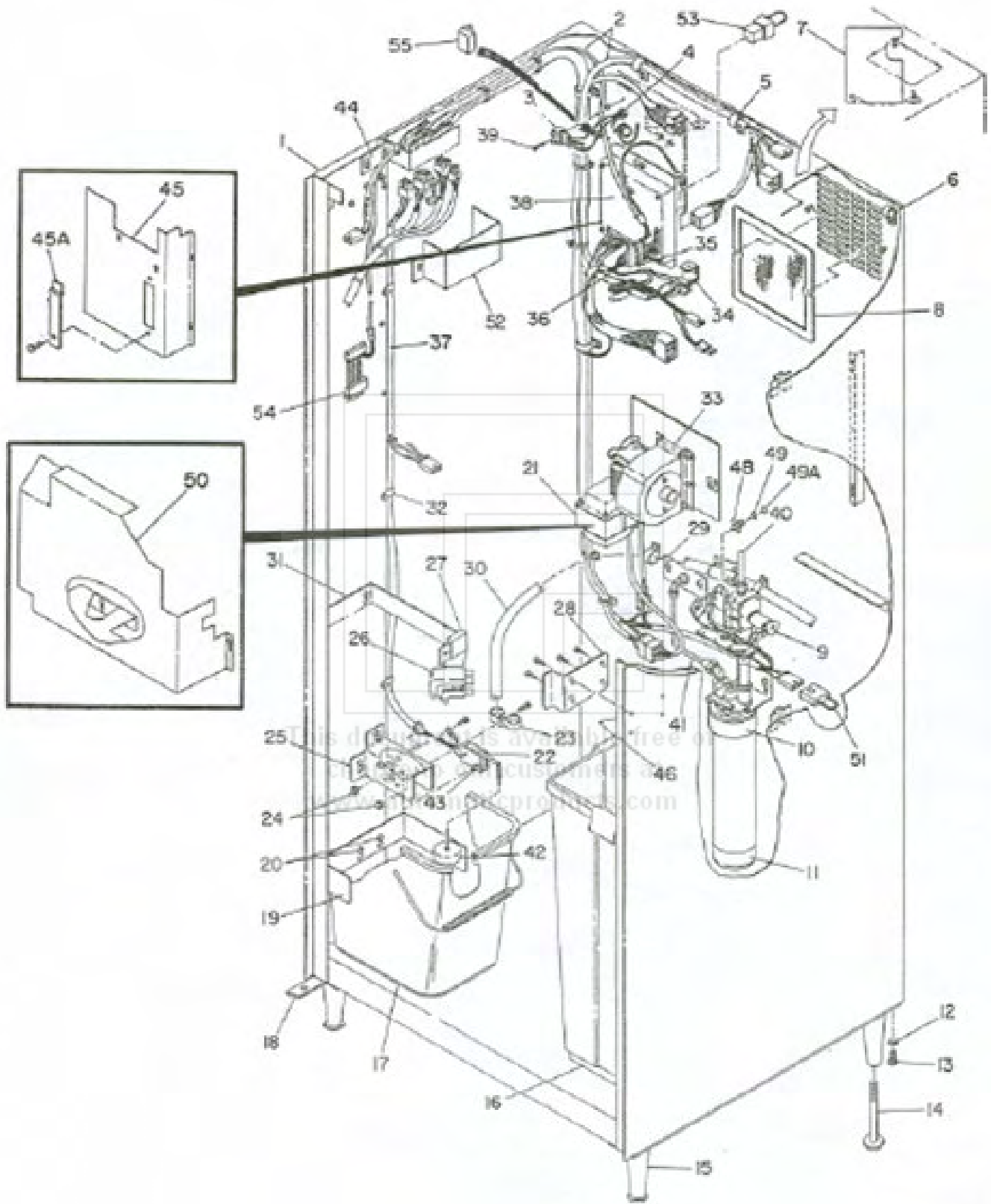


BASE ASSEMBLY - CUP DISPENSER

	35588	Base Assembly, Complete, 7-oz Squat, 8-1/4-oz
	36599	Base Assembly, Complete, 211E 7OZ Tall
	36600	Base Assembly, Complete, 211E ADJ
1.	31109	Base Asm, Welded
2.	18546-1	Track, Snap-On
3.	16671	Bracket, Cup Motor & Switch
4.	17049	Insulation, Switch
5.	17081	Switch, Cup Drop
6.	01179	Nut, 6-32, Twin-Speed
7.	05688	Screw, 6-32 x 1 1/4, RH, M
8.	00826	Washer, Flat, #6, SCP
9.	14487	Screw, 8-32 x 1/4 PH
10.	00961	Washer, Flat, #8, SCP
11.	16038	Motor, Cup Drop, 30 RPM
12.	04112	Nuts, 3/16, Push-On
13.	03272	Screw, 8-32 x 3/16, SK Set
14.	15450	Arm, Motor
15.	16657	Rod, Connecting
16.	14491	Screw, 8-32 x 3/8, PH, M
17.	16337	Screw, 10-32 x 2 1/4, SCP
18.	16701	Throat, Cup
19.	38233	Bracket Asm, Index / Sold Out Switches
20.	23370	Switch Asm Index (Incl. Items 21 & 22)
21.	22726	Switch (Sold only as part of Switch Asm)
22.	22727	Actuator, Switch
23.	22728	Insulation, Index Switch
24.	23369	Screw, 4-40 x 5/8, RH, M, Nylon
25.	22849	Nut, 4-40, Kep
26.	23371	Switch Asm, Sold-Out (Incl. Items 21 & 22)
27.	11750	Nut, 10-32, Kep, Ext Lock Washer
28.	16012	Cup Separator, 7H, 7 - 8.25 OZ.
29.	20108	Cup Separator, 7-C (211 Export Only)
30.	19361	Gear, Worm, 7 oz Cup
31.	23752	Chute, Cup, Anti-Theft
32.	26572	Screw, #14 x 3/8, PH, SD, Type F (3 required)
33.	34398	Chute Asm, Cup Drop WLD
34.	14806	Screw, 8-32 x 3/8, HH, ZP, SD, WA
35.	36566	Harness, Cup drop

The cost of shipping is free of charge to our customers at
www.automaticproducts.com

CABINET AND INTERIOR ITEMS

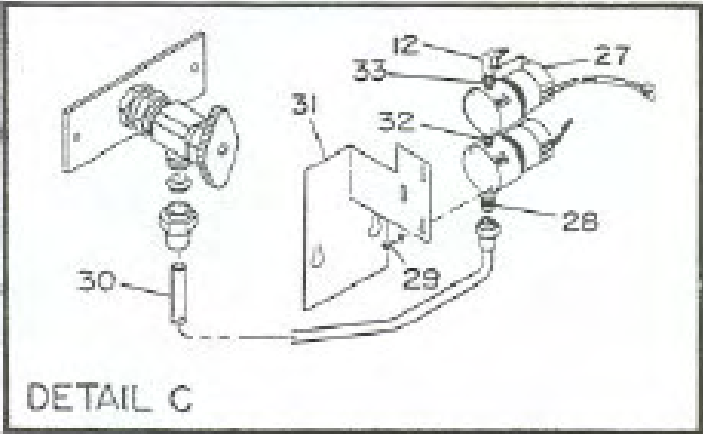
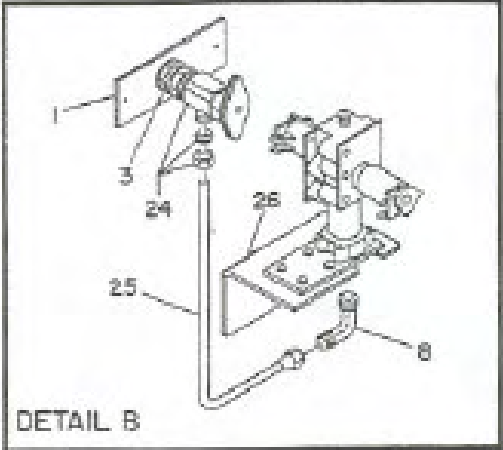
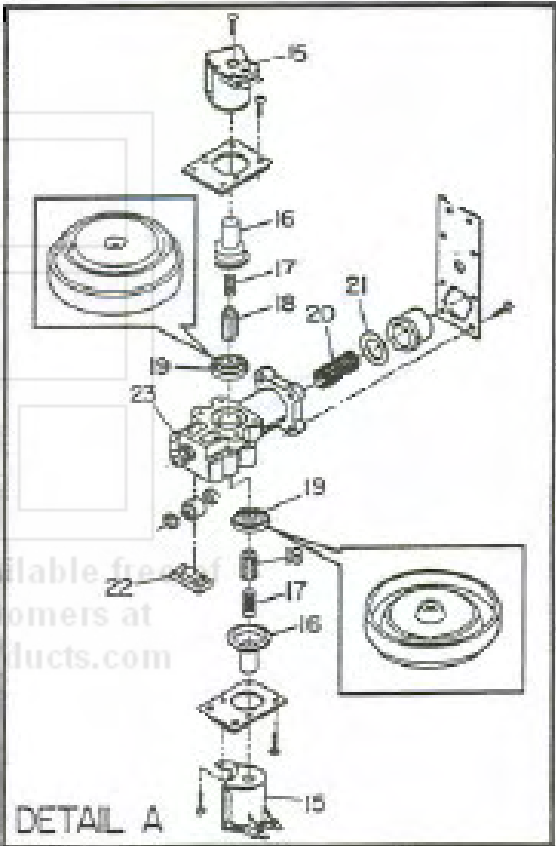
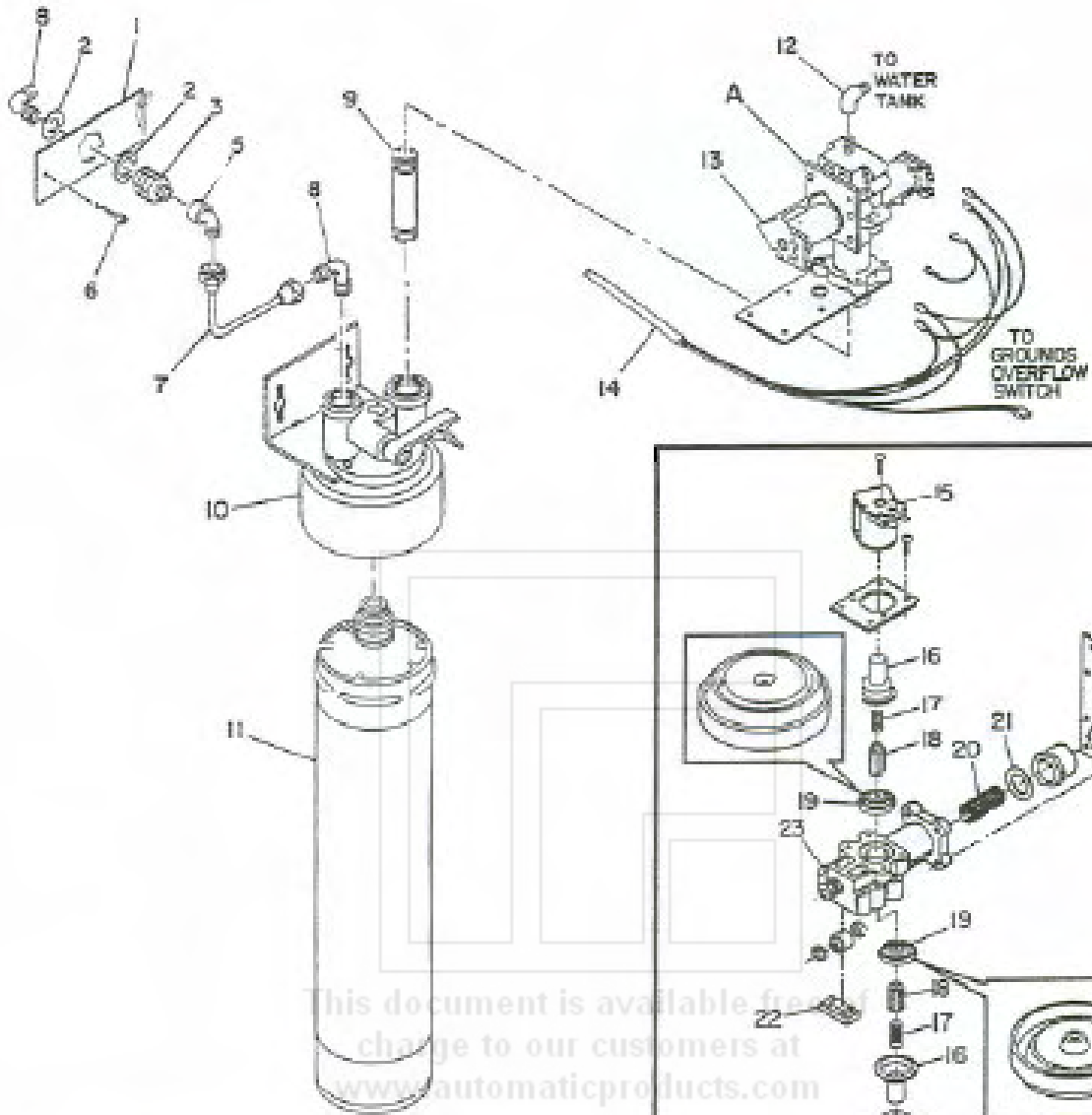


CABINET AND INTERIOR ITEMS

1.	35531	Cabinet Asm, Welded	33.	35130	Motor Asm, Blower W/Inlet (See Page 4.03)
1a.	36131	Cabinet Asm, Welded, 211E	34.	27034	Relay, Power SPDT 120 VAC (Vend Enable Relay)
2.	36565	Main Harness, Cabinet		30843	Snubber Asm, Relay
2a.	36088	Main Harness, Cabinet, 211E	35.	35927	Harness, Cabinet, Cup Sensor
3.	380285	Terminal Strip, 2 position	36.	35923	Harness, Interconnect
4.	27003-4	Cord Asm, Power	37.	35556	Harness, Cabinet, Overflow Switch & Humidity Bar
4a.	36251	Cord Asm, Power, European, 3 Meters, 211E	38.	36010	Coffee Driver Board Asm.
5.	34802-1	Clip, Wire Harness 1"	39.	01106	Screw, 6-32 x 1/2, RH, TP
6.	34802-2	Clip, Wire Harness 5/8"	40.	36826	Tube Asm, Filter to Tank, Stainless Steel, LG (After S/N 55206)
7.	35533	Cover Heater Opening	40a.	36736	Tube Asm, Filter to Tank, Stainless Steel, FD (After S/N 55206)
8.	14189	Screen, Exhaust, Cabinet	40b.	25188	Tube Asm, Filter to Tank, Rubber, LG & FD (Before S/N 55207)
9.	360146	Valve, Water Inlet, N-42	41.	18790	Tube Asm, Inlet-Filter
10.	35999	Filter Head & Ring Asm (Everpure)	42.	34106	Float Asm, Waste Bucket
11.	16991	Cartridge, Filter, (Everpure)	43.	21193	Screw, 4-40 x 3/4, RH
12.	05979	Washer, Lock, 3/8 Split	44.	35563	Bracket Asm, Plug Junction Box
13.	07444	Bolt, Leg	44a.	36107	Bracket Asm, Plug Junction Box, 211E
14.	300103	Leveler, Leg	45.	35649	Cover Panel, Relay & Breakers
15.	32078	Leg Asm RHD	45a.	36128	Cover Panel, Relay & Counters, 211E
16.	31440	Bucket, Grounds (LG)	46.	33807	Bracket Asm, Overflow Switch (See Page 4.07)
17.	37757	Bucket, Waste	47.	34678	Tube, Overtemperature Thermostat, 211E
18.	32077	Leg Asm LHD w/Hinge	48.	36573	Thermostat, Safety, Overflow Hose, 150 F, 211E Only
19.	30973	Bracket, Bucket	49.	28521	Washer Flat, 1/16"
20.	14806	Screw, 8-32 x 3/8, HH, SCP	49a.	34634-1	Washer Flat, 1/4"
21.	35517	Transformer, Wired 211	50.	36130	Cover Panel, Transformer & filter
21a.	34964	Transformer Asm, W/Harness, 211E	51.	34965	Jumper, Grounds Bucket Switch (Freeze Dried Only)
22.	380273	Switch, Float	52.	35566	Junction Box Cover 211E
23.	17784	Clamp, Cable, 1", Plastic	53.	36033	Jumper, Freeze Dried Machine Only
24.	11749	Nut, 8-32, Kep	54.	37216	Harness, Shielded Interconnect
25.	15573	Bracket, Overflow Switch	55.	29003	EMI Filter
26.	33788	Spout, Commodity, Molded	NS.	27003-4	Power Line cord
27.	35883	Clip Bracket, Spout Retaining, Molded			
28.	30459	Latch, Door Lock			
29.	26444	Plate, Retainer Water Inlet			
30.	35666	Hose, Overflow			
31.	34922	Bracket, Commodity Spout			
32.	17587	Clamp, Cable, 3/8" Plastic			

This document is available for
charge to our customers at
www.automatedparts.com

WATER INLET ASSEMBLY



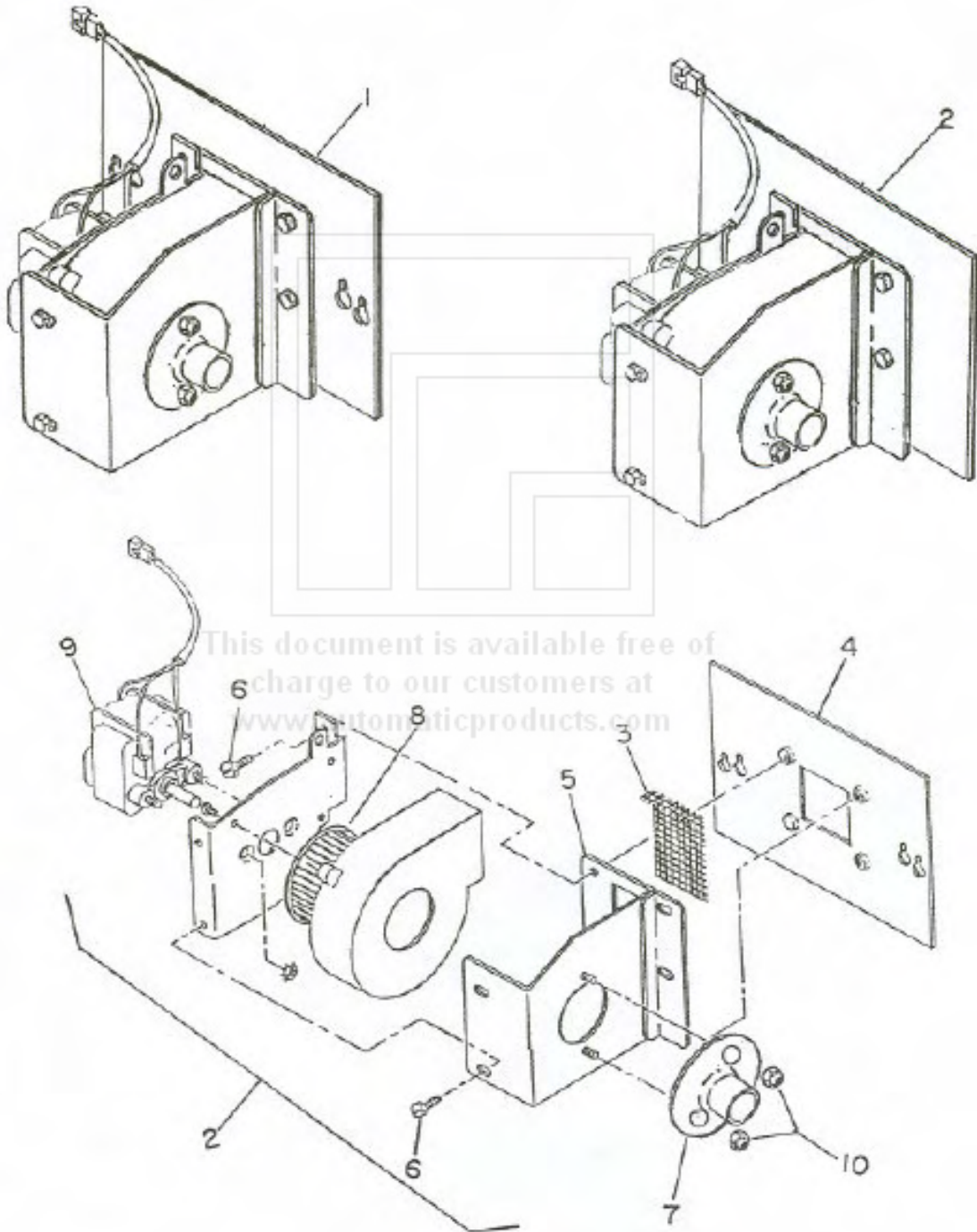
WATER INLET ASSEMBLY

1.	26444	Plate, Retainer Fitting, Water Inlet
2.	17521-5	Ring, Retainer, 'E', 15/16, Water Inlet
3.	25886	Adapter, Water Inlet
4.	34045	Washer, 1/4 Flare, Nylon
5.	17357	Elbow, 3/8 MFL x 3/8 FPT, Brass
6.	14806	Screw, 8-32 x 3/8, HH, ZP, F, SD
7.	18790	Tube Asm, Water Inlet to Filter
8.	06225	Elbow, 3/8 MPT x 3/8 MFL
9.	31135	Nipple, 3/8 x 2-1/2, Brass
10.	23281	Filter Head W/ Bracket, For Everpure Filter
11.	16991	Cartridge, Everpure Filter
12.	06421	Elbow, 1/4 MFL x 1/4 FPT, Brass
13.	360146	Valve Asm, Complete (Includes All Items In Detail A)
14.	36565	Harness, Cabinet Main
15.	18116	Coil, White
16.	16453	Guide
17.	16452	Spring
18.	16451	Armature
19.	22247	Diaphragm, Lift
20.	16476	Screen, Inlet Valve
21.	16477	Gasket
22.	16474	Plug, Seal
23.	16449	Body, Valve
24.	14924	Valve, Shut-Off/Tank Drain
25.	30995	Tube Asm, Water Inlet, Shut-Off
26.	36108	Bracket, Water Inlet Valve
27.	34003	Valve Solenoid, 115V, 211E
28.	33304	Fitting, Connector, 3/8 MFL X 1/8 NPT
29.	32125	Screw, 10-32 x 3/8, HH, F, SD, WA
30.	36481	Tube Asm, Low Pressure, 211E
31.	36527	Bracket, Low Pressure Valve, 211E
32.	14817	Nipple, 1/8 MPT, Hex
33.	22558	Reducer, 1/4 MPT x 1/8 MPT, Brass
NS.	38185	Kit, Flex Hose, Everpure

This document is available free of
charge to our customers at
www.automaticproducts.com

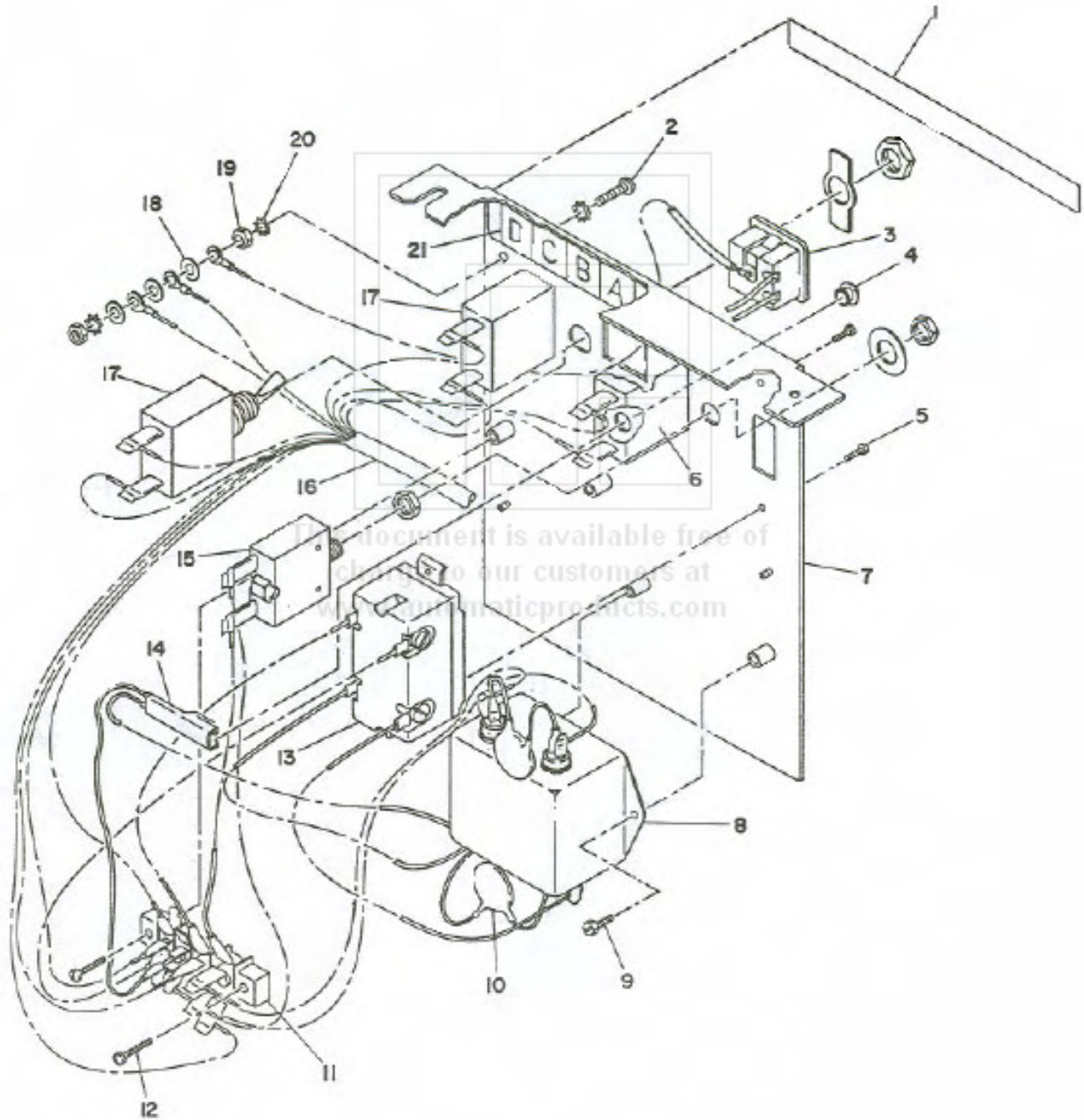
EXHAUST BLOWER MOTOR ASSEMBLIES AND COMPONENTS

- | | | |
|-----|---------|-------------------------------------|
| 1. | 35130 | Motor Asm Blower with Adapter Plate |
| 2. | 38217 | Motor Asm Blower less Adapter Plate |
| 3. | 20942 | Screen, Blower Motor |
| 4. | 21892 | Back Plate, Blower Motor |
| 5. | 37717 | Plate, Blower Motor |
| 6. | 14806 | Screw, 8-32 x 3/8, HH,SCP |
| 7. | 18922 | Duct, Blower Motor Inlet |
| 8. | 38217-1 | Wheel, Blower Motor |
| 9. | 38217-2 | Motor, Bay Blower |
| 10. | 21042 | Nut 8-32 Stop SCP |



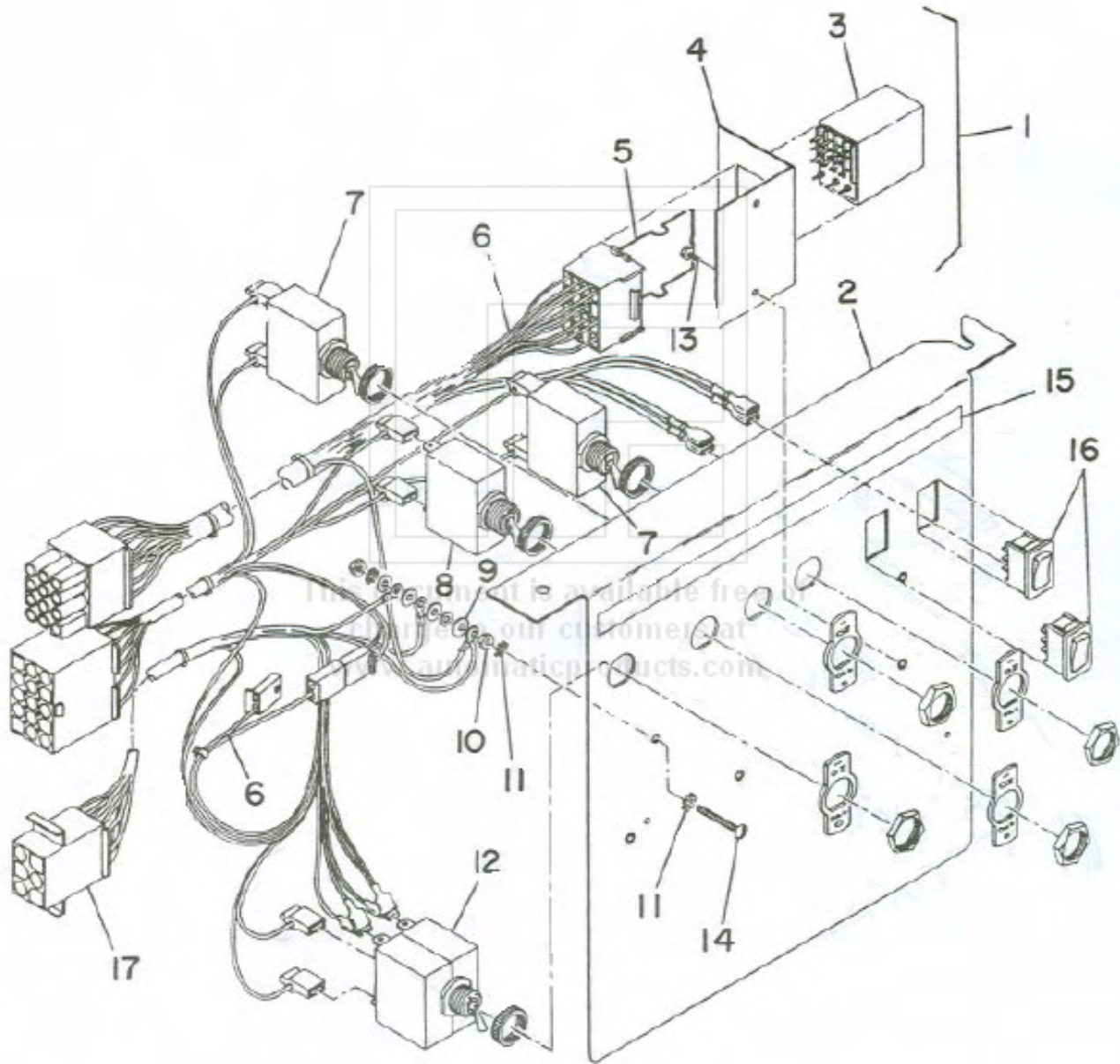
POWER PANEL ASSEMBLY (US ONLY)

- | | | | | | |
|-----|---------|------------------------------------|-----|---------|--------------------------------------|
| 1. | 35856 | Decal, Service Switches | 12. | 16335 | Screw, 8-32 x 5/8, PH |
| 2. | FBB33 | Screw, 10-32 x 3/4, Brass, RH, SD | 13. | 29991 | Switch, Main Power, DPST, 30 Amp |
| 3. | 14177-1 | Socket, Utility | 14. | 35224 | Lamp Asm, Polarity |
| 4. | 27934 | Lens, Red | 15. | 20174 | Breaker Circuit, 18 amp |
| 5. | 12503 | Screw, 6-32 x 3/8, PH | 16. | 35519 | Harness, Cabinet to Breaker/Switches |
| 6. | 20156 | Breaker Circuit, 10 amp | 17. | 20156-1 | Breaker Circuit, 3 Amp |
| 7. | 35546 | Bracket Asm, Switch and Bracket | 18. | FFB04 | Washer, Flat, #10, Brass |
| 8. | 29003 | Filter, Electro-Magnetic Induction | 19. | 00160 | Nut, 10-32, Hex, Brass |
| 9. | 14806 | Screw, 8-32 x 3/8, HH, ZP, SD | 20. | FLB01 | Lock Washer, #10, Ex Tooth |
| 10. | 30462 | MOV Assembly | 21. | 35063 | Decal, Switch Panel |
| 11. | 34787 | Strip Terminal | | | |



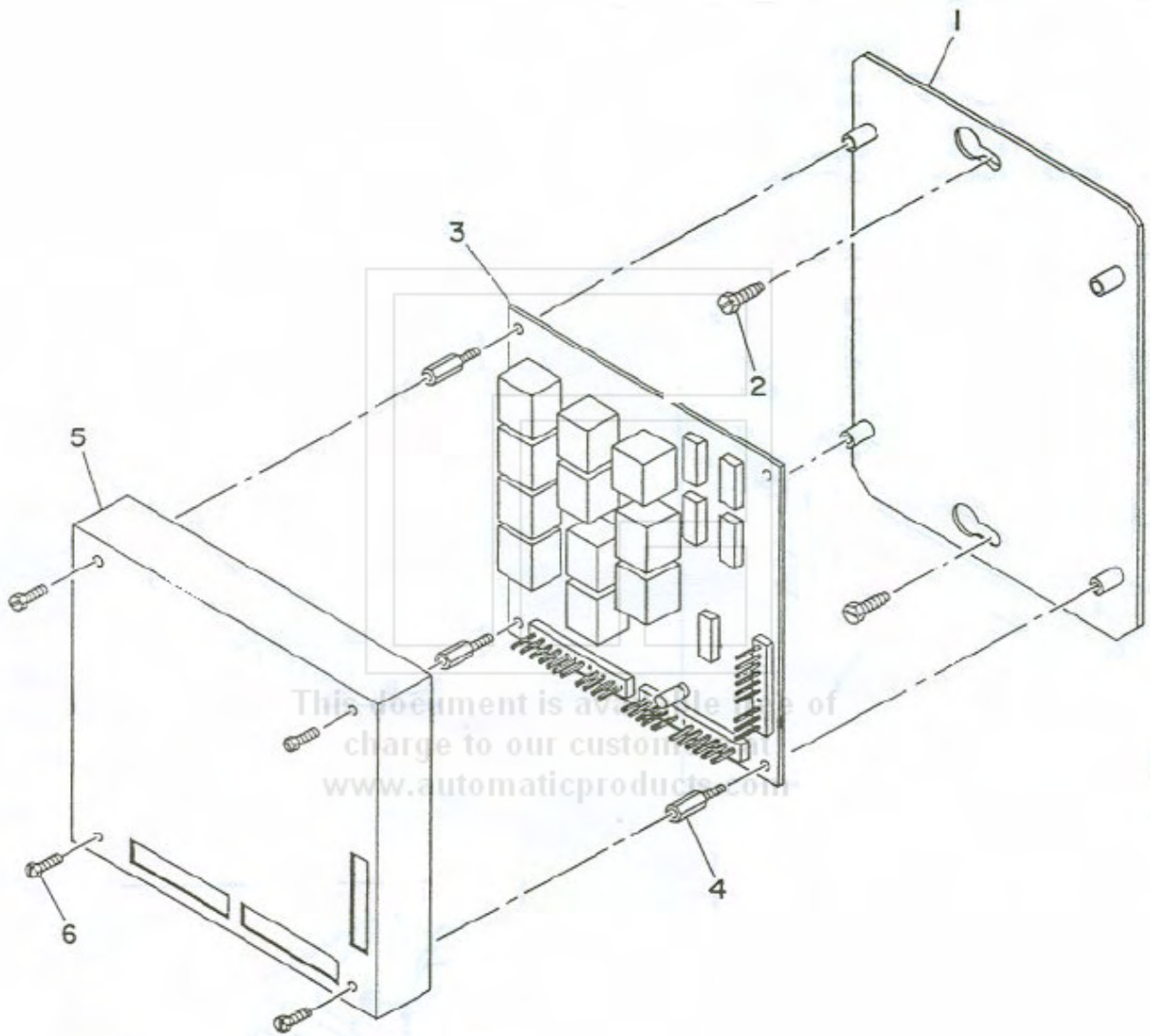
POWER PANEL ASSEMBLY 211E

- | | | | | | |
|----|---------|-------------------------------------|-----|-----------|------------------------------------|
| 1. | 36584 | Power Panel Asm, Complete | 10. | 00160 | Nut, 10-32, Hex, Brass |
| 2. | 36109 | Bracket, Panel, Switches & Breakers | 11. | FLB01 | Lock Washer #10 EX Tooth, Brass |
| 3. | 21601 | Relay, 4 Pole, 3 Amp | 12. | 20156-2 | Breaker Circuit 220V 2 Pole |
| 4. | 34776 | Bracket, Relay | 13. | 14806 | Screw, 8-32x3/8, HH, ZP, F, SD, WA |
| 5. | 27695 | Spring, Hold Down, Relay | 14. | 100B10-12 | Screw, 10-32x 3/4, RH, M, Brass |
| 6. | 36092 | Harness, Relay/Service Switch | 15. | 36183 | Decal, Switches & Breakers |
| 7. | 20156-1 | Breaker Circuit, 3 Amp | 16. | 380283 | Switch, Momentary Rocker |
| 8. | 20156 | Breaker Circuit, 10 Amp | 17. | 36090 | Harness, Power Panel, 3 Part |
| 9. | FFB04 | Washer, Flat, #10, Brass | | | |



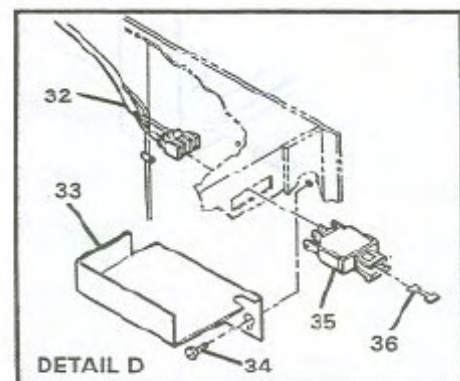
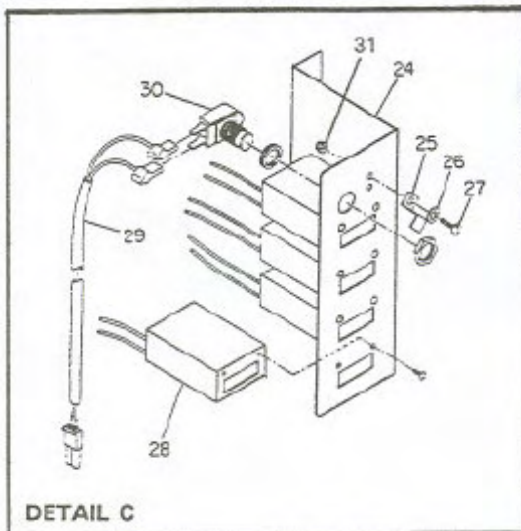
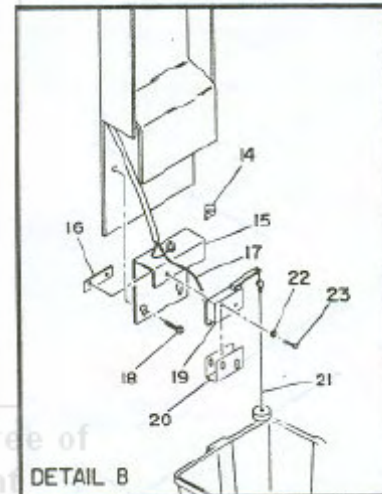
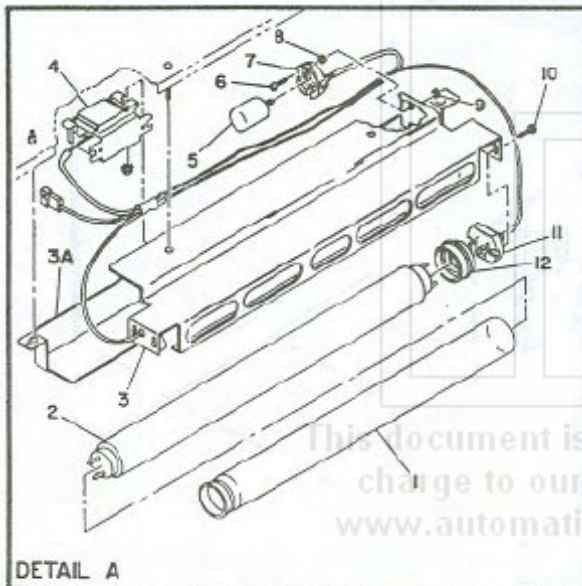
RELAY / MOTOR DRIVER BOARD

- | | | |
|-----|----------|---|
| | 36010 | Relay / Motor Driver Board Assembly (New) |
| 1. | 35996 | Plate Asm, Relay / Motor Driver Board |
| 2. | 14806 | Screw, 8-32 x 38, HH, ZP |
| 3. | 360141 | Relay / Motor Driver Board (New) |
| 3a. | 360141-3 | Relay / Motor Driver Board (Repaired) |
| 4. | 300182 | Stand-Off |
| 5. | 35997 | Cover, Relay / Motor Driver Board |
| 6. | 13154 | Screw, 6-32 x 1/4, HH, SD, SCP |



MISCELLANEOUS ASM. INSIDE CABINET

1.	30773	Shield, Fluorescent Tube	18.	14806	Screw, 8-32 x 3/8, HH, ZP, F, SD
2.	27165	Lamp, Fluorescent, F15-T8/D	19.	380273	Switch, Float
3.	33990	Bracket Asm, Fluorescent Lamp	20.	00784	Cover Switch Insulator
4.	21956	Ballast, 25 Watts, SP2	21.	34106-1	Float Asm, Includes 10" Lead
4a.	21956-1	Ballast, 15 Watts, SP2-100-5, 211E	22.	03562	Washer, Flat #6, PL, Small
5.	00941	Starter, FS2	23.	00050	Screw, 6-32 x 1, RH, PL
6.	22730	Screw, 4-40 x □, RH, SD, M	24.	36113	Bracket, Counter, 211E
7.	00944	Socket, Starter, GE	25.	27358	Bracket, Free Vend Hold In, 211E
8.	19510	Washer, .150 OD x 15/16 THK., Nylon	26.	27360	Washer, Spring Flex, #8, 211E
9.	22849	Nut, 4-40, Kep	27.	20676	Screw, 8-32 x 1/2, PH
10.	00052	Screw, 6-32 x 3/8, RH, SS	28.	17304	Counter, 110 Volts
11.	00935	Socket, Fluorescent Lamp	29.	36116	Harness, Counter And Free Vend S Switch
12.	30777	Cap End, Fluorescent Lamp (2 Required)	30.	14572	Switch, Push Button
13.	30856	Guard Asm, Grounds Bucket	31.	21042	Nut, 8-32, Stop, SCP
14.	17784	Clamp, 'P', 1", Plastic	32.	36091	Harness, Interlock Switch, 211E
15.	30835	Bracket, Overflow Switch, Grounds Bucket	33.	33434	Cover, Door Interlock Switch, 211E
16.	01179	Nut, 6-32, Twin-Speed	34.	14806	Screw, 8-32 x 3/8, HH, SCP, SD, WA
17.	35682	Harness, Grounds Overflow Switch	35.	33476	Switch, Interrupt, With Barrier, 211E
			36.	33645	Key, For Switch 33476 (Item 38)





THIS PAGE INTENTIONALLY LEFT BLANK!

This document is available free of
charge to our customers at
www.automaticproducts.com

CANISTER RACK ASSEMBLY - 211 LG

1.	30591	Rack Asm, Canister, Welded, LG	18a.	35620	Bar Humidity Asm, LG W/FB Tea (Incl. Items 5-6 & 15a, 16a, 17)
1a.	36233	Rack Asm, Canister, Welded, LG (A-Holland)	18b.	36418	Bar Humidity Asm, (9 Inches), 211E
1b.	36137	Rack Asm, Canister, Welded, LG (German)	18c.	36418-1	Bar Humidity Asm, (12 Inches), 211E
2.	22631	Tube Asm, Tea Water	19.	35134	Whipper Asm Chocolate (Incl. Items 20-32)
3.	28726	Tube, Soup Water	20.	13914	Plate, Whipper Mounting
4.	28724	Tube, Chocolate Water	21.	13909	Housing, Front, Outer
5.	14491	Screw, 8-32 x 3/8, PH	22.	28045	Funnel, Chocolate Whipper W/Tube
6.	11749	Nut, 8-32, Kep	22a.	28045-1	Funnel, Bottom., W/Inlet & No Ribs, 211E
7.	15556-1	Decal, Chocolate	23.	14745	Funnel, Top Entrance, Whipper
7A.	15556-2	Decal, Soup	24.	13919	"O" Ring, 2-1/4 x 2-1/2
7B.	15556-5	Decal, Sugar	25.	34091	Impeller, Whipper
7C.	15556-4	Decal, Light	26.	27435	Seal, Housing, Inner, Whipper
7D.	15556-3	Decal, Tea	27.	27421	Housing, Inner, Whipper
7E.	15556-7	Decal, Decaf, Sanka (not shown)	28.	13910	Housing & Seal Asm (Incl. Items 26,27)
7F.	15556-9	Decal, Specialty Coffee (not shown)	29.	13918	Slinger
8.	35518	Harness Asm, Canister Rack	30.	13915	Spring, Retainer
8a.	36089	Harness Asm, Canister Rack, 211E	31.	34963	Motor Asm, Whipper Universal
9.	26498	Grommet, 3/4 x 1 (Part of Item 8)	32.	14487	Screw, 8-32 x 1/4, PH
10.	14003	Duct, Steam Exhaust	33.	31844	Bracket, Whipper Damping
11.	13290	Hose, Exhaust (Sold Only in 6 Ft. Lengths)	34.	33279	Pad, Vibration #2
12.	36438	Trough, Commodity, LG, 4 Position	35.	23027	Funnel, Short
12a.	21190	Trough, Commodity, LG, 1 & 3 Position	35a.	23027-1	Funnel, Tall
12b.	36236	Trough, Commodity, LG, Left 2 Pos. 211E	36.	16335	Screw, 8-32 x 5/8, PH, SCP
12c.	36236-2	Trough, Commodity, LG, Right 2 Pos, 211E	37.	15628	Pin, Roll, 1/8 x 1 1/2, SS
12d.	36325	Trough, Commodity, LG, 1&2 Pos.(Germany)	38.	22737	Motor Asm, Auger, 180 RPM (Incl. Items 32 & 37), For - Chocolate, Specialty Coffee, Sugar, Light
13.	34219-2	Chute, Commodity, LG	39.	14469	Motor Asm, Auger, 51 RPM (Incl. Items 32 & 37), For - FD Decaf, FD Tea, Soup
13a.	36317	Chute, Commodity, LG W/FB Tea	39a.	13999	Motor Asm, Auger, 90 RPM, 211E
13b.	36237	Chute, Commodity, LG, 2-2 Trough, 211E	40.	36243	Tube Asm, LG Cof, 2 Pos Trough (A. Holland)
13c.	36298	Chute, Commodity, LG, 1-1&2 Pos.(Germany)	41.	38035	Bracket, Asm, Weld, Whipper Motor
14.	19033	Tube, Silicone, 5/16 ID x 1/2 OD	42.	37925	Stud Bracket
15.	35619-1	Strip Asm Heater (12"), Wired, LG	43.	27034	Relay, Power, For 1-2-2 Trough (A. Holland)
15a.	35619	Strip Asm Heater (9"), Wired, W/FB Tea	44.	36202	Harness, Whipper / Relay, 211E
15b.	36417	Strip Asm Heater (9"), Wired, 211E	45.	33280	Plate, Compression
16.	30324	Bracket Asm, Heat Bar, LG, (12 Inches)			
16a.	35624	Bracket Asm, Heat Bar (9"), W/FB Tea			
17.	25068	Clamp, 5/16, Plastic			
18.	35620-1	Bar Humidity Asm, LG (Incl. Items 5-6 & 15,16,17)			

For 211E canister & rack decal labels in 3 languages for items 7 through 7d, see below:

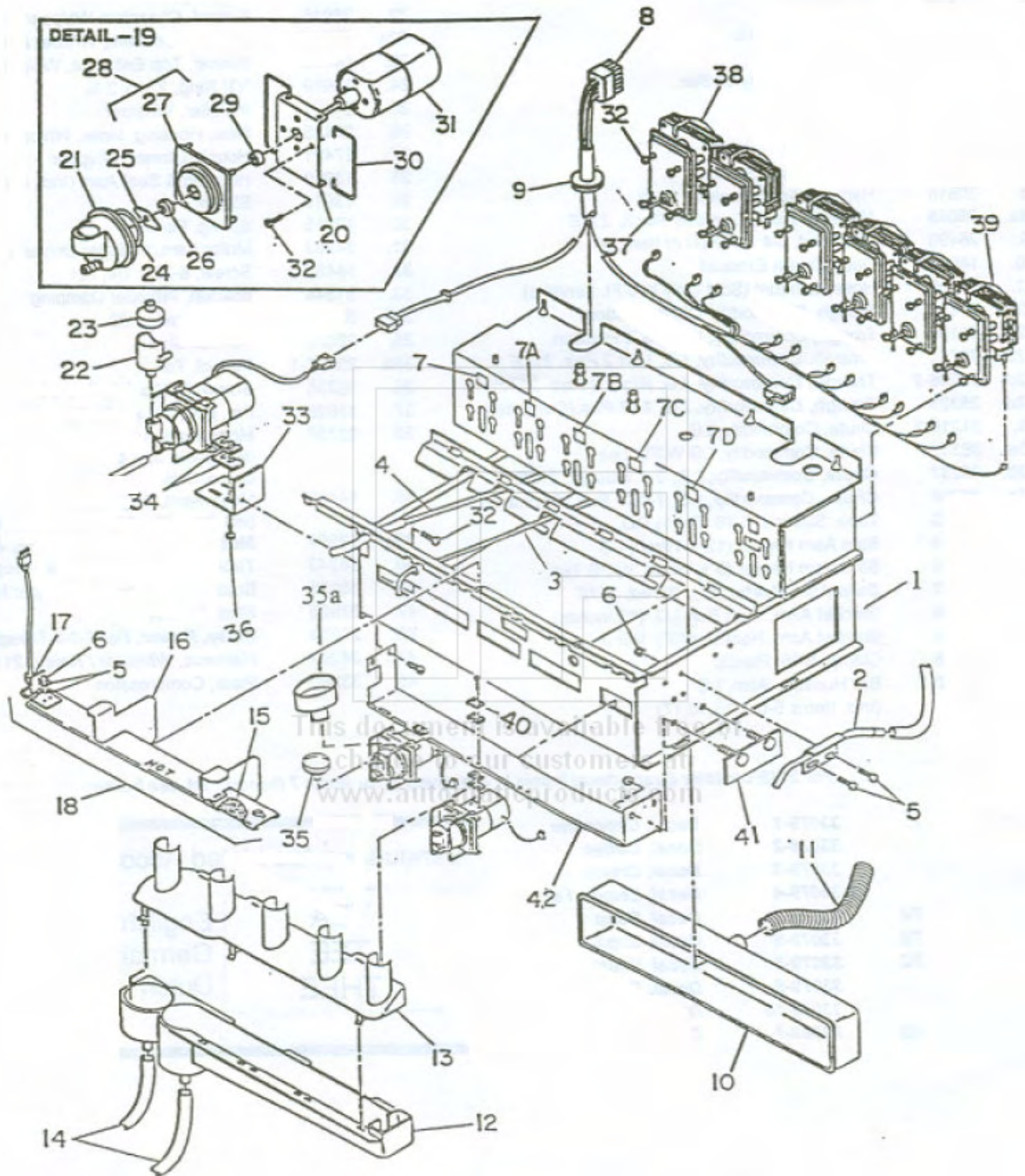
7.	33079-1	Decal, Chocolate
7G	33079-2	Decal, Coffee (not shown)
7H	33079-3	Decal, Cream (not shown)
7J	33079-4	Decal, Lemon Tea (not shown)
7A.	33079-6	Decal, Soup
7B.	33079-5	Decal, Sugar
7C.	33079-8	Decal, Whitener
7E	33079-9	Decal, Decaffeinated (not shown)
7F	33079-10	Decal, Cappuccino (not shown)
7D.	33089-7	Decal, Tea

Languages Are Listed Accordingly:

TEA
TEE
THEE

English
German
Dutch

CANISTER RACK ASSEMBLY - 211 FD

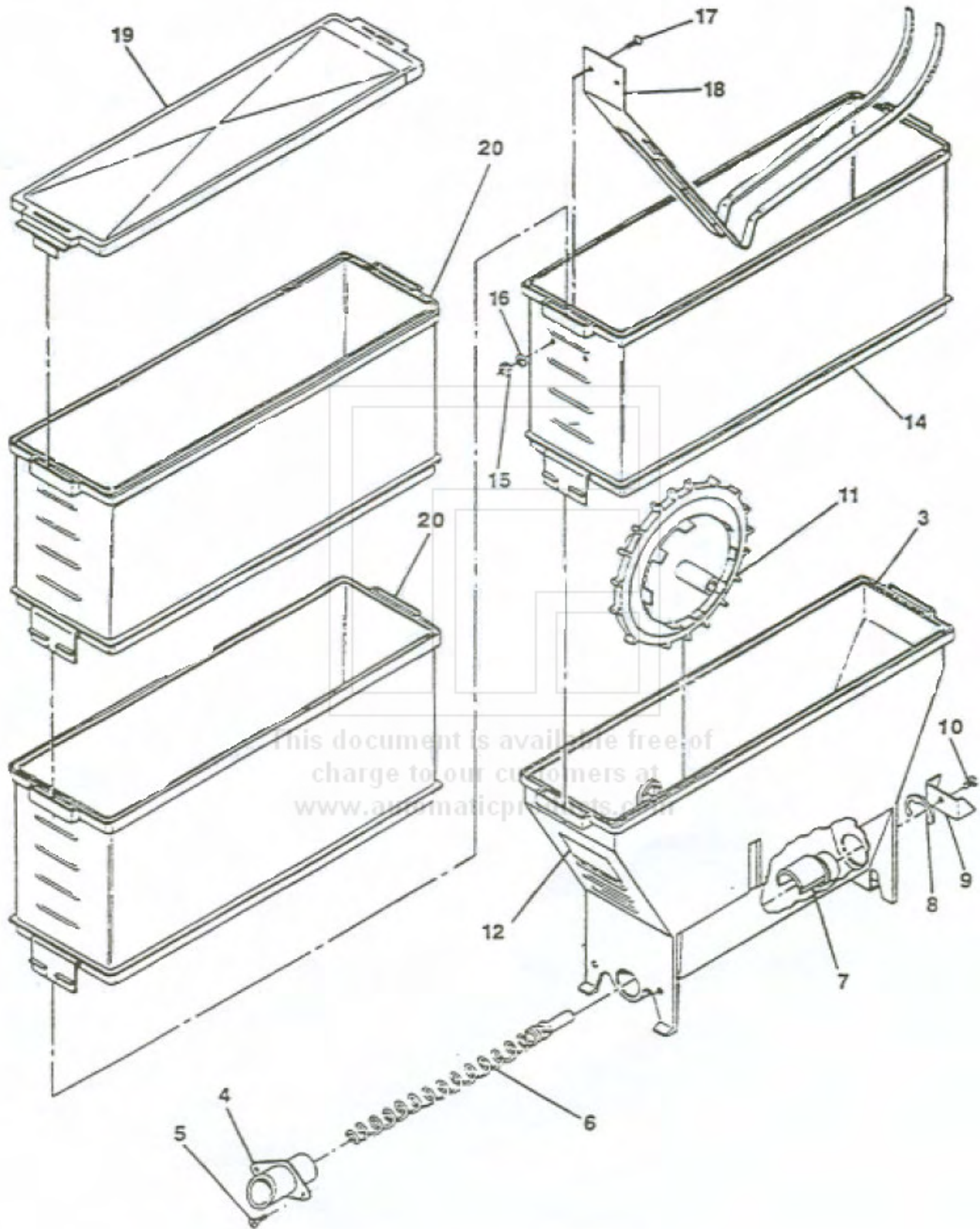


CANISTER RACK ASSEMBLY - 211 FD

1.	30590	Rack Asm Canister, Welded	18b.	36142-2	Bar Asm Humidity, FB TEA 15" 211E
1a.	36138	Rack Asm Canister, FD, 211E (German/Holland)			(Incl. Items 5-6 & 15a, 16a, 17)
2.	22631	Tube Asm, Tea & Coffee Water	18c.	36418-3	Bar Asm Humidity, FD TEA 18.5" 211E
3.	28726	Tube, Soup Water			(Incl. Items 5-6 & 15a, 16a, 17)
4.	28724	Tube, Chocolate Water	19.	37764	Whipper Asm Chocolate (Incl. Items 20-32)
5.	14491	Screw, 8-32 x 3/8, PH		37208	Whipper Asm Chocolate 211E
6.	11749	Nut, 8-32, Kep	20.	13914	Plate, Whipper Mounting
7.	15556-1	Decal, Chocolate	21.	13909	Housing, Front, Outer
7a.	15556-2	Decal, Soup	22.	28045	Funnel, Chocolate Whipper with Tube
7b.	15556-5	Decal, Sugar	23.	14745	Funnel, Top Entrance, Whipper
7c.	15556-4	Decal, Light	24.	13919	"O" Ring, 2-1/4 x 2-1/2
7d.	15556-3	Decal, Tea	25.	34091	Impeller, Whipper
7e.	15556-6	Decal, Coffee	26.	27435	Seal, Housing, Inner, Whipper
7f.	15556-7	Decal, Decaf, Sanka (not shown)	27.	27421	Housing, Inner, Whipper
7g.	15556-9	Decal, Specialty Coffee (not shown)	28.	13910	Housing & Seal Asm (Incl. Items 26 & 27)
8.	35518	Harness Asm, Canister Rack	29.	13918	Slinger
9.	26498	Grommet, 3/4 x 1 (Part of Item 8)	30.	13915	Spring, Retainer
10.	23895	Duct, Steam Exhaust	31.	34963	Motor, Whipper Universal
11.	13290	Hose, Exhaust (Sold Only in 6 Ft. Lengths)	32.	14487	Screw, 8-32 x 1/4, PH
12.	21191	Trough, Commodity, FD, 1 & 4 Position	33.	31844	Bracket, Whipper Damping
12a.	36499	Trough, Commodity, FD, 5 Position	34.	33279	Pad, Vibration #2
12b.	22900	Trough, Commodity, 1 & 3 Position, 211E	35.	23027	Funnel, Short
13.	34219-1	Chute, Commodity, FD, 1&4 Trough Pos.	35a.	23027-1	Funnel, Tall
13a.	36699	Chute, Commodity, FD, 5 Trough Pos.	36.	16335	Screw, 8-32 x 5/8, PH, SCP
13b.	36335	Chute, Commodity, FD W/FB Tea	37.	15628	Pin, Roll, 1/8 x 1 1/2, SS
13c.	34219-2	Chute, Commodity, 1-1&3 Trough Pos, 211E	38.	28987	Motor Asm, Auger, 180 RPM
14.	19033	Tube, Silicone, 5/16 ID x 1/2 OD (Sold Per Inch)			(Incl. Items 32 & 37) For - Chocolate,
15.	35619-2	Strip Asm Heater, Wired, FD, (15.75 Inches)	39.	14469	Specialty Coffee, Sugar, Light
15a.	35619-1	Strip Asm Heater, Wired, FD W/FB Tea, (12 In.)			Motor Asm, Auger, 51 RPM
16.	22502	Bracket Asm, Heat Bar, FD, (15.75 Inches)			(Incl. Items 32 & 37) For - FD Coffee, FD Tea,
16a.	30324	Bracket Asm, Heat Bar, FD W/FB Tea, (12 In.)	40.	33280	FD Decaf, Soup
17.	25068	Clamp, 5/16, Plastic	41.	37925	Plate, Compression
18.	35620-2	Bar Asm Humidity, FD (Incl. Items 5-6 & 15,16,17)	42.	38036	Stud Bracket
18a.	35620-1	Bar Asm Humidity, FD (Incl. Items 5-6 & 14, 16, 17)	NS.	36163	Bracket Asm, Weld, Whipper Motor
					Whipper, Tube Extension

This document is available free of
 charge to our customers at
 (For 211E Decals in 3 languages, see page 5.01)
www.automaticproducts.com

**CANISTER ASSEMBLIES:
CHOCOLATE, SOUP, FD COFFEE, SGC**



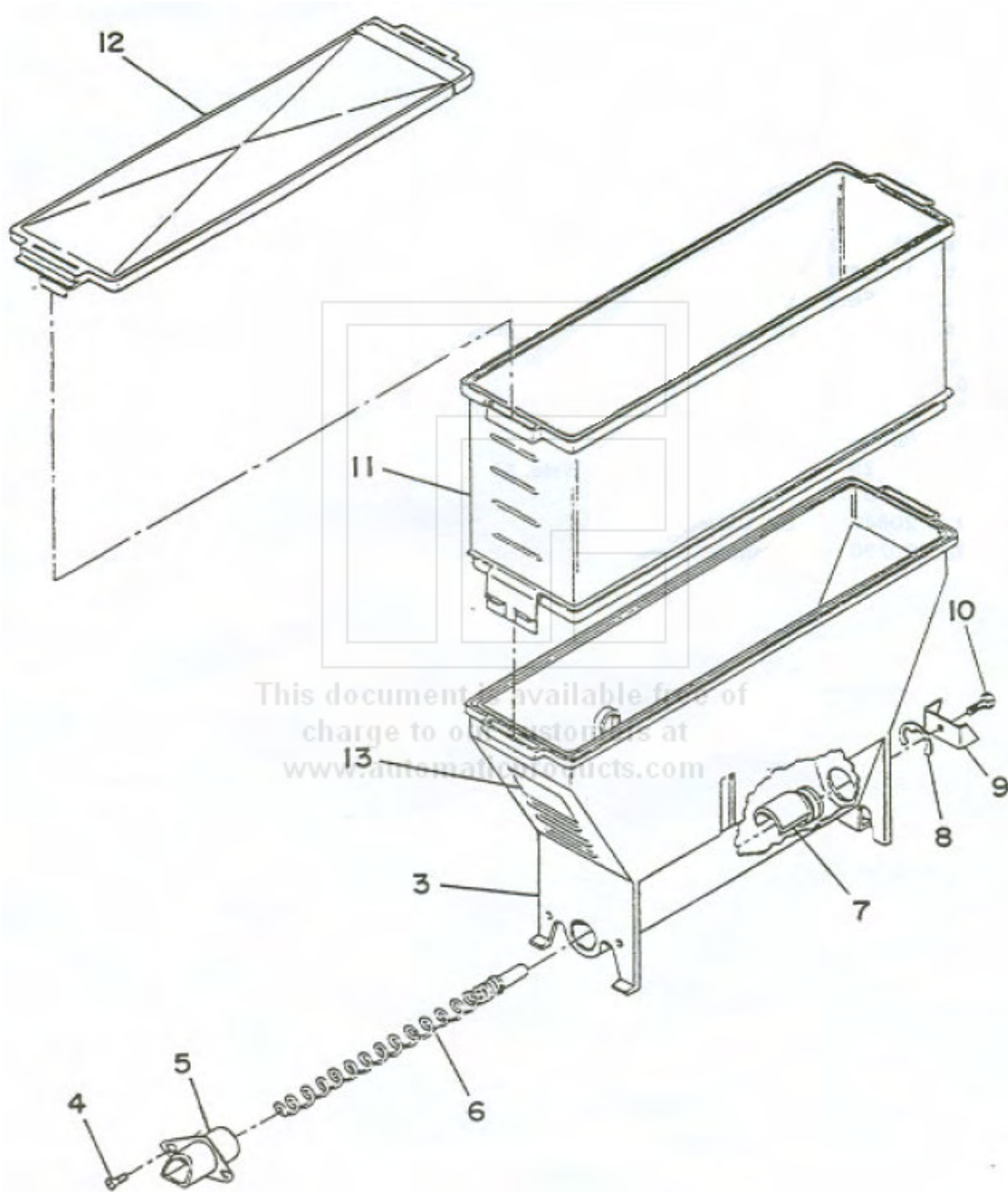
**CANISTER ASSEMBLIES:
CHOCOLATE, SOUP, SANKA, FD COFFEE, SGC**

- | | | |
|------------|--------------|--|
| 1. | 22564 | Canister Asm, Chocolate (Incl. Items 2-20) |
| 1a. | 22563 | Canister Asm, Soup (Incl. Items 2-11, 12A, 19) |
| 1b. | 22566 | Canister Asm, Sanka (Incl. Items 2-11, 12B, 19) |
| 1c. | 22567 | Canister Asm, FD Coffee (211FD Only)
(Incl. Items 2-11, 12C, 19-20) |
| 1d. | 32661 | Canister Asm. W/Extension
(Incl. Items 2-11, 12C, 13-19) |
| 2. | 28486 | Canister Asm, Basic: Chocolate, Soup, Sanka,
FD Coffee (Incl. Items 3-11) |
| 3. | 20288 | Canister, Bottom Basic, Plastic |
| 4. | 26643 | Spout, Canister (No Louvers) |
| 4a. | 25961 | Spout, No Louvers, Soup, 211E |
| 5. | 25034 | Screw, 6 x 3/8, FH, Phillips, B, PL |
| 6. | 20645 | Auger Asm, Commodity |
| 7. | 20263 | Bearing, Rear |
| 8. | 17521-1 | Ring, Retaining, 'E', Bowed |
| 9. | 25969 | Driver, Auger |
| 10. | 25970 | Screw, Auger Drive |
| 11. | 20311 | Wheel Commodity |
| 12. | 15556-1 | Decal, Canister, Chocolate <i>(See page 5.01 for 211E labels)</i> |
| 12a. | 15556-2 | Decal, Canister, Soup |
| 12b. | 15556-7 | Decal, Canister, Sanka |
| 12c. | 15556-6 | Decal, Canister, Coffee |
| 12d. | 15556-9 | Decal, Canister, Specialty Coffee |
| 13. | 23731 | Extension Asm, Canister (Incl. Items 14-18) |
| 14. | 23711 | Extension, Canister |
| 15. | 19927 | Nut, 6-32 LK, NY Insert |
| 16. | 00826 | Washer, Flat #6, PL |
| 17. | 24529 | Screw, 6-32 x 5/16, Weld, SS |
| 18. | 23757 | Agitator, Canister |
| 19. | 20647 | Lid, Canister |
| 20. | 20290 | Extension, Canister |

This document is available free of
charge to our customers at
www.automaticproducts.com

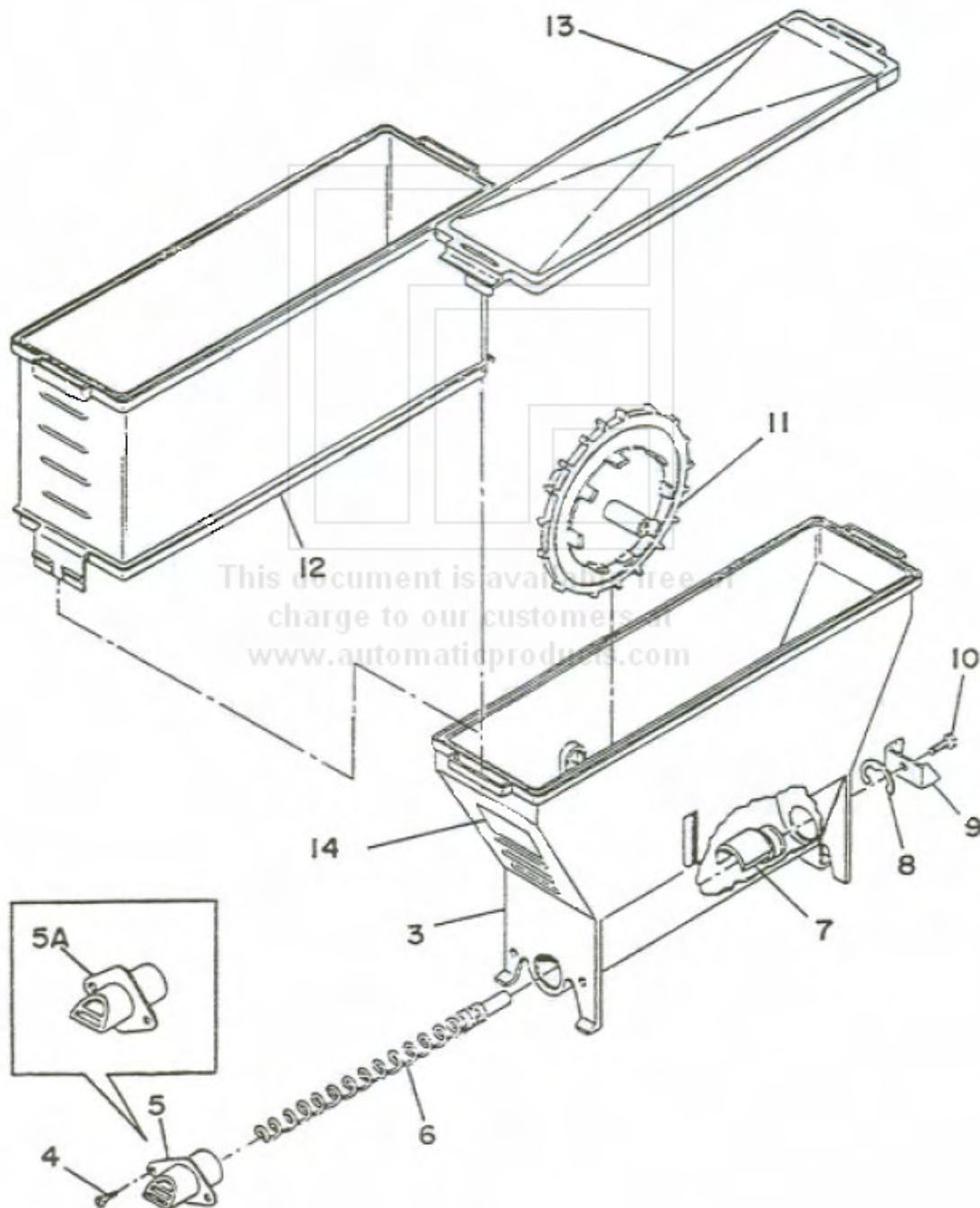
CANISTER ASSEMBLY: SUGAR

- | | | | | | |
|----|-------|---|-----|---------|--|
| 1. | 22568 | Canister Asm, Sugar (Incl. Items 2-13) | 8. | 17521-1 | Ring, Retaining, 'E', Bowed |
| 2. | 28484 | Canister Asm, Sugar, Basic (Incl. 3-10) | 9. | 25969 | Driver, Auger |
| 3. | 20288 | Canister, Bottom Basic, Plastic | 10. | 25970 | Screw, Auger Drive |
| 4. | 25034 | Screw, 6 x 3/8, FH, Phillips, B, PL | 11. | 20290 | Extension, Canister |
| 5. | 26643 | Spout, Canister (No Louvers) | 12. | 20647 | Lid, Canister |
| 6. | 20645 | Auger Asm, Commodity | 13. | 15556-5 | Decal, Canister, Sugar |
| 7. | 20263 | Bearing, Rear | | | <i>(See page 5.01 for 211E labels)</i> |

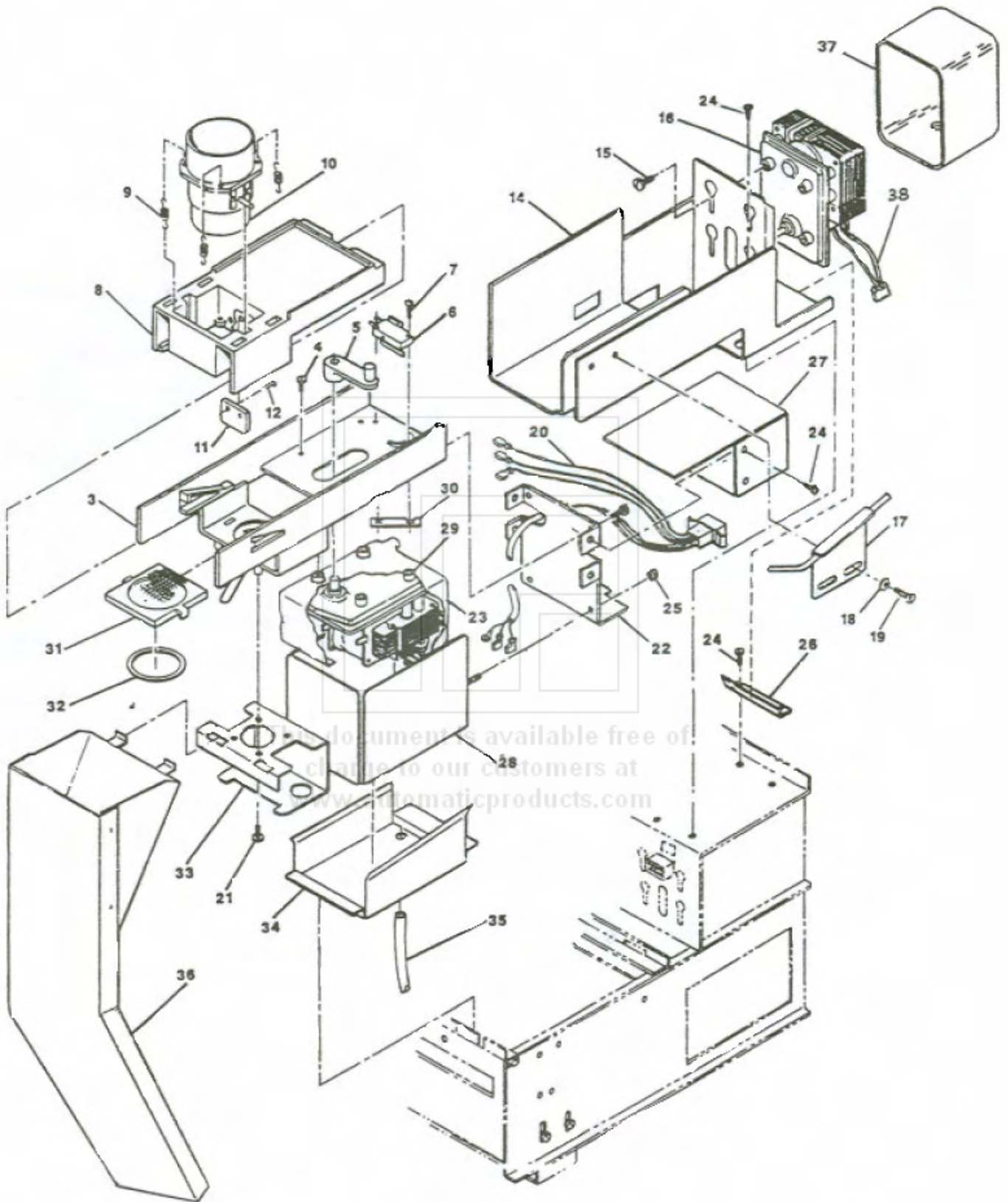


CANISTER ASSEMBLY: LIGHT, TEA AND SUGAR SUBSTITUTE

- | | | | | | |
|-----|---------|---|------|---------|---|
| 1. | 22562 | Canister Asm, Light (Incl. Items 2-14) | 6. | 20645 | Auger ASM, Commodity |
| 1A. | 22565 | Canister Asm, Soluble Tea,
(Incl. Items 2-11, 13, 14A) | 7. | 20263 | Bearing, Rear |
| 1B. | 30156 | Canister Asm, Low-Cal Sugar Substitute
(Incl. Items 2A, 3, 4, 5A, 6-11, 13, 14B) | 8. | 17521-1 | Ring, Retaining, 'E' Bowed |
| 2. | 28485 | Canister Asm, Basic: Light & Tea (Incl. Items 3-11) | 9. | 25969 | Driver, Auger |
| 2A. | 30155 | Canister Asm, Basic: Low-Cal Sugar Substitute (Incl. Items 3, 4, 5A-11) | 10. | 25970 | Screw, Auger Drive |
| 3. | 20288 | Canister, Bottom Basic, Plastic | 11. | 20311 | Wheel, Commodity |
| 4. | 25034 | Screw, 6 x 3/8, FH, Phillips, B, PL | 12. | 20290 | Extension, Canister |
| 5. | 26643-1 | Spout, Canister, Louvered | 13. | 20647 | Lid, Canister |
| 5a. | 30157 | Spout, Canister, With 1 Louver | 14. | 15556-4 | Decal, Canister, Light |
| | | | 14a. | 15556-3 | Decal, Canister, Tea |
| | | | 14b. | 15556-8 | Decal, Canister, Low-Cal Sugar Substitute |
- (See page 5.01 for 211E labels)**



TEA BREWER ASSEMBLY, FRESH BREWED TEA

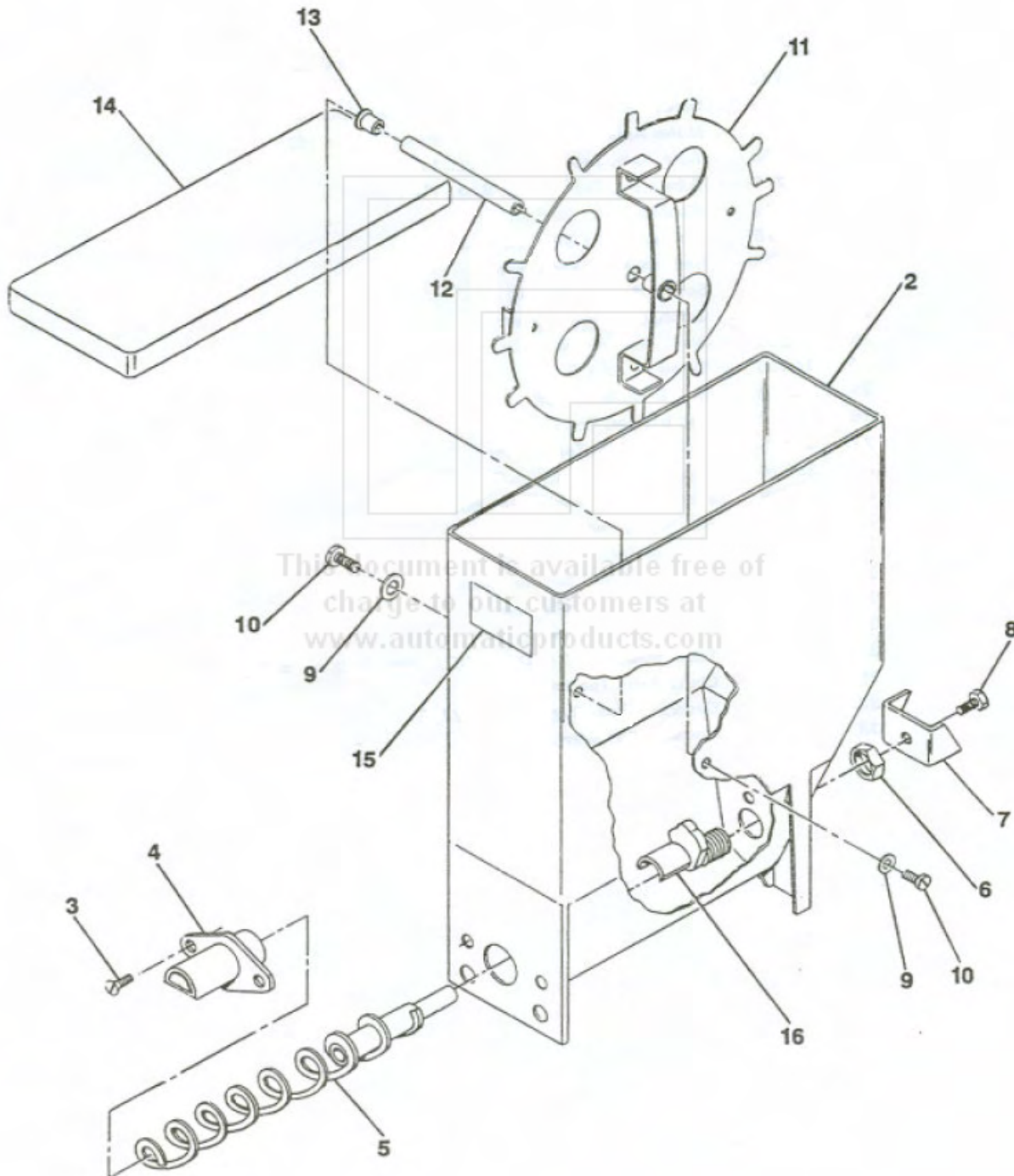


TEA BREWER ASSEMBLY, FRESH BREWED TEA

- | | | |
|------------|--------------|--|
| 1. | 35320 | Brewer Asm, Tea, 9 oz. Complete |
| 2. | 35311 | Base Asm, Tea Brewer (Includes Items 3-7, 20-23, 25, 27-33) |
| 3. | 32649 | Base, Tea Brewer |
| 4. | 25795 | Screw, 8-32 x 5/16, PH, SCP |
| 5. | 32741 | Arm, Crank, Tea Brewer |
| 6. | 32739 | Switch, Index, Tea Brewer |
| 7. | 21193 | Screw, 4-40 x 3/4, RH, M |
| 8. | 32651 | Carriage, Tea Brewer |
| 9. | 33711 | Spring, Extension, Tea Brew Cavity |
| 10. | 32650 | Cavity, Tea Brewer, 9 oz. |
| 11. | 32744 | Blade, Wiper, Tea Brewer |
| 12. | 06031 | Pin, Cotter, 1/16 x 1/2, SS |
| 13. | 32745 | Carriage Asm, Tea Brewer (Includes Items 8-12) |
| 14. | 32733 | Bracket, Tea Canister and Motor, Welded |
| 15. | 14487 | Screw, 8-32 x 1/4, PH (Quantity 4 Per Motor Asm) |
| 16. | 38135 | Motor Asm, 180 RPM, Auger (Includes Item 15) |
| 17. | 32730 | Tube Asm, Tea Brewer, 9 oz., LG |
| 17a. | 37200 | Tube Asm, Tea Brewer, 9 oz., FD |
| 18. | 00167 | Washer, Lock, #8 Split, SCP |
| 19. | 09479 | Screw, 8-32 x 3/8, PH, M, SS |
| 20. | 35030 | Harness Asm, Tea Brewer |
| 21. | 29942 | Screw, 6 x 3/8, HH, SD |
| 22. | 35236 | Catch, Rear, Tea Brewer |
| 23. | 34204 | Boot, Tea Brewer Motor |
| 24. | 14806 | Screw, 8-32 x 3/8, HH, SCP, SD WA |
| 25. | 09043 | Nut, 8-32, Hex, SCP |
| 26. | 32732 | Catch, Rear, Tea Canister |
| 27. | 35235 | Bracket, Plug, Tea Brewer |
| 28. | 35296 | Cover Asm, Motor, Tea Brewer |
| 29. | 32738 | Motor, Tea Brewer, 120v, 50/60 Hz. |
| 30. | 32740 | Nut, 4-40, Twin-Speed |
| 31. | 32892 | Filter, Molded, Tea Brewer |
| 32. | 33538 | Seal, Filter, Tea Brewer, Black |
| 33. | 35237 | Catch, Front, Tea Brewer |
| 34. | 32679 | Pan, Drip, Tea Brewer |
| 35. | 19033 | Tube, Silicone, 5/16 ID x 1/2 OD, Brown (bulk no. sold per inch) |
| 36. | 36270 | Chute Asm, Tea Brewer |
| 37. | 14426 | Cover, FB Tea, Auger Motor, 211E |
| 38. | 36096 | Harness, Tea Brew, 211E |

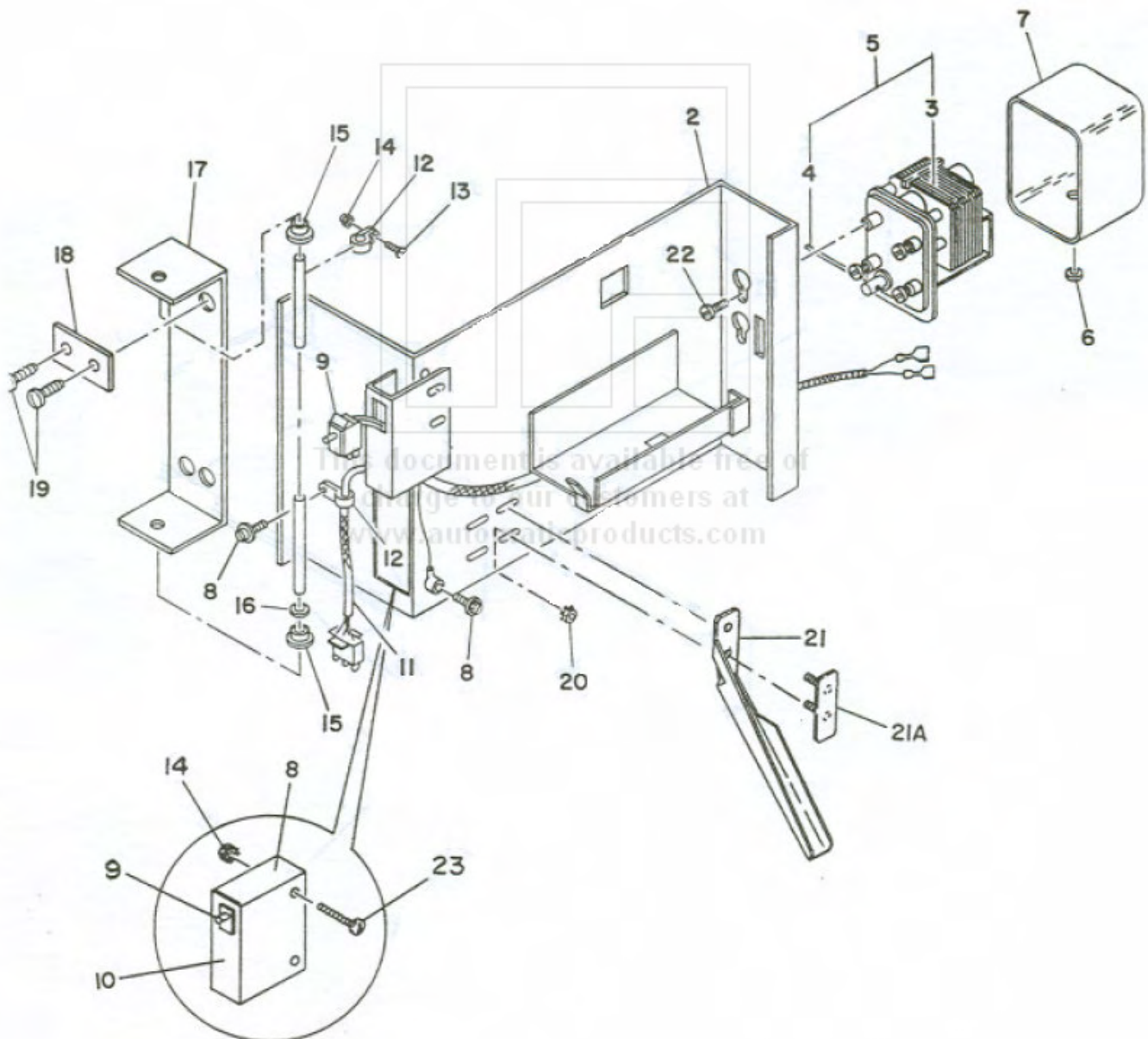
CANISTER ASSEMBLY: FRESH-BREWED TEA

- | | | | | |
|-----|-------|---------------------------------------|-----|---------------------------------------|
| 1. | 32724 | Canister Asm, Fresh-Brewed Tea | | |
| 1a. | 33798 | Canister Asm, (Short Version 9 11/16) | 9. | 00826 Washer, Flat #6, SCP |
| 2. | 33797 | Canister (Only), FB Tea, Plastic | 10. | 00825 Screw, 6-32 x 3/8, RH, M, Brass |
| 3. | 06136 | Screw, 6-32 x 3/8, FH, M, Brass | 11. | 14420 Wheel Asm, Commodity |
| 4. | 14011 | Spout, Canister (No Louvers) | 12. | 14017 Axle, Wheel |
| 5. | 14023 | Auger & Shaft Asm. | 13. | 16058-11 Nyliner, 4L4FK |
| 6. | 14190 | Nut, 5/8-11, PAL | 14. | 06695 Lid, Canister |
| 7. | 25969 | Driver, Auger | 15. | 33079-7 Decal, Tea |
| 8. | 25970 | Screw, Auger Driver | 16. | 14012 Bearing, Rear |
- (See page 5.01 for 211E labels)**

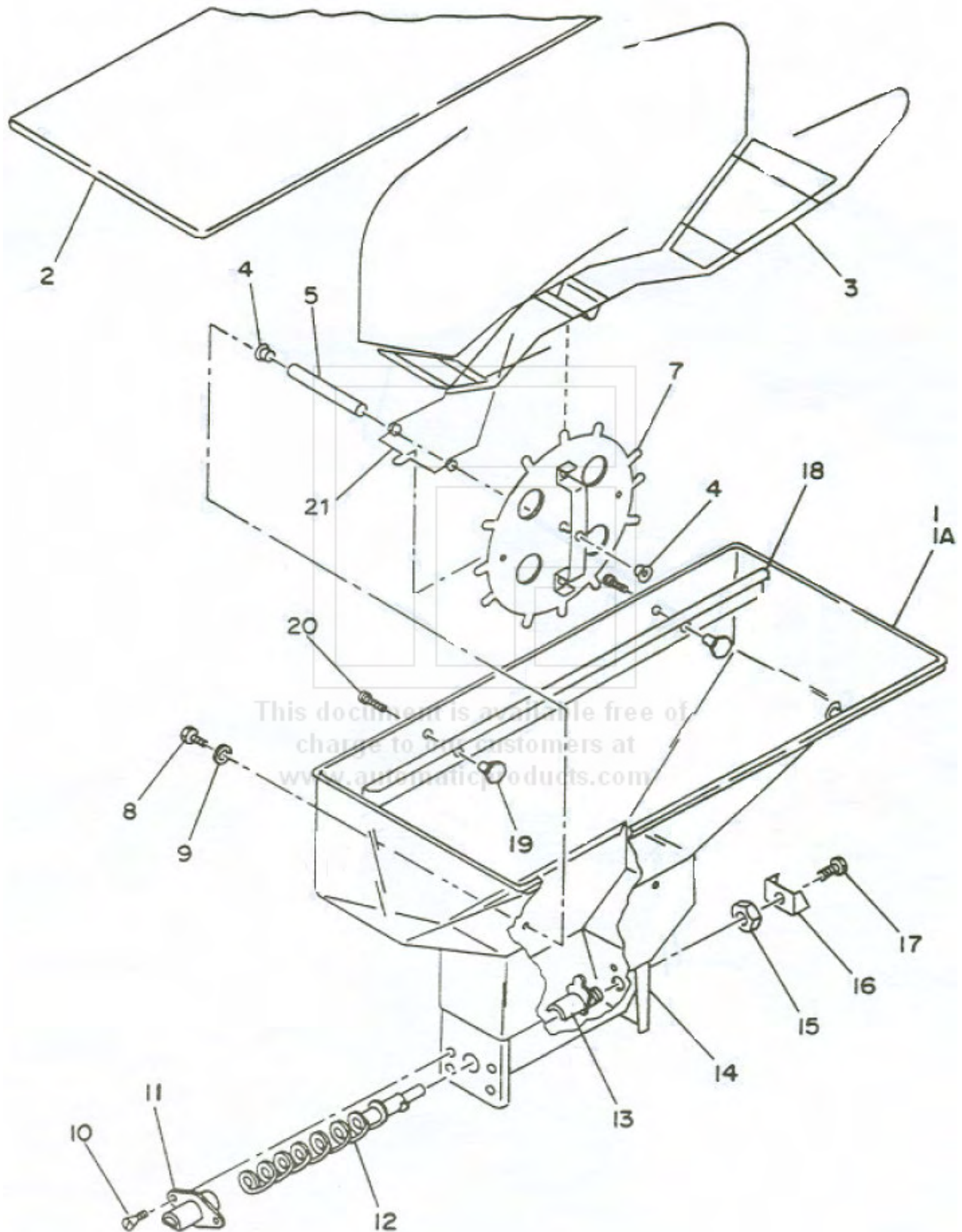


BRACKET ASSEMBLY - COFFEE HOPPER 211LG

- | | | | | | |
|-------------|--------------|--|------|----------|----------------------------------|
| 1. | 35612 | Bracket Asm, Coffee Swing-Out
(Includes Items 2-11 & 20-22) | 12. | 27604 | Clamp, P 1/4, Nylon |
| 1a. | 36574 | Bracket Asm, Coffee Swing-Out,
11E | 13. | 11073 | Screw, 8-32 x 1/2, PH, PL |
| 2. | 23352 | Bracket Asm. Coffee Hopper | 14. | 11749 | Nut, 8-32 Kep |
| 3. | 38135 | Motor, Auger, 180 RPM | 15. | 16058-14 | Nyliner 6I2FF |
| 4. | 15628 | Pin, Roll 1/8 x 1 | 16. | 05049 | Washer, 7/16 x 3/4 |
| 5. | 22737 | Motor Asm, (Items 3 & 4) | 17. | 22347 | Bracket, Swing-Out Mount |
| 6. | 03593 | Grommet, 3/8 x 1/2 | 18. | 22329 | Plate, Keeper |
| 7. | 14426 | Cover, Motor | 19. | 11073 | Screw, 8-32 x 1/2, PH, PL |
| 8. | 34814 | Cover, Switch, Swing Out Bracket, 211 | 20. | 06888 | Nut, 8-32, Wing |
| 9. | 15675 | Switch, Cherry E75-3 | 21. | 34218 | Chute, Coffee |
| 10. | 34815 | Plate, Switch, Swing Out Bracket, 211 | 21a. | 34233 | Plate Asm, Coffee Chute Mounting |
| 11. | 35555 | Harness, Swing-Out | 22. | 14487 | Screw, 8-32 x 1/4, PH |
| 11a. | 36099 | Harness, Swing-Out, 211E | 23. | 18442 | Screw, 8-32 x 1 1/4, PH |

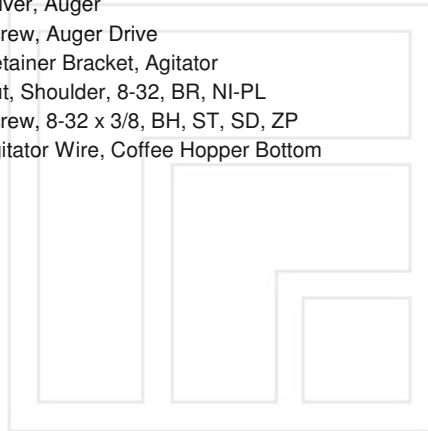


**CANISTER ASSEMBLY – COFFEE HOPPER 4 KG. SIZE
(WITH VACUUM – FORMED EXTENSION)**



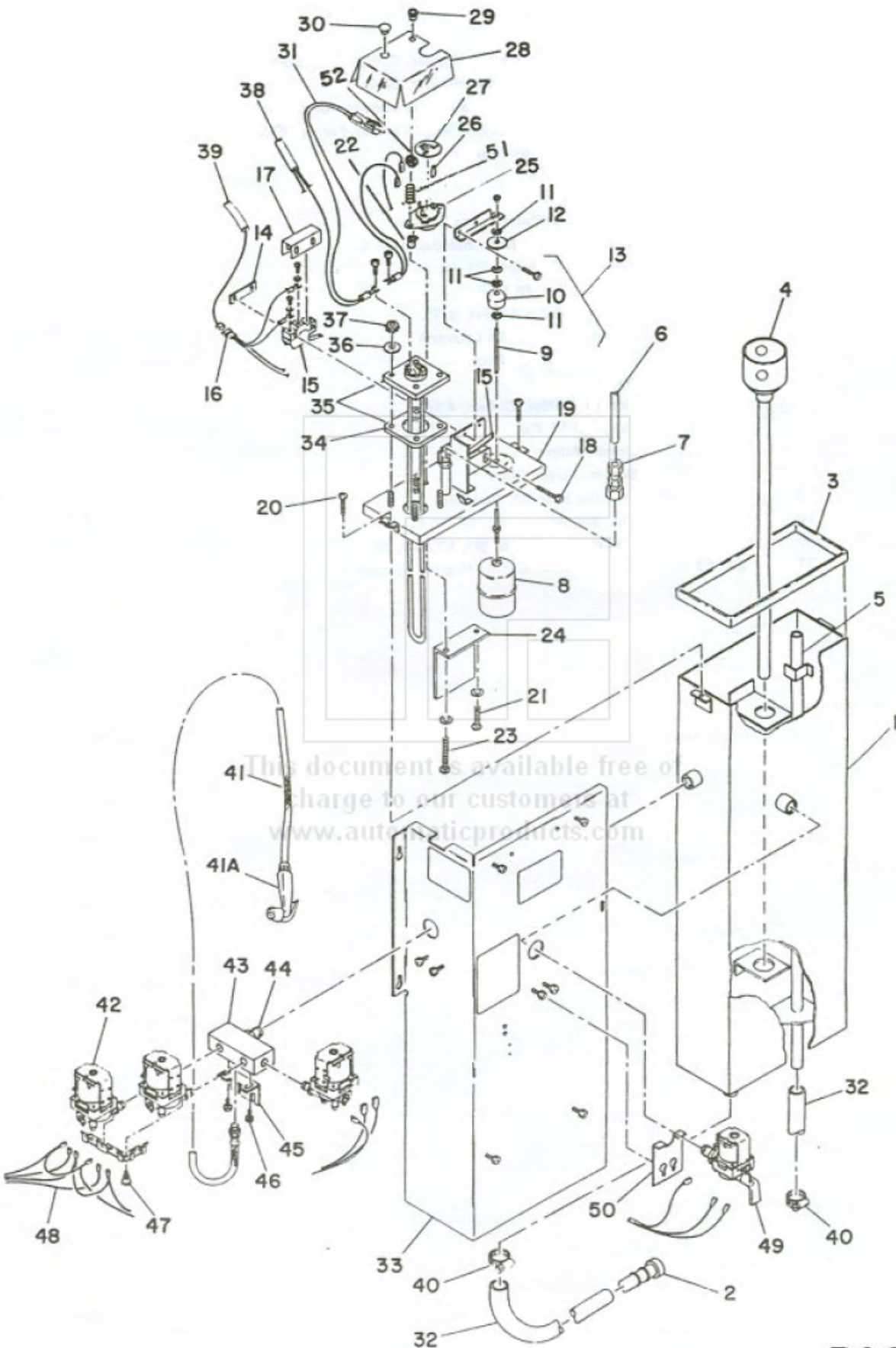
**CANISTER ASSEMBLY - COFFEE HOPPER 4 KG. SIZE
(WITH VACUUM-FORMED EXTENSION)**

1.	34850	Canister Asm, Coffee Hopper, Complete (Includes Items 2-17)
1A.	34854	Canister Asm, Coffee Hopper, Basic (Plastic canister with attached vacuum-formed extension only)
2.	33620-2	Lid, Coffee Hopper (For 4kg. Vacuum-Formed Extension)
3.	35961	Agitator, Coffee Hopper
4.	16058-11	Nyliner, 4I4FK
5.	14017	Axle, Wheel
6.	28143	Agitator, Coffee Hopper Bottom
7.	14420	Wheel Asm, Coffee (Includes Item 4)
8.	12503	Screw, 6-32 x 3/8 PH, PL
9.	00826	Washer, Flat #6 SCP
10.	25034	Screw, 6-32 x 3/8 FH, B, PL
11.	14011	Spout, Canister (No Louvers)
12.	14023	Auger and Shaft Asm
13.	14012	Bearing, Rear
14.	33354-2	Canister (only), Coffee, 4 kg.
15.	14190	Nut, 5/8-11 Pal
16.	25969	Driver, Auger
17.	25970	Screw, Auger Drive
18.	34852	Retainer Bracket, Agitator
19.	34853	Nut, Shoulder, 8-32, BR, NI-PL
20.	14491	Screw, 8-32 x 3/8, BH, ST, SD, ZP
21.	28143	Agitator Wire, Coffee Hopper Bottom



This document is available free of
charge to our customers at
www.automaticproducts.com

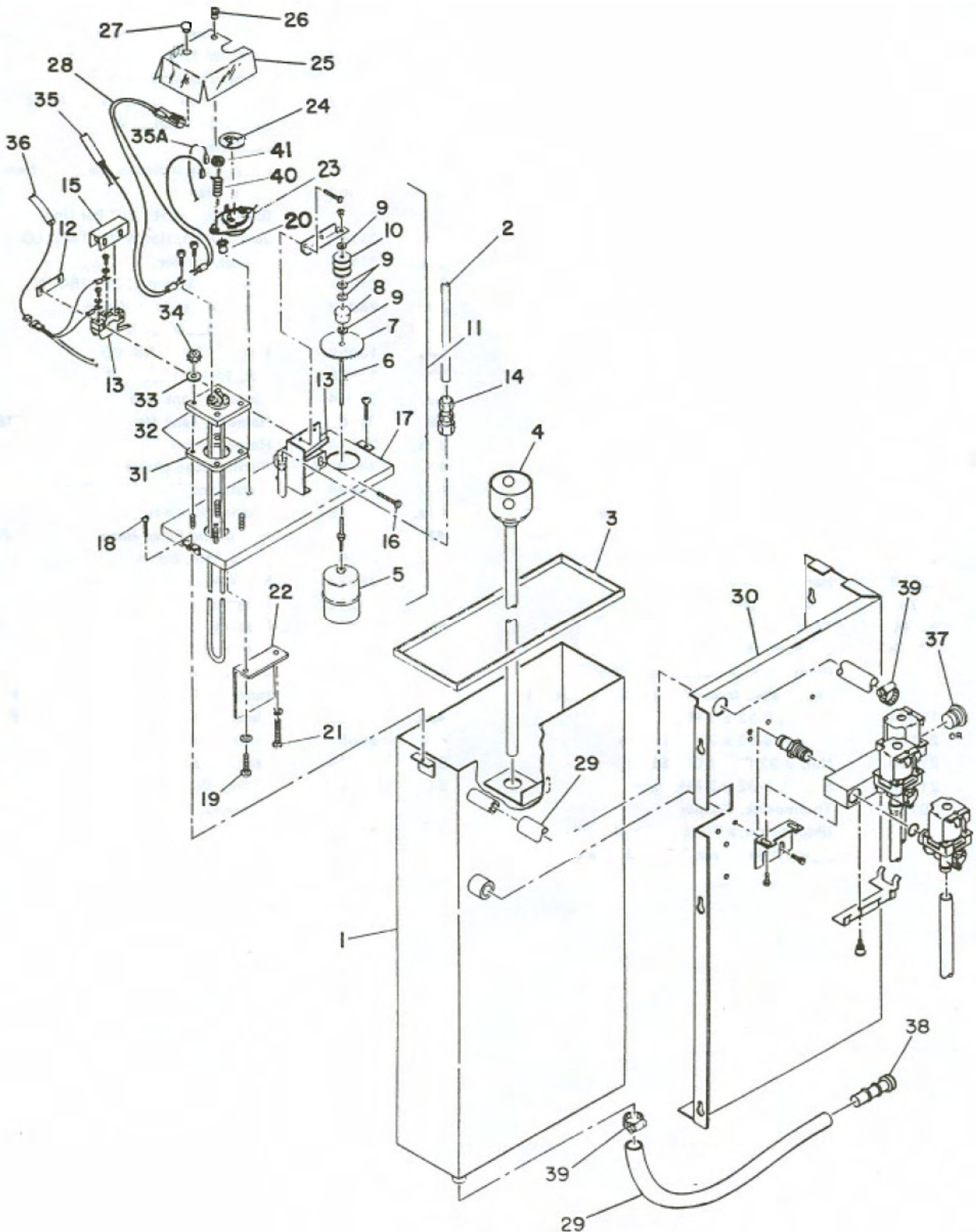
HOT WATER TANK – 211LG



HOT WATER TANK - 211LG

1.	37960	Tank Asm, Welded (Prior to ser. # 70681, use 30655) Export (Prior to ser. # 57526, use 30655)	25.	24655	Thermostat, 190 Degree, LG
			25a.	21899	Thermostat, 180 Degree, LG (Optional)
2.	33553	Plug, Drain Hose	26.	26837	Terminal, UFO-S .250, Pink
3.	22927	Gasket, Hot Water Tank	27.	30752	Cover, Thermodisc
4.	37996	Tube Asm Fill (Prior to ser. # 70681, use 22915) Export (Prior to ser. # 57526, use 22915)	28.	30657	Cover, Thermodisc, Lamp Mount
			29.	05625	Nut, 8-32 Knurled, AL
5.	30062	Tube, Overflow, LG, (Above ser. # 70681, No Longer Used) (Above ser. # 57526 No Longer Used)	30.	27934	Lens, Red
			31.	27956	Lamp Asm, Indicator Red (Incl. Item 30)
6.	36826	Tube, Asm Inlet	32.	33552	Hose, Drain (Bulk No. Per Ft., 24" Per Unit)
7.	36734	Union Reducer, 3/8 x 1/4, Complete	33.	31161	Jacket Asm, Hot Water Tank, LG
8.	35267	Float, Tank, Gray	34.	21684	Gasket, Heater
9.	26364	Rod, Float	35.	21801	Heater & Gasket 120V, 1500W
10.	26363-1	Cap, Float Rod, Black (Prior to ser. # 70681, use 26363) Export (Prior to ser. # 57526, use 26363)	36.	28812	Heater Asm, Immersion-Flange, Monel, 220V, 211E
			36a	13959	Washer, 3/8 x 7/8, CD
11.	26361	Fastener, Push-On,	37.	12518	Nut, 1/4-20 Kep, SCP
12.	26362	Stop, Float Rod 13.37881	38.	35514	Harness, Tank Heater, 211 LG
13.	37881	Float & Rod Asm (Incl. Items 8-12) (Prior to ser. # 70681, use 35377) Export (Prior to ser. # 57526, use 35377)	39.	36083	Harness, Tank Heater & Lamp, 211E
			39a.	35513	Harness Asm, Water Inlet, LG
14.	01179	Nut, 6-32 Twin-Speed	40.	34792-2	Clamp, Hose (Adjustable 1-1/4")
15.	19509	Switch, Float	41.	14494	Nozzle and Rinse Hose Asm.
16.	35513	Harness, Float Switch	41a.	27178	Nozzle, (Rinse Hose)
17.	00784	Cover, Insulation	41b.	14494-1	Nozzle and Rinse Hose Asm, 8FT, 211E
18.	35585	Screw, 6-32 x 1 3/4, PH, SCP	42.	26600112	Valve Asm, Eaton
19.	37959	Lid Asm, Hot Water Tank, Welded (Prior to ser. # 70681, use 30659) Export (Prior to ser. # 57526, use 30659)	43.	28522	Manifold
			44.	16216	Adapter
20.	17654	Screw, 6-32 x 1 PH, F, TP	45.	28614	Bracket, Manifold Retainer
21.	21143	Screw, 8-32 x 3/4 PH Brass	46.	14806	Screw, 8/32 x 3/8, HH, ST
22.	21390	Nut, 8-32 Stand-Off, SS	47.	29140	Screw, Bracket Retainer, Knurled
23.	21142	Screw, 8-32 x 2 PH Brass	48.	35512	Harness, Commodity Water Valves
24.	30728-1	Thermosink, Copper (Prior to ser. # 70681, use 30728) Export (Prior to ser. # 57526, use 30728)	48a.	36098	Harness, Commodity Valves, 211E
			49.	30854	Valve Asm, Brewer
			50.	28814	Bracket, Brewer Valve Retainer
			51.	37189	Spring, Compression, Thermostat
			52.	19927	Nut 6-32, Lock, Nylon Insert

HOT WATER TANK – 211FD



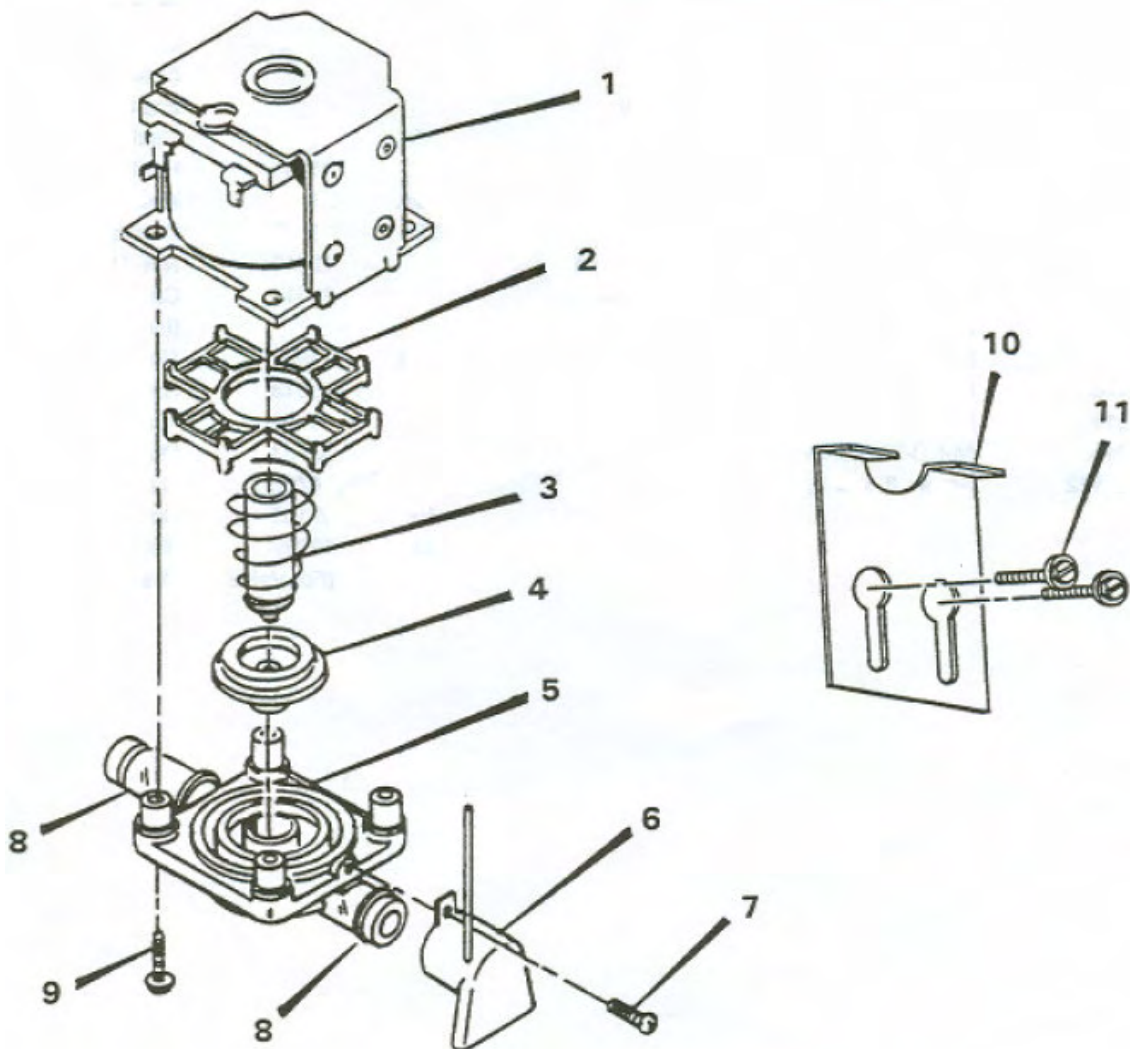
HOT WATER TANK - 211FD

1.	37965	Tank Asm, Welded (Prior to ser. # 70681, use 22897) Export (Prior to ser. # 57526, use 22897)	22.	30728-1	Thermosink, Copper (Prior to ser. # 70681, use 30728) Export (Prior to ser. # 57526, use 30728)
2.	36826	Tube, Asm Inlet	23.	21899	Thermostat, 180 Degree, FD (Two Terminal Type)
3.	22927	Gasket, Hot Water Tank	24.	30752	Cover, Thermodisc, Plastic
4.	37996	Tube Asm Fill W / Holes (Prior to ser. # 70681, use 22915) Export (Prior to ser. # 57526, use 22915)	25.	30657	Cover, Thermodisc, Lamp Mount
5.	35267	Float, Tank, Black	26.	05625	Nut, 8-32, Knurled, AL
6.	26364	Rod, Float	27.	27934	Lens, Red
7.	19025	Cover, Access	28.	27956	Lamp Asm, Indicator Red (Incl. Item 27)
8.	26363-1	Cap, Float Rod Black (Prior to ser. # 70681, use 26363) Export (Prior to ser. # 57526, use 26363)	29.	33552	Hose, Drain (Bulk No. Per Ft., 24" Per Unit)
9.	26361	Fastener, Push-On, TNN	30.	37962	Jacket, Hot Water Tank, FD (Prior to ser. # 73250, use 22909) Export (Prior to ser. # 57723, use 22909)
10.	26362	Stop, Float Rod	31.	21684	Gasket, Heater
11.	37881	Float & Rod Asm (Incl. Items 5-10) (Prior to ser. # 70681, use 35377) Export (Prior to ser. # 57526, use 35377)	32.	21801	Heater & Gasket 120V, 1500W
12.	01179	Nut, 6-32 Twin-Speed	32a.	28812	Heater Asm, Immersion-Flange, 220V,
13.	19509	Switch, Float	211E		
14.	36734	Union Reducer Asm, 3/8 x 1/4, Complete	33.	13959	Washer, 3/8 x 7/8, CD
15.	00784	Cover, Insulation	34.	12518	Nut, 1/4-20 Kep, SCP
16.	35585	Screw, 6-32 x 2 1/2 RH, SCP	35.	35514	Cable Asm, Heater FD (Incl. Items 35A & 1 of Item 13)
17.	30632	Lid Asm, Hot Water Tank, Welded	35a.	36083	Harness, Tank Heater & Lamp, 211E
18.	17654	Screw, 6-32 x 1 PH, F, TP	36.	35513	Harness Asm, Water Inlet, FD
19.	21143	Screw, 8-32 x 3/4, PH, Brass	37.	28078	Plug, Manifold
20.	21390	Nut, 8-32 Stand-Off, AL	38.	33553	Plug, Drain Hose
21.	21142	Screw, 8-32 x 2, PH, Brass	39.	34792-2	Clamp, Hose (Adjustable 1-1/4)
			40.	37189	Spring, Compression, Thermostat
			41.	19927	Nut 6-32, Lock, Nylon Insert (For Valve Asm See Pages 8.05, 8.06)

EATON BREWER VALVE ASSEMBLY - 26600576

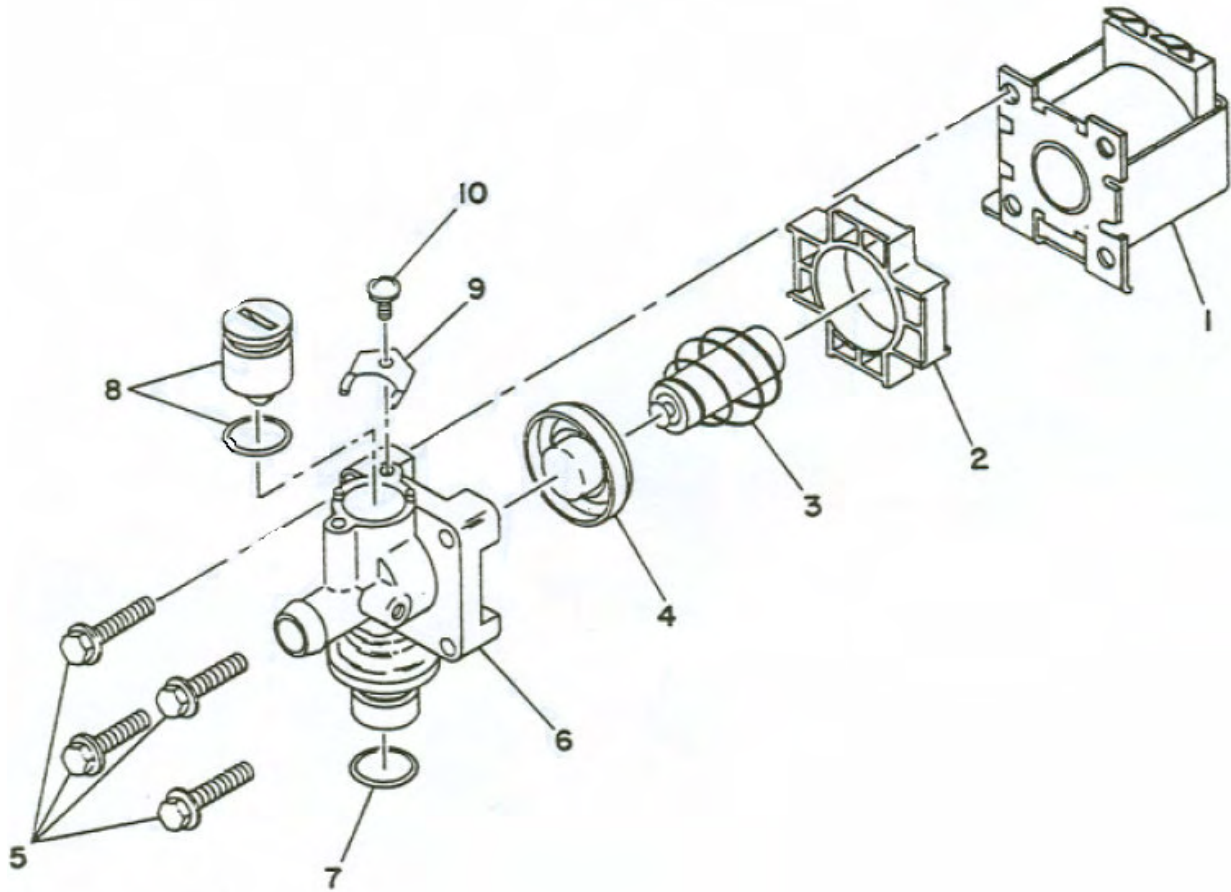
1.	30596	Coil, Red	7.	28825	Screw, 6 x 5/16, PH, Type 25, SCP
2.	27787	Adapter, Eaton Valve	8.	14759	"O" Ring, 1/2 x 5/8
3.	26600575	Armature & Spring	9.	27791	Screw, Valve Mounting
4.	32911	Diaphragm	10.	28814	Bracket, Brewer Valve Retainer
5.	33424	Body, Brewer Valve	11.	14806	Screw, 8-32 x 3/8, HH, SCP
6.	28733	Spout, Brewer Valve	12.	31272	Kit, Eaton Valve Rebuild (Includes Items 1, 3, 4, 8, 9)

Note: Items 10 and 11 are Sold Separately from Valve Assembly



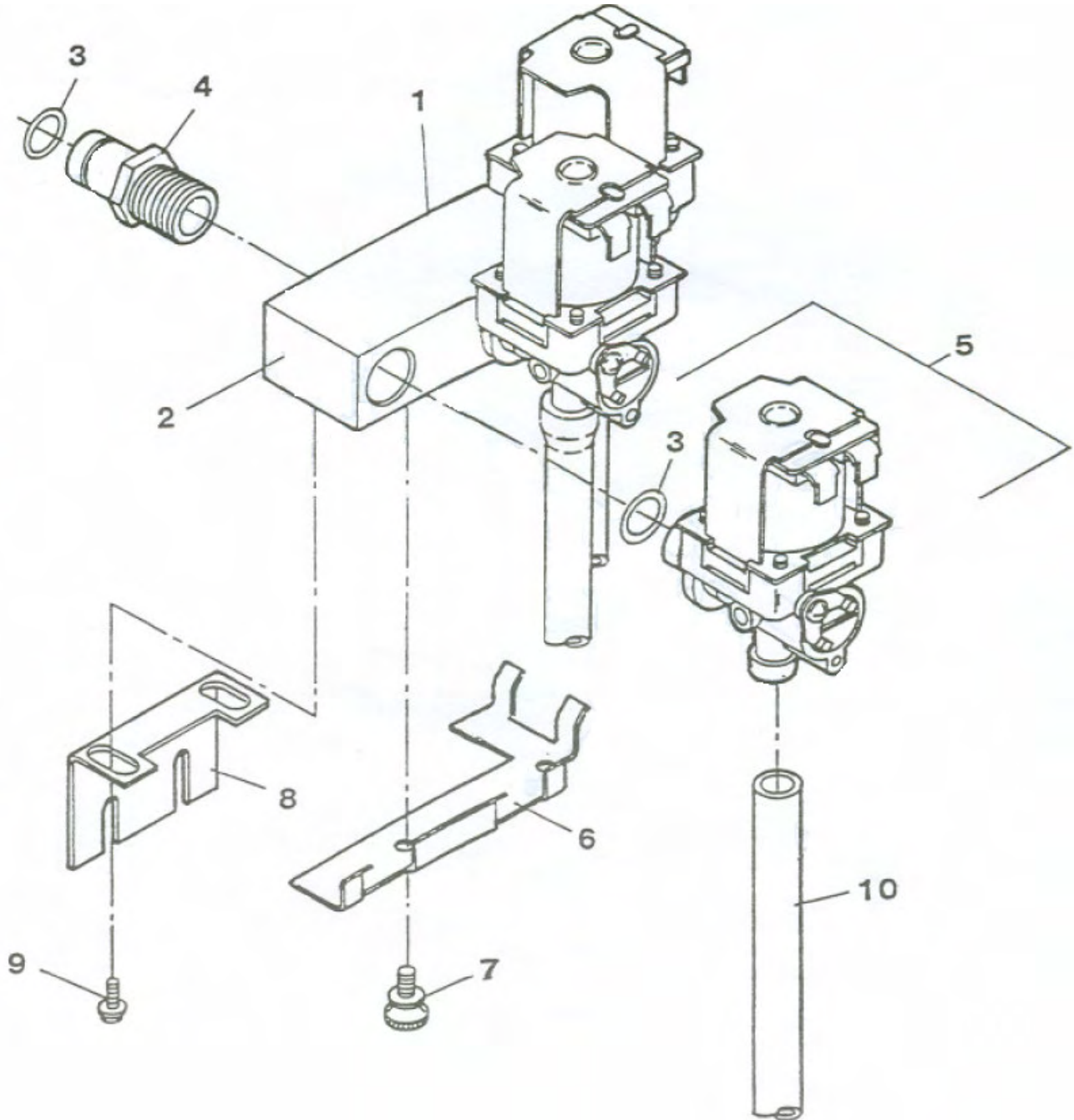
EATON COMMODITY VALVE ASSEMBLY - 26600112

- | | | | | | | |
|----|----------|------------------------------|--|-----|-------|--|
| 1. | 26700012 | Coil, Red | | 8. | 27788 | Adjusting Screw Asm (Incl. Item 11) |
| 2. | 27787 | Adapter | | | 9. | N/A |
| 3. | 26600011 | Armature & Spring | | | 10. | N/A |
| 4. | 32911 | Diaphragm | | | 11. | 32864 |
| 5. | 27791 | Screw, Valve Mounting | | | 12. | 26600112 |
| 6. | 27786 | Body, Valve | | | | Valve Asm Comm. (Incl. Items 1-11) |
| 7. | 14759 | "O" Ring, 1/2 x 5/8 (Purple) | | 13. | 31272 | Kit, Eaton Valve Rebuild
(Includes Items 1, 3, 4, 7, 5) |



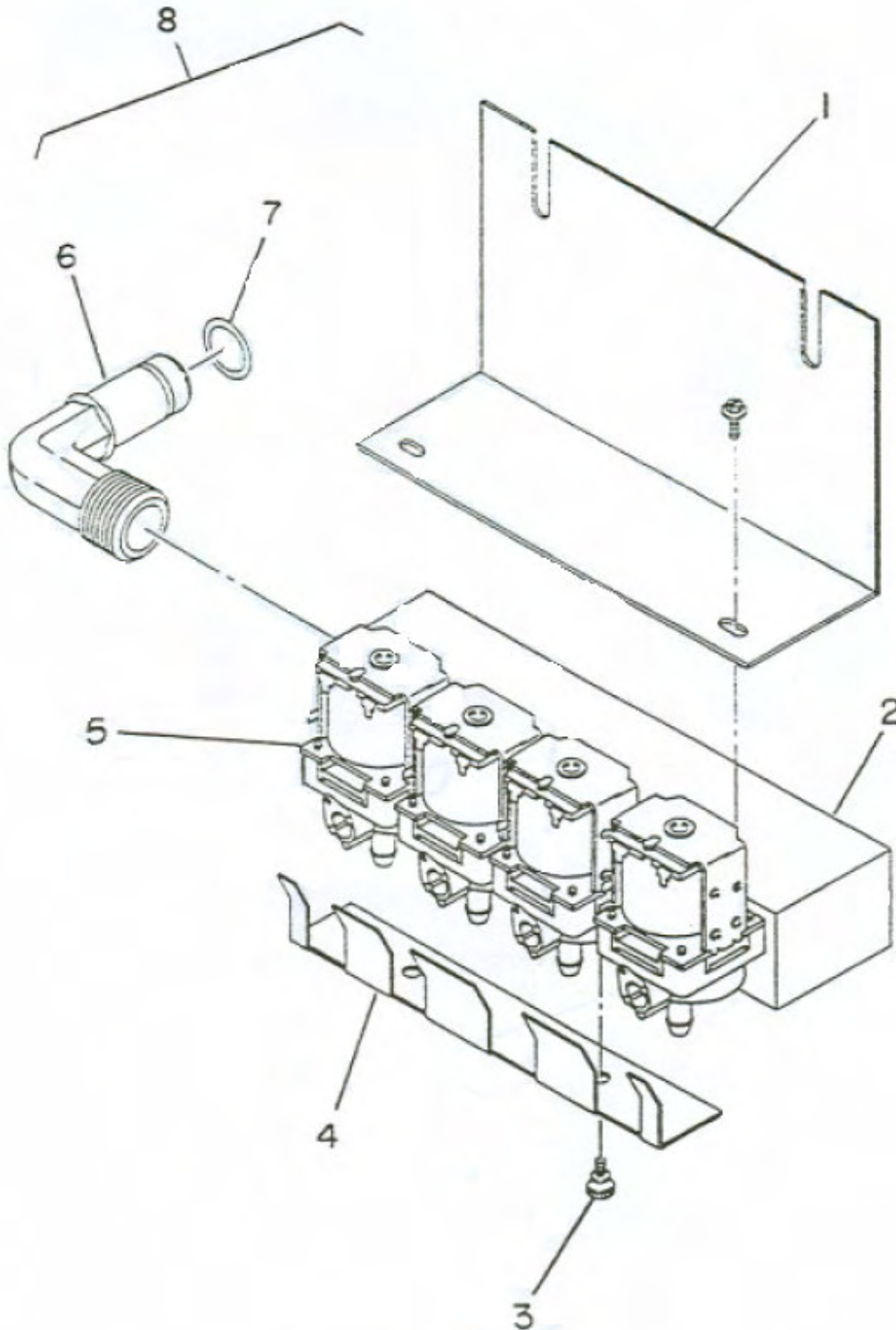
MANIFOLD & VALVE ASSEMBLY - EATON COMMODITY VALVES

- | | | | | | |
|----|----------|--|-----|-------|----------------------------|
| 1. | 30861 | Manifold & Valve Asm (Incl. Items 1-7) | 6. | 28667 | Bracket, Valve Retainer |
| 2. | 28522 | Manifold, Block, Three Valve Port | 7. | 19114 | Screw, Bracket Retainer |
| 3. | 14759 | "O" Ring, 1/2 x 5/8 | 8. | 28614 | Bracket, Manifold Retainer |
| 4. | 16216 | Adapter | 9. | 14806 | Screw 8/32 x 3/8 HH ST |
| 5. | 26600112 | Valve Asm Eaton (See page 8.04) | 10. | 19033 | Tube Silicone (Per Inch) |



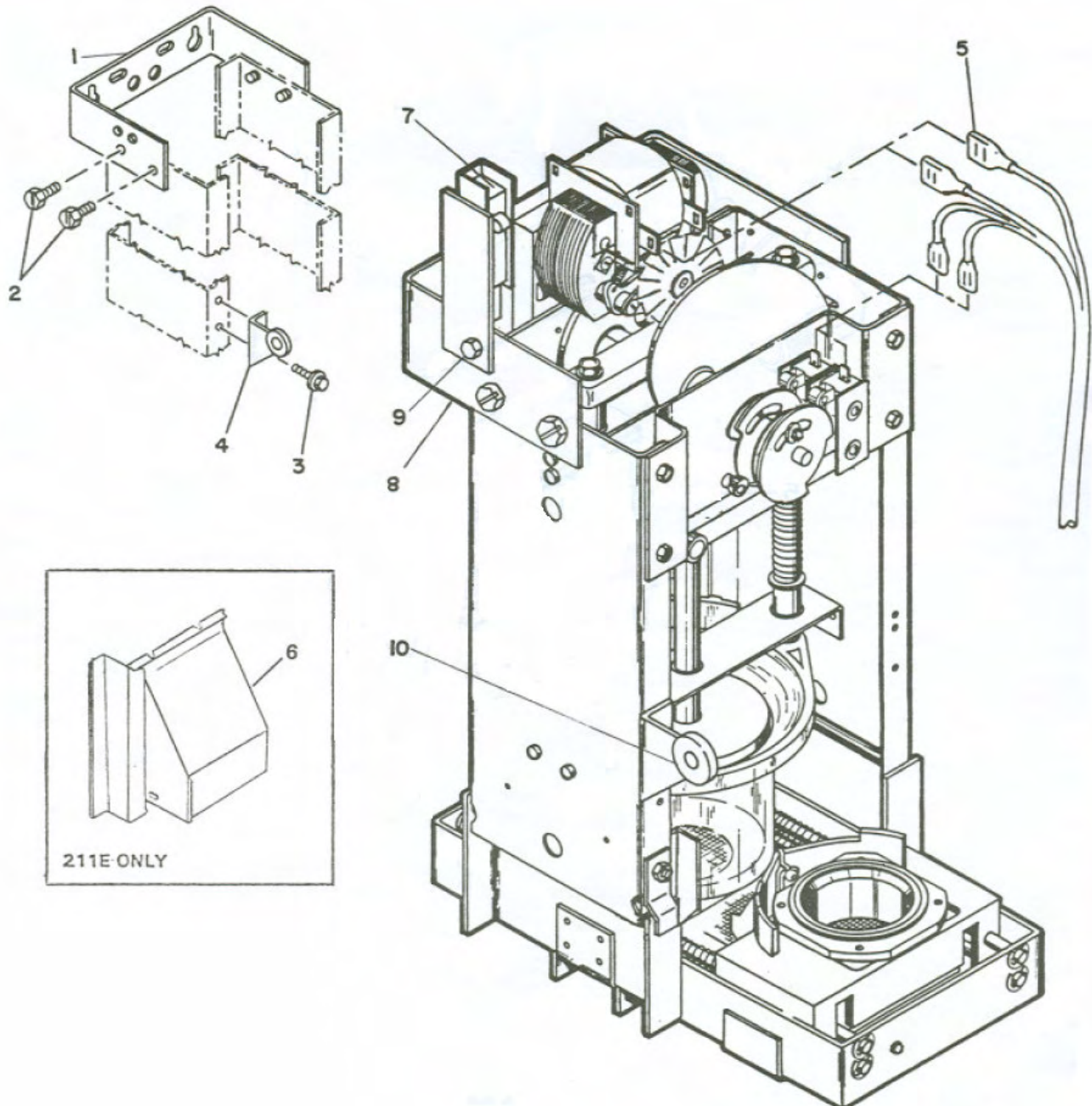
MANIFOLD ASSEMBLY - 4 VALVE- 211E

1. 36206 Bracket, Manifold/Eaton, 211E
2. 36203 Manifold, 4 Valves, Eaton, 211E
3. 19114 Thumb Screw, 8-32 X 3/8
4. 36204 Bracket, 4 Valves, Eaton, 211E
5. 26600112 Valve Asm, Commodity, Eaton (See page 8.04)
6. 36205 Elbow, Manifold, Eaton, 211E
7. 14759 Ring, "O", 1/2 X 5/8, EP
8. 36629 Manifold/4 Valve Assembly, Complete, 211E



BREWER ASM 211 LG

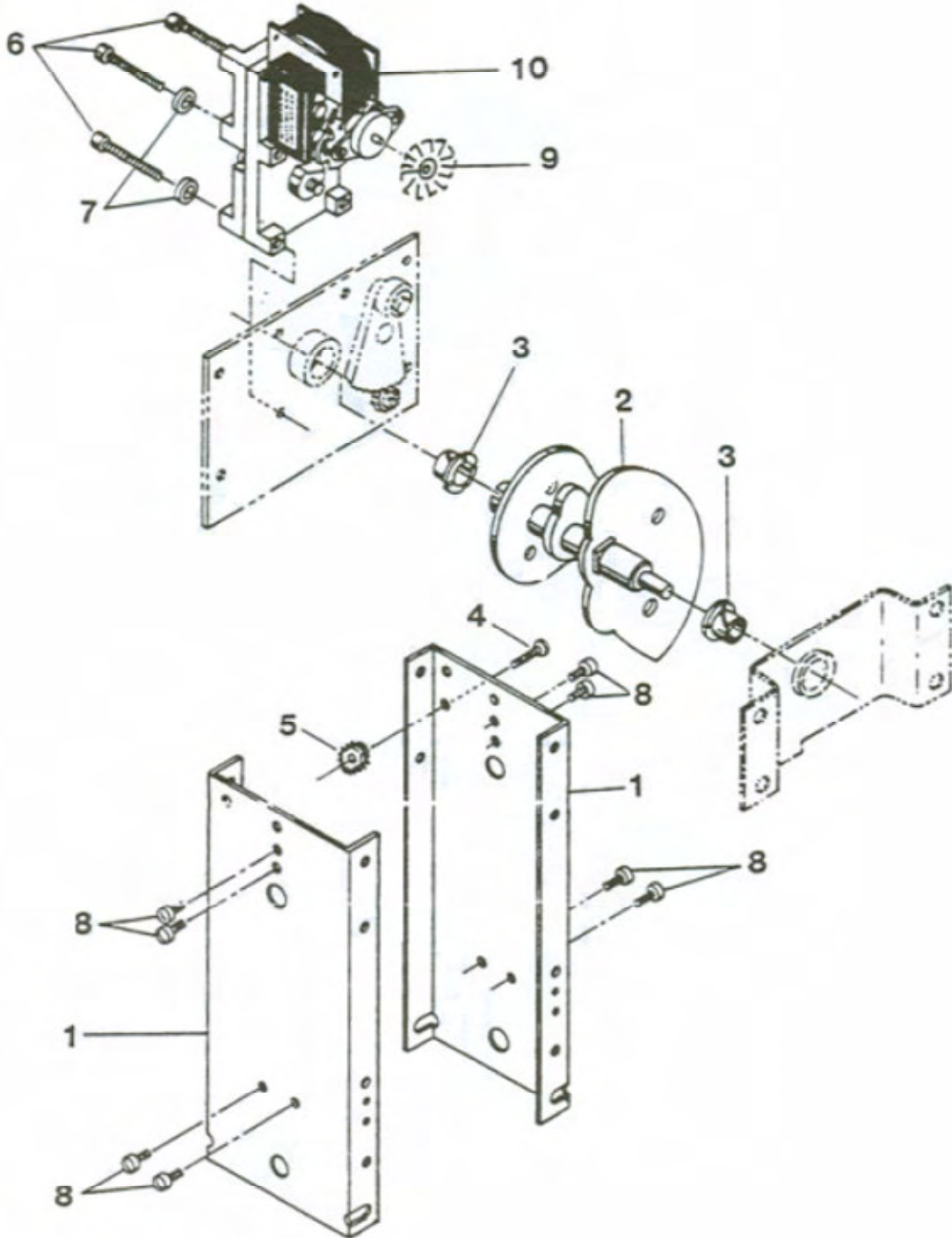
	35738	Brewer Asm, Complete
	36208	Brewer Asm, 211E, Complete
1.	17730	Bracket, Brewer Hanger
2.	14805	Screw, 10-32 x 3/8, HH, SD, CD
3.	14806	Screw, 8-32 x 3/8, HH, SCP
4.	18853	Bracket Asm, Coffee Hopper Positioning
5.	35554	Harness, Brewer Coffee
5a.	36087	Harness, Brewer Coffee, 211E
6.	36125	Cover, Brewer, 211E (Export Only)
7.	27034	Relay, Power SPDT 120 VAC, Brewer Delay
8.	32418	Bracket, Brewer Support
9.	14806	Screw, 8-32 x 3/8
10.	18853	Bracket ASM, Roller



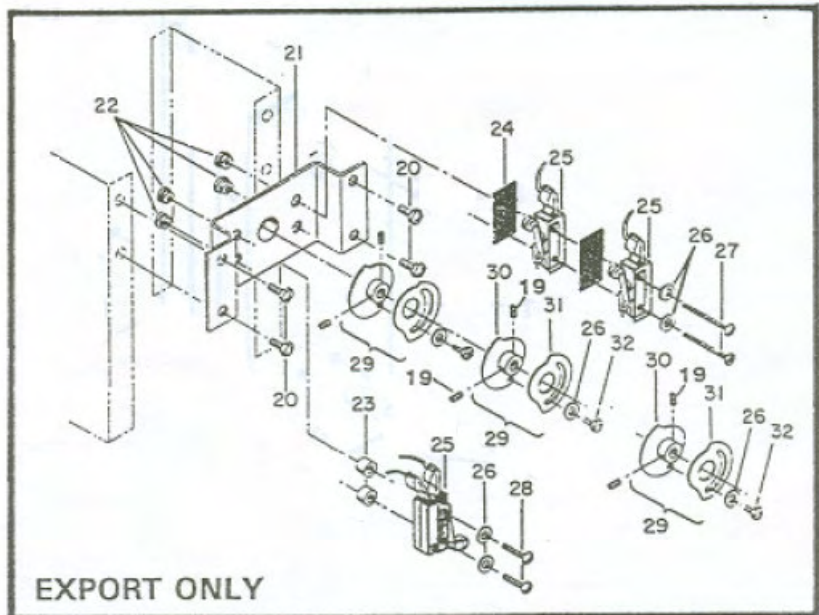
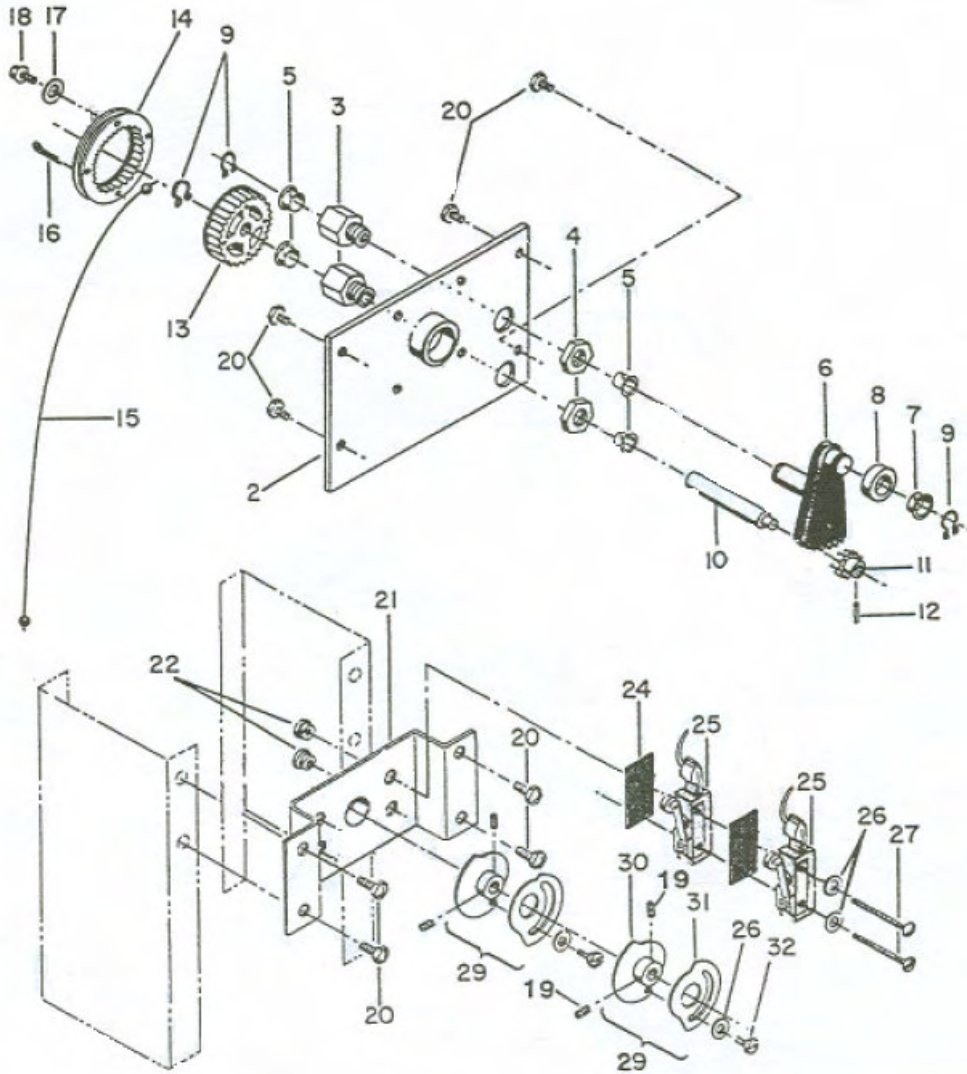
BREWER MAIN FRAME ASSEMBLY

1. 17332 Channel, Brewer Side
2. 17519 Cam Asm, Brewer
3. 16058-5 Nyliner, 12L12FGS
4. 17413 Screw 8-32 x 1 1/4, RH, M
5. 11749 Nut, 8-32 KEP, PL
6. 17846 Screw, 10-32 x 2, SK, CAP
7. 17423 Washer Lock #10 Internal Star SCP
8. 14805 Screw, 10-32 x 3/8, HH, SD, CD
9. 17584 Blade, Fan, 1 5/8 Diameter
10. 26700036 Motor, 120V, 60 Hz

10A. 34076 *Motor, Brewer, 105v, 50 HZ, 1.6 Amps*



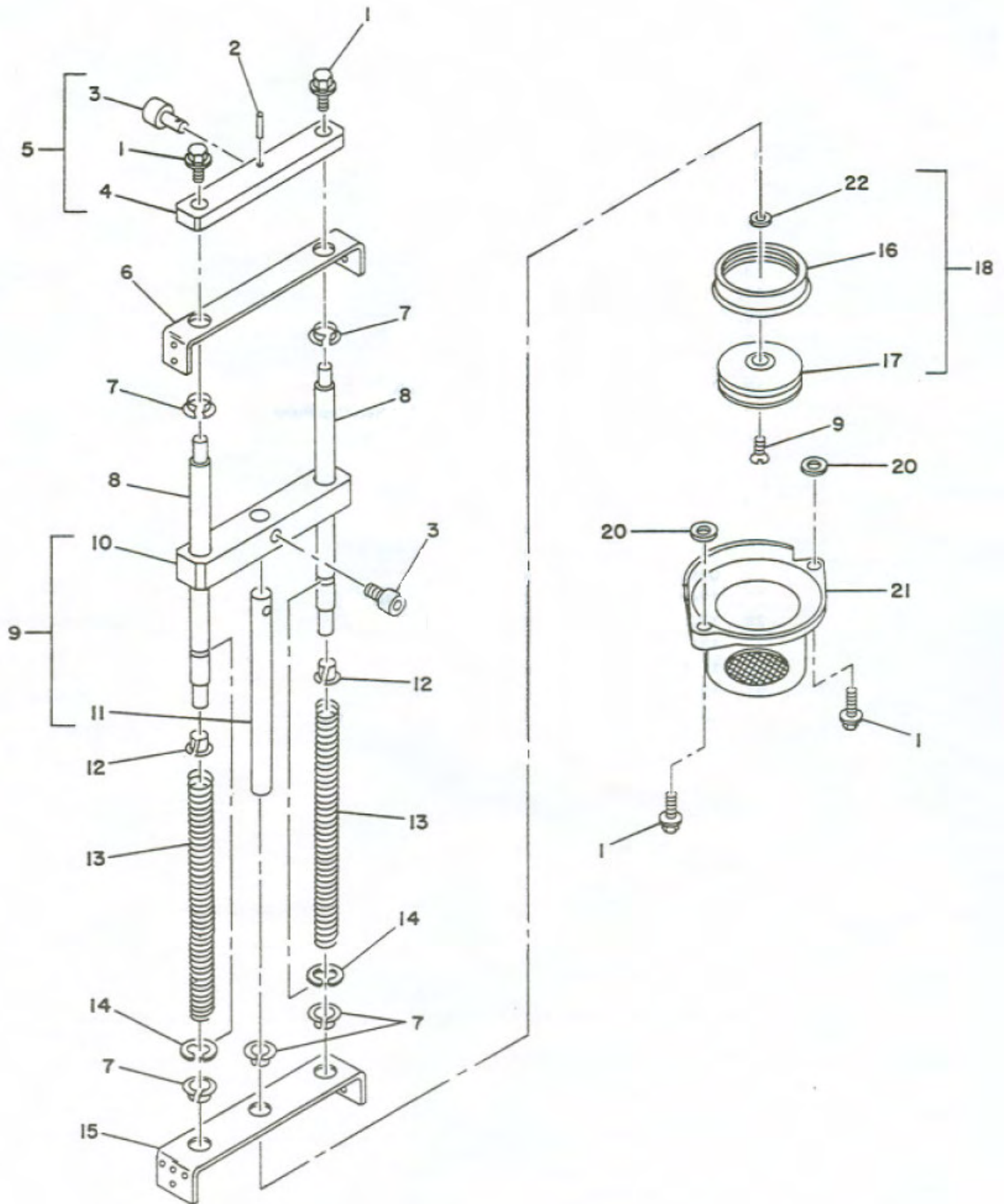
BACK PLATE & FRONT CHANEL ASSEMBLY



BACK PLATE & FRONT CHANNEL ASSEMBLY

1. 18970 Panel Asm, Brewer, Back, Complete
(Includes Items 2-18)
2. 17531 Panel, Back Asm
3. 17683 Sleeve Bearing
4. 00822 Nut, 5/8-18 x 3/16, HEX, BR
5. 16058 Nyliner 6L6F
6. 15522 Gear Asm Segment
7. 16438 Nyliner Cam Follower, Special
8. 15512 Cam Follower
9. 17521-7 Ring, Retaining, E 318 BLU
10. 15521 Shaft, Pinion
11. 15520 Pinion, Gear
12. 14511 Pin, Roll, 3/32 x 1/2 SS
13. 15554 Spool, Hub
14. 15553 Spool
15. 17404 Cable Asm, Slow Return
16. 17412 Pin, Cotter, 1/16 x 3/4 SS
17. 00961 Washer, Flat, #8 Plated
18. 14806 Screw, #8-32 x 3/8 S.T.H.H.
19. 00652 Screw, #6-32 x 3/16 Socket Set, Cup Point
20. 22220 Screw, 10-32 x H.H.S.T. Plated
21. 18971 Channel Asm, Front Brewer
22. 17848 Insulator, Threaded
23. 17874 Spacer, Nylon
24. 19557 Insulator, Spacer
25. 17583 Switch, Unimax, AA413A
26. 00826 Washer, Flat, #6, SCP
27. 17428 Screw, #6-32 x 1 3/4, HH, Plated
28. 17429 Screw, #6-32 x 1-1/2, RH, Plated
29. 13147 Cam Asm, Complete
30. 13151 Cam w/Hub, Stationary
31. 13152 Cam, Slotted
32. 13154 Screw, #6-32 x 1/4 H.H.S.T. Plated

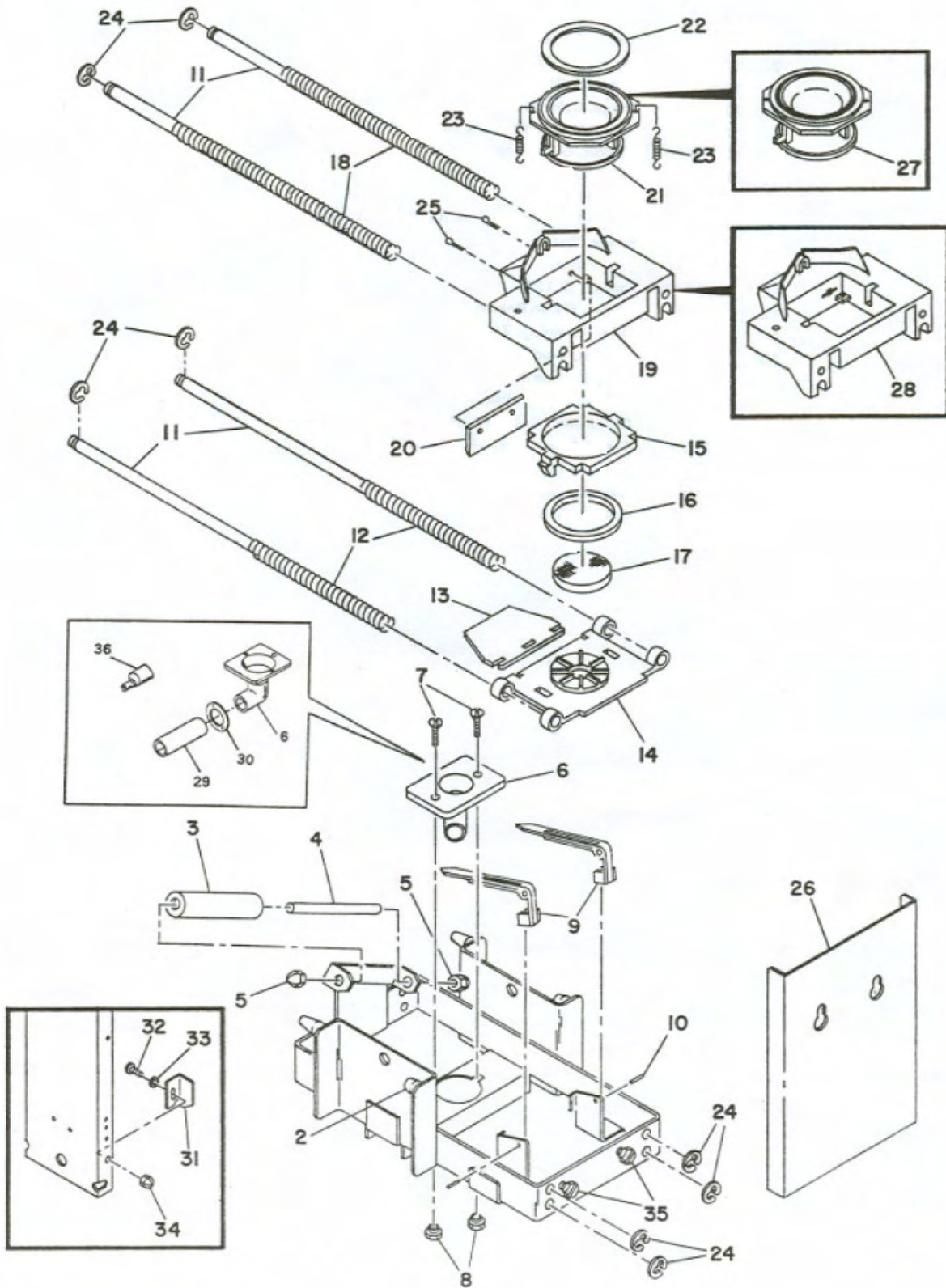
BREWER CYLINDER AND PISTON ASSEMBLIES



BREWER CYLINDER AND PISTON ASSEMBLIES

1. 17415 Screw, 1/4-20 X 1/2 , HH, Washer Faced
2. 14511 Pin, Roll, 3/32 X 1/2, S.S.
3. 11947 Follower, Cam, Sealed
4. 17324 Bridge, Cylinder
5. 18996 Bridge Asm, Cylinder (Includes Items 2,3 & 4)
6. 17326 Bracket, Guide Top
7. 16058-17 Nyliner, 8L2FF
8. 17322 Rod, Cylinder
9. 18997 Bridge Asm, Piston (Incl. Items 3, 10, 11)
10. 17323 Bridge, Piston
11. 17327 Rod, Piston
12. 16058-16 Nyliner, 8L12F
13. 11956 Spring, Piston Return
14. 17521-10 Ring, Retaining, 7/16, SS
15. 17325 Bracket, Guide, Bottom
16. 29482 Seal, Silicone White
17. 29481 Piston, Molded, Red
18. 29483 Piston Asm Complete (Incl. Items 16, 17, & 22)
19. 12716 Screw 1/4-20 x 1 1/4 FHST Nylock
20. 13839 Washer, Special Cylinder
21. 32714 Cylinder Brewer
22. 13085 Gasket, Rod Seal

BREWER BASE ASSEMBLY WITH DEEP CAVITY BREW



BREWER BASE ASSEMBLY

WITH DEEP CAVITY BREW CHAMBER

1.	28534	Base Asm Complete (Incl. Items 2-31)
2.	28531	Frame, Only
3.	14370	Idler, Roller
4.	16291	Shaft, Idler
5.	16419	Push Nut, Palnut
6.	17898	Funnel
7.	15022	Screw, #6-32 x \square F.H.S.S.
8.	04862	Nut, Thumb, #6-32
9.	15019	Pawl
10.	14780	Pin, 1/16 x 1/4 S.S.
11.	14344	Rod, Carriage & Filter Support
12.	14354	Spring, Filter Return
13.	27926	Cover, Funnel
14.	28020	Support, Filter
15.	16721	Filter
16.	16724	Seal, Ring Filter
17.	16723	Screen, Support, Filter
18.	15528	Spring, Carriage Return
19.	35147-3	Carriage, Brew
20.	28526	Blade, Wiper
21.	28406	Chamber, Brew
22.	12798	Seal, Brew Cavity
23.	14435	Spring, Brew Chamber
24.	17521-3	Ring, Retaining
25.	06031	Pin, Cotter, 1/16 x 1/2 S.S.
26.	37243	Guard, Splash, Brewer
27.	29372	Chamber, W/Seal Installed
28.	29373	Carriage, Brew, w/Wiper Installed
29.	11115	Tube, PVC, Brewer to Trough (Order per/Ft.)
30.	19047	Ring, Drip
31.	32715	Bracket, Latch, Base Asm
32.	11073	Screw, #8/32 x 1/2 PH, M, PL
33.	00961	Washer, Flat #8 SCP
34.	21042	Nut, #8/32 Stop SCP
35.	14805	Screw, #10/32 x 3/8 HEX Head
36.	32285	Adapter, Brewer, Tube-Trough, 211E