

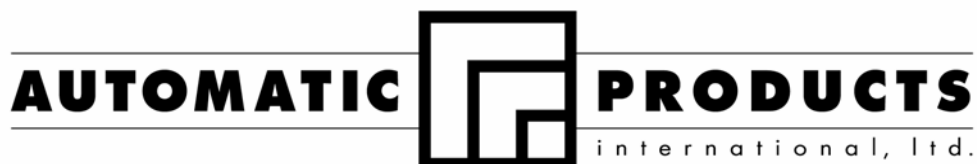
AUTOMATIC PRODUCTS international, ltd.

HOT BEVERAGE MERCHANDISER

MODEL 223 PARTS MANUAL

PLEASE

**DO NOT REMOVE
MANUAL FROM
MACHINE**



A Higher Standard.

75 West Plato Blvd, Saint Paul, MN 55107

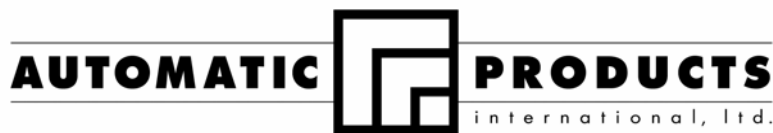
LIMITED EXPRESS WARRANTY

Automatic Products International, Ltd. (API) warrants these automatic merchandisers (the "Unit"), manufactured by it, to be free under normal use and service from defects in material or workmanship for a period of two (2) years from the date of delivery of this Unit to the original purchaser who purchased the Unit either directly from API or from an authorized API dealer or distributor ("API Dealer/Distributor"). This warranty extends only to the original purchaser of the Unit, but only if purchased either directly from API or from an authorized API Dealer/Distributor ("Original Purchaser"), and is limited to the repair or replacement, at API's sole option, of any part or parts of the Unit that are returned to API or to the authorized API Dealer/Distributor from whom the Unit was originally purchased, with all transportation charges prepaid by Original Purchaser, and which, on API's examination, such returned part or parts shall conclusively appear to have been defective. This warranty does not extend to:

1. Any Unit, or part thereof, that was subjected to misuse, neglect, or accident by anyone other than API after its delivery to the Original Purchaser;
2. Any Unit, or part thereof, that was modified, altered, incorrectly wired or improperly installed by anyone other than API or used in violation of the instructions provided by API;
3. A Unit, or part thereof, which has been repaired or altered by anyone other than API or an authorized API Dealer/Distributor;
4. A Unit, or part thereof, which has had the serial number removed, defaced, or otherwise altered;
5. Any plastic or glass windows, lamps, fluorescent tubes, and water contact parts;
6. Any Unit used outdoors;
7. Any accessories used with the Unit that were manufactured by some person or entity other than API; or
8. Any Unit repaired within the warranty period with parts other than genuine API built or endorsed parts.

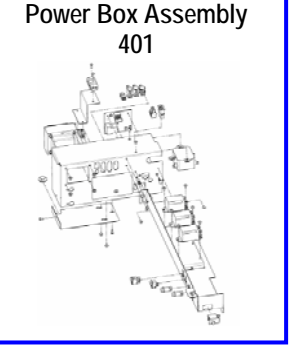
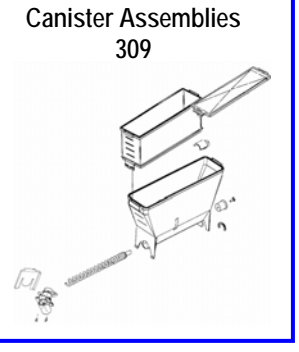
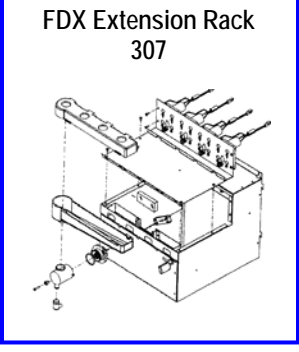
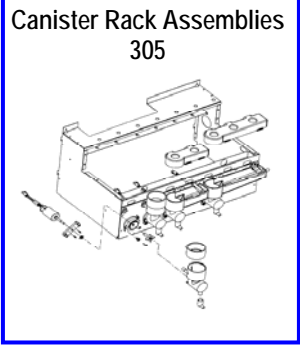
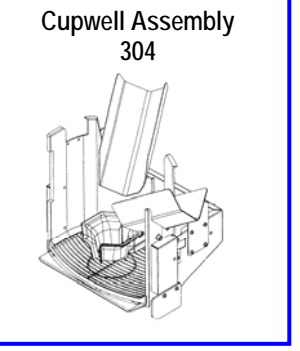
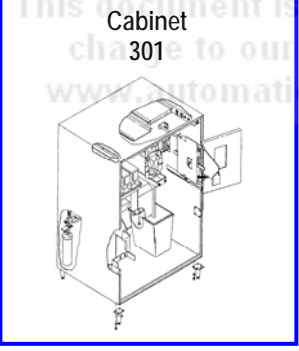
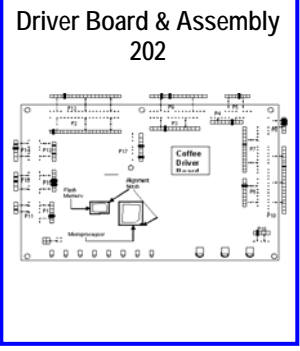
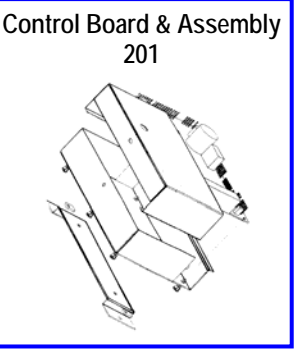
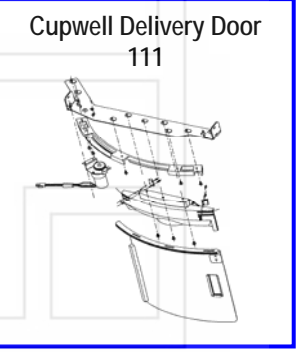
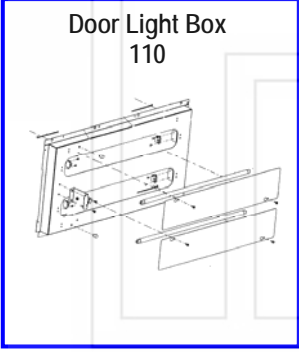
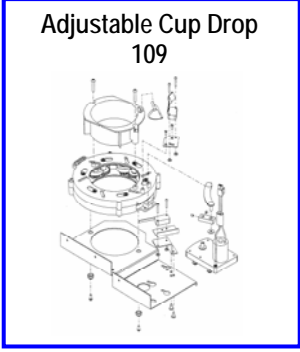
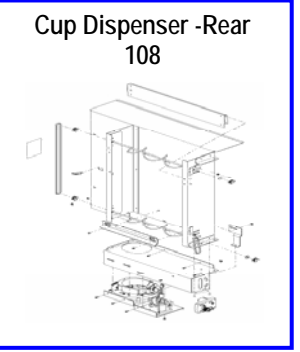
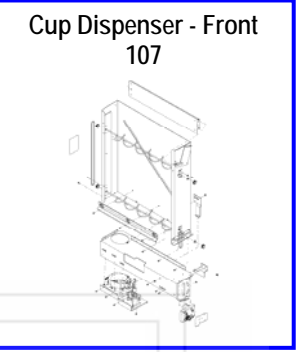
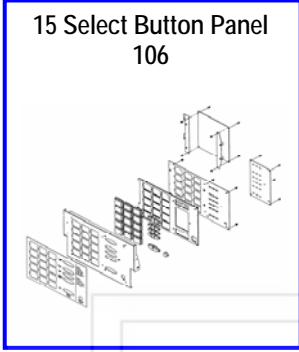
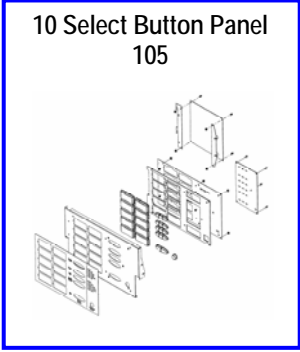
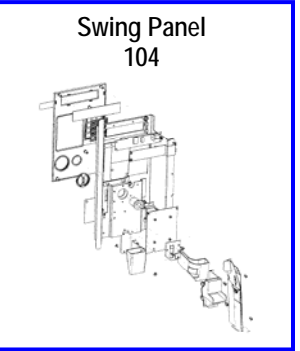
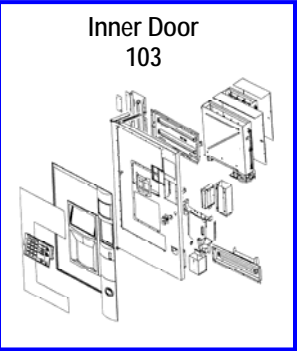
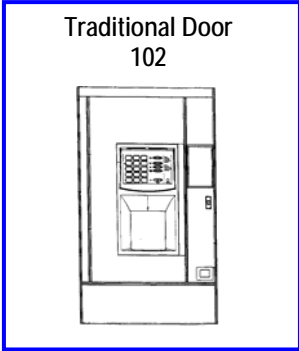
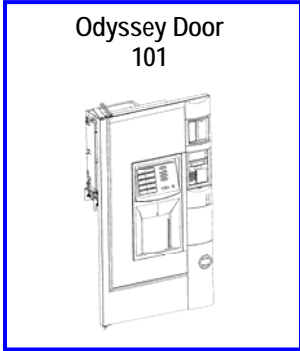
API DISCLAIMS ALL OTHER WARRANTIES OF ANY KIND AS TO THE UNIT AND ALL WARRANTIES OF ANY KIND AS TO ANY ACCESSORIES. THIS DISCLAIMER OF WARRANTIES INCLUDES (1) ANY EXPRESS WARRANTIES OTHER THAN THE LIMITED WARRANTY PROVIDED ABOVE AS TO THE UNIT AND (2) ALL IMPLIED WARRANTIES OF MERCHANTABILITY AND FITNESS FOR A PARTICULAR PURPOSE AS TO THE UNIT AND ANY ACCESSORIES. UNDER NO CIRCUMSTANCES SHALL API BE RESPONSIBLE FOR ANY INCIDENTAL, CONSEQUENTIAL OR SPECIAL DAMAGES, LOSSES OR EXPENSES (INCLUDING BUT NOT LIMITED TO LOST PROFITS, LOST SALES, INJURY TO PERSON OR PROPERTY) ARISING FROM OR IN CONNECTION WITH THE USE OF, OR THE INABILITY TO USE, THE UNIT FOR ANY PURPOSE WHATSOEVER REGARDLESS OF THE LEGAL THEORY (CONTRACT, TORT OR OTHER). IN NO EVENT WILL API BE OBLIGATED TO PAY DAMAGES FOR ANY AMOUNT EXCEEDING THE PRICE PAID FOR THE UNIT. No representative of API or any other person is authorized to assume for API, or agree to on the behalf of API, any other liability or warranty in connection with the sale of this Unit.

API reserves the right to make any changes or improvements in its products without notice and without obligation, and without being required to make corresponding changes or improvements in Units theretofore manufactured or sold.



A Higher Standard.

75 West Plato Blvd.
St. Paul, MN. 55107 USA
651-224-4391
651-224-5559 (fax)



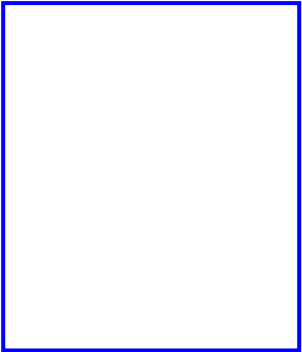
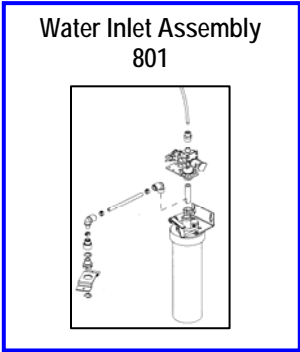
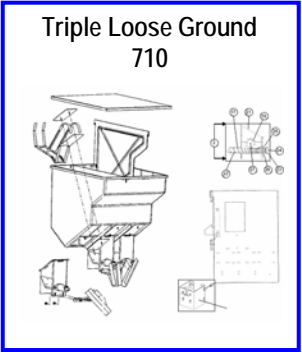
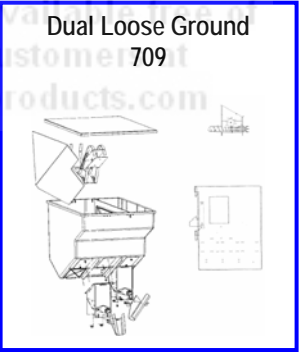
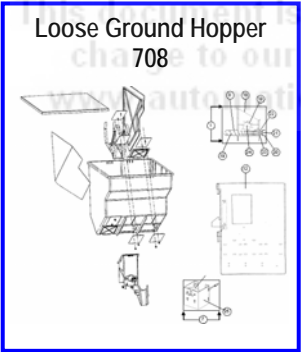
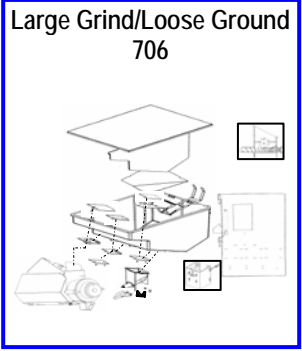
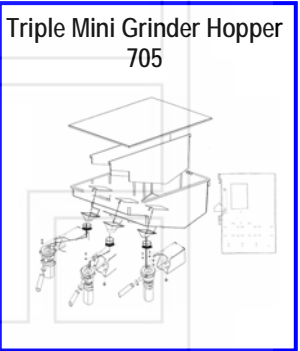
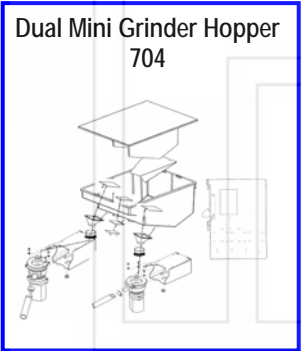
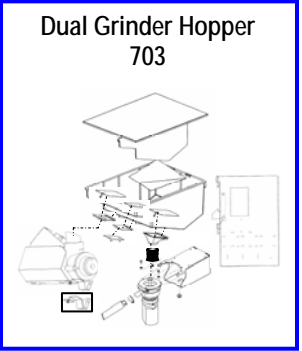
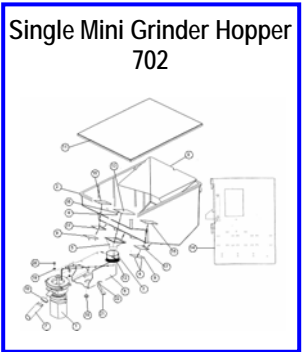
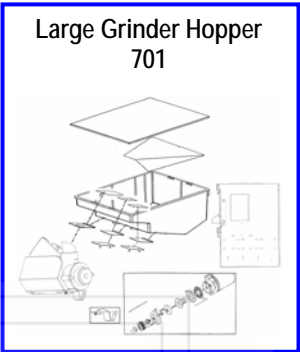
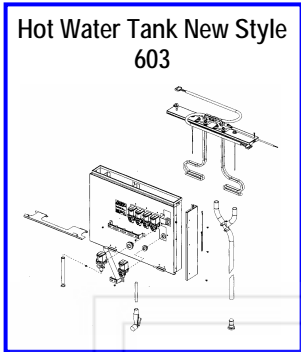
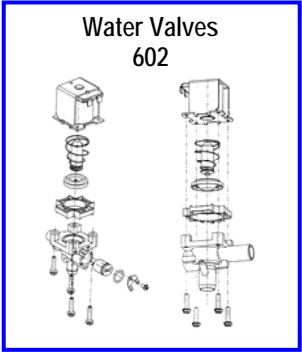
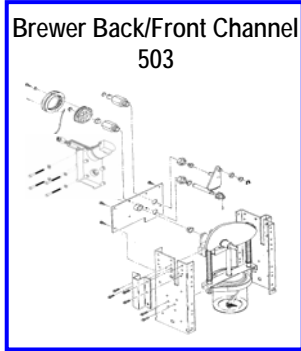
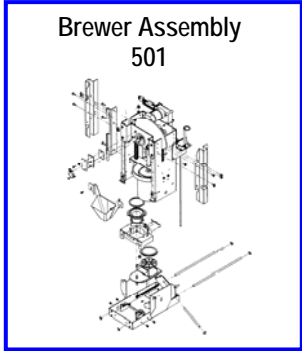
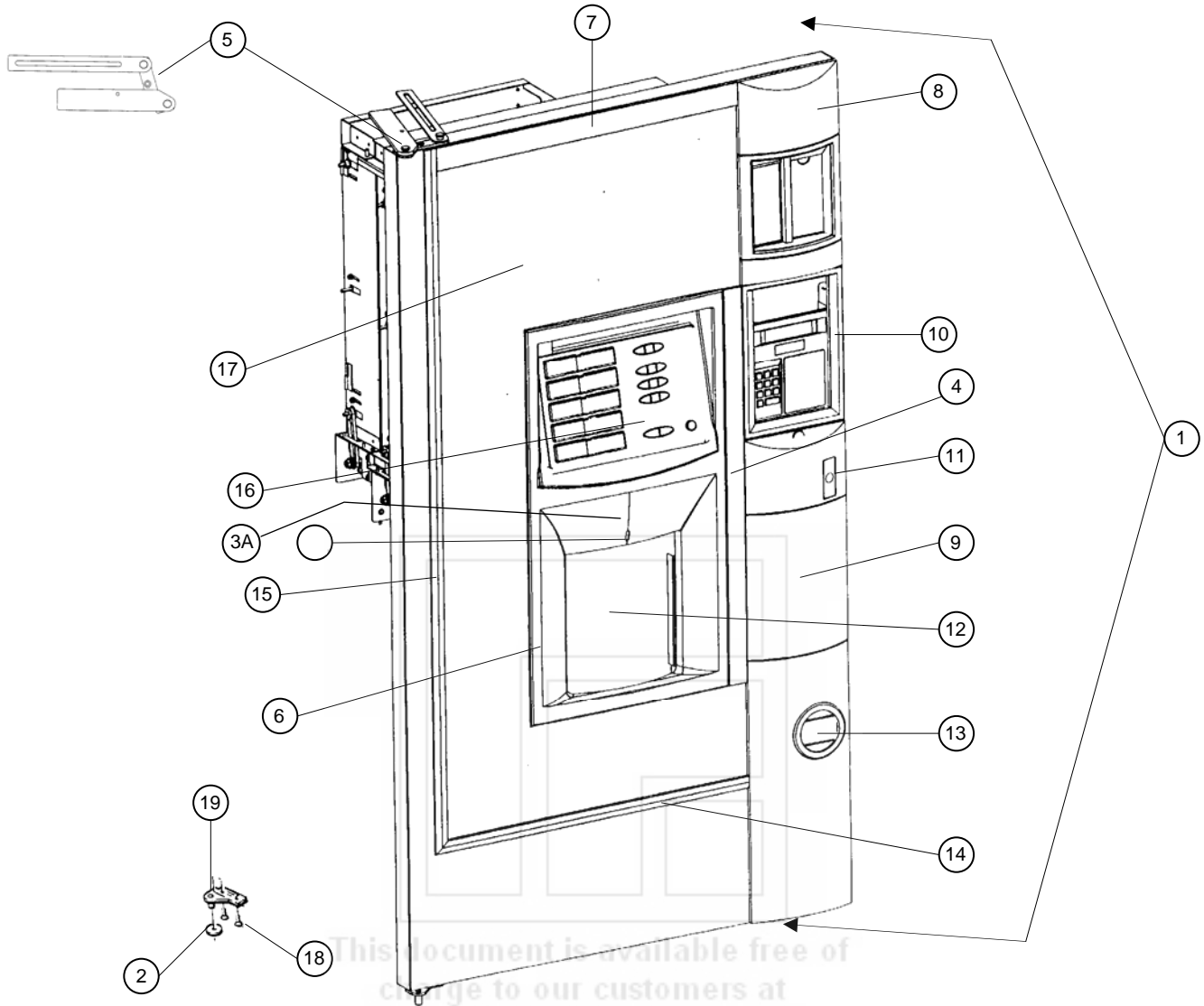


table of contents

DOOR, EXTERIOR, ODYSSEY STYLE	101
DOOR, EXTERIOR, TRADITIONAL STYLE	102
DOOR, INTERIOR.....	103
MASTER MENU SWING-OUT PANEL	104
10-SELECT PANEL / BUTTON ASSEMBLY	105
15-SELECT PANEL / BUTTON ASSEMBLY	106
CUP DISPENSER ASSEMBLY – FRONT (CABINET # 1)	107
CUP DISPENSER ASSEMBLY – REAR (CABINET # 2).....	108
ADJUSTABLE CUP DROP ASSEMBLY	109
DOOR LIGHT BOX ASSEMBLIES.....	110
CUPWELL DELIVERY DOOR & LIGHT ASSEMBLY	111
COFFEE CONTROL BOARD, HARNESS, AND COMPONENTS	201
COFFEE DRIVER BOARD, HARNESS, AND COMPONENTS	202
CABINET ASSEMBLY.....	301
CUPWELL SPOUT ASSEMBLY	303
CUPWELL ASSEMBLY	304
CANISTER RACK ASSEMBLY	305
RACK CONFIGURATION "B" (1-2-4).....	305
RACK CONFIGURATION "C" (1-1-2-3)	305
RACK CONFIGURATION "D" (1-2-2-2)	305
RACK CONFIGURATION "E" (1-1-1-4)	305
RACK CONFIGURATION "F" (1-1-1-1-3)	306
RACK CONFIGURATION "G" (1-1-5)	306
RACK CONFIGURATION "H" (1-1-1-2-2)	306
FDX EXTENSION RACK.....	307
CANISTER ASSEMBLIES, CHOCOLATE, SOUP, SANKA, FD COFFEE, SGC	309
CANISTER ASSEMBLIES: SUGAR.....	310
CANISTER ASSEMBLIES: LIGHTENER, FD TEA, SUGAR SUBSTITUTE.....	311
POWER DISTRIBUTION.....	401
COMPLETE BREWER ASSEMBLY	501
BREWER BACK PANEL, FRONT CHANNEL & MAIN ASSEMBLIES	503
BREWER CYLINDER & PISTON ASSEMBLIES.....	504
HOT WATER TANK ASSEMBLY	601
HOT WATER TANK ASSEMBLY NEW STYLE	603
LARGE GRINDER HOPPER ASSEMBLY	701
SINGLE MINI GRINDER HOPPER ASSEMBLY	702
DUAL GRINDER HOPPER ASSEMBLY	703
DUAL MINI GRINDER HOPPER ASSEMBLY	704
TRIPLE MINI GRINDER HOPPER ASSEMBLY	705
GLG/ LARGE GRINDER / LOOSE GROUND HOPPER ASSEMBLY	706
GLG/ MINI-GRINDER/LOOSE GROUND HOPPER ASSEMBLY	707
LOOSE GROUND HOPPER ASSEMBLY	708
DUAL LOOSE GROUND HOPPER ASSEMBLY	709
TRIPLE LOOSE GROUND HOPPER ASSEMBLY.....	710
MINI GRINDER w/ DUAL LOOSE GROUND HOPPER ASSEMBLY.....	711
DUAL MINI GRINDER w/ SINGLE LOOSE GROUND HOPPER ASSEMBLY	712
WATER INLET ASSEMBLY	801

odyssey style door

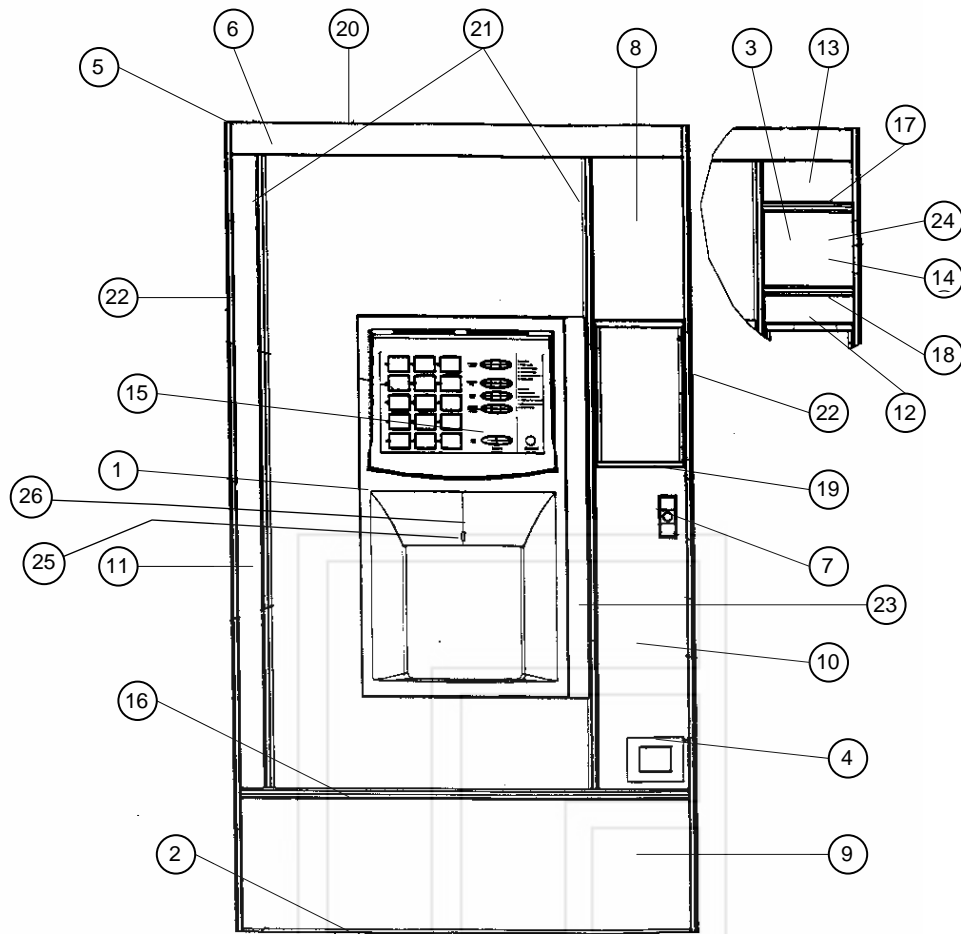


This document is available free of charge to our customers at www.automaticproducts.com

Item No.	Part No.	Description
1	26600028	DOOR WELD WITH HINGES
2	420010-18	WASHER 1 1/4 X .515 X .101 BR
3	24400006	LENS BEZEL 223
3A	27400101	DECAL "CAUTION HOT" ENGLISH
4	38650-01	TRIM, VERT. FILLER ODYSSEY GREY
5	26400003	UPPER HINGE BRACKET ASM
NS	144-5-6	STOP SCREW, NEW STYLE HINGE
	38495	OLD STYLE HINGE BRACKET ASM
6	26600099-01	BEZEL ASM CUPWELL/SEL ODY GREY
7	38649	TRIM, TOP
8	38355	COLUMN, UPPER - POS
8a	38356	COLUMN, UPPER BLANK
9	38342	COLUMN, BOTTOM RH

Item No.	Part No.	Description
10	38527	BEZEL, MASTER MENU PANEL
11	38332	LOCK ASM
12	38658	CUPWELL DOOR
13	38529	DOOR, COIN RETURN CUP Lt. Grey
14	38648	TRIM, HOR. BOTTOM
15	38647	TRIM, VERT. LH
16		PANEL ASSEMBLY, 10 SELECT REFER TO PAGE 104
16a		PANEL ASSEMBLY, 15 SELECT REFER TO PAGE 105
17	38578	ARTWORK, ODYSSEY
18	22181	SCREW 1/4-20X5/8 FH ALLEN
19	640157	HINGE LOWER
Misc	27500037	AT&T CREDIT CARD KIT ODYSSEY ONLY

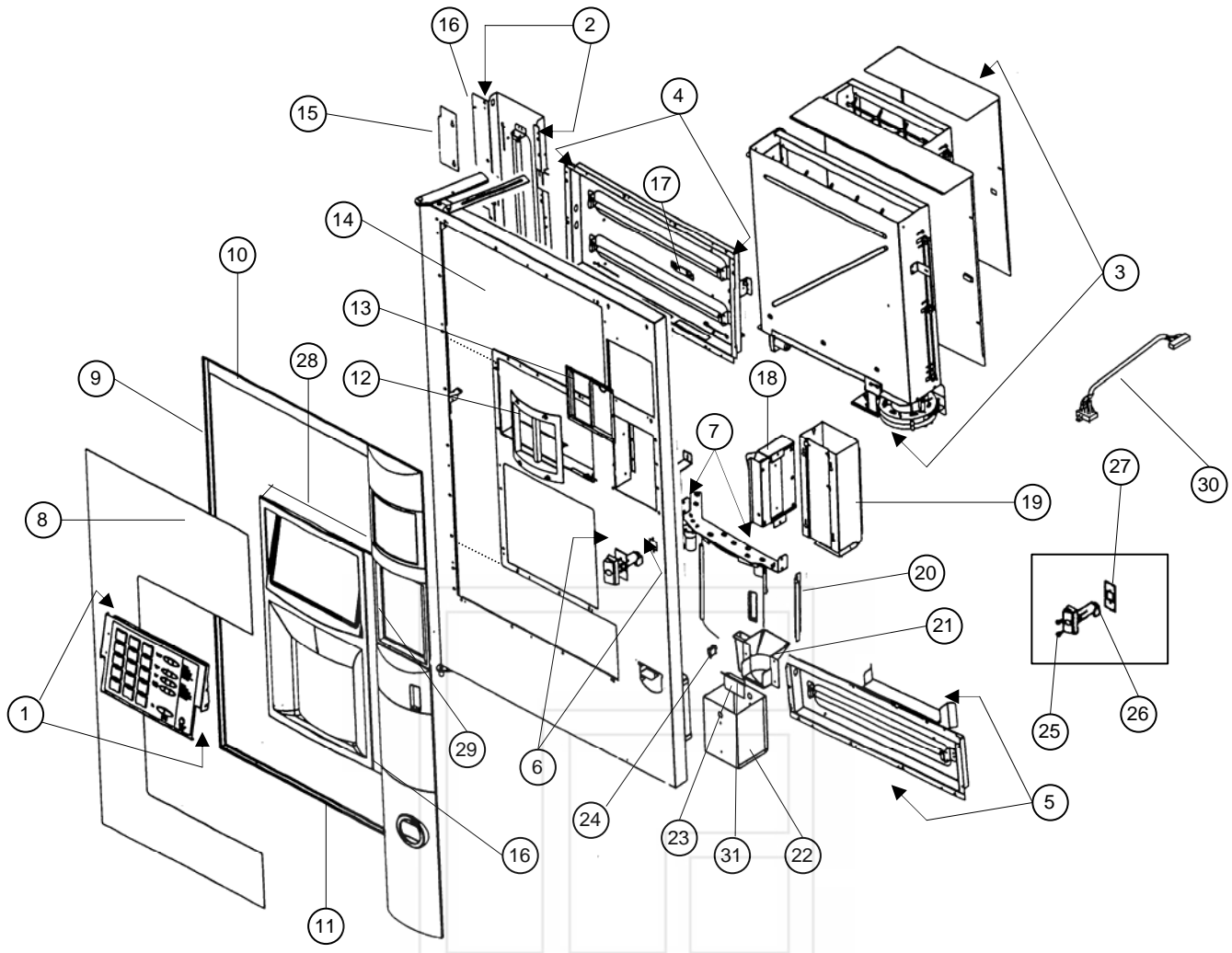
traditional style door



This document is available free of charge to our customers at www.mitsubishiparts.com

Item No.	Part No.	Description
1	26600099-01	BEZEL ASM COMPLETE, GRAY
	26600099-02	BEZEL ASM COMPLETE, BLACK
2	201678-8	BRACKET BTM PANEL RETAINER
3	22000337	BRACKET POS WINDOW
4	660581	BEZEL, COIN RETURN CUP ASM
5	26000377	DOOR WELD TRADITIONAL DARK w HINGES
	26000365	DOOR WELD TRADITIONAL LIT
6	22000430	INSERT
7	30460	LOCK AND CAM ASM
8	22000344	PANEL, TOP LOCK SIDE
9	22000349	PANEL, VINYL COVER LOWER
10	22000340	PANEL, VINYL LOCK SIDE BOTTOM
11	22000339	PANEL, VINYL LEFT VERT SIDE
12	22000341	PANEL, VINYL POS LOWER
13	22000342	PANEL, VINYL POS UPPER
14	27400065	POS WINDOW INSERT

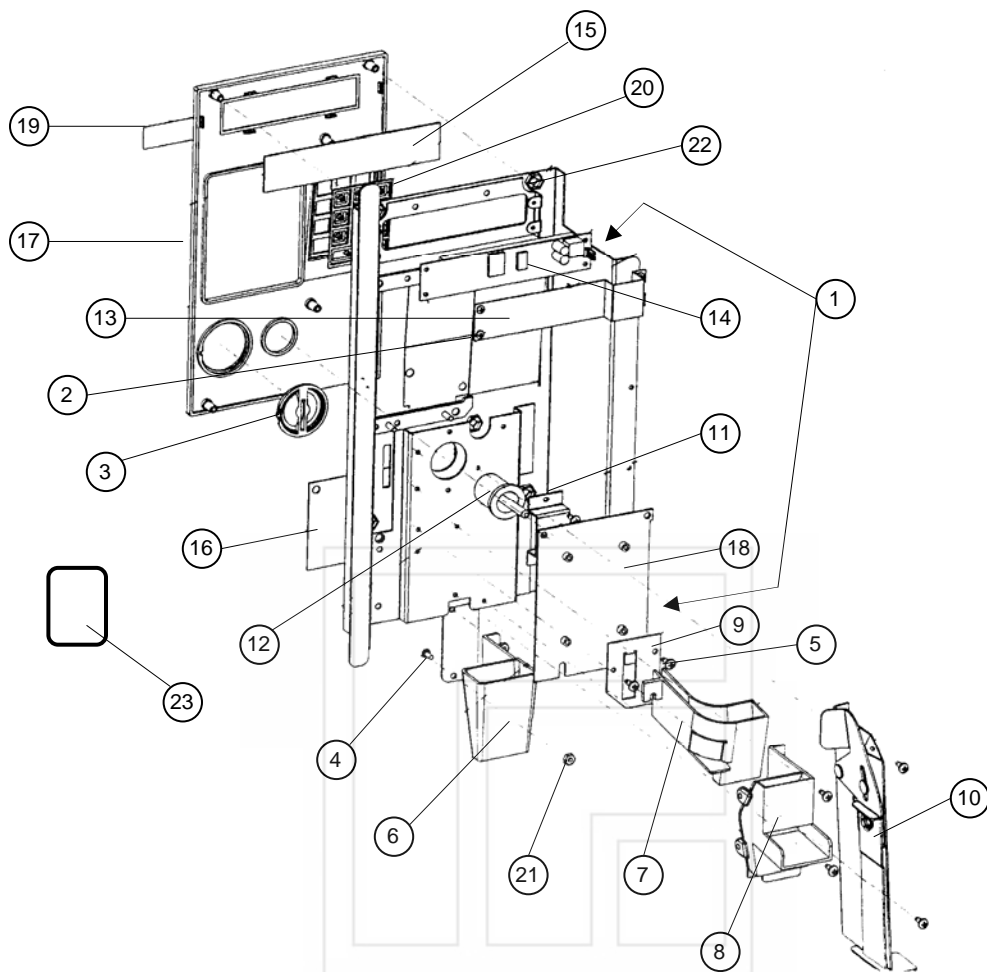
Item No.	Part No.	Description
15		SELECTION ASM 15 SELECT REFER TO PAGE 105
16	23400002-1	TRIM AWARD SILVER
16a	23400002-3	TRIM GENESIS BLACK
17	23400002-4	TRIM POS UPPER, AWARD
17a	23400002-6	TRIM POS UPPER, GENESIS
18	23400002-5	TRIM POS LOWER, AWARD
18a	23400002-7	TRIM POS LOWER, GENESIS
19	440444-2	BEZEL, BLACK
20	29972	TRIM TOP HEADER
21	23400001-2	TRIM, INNER (BOTH), AWARD
21a	23400001-5	TRIM, INNER (BOTH), GENESIS
22	29938	TRIM VERTICAL, LEFT & RIGHT
23	38650-02	TRIM VERTICAL. CUPWELL
24	24400114-01	WINDOW POS
25	24400006	LENS BEZEL 223
26	27400101	DECAL "CAUTION HOT" ENGLISH



Item No.	Part No.	Description
1		SELECTOR PANEL ASSEMBLY (refer to pgs. 104/105)
2	26600387	LIGHT BOX ASSEMBLY RHD (refer to pgs. 109 for individual breakdown)
3		CUP CABINET ASSEMBLIES (refer to pgs. 301 for individual breakdown)
4	26600389	LIGHT BOX ASSEMBLY UPPER (refer to pgs. 109 for individual breakdown)
5	26600388	LIGHT BOX ASSEMBLY LOWER (refer to pgs. 109 for individual breakdown)
6	38332	LOCK ASM w / LATCH
7	38659	DOOR, ASM CUPWELL
8	38578	ARTWORK, ODYSSEY
8a	38578-01	ARTWORK, CORNER CAFÉ
8b	38578-02	ARTWORK, NESCAFÉ
8c	38578-03	ARTWORK, KRAFT "MAXWELL HOUSE"
8d	38578-04	ARTWORK, CUP GALLERY
8e	38578-12	ARTWORK, PRONTO CAFÉ
8f	38578-13	ARTWORK, KRAFT "PREMIUM CUP"
8g	27400072	NON LIT CORNER CAFÉ DECAL
8h	27400072-04	NON LIT CUP GALLERY DECAL
9	38647	TRIM VERTICAL LHD
10	38649	TRIM HORIZONTAL TOP
11	38648	TRIM HORIZONTAL BTM
12	38355	COLUMN TOP VWR/POS
13	38526	BACK VIEWER/POS MTG

Item No.	Part No.	Description
14	24400224	ARTWORK ART DIFFUSER, TOP
	24400224-01	ARTWORK ART DIFFUSER, SIDE
	24400224-02	ARTWORK ART DIFFUSER, BOTTOM
15	22000468	COVER LIGHT BALLAST FILTER
16	38650-01	TRIM VERTICAL FILLER ODYS GRAY
17	22000274	STRIKER DOOR SWITCH
18		COFFEE CONTROL BOARD BOX ASM (refer to pgs. 201 for individual breakdown)
19	26000038	ENCLOSURE ASM WLD COIN MECH
20	22000191	BRACKET STIF CPWELL
21	38528	WELL COIN RETURN ODSY GRAY
21a		WELL COIN RETURN BLACK
	440413	COIN RETURN CUP
	440414	CASH BOX CHUTE
21b	420144	FERRULE
21c	305-7R8	SCREW
22	26000005	BOX ASM WLD COIN
23	38529	DOOR COIN RETURN ODSY GREY
24	23800003	SWITCH CHERRY, BLACK
25	10228	¼-20x ½ H.H.
26	22000393	CAM LOCK
27	22000190	SHIM LOCK
28	24400016	DIFFUSER LIGHT SELECTION PANEL
28a	22001376	BRACKET DIFFUSER RETAINER
29	38527	BEZEL COIN INSERT
30	26800024	HARNESS MECH MICRO
31	38530	AXLE COIN CUP DOOR

master menu swing panel

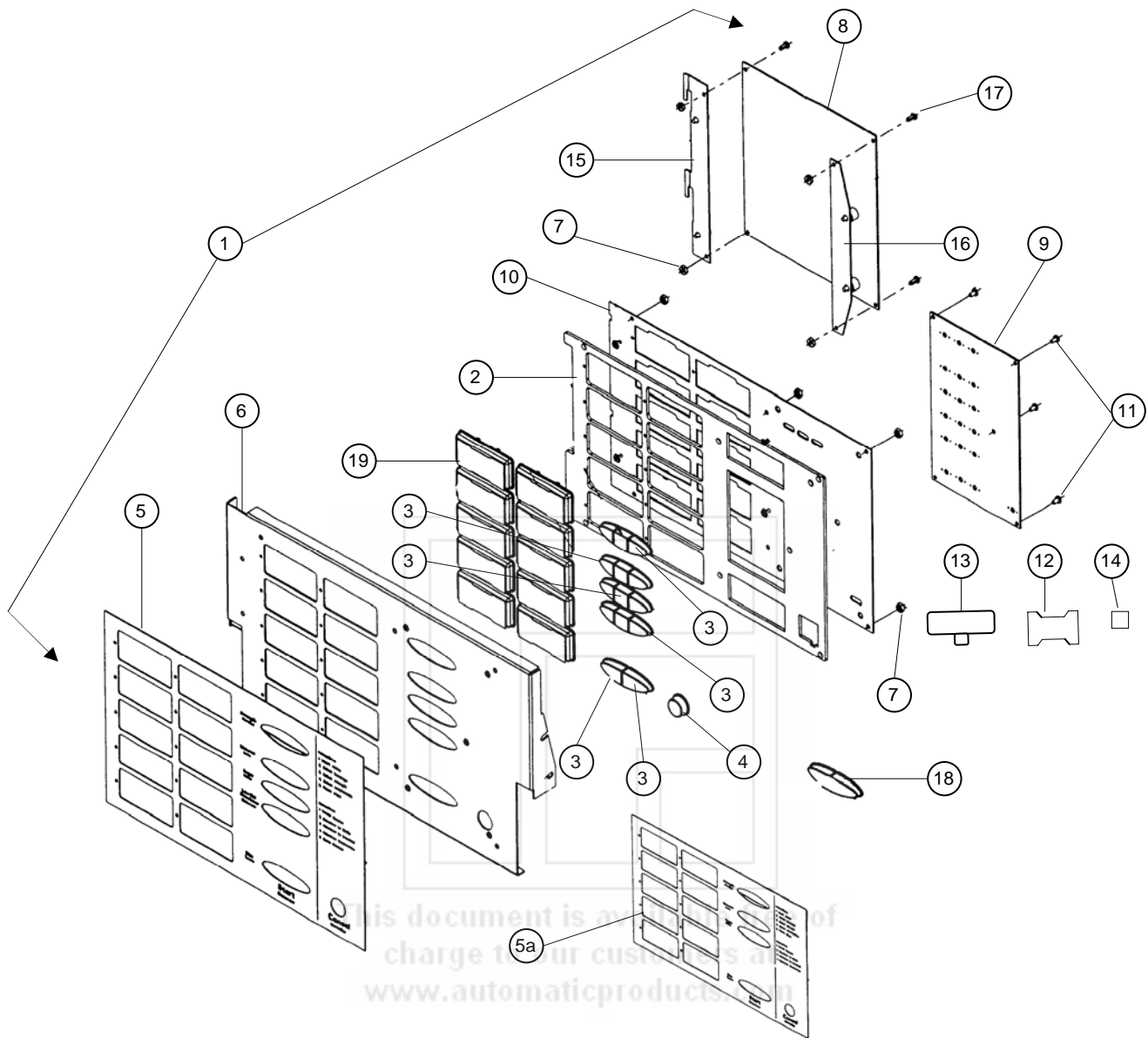


This document is available free of charge to our customers at www.automaticelectronics.com

Item No.	Part No.	Description
1	38474	PANEL ASM WELD COIN
2	200-6R6	SCREW 6x3/8 PH
3	440445	COIN INSERT, DARK GRAY
3a	440445-5	COIN INSERT, LIGHT GRAY
4	116-6R5	SCREW, 6/32 nd x5/16 PH
5	276-8R6	8/32 nd x3/8 PH SCREW
6	38390	COIN CHUTE
7	440311	COIN ENTRY CHUTE
8	660488	COIN ENTRY CHUTE
9	201712	COIN CHUTE BRACKET
10	660682	COIN RETURN ASM
11	201660	COIN RETURN BRACKET
12	440289	COIN RETURN BUTTON, DARK GRAY
12a	440289-5	COIN RETURN BUTTON, LIGHT GRAY
13	360256	DISPLAY BOARD INSULATOR

Item No.	Part No.	Description
14	360244	DISPLAY BOARD, 223/120/320 SERIES
15	440310	DISPLAY LENS
16	360253	SELECTOR SWITCH PANEL, MMENU
17	440442	SELECTOR BEZEL, BLACK
17a	440442-1	SELECTOR BEZEL, LIGHT GRAY
17b	440442-2	SELECTOR BEZEL, DARK GRAY
18	660580	VAL. FILLER PLATE
18a	660580-1	VAL. FILLER PLATE, LIGHT GRAY
18b	660580-2	VAL. FILLER PLATE, DARK GRAY
19	17400102	APi LOGO PLATE, DARK GRAY
19a	17400102-01	APi LOGO PLATE, EURO GRAY
20	14400015	NUMERIC KEY PAD, DARK GRAY
20a	14400015-01	NUMERIC KEY PAD, LIGHT GRAY
21	11745	KEP NUT 6/32 nd
22	18443	NUT, 1/4 SELF TAP
23	420400	SWINGOUT PANEL MAGNET

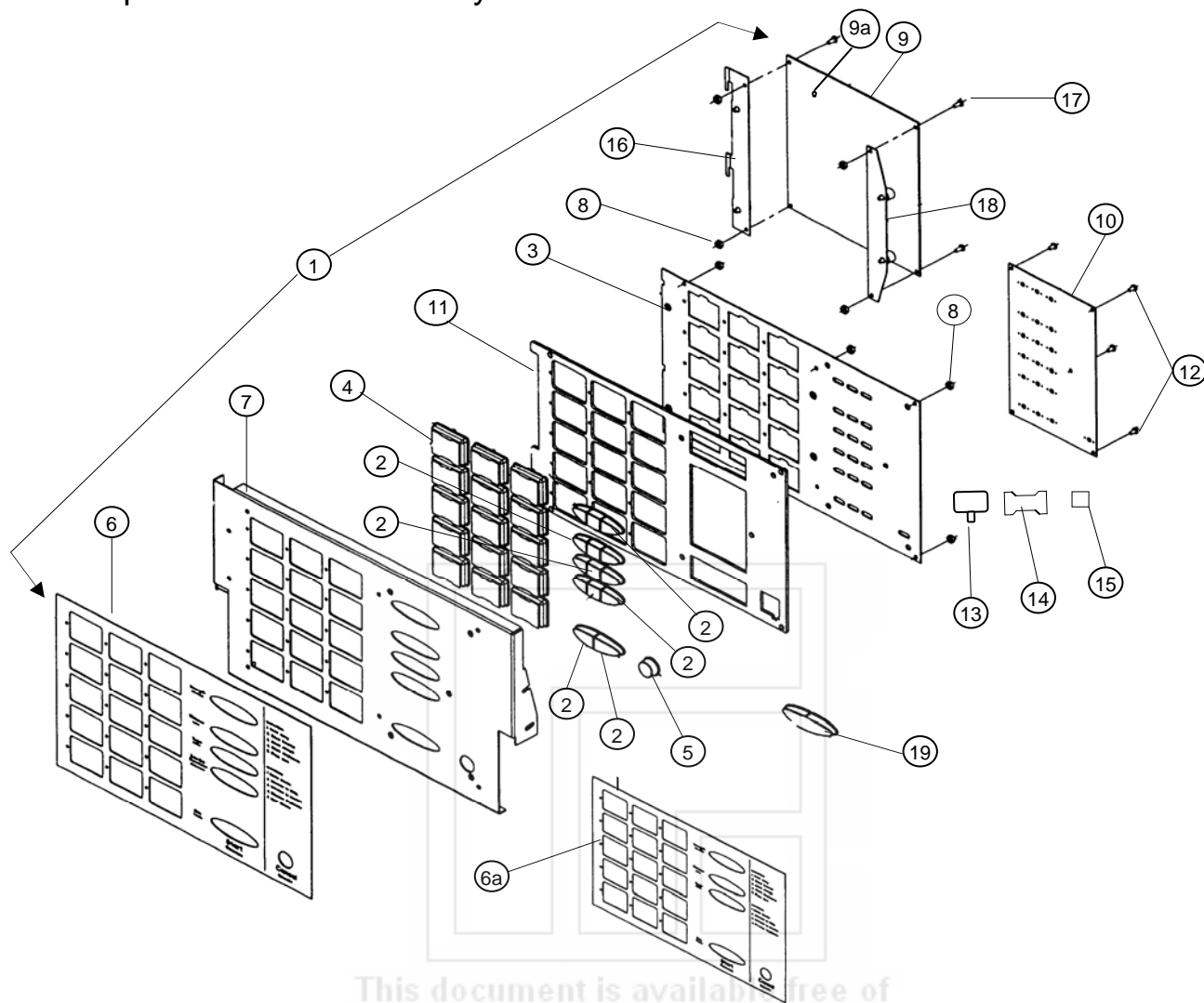
10 select panel / button assembly



Item No.	Part No.	Description
1	38633	PANEL ASM 10 SELECT SUG-SUB
1a	38633-01	PANEL ASM 10 SELECT NO SUG-SUB
2	22000485	BACKING, 10 SELECT
3	26600260	BUTTON SET STD, COMMODITY
4	38433	BUTTON, CANCEL
5	27400004	DECAL, SUGAR SUB, 10 SELECT
5a	26600293	DECAL, NO SUGAR SUB, 10 SELECT w/GALV. PANEL
6	38634	FACE ASM, 10 SELECT
7	11745	NUT 6/32 nd KEP LK WASH
8	38770	SELECTOR BOARD ASM, 10 SELECT
9	38393	CONDIMENT SELECTION BOARD
10	26000255	RETAINER PLATE

Item No.	Part No.	Description
11	117-6R4	SCREW, PAN HD PHIL 6-32 nd x .25
12	24400098	RETAINER, LABEL
13	27400006	LABEL PRODUCT 10 SELECT
	27400089	PRODUCT LABEL, NESCAFE
14	27400007	PRICE LABEL SET, \$.25 - \$1.20
15	26000257	BRCKT SELECT BRD HNG
16	38641	BRKT ASM WLD SELECTION BRD
17	116-6R5	SCREW 6-32 X 5/16 PH PHL ZP
18	26600394	BUTTON SET CREAM & ONE CUP
19	38640	BUTTON, PRIMARY 10 SELECT
N.S.	26600281	FB ENVELOPE PKT.
N.S.	26600283	FD ENVELOPE PKT.
Not Shown	38775	RIBBON CABLE, WHITE FLEX (COMMODITY BRD TO SELECTOR BRD)

15 select panel / button assembly



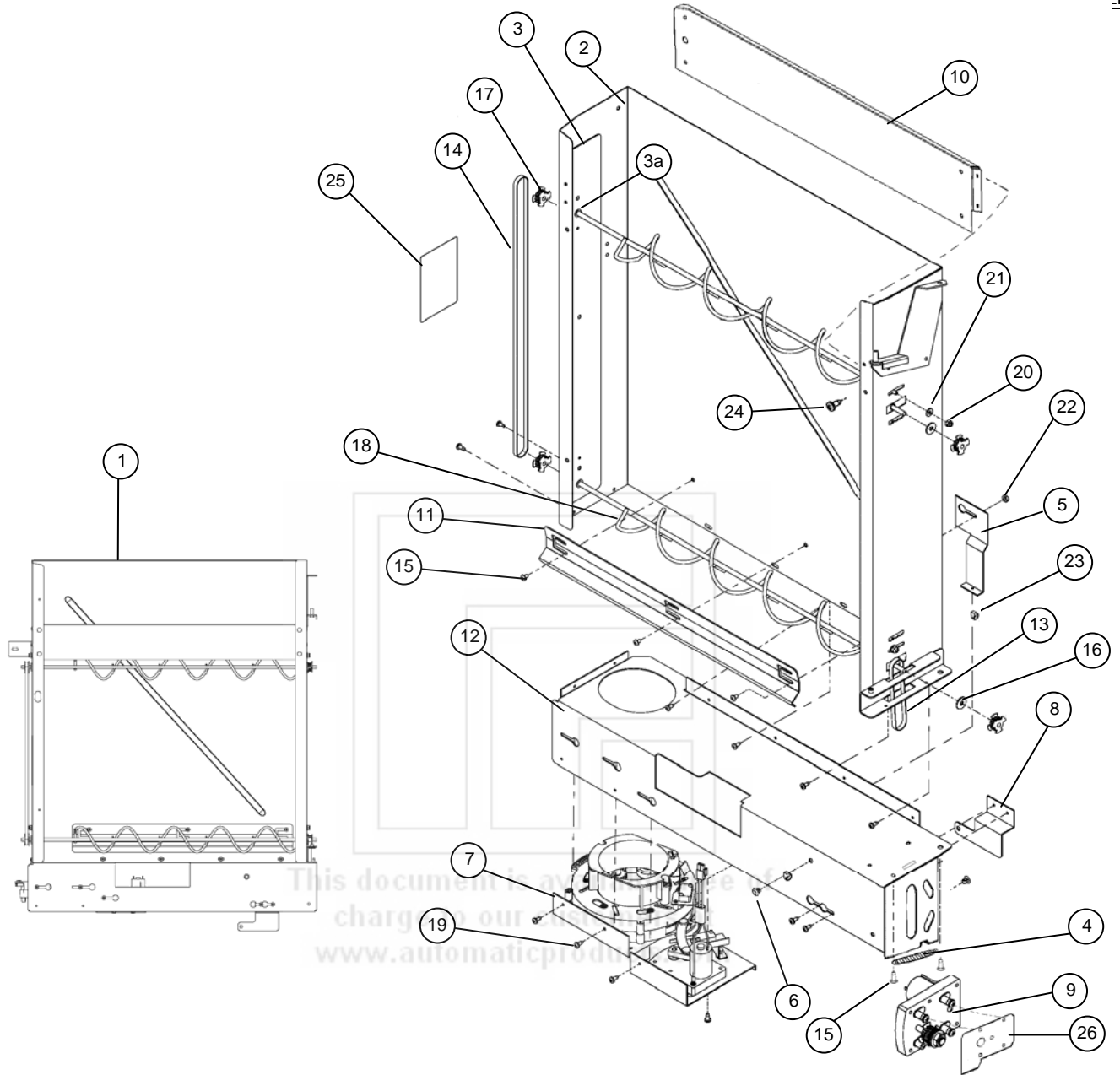
This document is available free of charge to our customers at www.automatproducts.com

Item No.	Part No.	Description
1	26600561	PANEL ASM 15 SELECT SUG-SUB
	26600561-01	PANEL ASM 15 SELECT NO SUG-SUB
2	26600260	BUTTON SET STD, COMMODITY
3	26400014	RETAINER PLATE, 15 SELECT
4	38426	BUTTON, PRIMARY 15 SELECT
5	38433	BUTTON, CANCEL
6	27400124	DECAL, SUGAR SUB, 15 SELECT
6a	27400124-01	DECAL, NO SUG SUB, ENG/SPAN
6b	27400124-02	DECAL, NO SUGAR SUB, FRENCH /ENG
6c	27400124-03	DECAL, NO SUGAR SUB, ENG/FRENCH
7	26400012	FACE ASM, 15 SELECT, SUGAR SUB
7a	26400012-01	FACE ASM, 15 SELECT, NO SUG SUB
8	438-6	NUT 6/32 nd KEP LK WASH
9	38392	SELECTOR BOARD ASM, 15 SELECT
9a	23800021	MICRO SWITCH, SELECTOR BOARD

Item No.	Part No.	Description
10	38393	CONDIMENT SELECTION BOARD
11	22001415	BACKING PANEL
12	23100142	SCREW, PAN HD PHIL 6-32 nd x 5/16
12a	23100029	WASHER, 6 X .PR1 THICK, NYLON
13	27400005	SELECTION PRODUCT LABEL
13a	27400089	PRODUCT LABEL, NESCAFE
13b	27400082	PRODUCT LABEL, MAXWELL
14	24400097	RETAINER SELECTION LABEL
15	27400007	LABEL SET PRICE, \$.25 - \$1.20
16	26400017	BRACKET HINGE ASM WLD
17	116-6R5	SCREW 6-32 X 5/16 PH PHL
18	26400016	BRKT ASM WLD SELCTN BRD MNT
19	26600394	BUTTON SET CREAM & ONE CUP
NS	38775	RIBBON CABLE, WHITE FLEX (COMMODITY BRD TO SELECTOR BRD)
NS	26600282	FB ENVELOPE PCKT.
NS	26600284	FD ENVELOPE PCKT.

cup dispenser assembly – front (cabinet #2-high capacity)

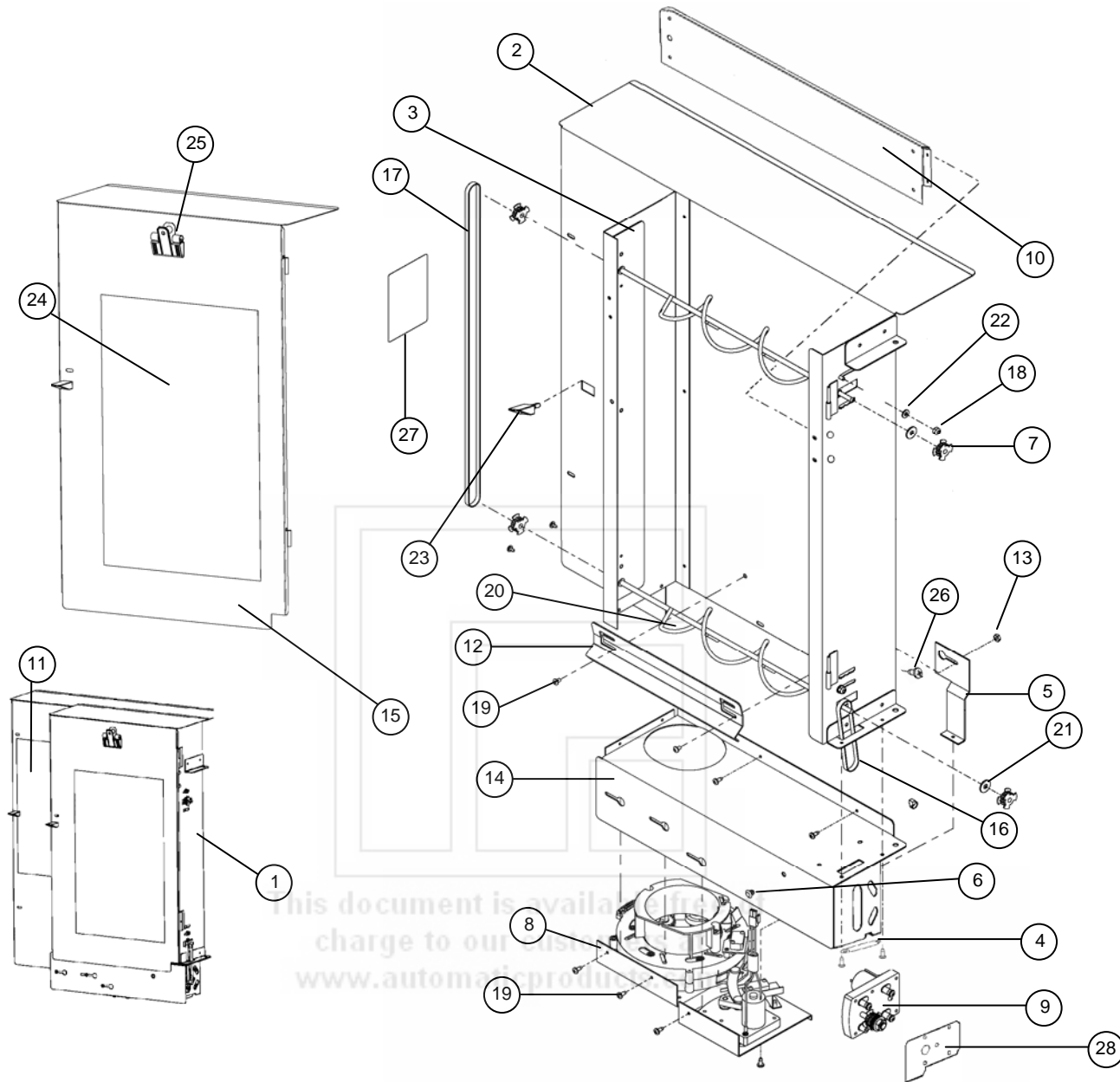
.IPS



Item No.	Part No.	Description
1	26600516	WRAPPER ASM COMPLETE FRONT
2	26000416	WRAPPER ASM WELD FRONT
3	26000411	SIRAL ADJUSTMENT PLATE L OR R
3a	16058-9	BEARING, NYLINER
4	38452	SPRING, EXTENSION
5	22001313	BRACKET DISP MOTOR SUPT
6	23100026	BUTTON CABLE MOUNT
7	26600539	CUP DROP ASM, WHITE CAMS, SEE PAGE 108 FOR PARTS BREAKDOWN
8	22000196	DELIVERY DOOR STOP
9	26600195	MOTOR ASM SPIRAL W/CLUTCH
	38261	MOTOR ASM SPIRAL W/O CLUTCH
10	22001316	STIFFENER, WRAPPER FRONT DISP
11	35725	GUIDE, CUP FRONT DISP
12	26000417	BASE ASM WELD
13	10213	BELT, TIMING 10"
14	24400223-01	BELT, TIMING 32"

Item No.	Part No.	Description
16	28521	WASHER 11/16 x 1/4 x 1/16 NY
17	12493	PULLEY ASM CUP FEED
18	38262	SPIRAL, CUP FRONT DISP
19	23100115	SCREW 8-32 nd x 3/8 PH PHL
20	21042	NUT 8-32 STOP SCP
21	600-8	WASHER FLAT
22	438-8	NUT, 8-32 KEPS
23	33612	COVER SCREW, 5/16 INSIDE LENGTH
24	420078-8	POP RIVET, .125 DIA X .250 LG
25	37468	DECAL CUP DISP, FACTORY SETTING
26	26000419	MOTOR SPRING PLATE ASSY
NS	38693	HARNES CUP DISPENSER FRONT, TO INTERCONNECT COVER (CONNECTS TO HARNES PART NUMBER 38689)
NS	460044	WIRE TIE

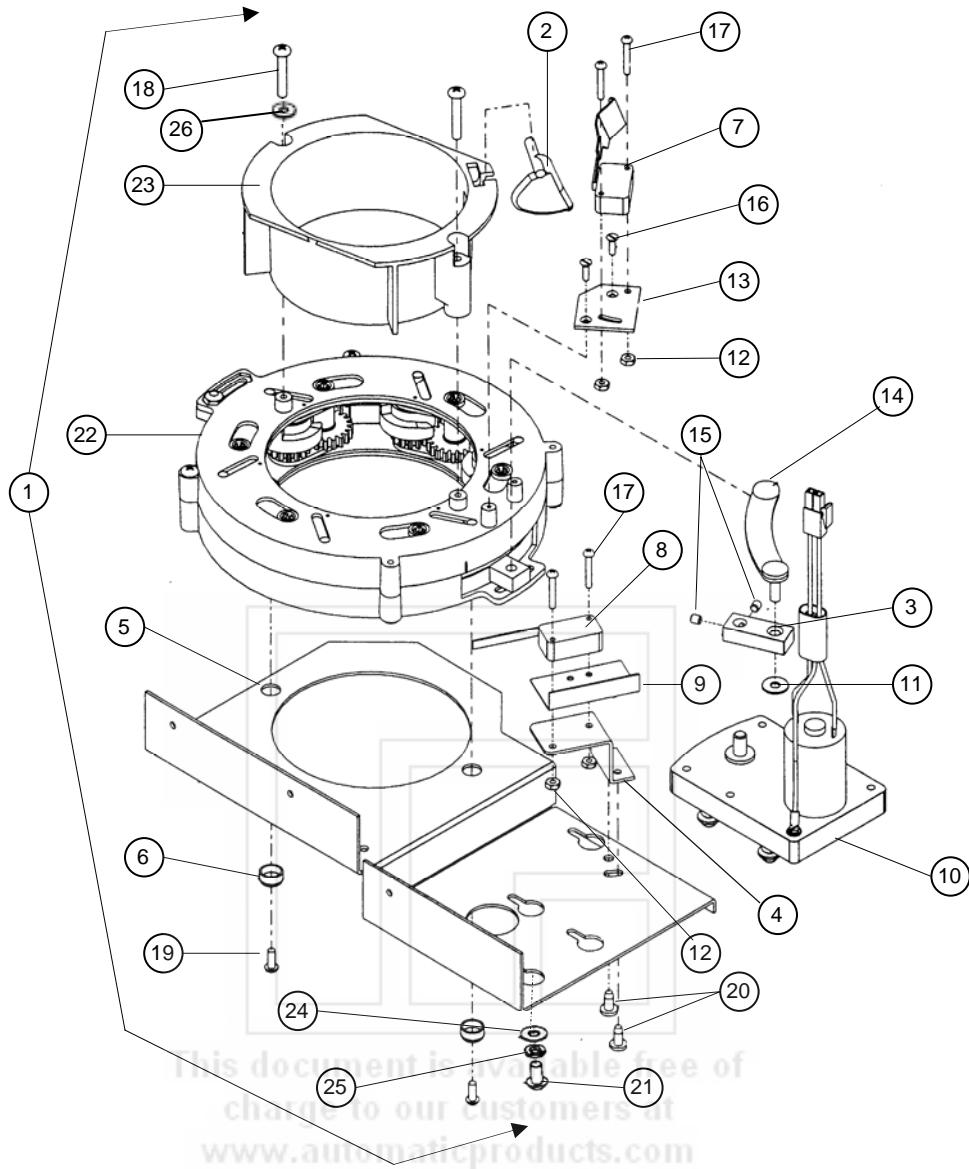
cup dispenser assembly – rear (cabinet #1-low capacity)



Item No.	Part No.	Description
1	26600517	WRAPPER ASM COMPLETE REAR
2	26000418	WRAPPER ASM WELD REAR
3	26000411	SPIRAL ADJUSTMENT PLATE L or R
3a	16058-9	BEARING, NYLINER
4	38452	SPRING, EXTENSION
5	22001313	BRACKET DISP MOTOR SUPT
6	23100026	BUTTON CABLE MOUNT
7	12493	PULLY ASM, CUP FEED
8	26600539	CUP DROP ASM, WHITE CAMS, SEE PAGE 108 FOR PARTS BREAKDOWN
9	26600195	MOTOR ASM SPIRAL W/CLUTCH
10	22001311	STIFFENER, WRAPPER REAR DISP
11	27400052	DECAL, PROGRAMMING INSTRUCTIONS
12	35852	GUIDE, CUP REAR DISP
13	438-8	NUT 8-32 KEPS
14	26000414	BASE ASM WELD
15	26600518	CUP WRAPPER DOOR ASM
	26000412	CUP WRAPPER DOOR ONLY

Item No.	Part No.	Description
16	10213	BELT, TIMING 10"
17	24400223-01	BELT, TIMING 32"
18	21042	NUT 8-32 STOP SCP
19	23100115	SCREW 8-32 nd x 3/8 PH PHL
20	38265	SPIRAL, CUP REAR DISP
21	28521	WASHER 11/16 x 1/4 x 1/16 NY
22	600-8	WASHER PLAIN #8
23	23100132	LOCKING LATCH
24	27400106	DECAL SANITIZER, OUTSIDE DOOR
24a	27400062	SCHEMATIC DECAL, INSIDE DOOR
25	24250007	BALL CLIP, FOR SERVICE MANUAL
26	33612	COVER SCREW, 5/16 INSIDE LENGTH
27	37468	DECAL CUP DISP, FACTORY SETTING
28	26000419	MOTOR SPRING PLATE ASSY
NS	38692	HARNESS CUP DISPENSER REAR, TO INTERCONNECT COVER (CONNECTS TO HARNESS PART NUMBER 38689)
NS	460044	WIRE TIE

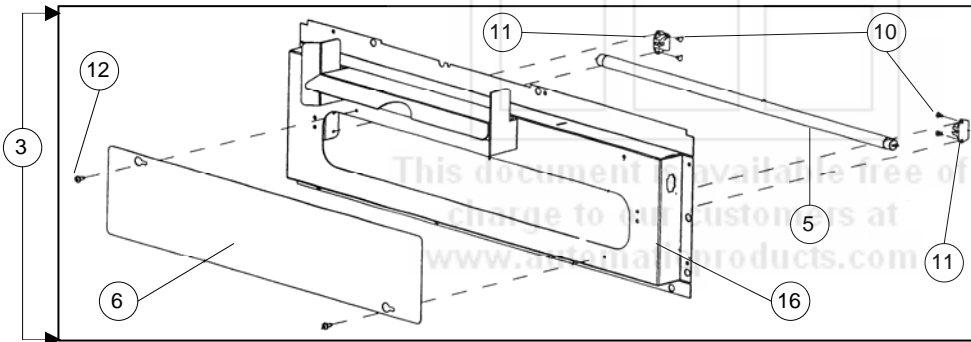
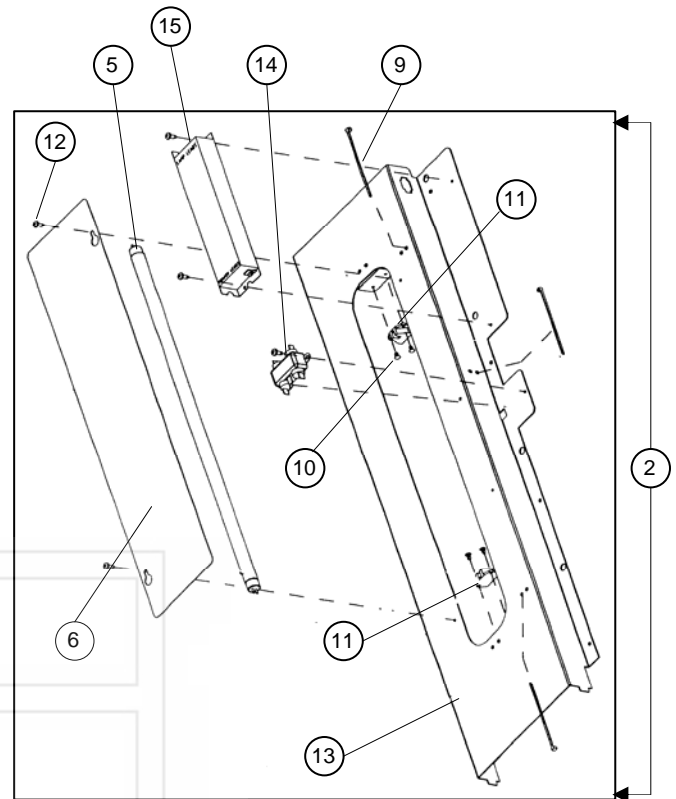
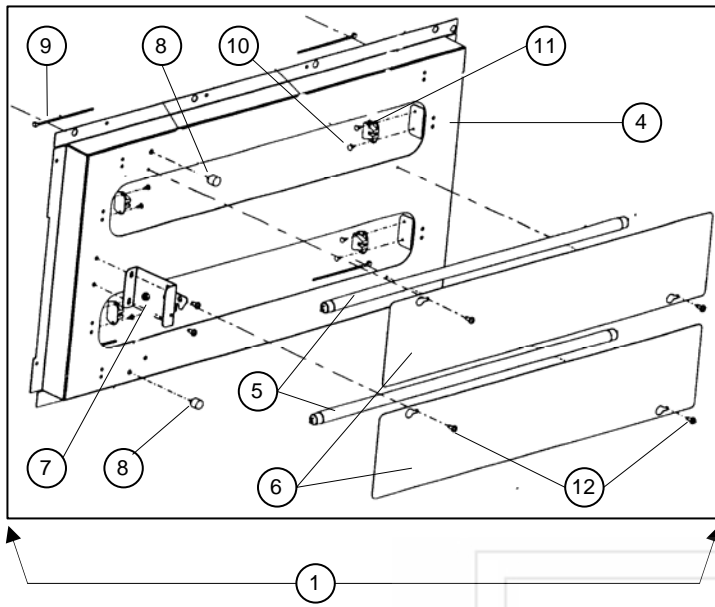
adjustable cup drop assembly



Item No.	Part No.	Description
1	26600539	CUP DROP ASM 223
2	36645	ACTUATOR
3	26600223	ARM MOTOR CUP DISP
4	38585	BRKT CUP DROP MTR SWITCH
5	22001374	BRKT MTG ADJ CUP & RING MTR FRONT
6	420144	FERRULE
7	38742	SWITCH & HARNESS CUP DISPENSER
8	38737	SWITCH & HARNESS CUP DROP
9	22728	INSULATOR, SWITCH
10	38258	MOTOR CUP DROP 24VDC
11	04112	NUT 3/16 PUSH ON
12	438-4	NUT, 4-40 KEPS
13	37257	PLATE SWITCH MOUNTING
14	36859	ROD ASM CONNECTING CUP DISP
15	14807	SCREW 10-32 nd x 3/16
16	37258	SCREW 4-14 X 3/8

Item No.	Part No.	Description
17	21193	SCREW 4-40 X 3/4
18	305-6R16	SCREW 6 x 1-3/16
19	305-6R6	SCREW 6 x 3/8
20	23100115	SCREW 8-32 nd 3/8 PH PAN ZP T-23
21	116-8R6	SCREW 8-32 nd x 3/8 PH PAN M/S ZN
22	36520	SEPERATOR ASM CUP ADJUSTABLE
22a	36520-1	SEPERATOR ASM CUP ADJ. BLK CAMS
22b	36520-2	SEPERATOR ASM CUP ADJ. RED CAMS
23	36644	THROAT CUP
24	600-8	WASHER FLAT #8
25	610-8	WASHER LOCK #8 SPLIT
26	23100139	WASHER FLAT M4 SCP
	38692	HARNESS CUP DISPENSER REAR, TO INTERCONNECT COVER (CONNECTS TO HARNESS PART NUMBER 38689)
	38693	HARNESS CUP DISPENSER FRONT, TO INTERCONNECT COVER (CONNECTS TO HARNESS PART NUMBER 38689)

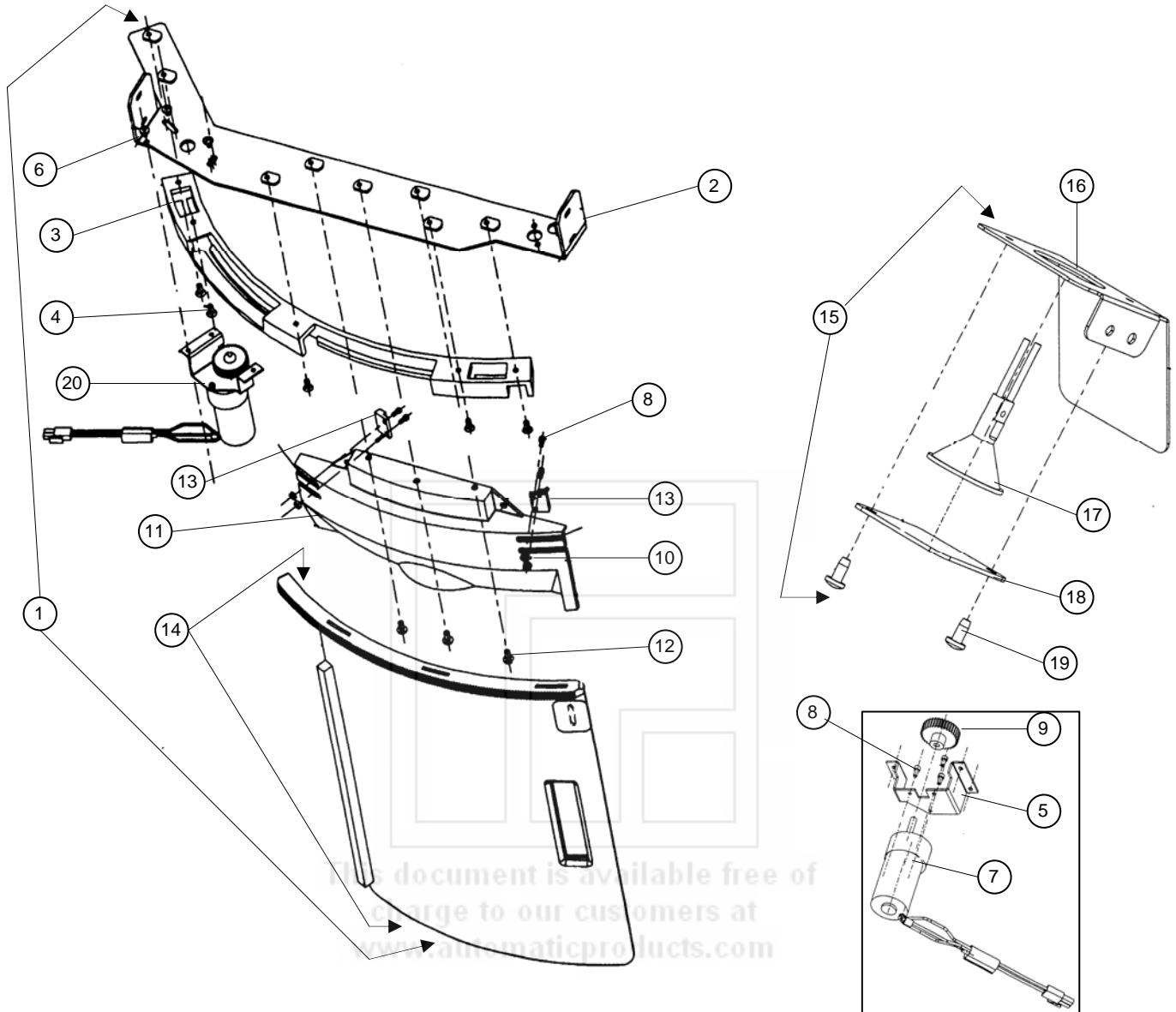
door light box assemblies



Item No.	Part No.	Description
1	26600389	LIGHT BOX ASSEMBLY UPPER
2	26600387	LIGHT BOX ASSEMBLY RIGHT SIDE
3	26600388	LIGHT BOX ASSEMBLY LOWER
4	26000232	PANEL ASM WELD UPPER LAMP BOX
5	26900007	LAMP F13T5/CW 13W
6	22000459	COVER LIGHT BOX
7	26600370	LATCH ASSEMBLY CUP CABINET
8	23100108	GROMMET BUMPER
9	380301	WIRE TIE

Item No.	Part No.	Description
10	23100099	NYLON FASTENING CLIP
11	26800083	HARNESS LIGHT BOX (w/ SOCKETS)
12	23100115	SCREW 8-32x3/8
13	26000231	PANEL ASM WELD RH SIDE LAMP BOX
14	380303	LIGHT FILTER
15	26800084	HARNESS LIGHT BALLAST ASSEMBLY
16	26000230	PANEL ASM WELD LOWER BOX
	26800085	HARNESS LIGHT FILTER

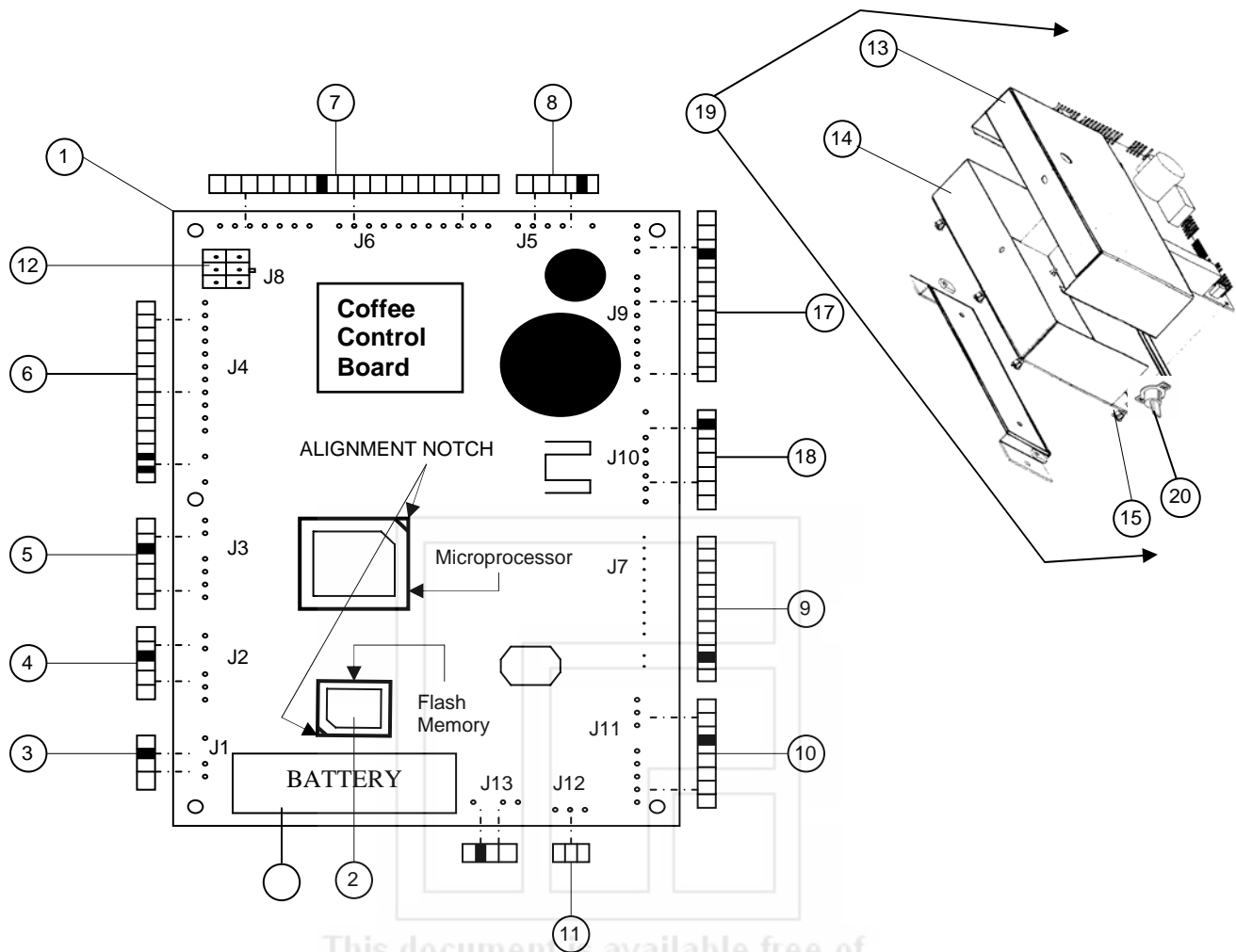
cupwell delivery door & light assembly



Item No.	Part No.	Description
1	38659	DOOR, ASM CUPWELL COMPLETE
2	38786	BRACKET ASM MTG DOOR CUPWELL
3	38652	TRACK DOOR CUPWELL
4	26439	SCREW 8-32 nd x .375
5	22001262	BRACKET MNT MOTOR CUPWELL
6	276-8R4	SCREW 8-32 nd x 1/4
7	26700042	MOTOR, DOOR CUPWELL 24VDC
8	142-4-4	#4-40 1/4
9	24400136-01	GEAR, PRODUCT DOOR
10	404-4	HEX NUT 4-40

Item No.	Part No.	Description
11	38787	TRIM CUPWELL DOOR
12	14491	SCREW 8-32 nd x 3/8
13	38679	SENSOR MAGNETIC CUPWELL DOOR
14	38658	DOOR ASM CUPWELL
15	26600272	LAMP ASM, VEND
16	22000260	HOLDER, DISPENSE LIGHT
17	38764	LAMP ASM
18	24400039	LENS - CUPWELL LIGHT
19	23100115	8/32 nd x 3/8 PH
20	26600495	MOTOR ASM, 24 VDC

coffee control board (CCB), harness, and components

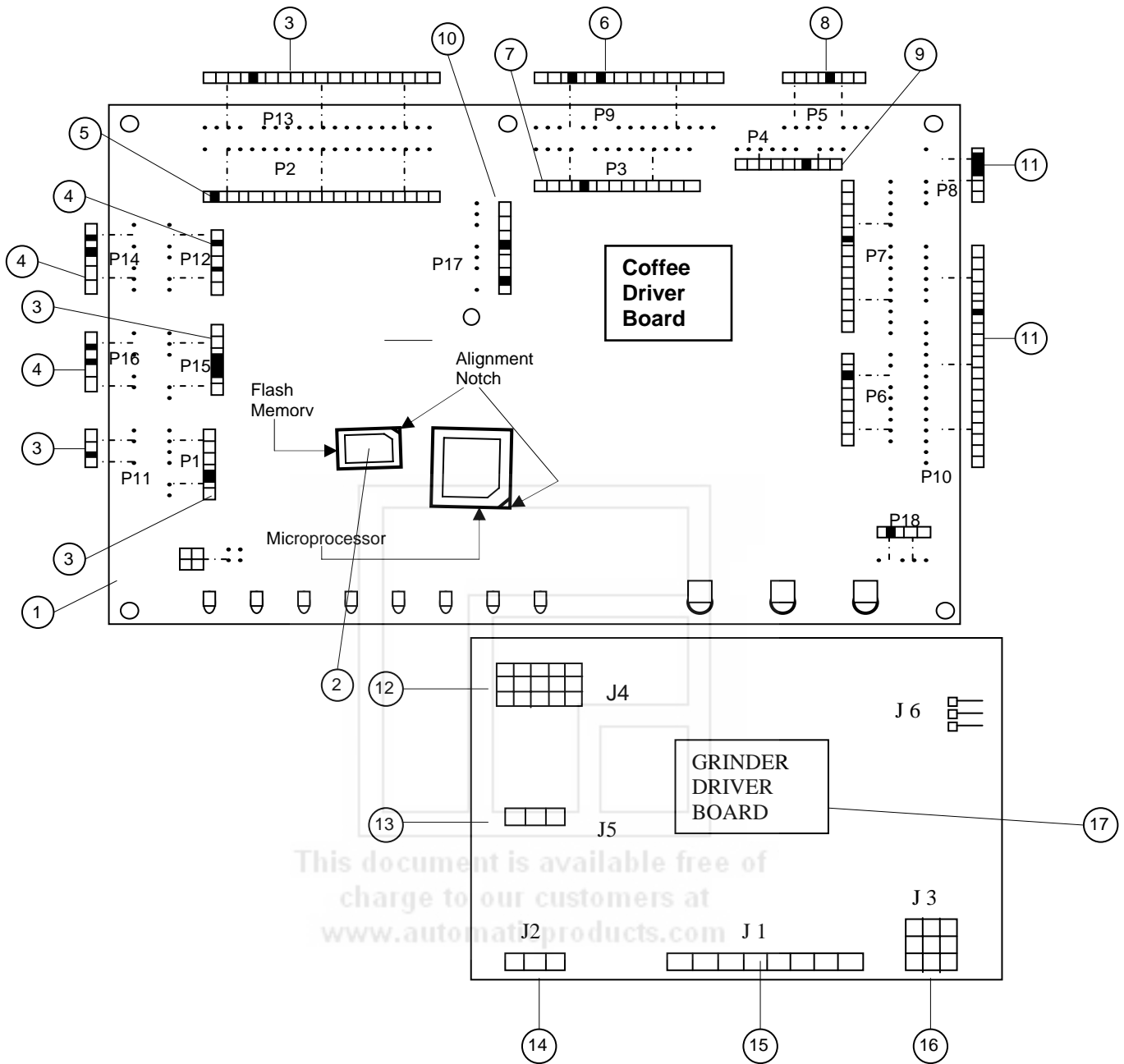


This document is available free of charge to our customers at www.automaticproducts.com

Item No.	Part No.	Description
1	360274	COFFEE CONTROL BOARD
2	23700001	COFFEE CONTROL BOARD FLASH CHIP
3	16800013	HARNESS TOUCH MEMORY CONNECTION POINT ON CCB: J1
4	16800044	HARNESS DEX/UCS PANEL MOUNT CONNECTION POINT ON CCB: J2
5	680632	HARNESS DOOR SWITCH CONNECTION POINT ON CCB: J3
6	26800024	HARNESS MECH MICRO 223 CONNECTION POINT ON CCB: J4
7	26800059	HARNESS CUPWELL DOOR LAMP CONNECTION POINT ON CCB: J6
7a	26800068	HARNESS COFFEE TO AUX CABINET CONNECTION POINT ON CCB: J6
8	26800055	HARNESS DOOR LCB POWER, CONNECTION POINT ON CCB: J5 (CONNECTS TO HARNESS PART NUMBER 26800054 ROUTING TO POWER DIST BOX)

Item No.	Part No.	Description
9	680633	HARNESS SEL SW EXTENSION CONNECTION POINT ON CCB: J7
10	38735	HARNESS LCB-SELECTION PANEL CONNECTION POINT ON CCB: J11
11	38740	HARNESS LCB-DISPLAY CONNECTION POINT ON CCB: J12
12	26800008	HARNESS LCB MDB 223 CONNECTION POINT ON CCB: J8
13	38853	COVER CCB
14	26000398	BOX ASSEMBLY CCB
15	24400221	STAND-OFF, PC BOARD
16	380308	BATTERY
17	680637	HARNESS, PULSE BILL VALIDATOR
18	680319	HARNESS, EXECUTIVE COIN MECH
19	26600565	LCB BOX ASSEMBLY COMPLETE
20	17760	DISCOUNT SWITCH

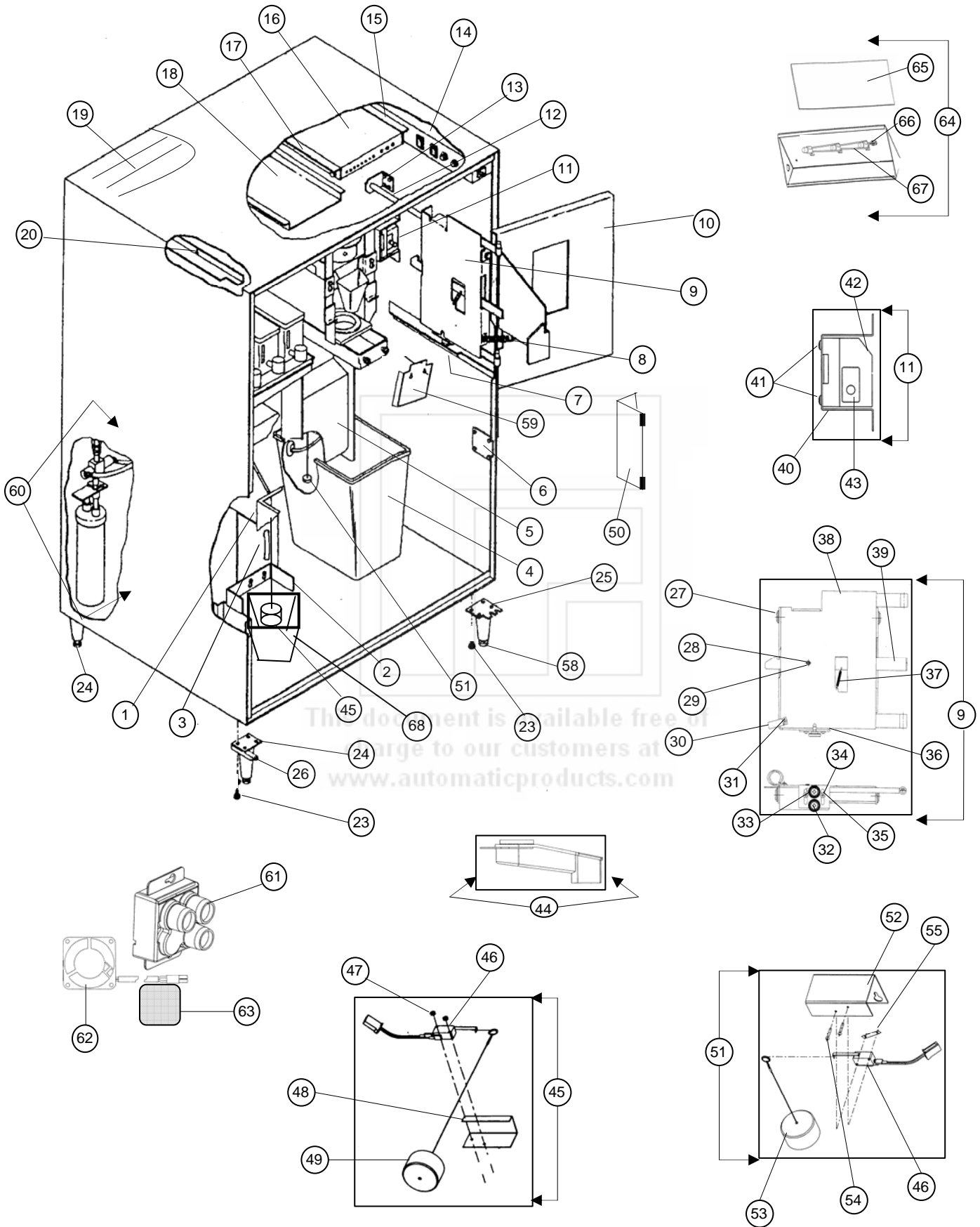
coffee driver board, harnesses, and components



Item No.	Part No.	Description
1	38772	COFFEE DRIVER BOARD
2	23700002	COFFEE DRIVER BOARD FLASH CHIP
3	38689	HARNESS CDB TO INTERCONNECT COVER, CONNECTION POINTS ON CDB: P13, P15, P11, P1
4	38694	HARNESS CDB, CONNECTION POINTS ON CDB: P14, P12, P16
5	26800093	HARNESS CDB, CONNECTION POINT ON CDB: P2
6	26800092	HARNESS CDB, CONNECTION POINT ON CDB: P9
7	38684	HARNESS CDB, CONNECTION POINT ON CDB: P3 (TO GRINDER DRIVER BRD)
7a	26800094	HARNESS CDB, CONNECTION POINT ON CDB: P3 LG HARNESS ONLY

Item No.	Part No.	Description
8	38697	HARNESS CDB, CONNECTION POINT ON CDB: P5
9	38706	HARNESS CDB, CONNECTION POINT ON CDB: P4
10	38707	HARNESS CDB, CONNECTION POINT ON CDB: P17
11	26800057	HARNESS HEATER CONTROL 223, CONNECTION POINT ON CDB: P10
12	38684	HARNESS GDB TO CDB P-3
13	38738	HARNESS GDB TO INTERLOCK SWITCH
14	26800028	HARNESS GDB TO PDB 115 Vac
15	26800029	SWINGOUT HARNESS GRINDERS
16	26800094	SWINGOUT HARNESS LG AUGERS
17	23600004	GRINDER DRIVER BOARD
18	26600219	GRINDER DRIVER ASM. COMPLETE

cabinet assembly



cabinet assembly

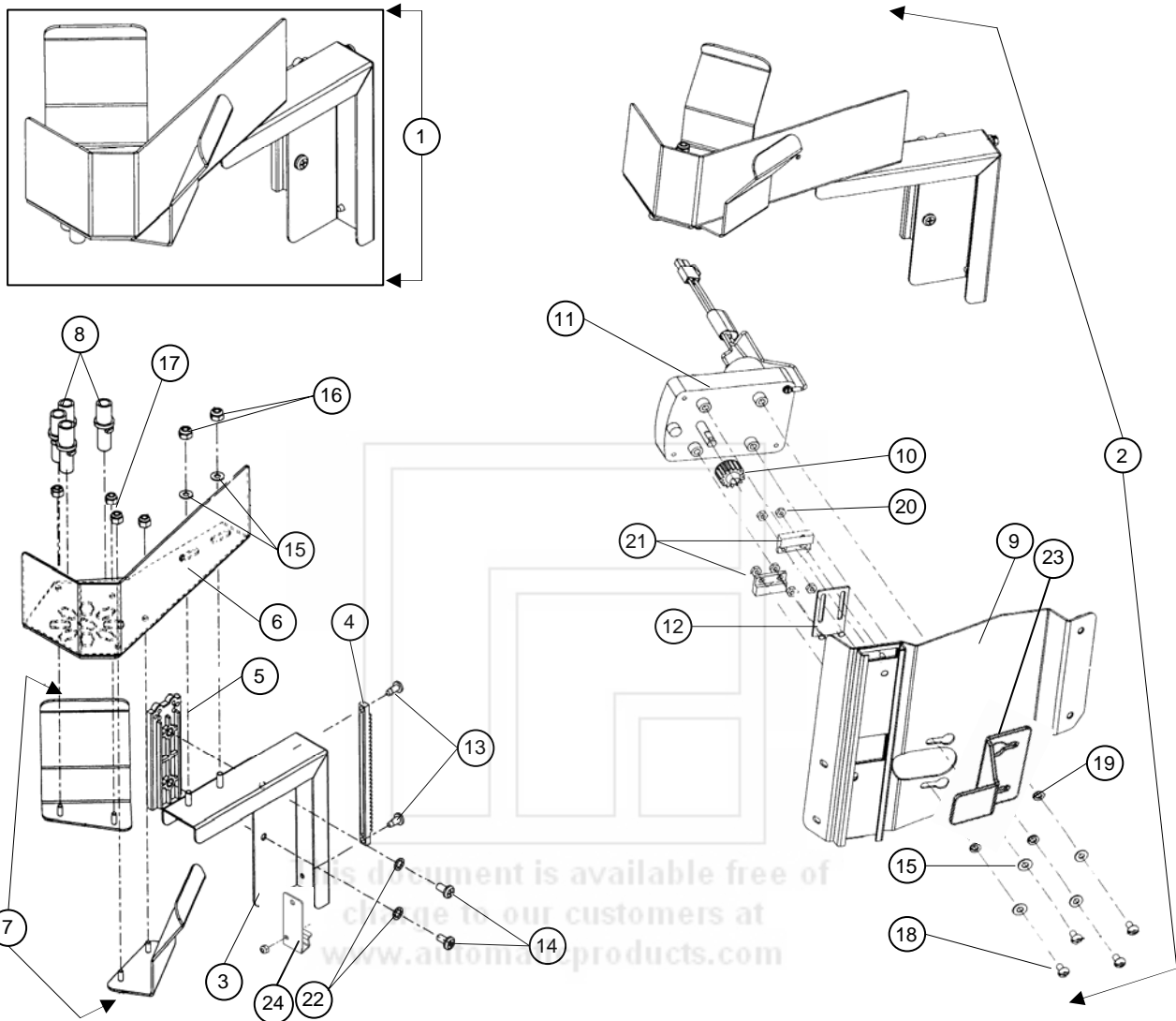
Item No.	Part No.	Description
1	26000149	BRACKET ASM WLD CUPWEL MTG
2	30973	BRACKET BUCKET
3	22000375	ARM WASTE BASKET LOCATOR
4	24400205	BUCKET LG OVERFLOW
5	26000302	GUARD ASM WELD GRNDS DEFLECTOR
5a	26000018	GUARD ASM WELD GRNDS DEFLECTOR
6	22000425	LATCH DOOR LOCK COMMON
	26000424	LATCH DOOR LOCK ODYSSEY
7	22000133	BRACKET TRACK SWING-OUT
8	38452	SPRING POSITION SWING-OUT
9	26600390	CARRIAGE ASM COMP
10	38378	BRACKET ASM WLD SWING-OUT
11	26600237	BOX ASM CARRIAGE STOP SWITCH
12	38370	ROD SWING-OUT
13	38371	BRACKET ROD SWING-OUT
14	26600214	BOX ASM POWER DISTRIBUTION
15	26000109	BRKT ASM HINGE RHD CDB BOX
16	26600198	BOX ASM CDB COMP
16a	23300013	MOISTURE PAD CDB
17	26000109-1	BRKT ASM HINGE LHD CDB BOX
18	22000397	BRACKET SERVICE MANUAL
19	22000245	COVER TOP CENTER CABINET DOOR WIRE
20	22000244	CVR LHD TOP CAB DR WIRING
21	26000183	BRACKET ASM WLD RINSE HOSE
22	22000111	BRACKET REAR HARNESS COVER (CDB)
23	420187	SCREW 5/16 X 3/4 HEX HD
24	600195	LEG ASM WLD REAR
25	600197	LEG ASM WLD FRONT LOCK SIDE
26	22000626	BRACKET HINGE LOWER
27	38447	BEARING CARRIAGE SWING-OUT
28	11073	SCREW 8-32X1/2 PH M PL
29	21042	NUT 8-32 STOP SCP
30	34802-1	CLIP WIRE HARNESS NY N-1000N
31	23100115	SCREW 8-32X3/8 PH PHL T23 ZP
32	300203	SHELF ROLLER SCREW
33	440362	SHELF ROLLER
34	36117	SCREW 10-32X1/2 RH PHL STL PLT

Item No.	Part No.	Description
35	00817	WASHER LOCK #10 EXTRN STAR SCP
36	22000134	GUIDE TRACK SWING-OUT
37	24000017	SPRING EXTENSION
38	38367	CARRIAGE ASM WLD SWING-OUT
39	38368	HANDLE LOCK CARRIAGE
40	22000201	BRACKET CARRIAGE STOP
41	14491	SCREW 8-32X3/8 BH PHL ST ZP
42	26000076	STOP ASM WLD CARRIAGE
43	38738	SWITCH 223 SWING-OUT
44	26600440	BREWER SPOUT ASM
45	26600438	OVERFLOW WASTE BUCKET SWITCH ASM
46	38741	HARNESS SWITCH WASTE FLOAT
47	22849	NUT 4-40 KEP
48	22000160	BRACKET OVERFLOW WASTE BUCKET SWITCH
49	34106-4	FLOAT ASM RED W/12.75 IN LEAD
50	38336	HNGE ASM WLD BRWER CAB SIDE
51	26600132	GROUND OVERFLOW BUCKET SWITCH ASM
51A	26800076	FD JUMPER HARNESS, GROUNDS SW
52	22001091	BRACKET GROUNDS BUCKET SWITCH
52a	22000048	BRACKET GROUNDS BUCKET SWITCH
53	34106	FLOAT ASM RED W/7 IN LEAD
54	21193	SCREW 4-40X3/4 RH M PHL
55	32740	NUT 4-40 TWIN-SPEED
58	300104	LEG LEVELING SCREW
59	22001092	GROUNDS GUARD SPLASH
59a	37243	GROUNDS GUARD SPLASH
60		WATER INLET ASSEMBLY <i>refer to pg 702</i>
61	38812	MANIFOLD EXHAUST BLOWER
62	38730	EXHAUST FAN
63	24400002	SCREEN, EXHAUST FAN
64	26600189	SERVICE LAMP ASSEMBLY
65	24400058	LENS COVER
66	26900005	BULBS 7.2w 24 volt
67	26800048	SERVICE LIGHT HARNESS
68	24400232	BUCKET SMALL, WATER OVERFLOW
NS	27500059	KICK PANEL ASM
NS	26600255	LINE CORD
NS	22001090	LINE CORD COVER

* NS = NOT SHOWN

**NOTE: On machines manufactured before serial # 22302072011, use item numbers #4a, #5a, #52a, #59a.

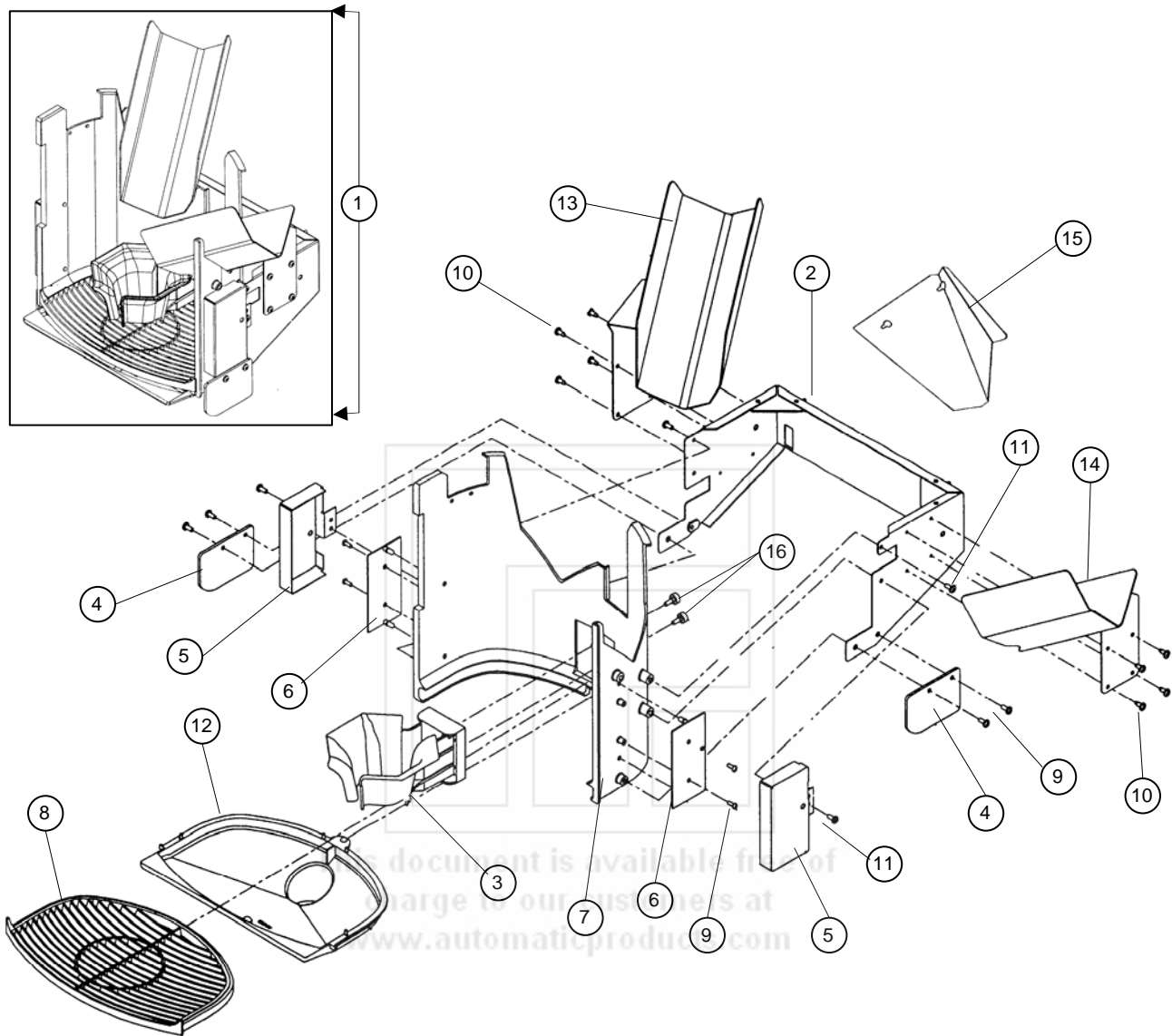
cupwell spout assembly



Item No.	Part No.	Description
1	26600003	SLIDE ASM w/ RACK SPOUT
2	26600257	SPOUT ASM DELIVERY
3	26000008	BRACKET WELD SPOUT
4	24400134	GEAR TRACK, SPOUT
5	24400142	SLIDE, MAGNETIC
6	22000271	SPOUT
7	26000152	STOP ASM, CUP
8	24400069	NOZZLE, DISPENSE SPOUT
9	26000006	BRACKET WELD ASM, SPOUT
10	24400135	SPOUT GEAR
11	26700001	MOTOR, 51 RPM 24VDC
12	26000196	SLIDE ASM SENSOR
13	14806	SCREW 8/32 nd x 3/8 HH
14	117-10R6	SCREW-PAN

Item No.	Part No.	Description
15	19510	WASHER FLAT
16	21042	NYLOC NUT 8-32
17	19927	NUT 6-32 LK NY INSERT
18	25795	SCREW 8/32 nd x 5/16 PH
19	28291	LOCK WASHER
20	438-4	NUT 4/40 KEPS
21	38679	SENSOR, MAGNETIC CUPWELL DOOR
22	17423	WASHER LOCK #10 INT STAR SCP
23	22001335	BRACKET SPOUT GEAR RETAINER
24	22001336	BRACKET SPOUT STOP
NS	26800080	HARNES SPOUT/CUPWELL - NOTE: this harness replaces individual harnesses 38743, 38696, and 38699

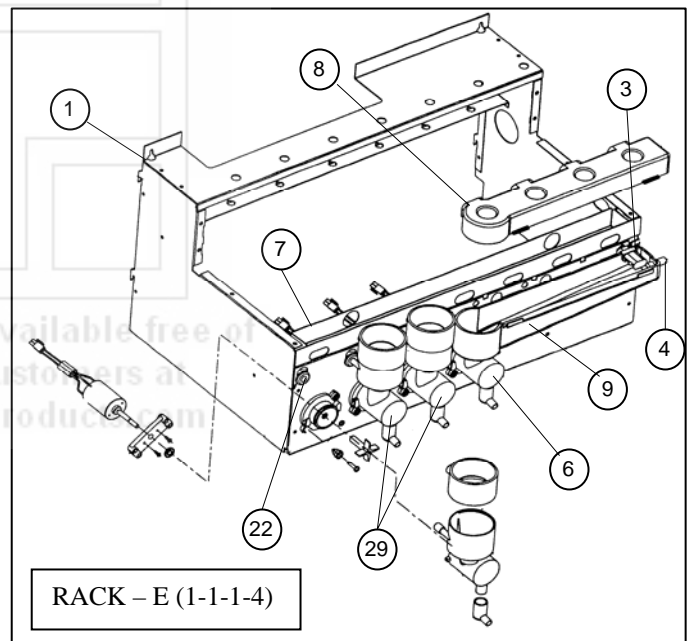
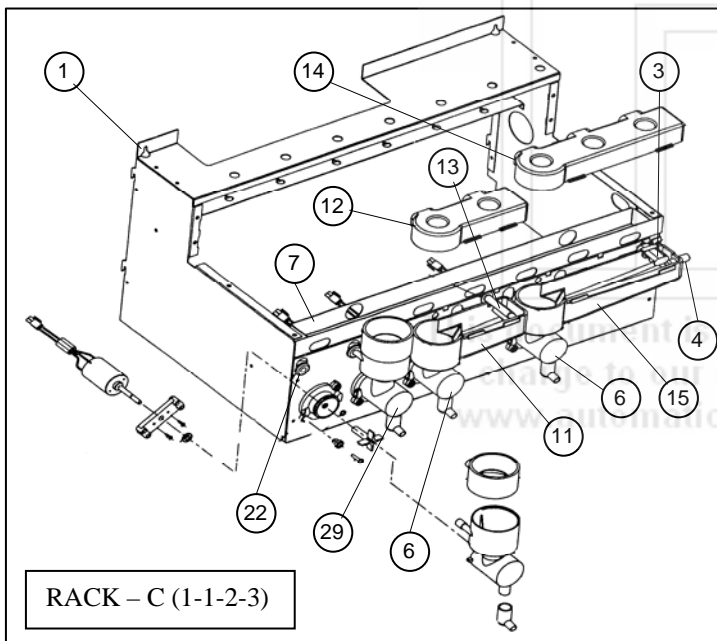
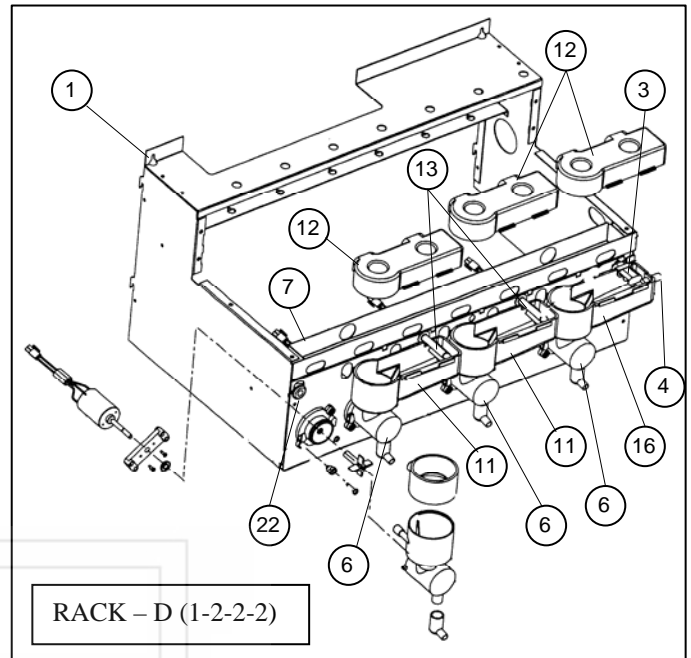
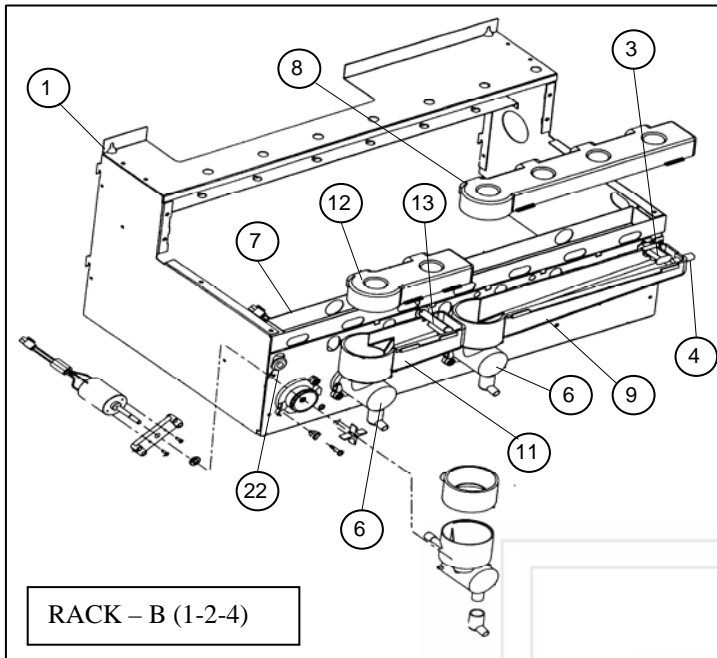
cupwell assembly



Item No.	Part No.	Description
1	26600005	CUPWELL ASM
2	26000028	BRACKET ASM, CUPWELL MTG.
3	26600004	CATCH ASM, CUP
3A	38783	CATCH LH CUPWELL
3B	38782	CATCH RH CUPWELL
3C	24000001	SPRING CUP CATCH
4	24400162	ALIGNMENT RAIL, CUPWELL
5	22000114	COVER, SENSOR BOARD
6	38779	BOARD, CUPWELL SENSOR
7	38789	CUPWELL
8	38785	GRILL, CUPWELL

Item No.	Part No.	Description
9	36524	SCREW 6 x 3/8 PHL
10	23100115	SCREW 8-32X3/8 PH PHL T23 ZP
11	14491	SCREW, 8 x 3/8
12	38788	TRAY, CUPWELL DRIP
13	26000145	CHUTE ASM WLD CUP DROP LHD
14	26000144	CHUTE ASM WLD CUP DROP RHD
15	26000403	COVER MOTORIZED SPOUT
16	23100003	SCREW 8-32 X 3/4 KNURLED THUMB
	26800080	HARNESS SPOUT/CUPWELL (this harness replaces harness part #'s 38743, 38696, and 38699)

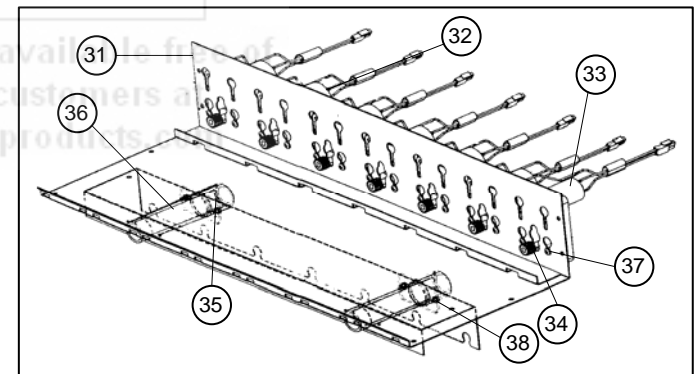
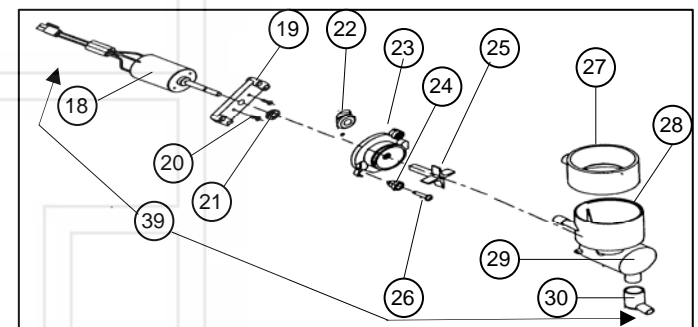
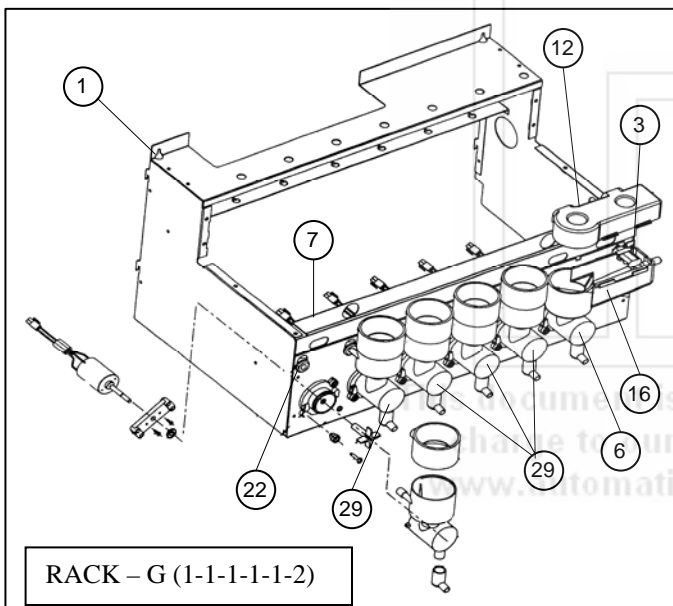
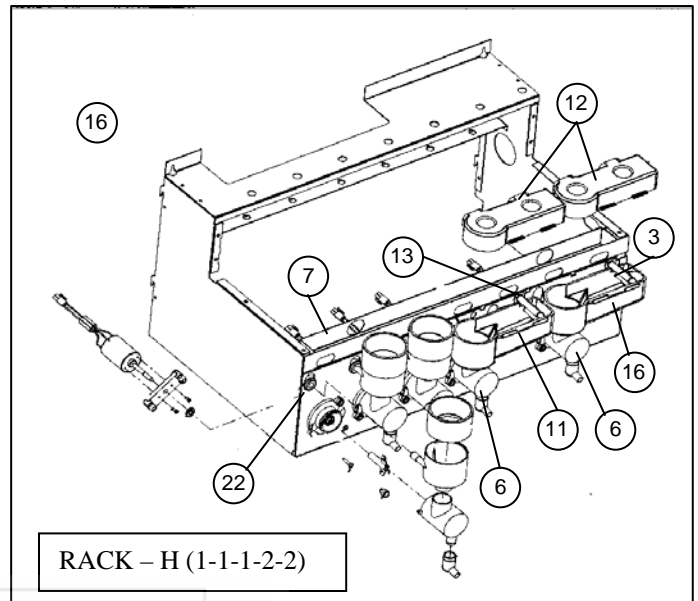
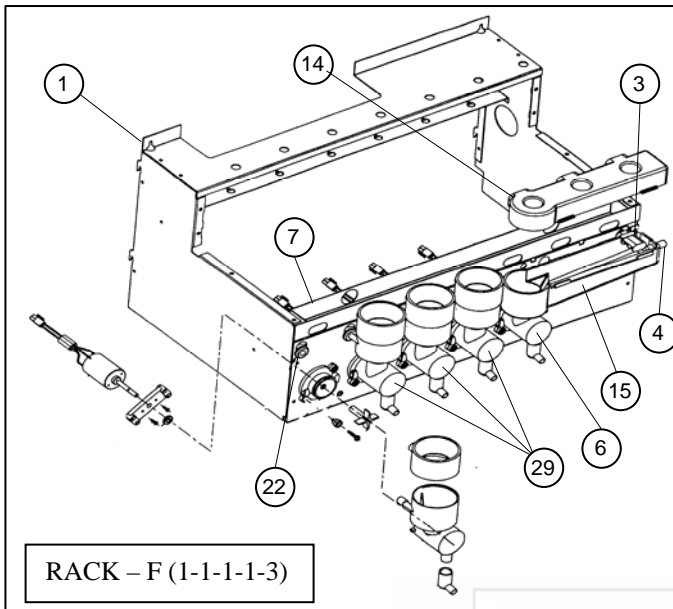
canister rack assembly



Item No.	Part No.	Description
1	26000143	RACK ASM, WELDED CANISTER
2	38594	CHUTE COMMODITY 5-POSITION
3	24400146	SPOUT, COFFEE TROUGH
4	24400138	INLET WATER COMMODITY
5	38598-01	TROUGH 5 POSITION
5a	38598-02	TROUGH 5 POSITION (MODIFIED FOR BROWN ELBOW)
6	24400081-01	CHAMBER WHIPPER SHORT INLET
7	22000286	EXHAUST BOX
8	38593	CHUTE COMMODITY 4-POSITION
9	38597-01	TROUGH 4 POSITION

Item No.	Part No.	Description
9a	38597-02	TROUGH 4 POSITION (MODIFIED FOR BROWN ELBOW)
10	38595-02	TROUGH 2-POSITION (MODIFIED FOR BROWN ELBOW)
11	38595	TROUGH 2-POSITION
12	38591	CHUTE COMMODITY 2-POSITION
13	38573	SPOUT TROUGH WATER-IN
14	38592	CHUTE COMMODITY 3-POSITION
15	38596-01	TROUGH 3-POSITION
15a	38596-02	TROUGH 3-POSITION (MODIFIED FOR BROWN ELBOW)
16	38595-01	TROUGH 2-POS COFFEE TROUGH

canister rack assembly

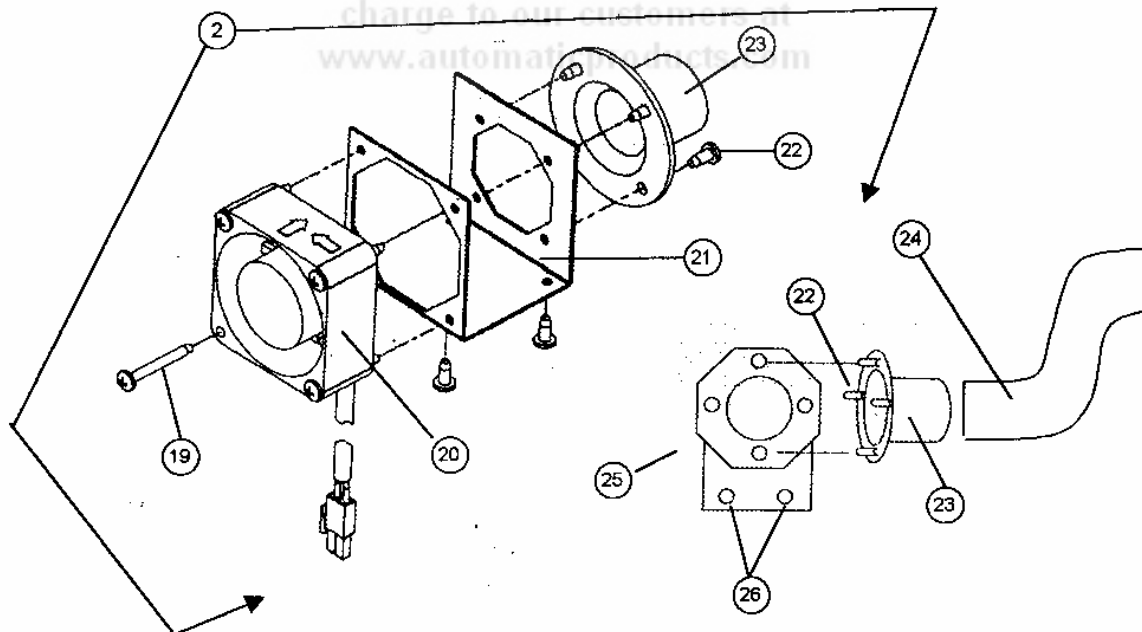
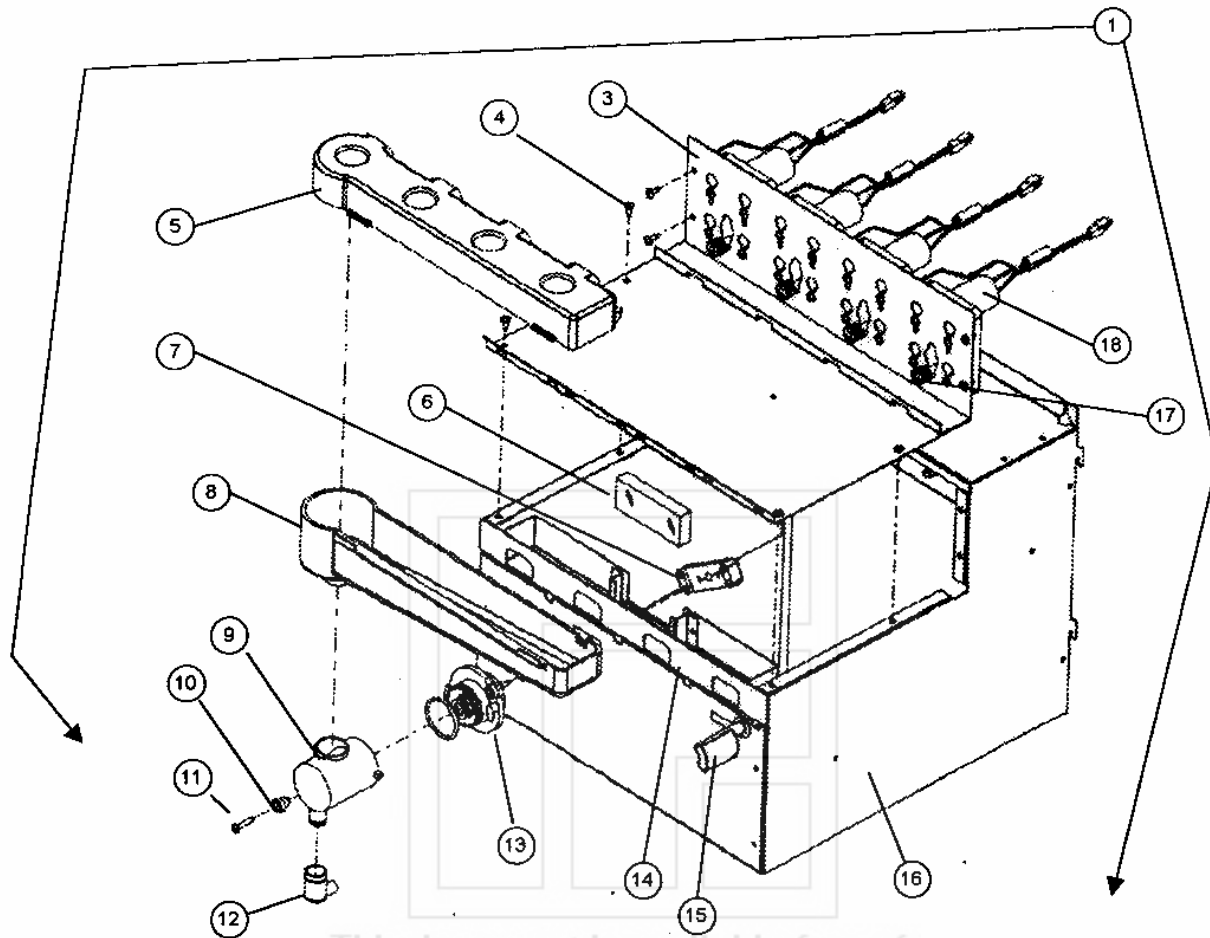


Item No.	Part No.	Description
18	26700003-01	WHIPPER MOTOR & BRACKET ASM
19	24400103	BRACKET, WHIPPER MOTOR MTG
20	23100074	SCREW M3X10 MM FLAT HEAD
21	24400104	SLING RING WHIPPER MTG BRKT
22	24400088	ADAPTOR, PIPE, OUTLET
23	24400211	BASE, WHIPPER, SNAP-ON W/SEAL
24	24400091	WHIPPER BASE ATTACHMENT RING
25	24400199	WHIPPER BLADE 2 BLADE
26	218-8R12	SCREW #8-3/4 HI/LO PH
27	24400072-01	HOOD, WHIPPER
28	24400089-01	MIXING BOWL, WHIPPER
29	24400081	CHAMBER WHIPPER TALL
	24400081-02	CHAMBER WHIPPER (used with 4 position trough only)

Item No.	Part No.	Description
30	24400080	ELBOW, REDUCER
31	26000146	PANEL, WELD, MOTOR MTG
32	26700002	MOTOR, 180 RPM, 24VDC
33	26700001	MOTOR, 51 RPM, 24VDC
34	36284	GEAR, DRIVE MOTOR
35	24400120	ADAPTOR, VACUUM HOSE
36	22100018	PIPE, AIR EXHAUST ADAPTOR
37	23100115	SCREW 8-32x3/8 PH PHL
38	276-8R4	SCREW 8-32x1/4 PH
39	27500022	WHIPPER BOWL ASM KIT (Includes items #18-30)
NS	22000305	SPOUT HOSE SUPPORT

* NS = NOT SHOWN

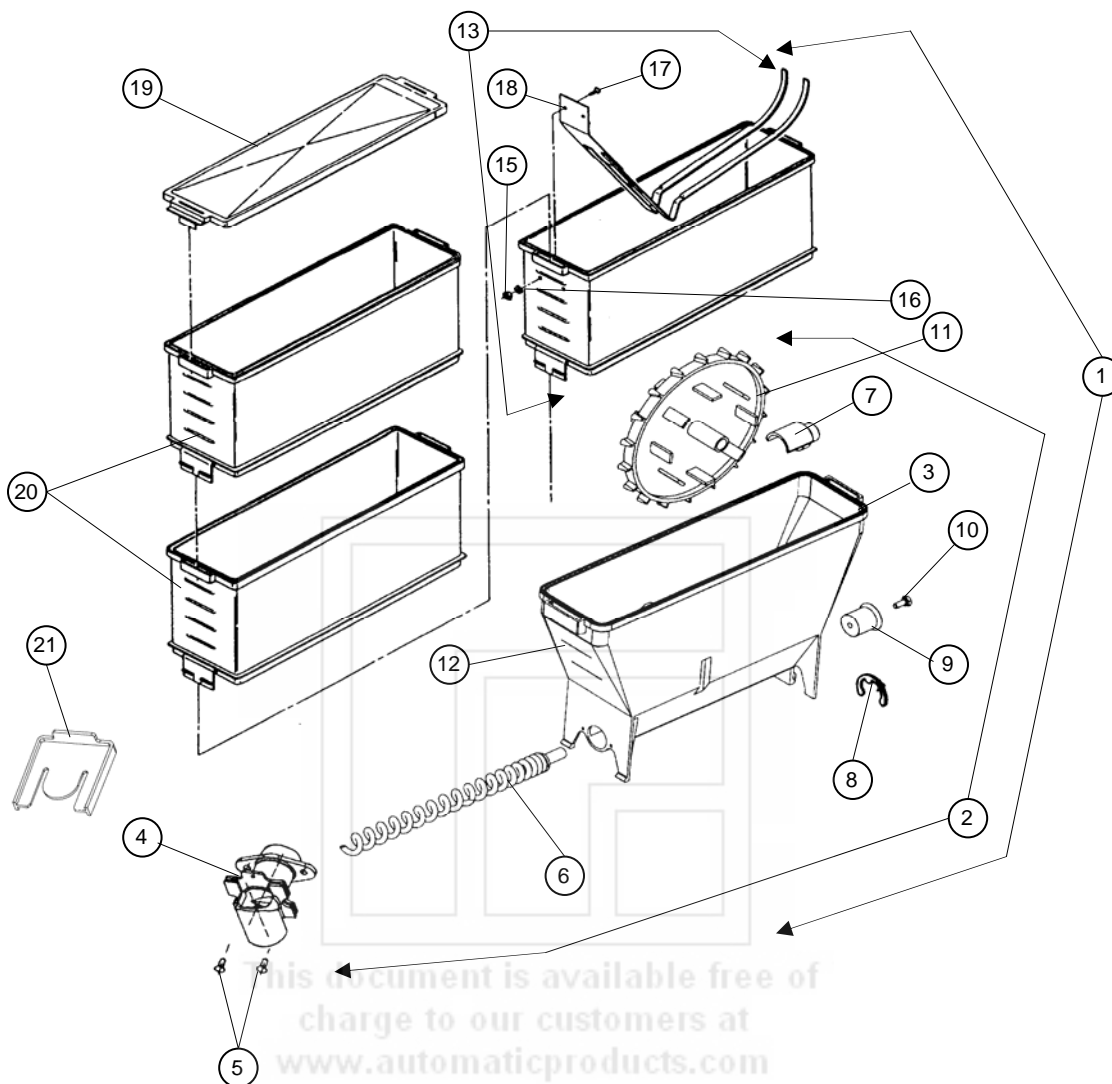
fdx extension rack assembly



Item No.	Part No.	Description
1	26600328-04	RACK ASM X4 FDX (ITEMS 3-18)
1a	26600328-03	RACK ASM X3 FDX (ITEMS 3-18)
1b	26600328-02	RACK ASM X2 FDX (ITEMS 3-18)
2	26600331	FAN MOUNT ASM FDX (ITEMS 19-23)
3	266000327-04	PANEL ASM X4 FDX COMM MOTOR
3a	266000327-03	PANEL ASM X3 FDX COMM MOTOR
3b	266000327-02	PANEL ASM X2 FDX COMM MOTOR
4	23100115	SCREW 8-32X3/8 PH PHL
5	38593	CHUTE, COMMODITY 4 CAVITY
6	24400154	MESH FILTER FDX
7	24400103	BRACKET MTG WHIPPER MOTOR
8	38597	TROUGH 4 COMMODITY
9	24400081-01	WHIPPER CHAMBER SHORT INLET
10	24400091	WHIPPER BASE ATACHMENT RING
11	218-8R12	SCREW 8X3/4 PN HD
12	24400080	ELBOW, REDUCER
13	24400101	BASE, MIXER, SNAP ON
14	26000211	MANIFOLD ASM WLD FDX
15	38573	SPOUT TROUGH WATER IN
16	26000208	RACK ASM WELD FDX
17	36284	GEAR DRIVE CANISTER MOTOR
18	26700001	51 RPM 24V MOTOR
19	276-8R20	SCREW 8-32X1 1/4 PH
20	38730	FAN EXHAUST 18 CFM 24VDC
21	22000416	PANEL FDX EXHAUST OUTLET
22	23100115	SCREW 8-32X3/8 PH PHL
23	32633	ADAPTER VACUUM HOSE
24	13290	EXHAUST HOSE
25	22000439	BRACKET EXHAUST MTG.
26	00825	SCREW 6-32X3/8 PHL RD
NS	26800075	RACK HARNESS

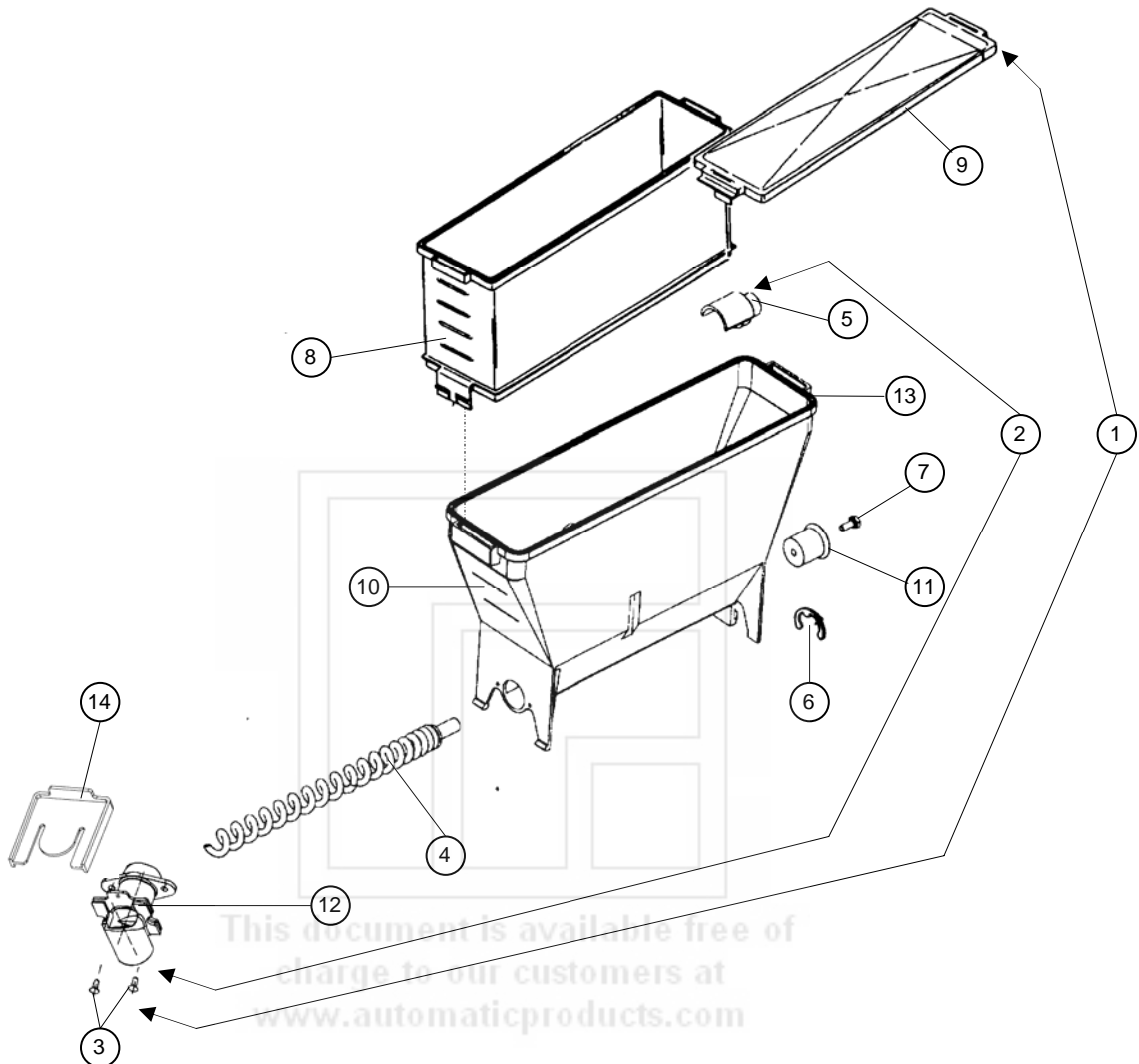
This document is available free of charge to our customers at www.automaticproducts.com

canister assemblies: chocolate, soup, sanka, fd coffee, sgc



Item No.	Part No.	Description
1	26600152-3	CANISTER ASM, CHOCOLATE (INCL ITEMS: 2-4, 5-12, 13-20)
1a	26600376	CANISTER ASM, SOUP (INCL ITEMS: 2-3, 4a, 5-11, 12a, 19)
1b	26600155	CANISTER ASM, SANKA, FD COFFEE (INCL ITEMS: 2-3, 4a, 5-11, 12b, 19)
1c	26600154-3	CANISTER ASM, SGC w/2 EXT & AGT (INCL ITEMS: 2-3, 4a, 5-11, 12d, 19)
2	26600148	CANISTER ASM, BASIC CHOCOLATE, SOUP, SANKA FD COFFEE & SGC (INCL ITEMS: 3-4, 5-11)
3	20288	CANISTER, BOTTOM BASE, PLASTIC
4	38673	SPOUT, CANISTER (No louvers)
4a	38672	SPOUT, CANISTER SGC
5	25034	SCREW, 6x3/8, FH, PHIL
6	20645-2	AUGER ASM, COMMODITY
7	20263	BEARING, REAR
8	17521-1	RING, RETAINING, 'E',

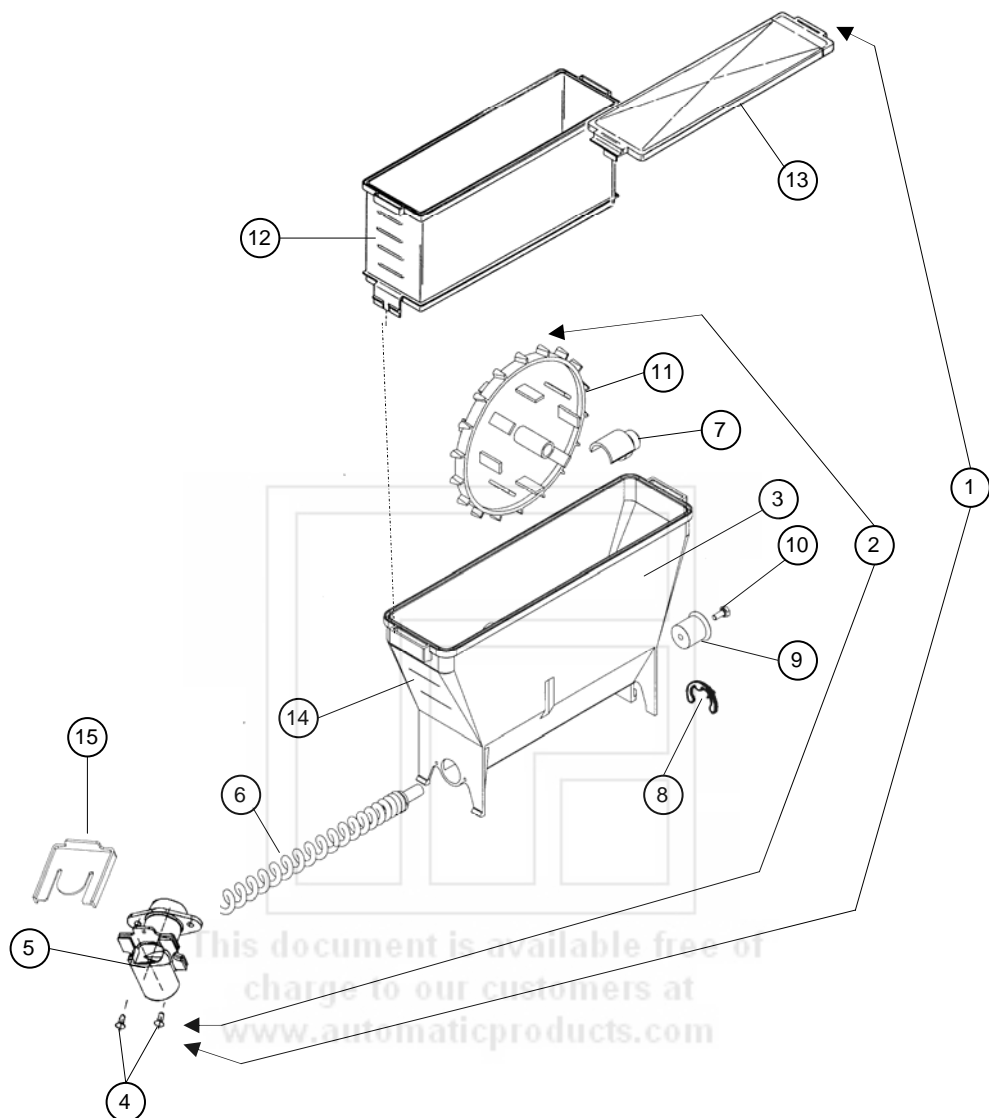
Item No.	Part No.	Description
9	25969	DRIVER, AUGER
10	25970	SCREW, AUGER DRIVE
11	20311	WHEEL, COMMODITY
12	15556-1	DECAL, CANISTER, CHOCOLATE
12a	15556-2	DECAL, CANISTER, SOUP
12b	15556-7	DECAL, CANISTER, SANKA
12c	15556-6	DECAL, CANISTER, COFFEE
12d	15556-9	DECAL, CANISTER, SPECIALTY
13	23731	EXTENSION ASM, w/ AGITATOR (INCL ITEMS: 14-18)
14	23711	EXTENSION, CANISTER
15	19927	NUT, 6-32 nd LK, INSERT
16	00826	WASHER, FLAT #6, PL
17	24529	SCREW, 6-32 nd x 5/16, WELD, SS
18	23757	AGITATOR, CANISTER
19	20647	LID, CANISTER
20	20290	EXTENSION, CANISTER
21	38675	SLIDE, SHUT-OFF SPOUT



Item No.	Part No.	Description
1	26600150-1	CANISTER ASM SUGAR (incl. items 3-14)
2	26600149	CANISTER, BOTTOM BASIC, PLASTIC (Incl. items: 3-7, 11-13)
3	25034	SCREW, 6x3/8, FH, PHILLIPS
4	20645-2	AUGER ASM, COMMODITY
5	20263	BEARING, REAR
6	17521-1	RING, RETAINER, "E"

Item No.	Part No.	Description
7	25970	SCREW, AUGER DRIVE
8	20290	EXTENSION, CANISTER
9	20647	LID, CANISTER
10	15556-5	DECAL, CANISTER, SUGAR
11	36285	DRIVE SOCKET, CANISTER MOTOR
12	38673	SPOUT w/RAMP, 90 DEGREE
13	20288	CANISTER BOTTOM BASIC
14	38675	SLIDE, SHUT-OFF SPOUT

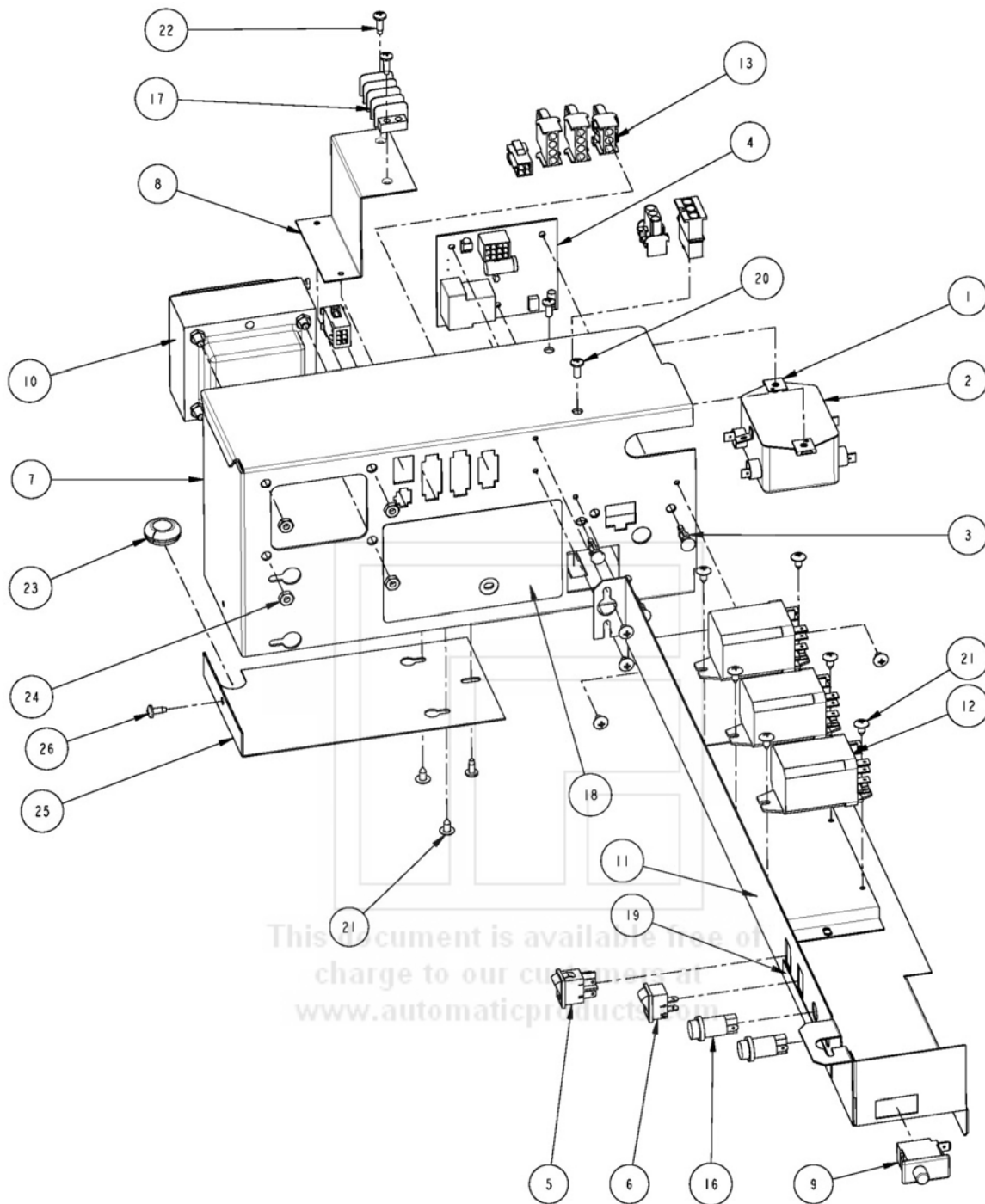
canister assemblies: light, tea, and sugar substitute



Item No.	Part No.	Description
1	26600151	CANISTER ASM, LIGHT (Incl. Items 3-4, 5a, 6-14)
2	26600156	CANISTER ASM, SOLUBLE TEA (Incl. Items 3-4, 5a, 6-11, 13, 14a)
2a	26600153	CANISTER ASM, LO-CAL SUGAR SUB (Incl. Items 3-4, 5a, 6-11, 13, 13b)
2b	26600147	CANISTER, BOTTOM BASIC (Incl. Items 3-4, 5a, 6-11)
3	20288	CANISTER, BOTTOM
4	25034	SCREW, 6x3/8, FH, PHIL.
5	38673	SPOUT, CANISTER w/ RAMP No/ Louver
5a	38674	SPOUT, CANISTER, w/ 1 Louver w/ramp
5b	38672	SPOUT, CANISTER, No RAMP / Louver

Item No.	Part No.	Description
6	20645-2	AUGER ASM, COMMODITY
7	20263	BEARING, REAR
8	17521-1	RING, RETAINING, 'E'
9	36285	DRIVE SOCKET, CANISTER MOTOR
10	25970	SCREW, AUGER DRIVE
11	20311	WHEEL, COMMODITY
12	20290	EXTENSION, COMMODITY
13	20647	LID, CANISTER
14	15556-4	DECAL, CANISTER, LIGHT
14a	15556-3	DECAL, CANISTER, TEA
14b	15556-8	DECAL, CANISTER LO-CAL SUG-SUB
15	38675	SLIDE SHUT-OFF SPOUT

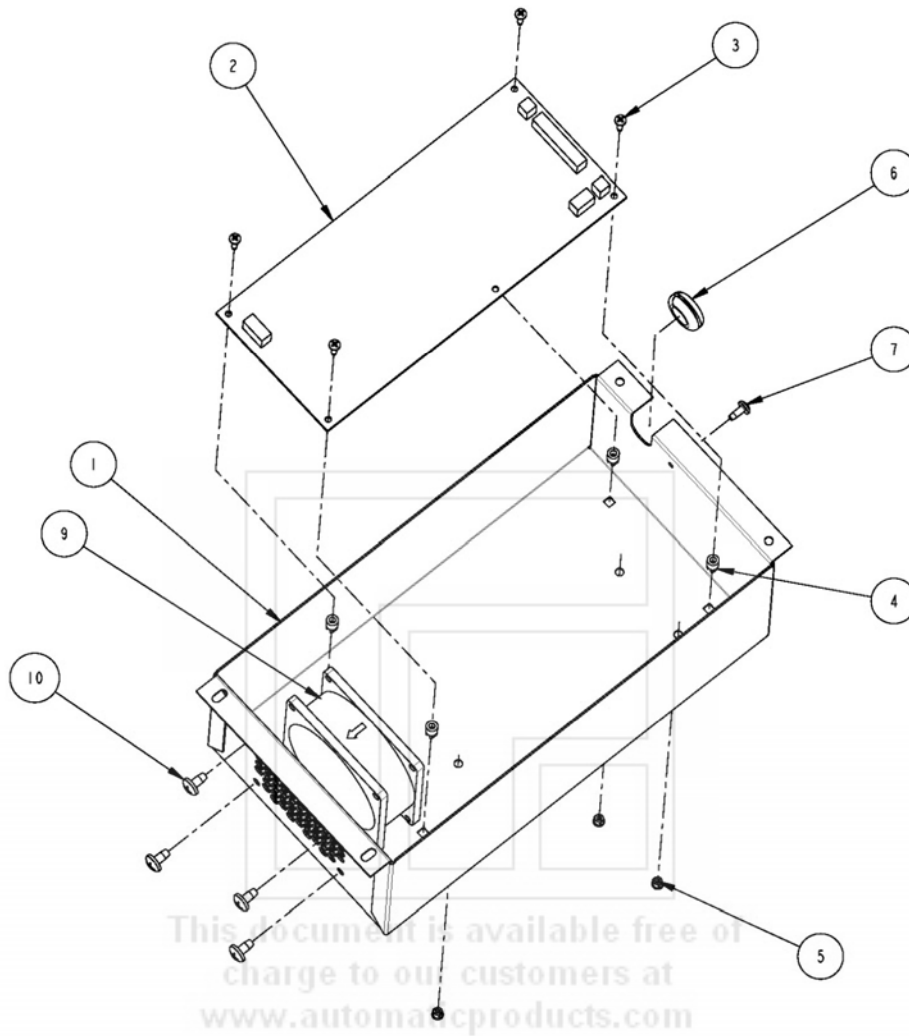
Power Box With Bottom Mount Power Supply



Item No.	Part No.	Description
	26600564	Power box w/Bottom Mount Power Supply
1	28240	8-32 nut
2	380304	EMI Filter
3	32353	Stand Off, PC Board
4	38778	Power Control Board Assembly
5	380243	Rocker Switch
6	380298	Rocker Switch SPDT
7	22001420	Box Only, Power Supply
8	22001390	Bracket for Terminal Strip
9	23800003	Switch, Cherry
10	23900009	Transformer, LCB Control
11	26000335	Extension Bracket Weld Assm
12	26700016	Relay, Heater, 25 Amp
13	26800050	Harness, Power Distribution Box

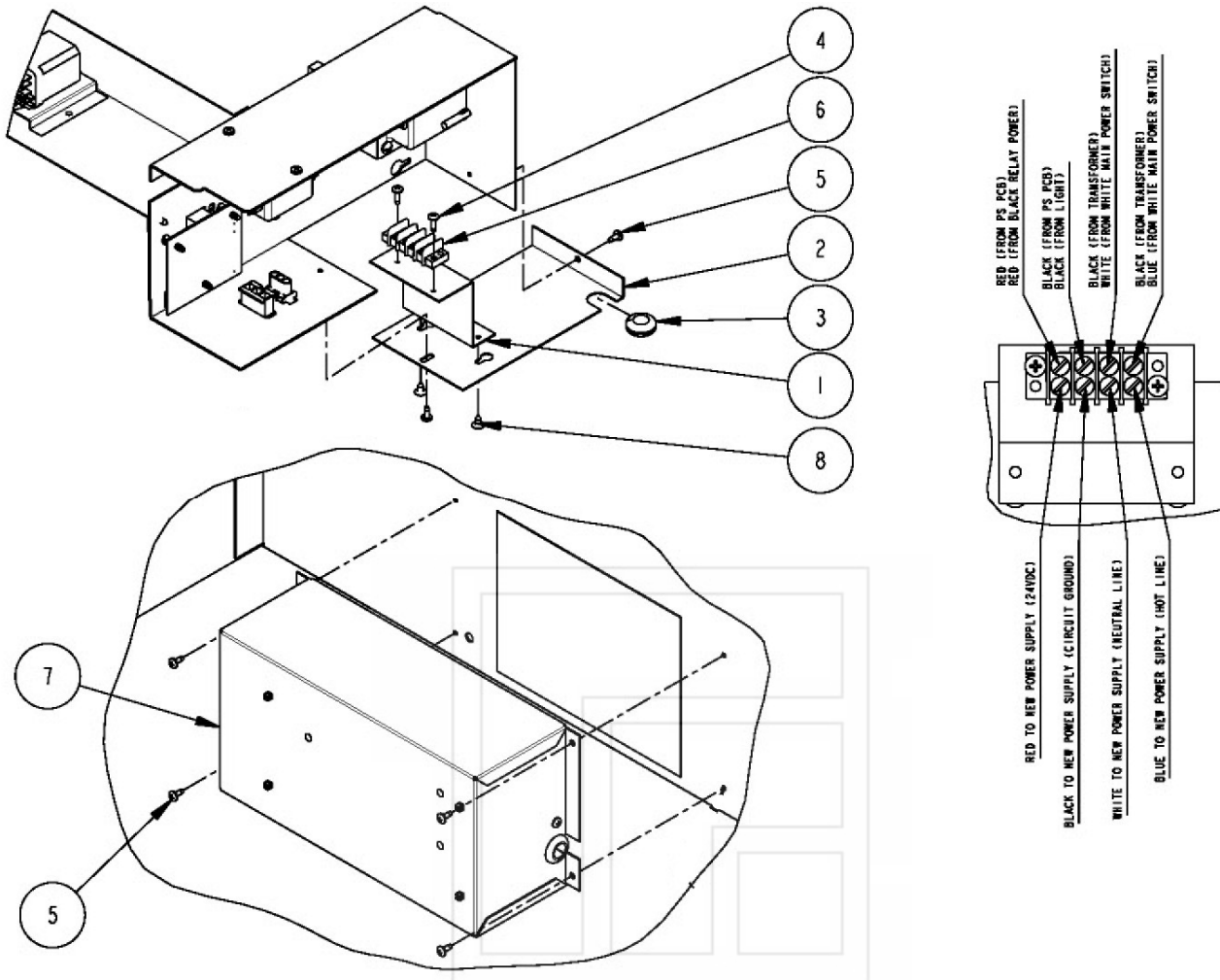
14	26800051	Harness, Pwr Dist, 24V, Not Shown
14a	26800107	Harness, Heat Bypass Relay
16	26900006	Lamp Neon
17	27100018	Terminal Strip
18	27400042	Decal, Power Distribution
19	27400043	Decal, Lights / Switches
20	116-8R6	Screw 8-32 X 3/8
21	210-8R6	Screw #8 X 3/8
22	276-8R8	Screw 8-32 X 1/2
23	420135-9	Grommet 7/16 ID X 3/4 OD
24	438-8	8-32 Nut
25	22001391	Bottom Cover
26	276-8R6	Screw 8-32 X 3/8
NS	30462	Mov Assembly 120VAC

Cosel Power Supply Assembly Mounted Under Canister Rack



Item No.	Part No.	Description
	26600548-01	Box Assembly With Optional Fan
	26600548	Box Assembly Without Optional Fan
1	22001386	Box only
2	23600018	Power Supply Board
3	218-6R8	Screw, #6 X 1/2
4	17100003	Stand off for Circuit Board
5	420040-13	Plug
6	420135-9	Grommet, 7/16 ID X 3/4 OD
7	276-8R6	Screw, 8-32 X 3/8
8	26800109	Harness Line & 24V Extension
9	16700018	Muffin Fan
10	305-10R6	Plastite Screw, #10 X 3/8

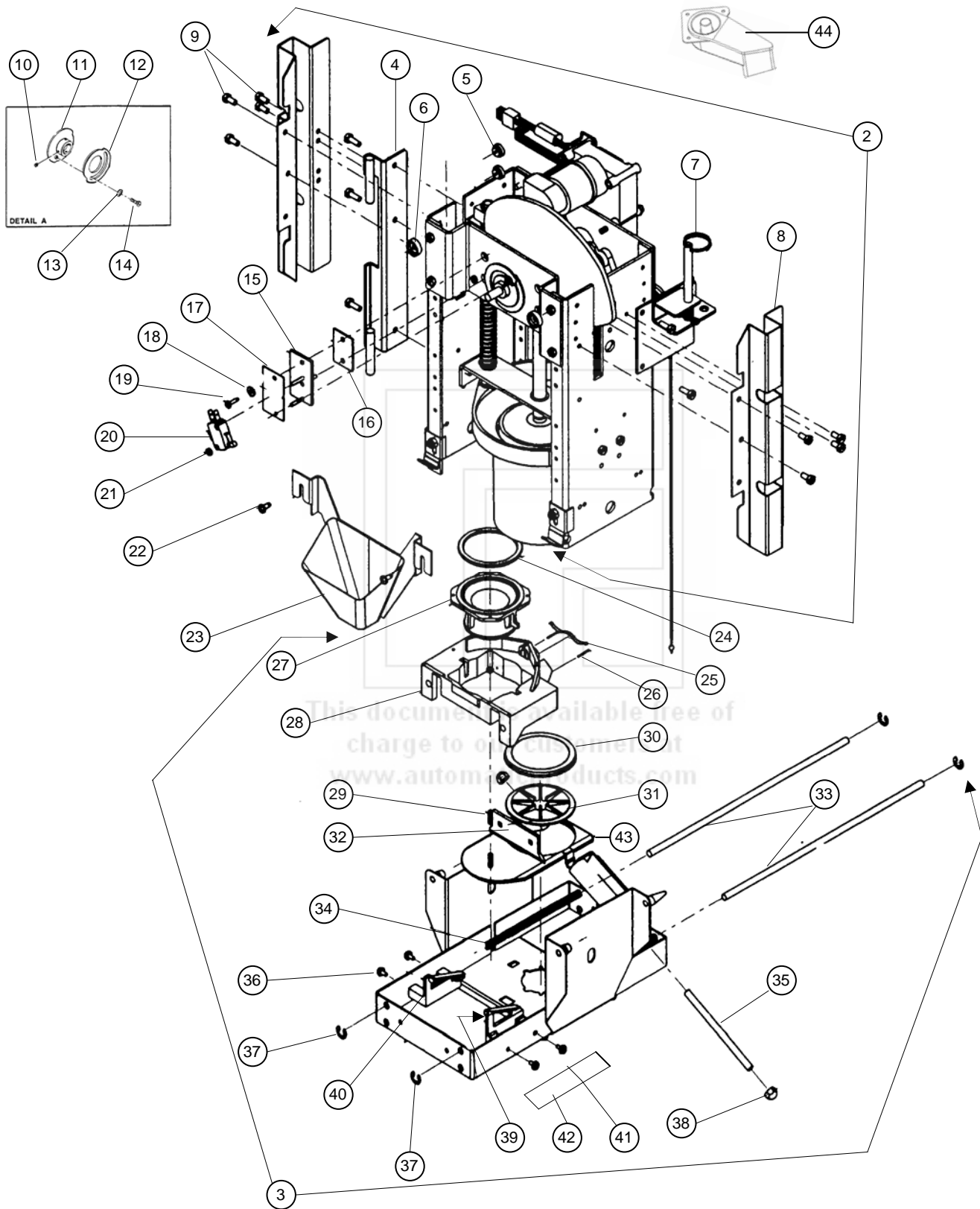
Power Box Relocation Kits



This document is available free of charge to our customers at www.automaticproducts.com

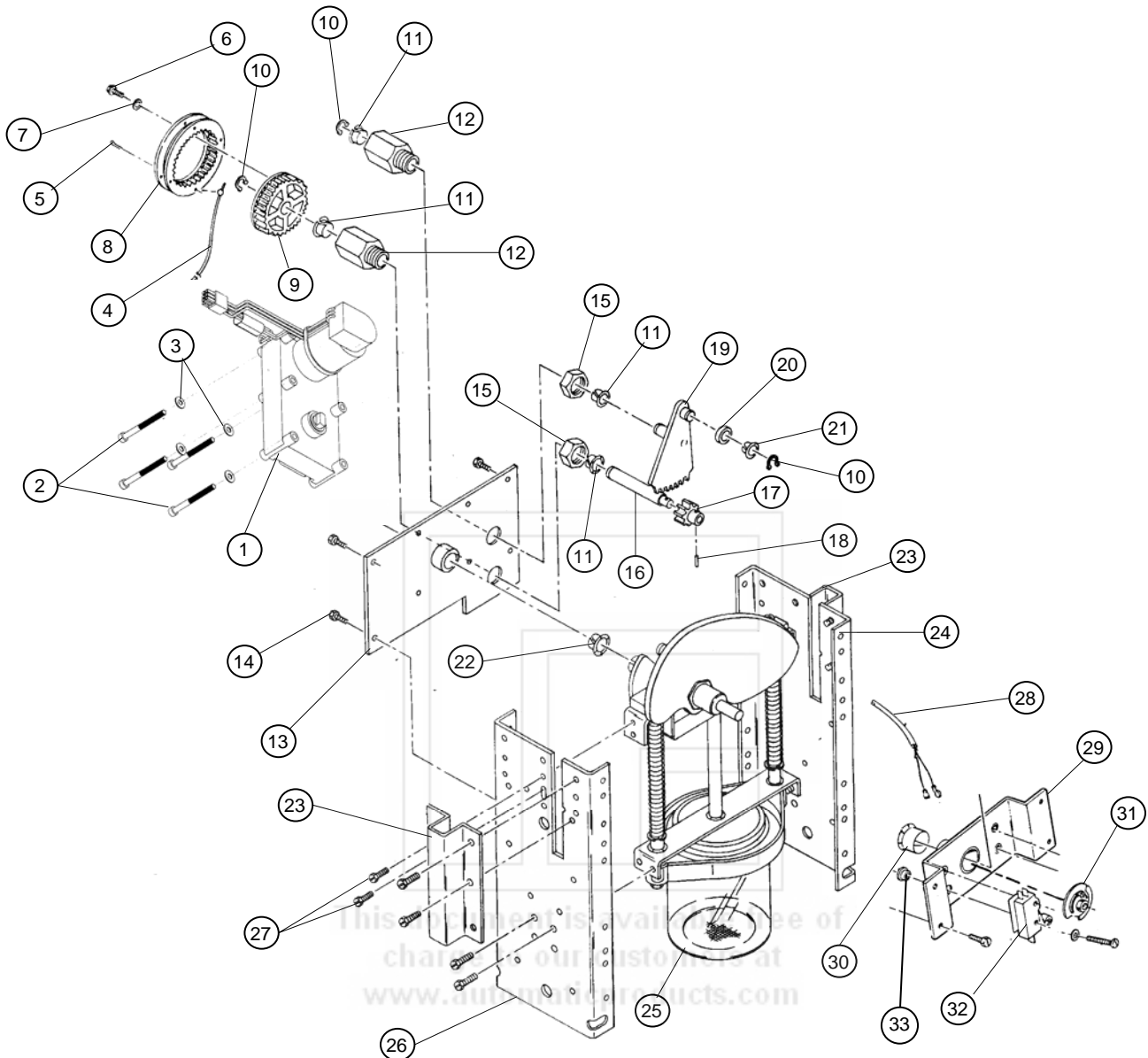
Item No.	Part No.	Description
	27500109-02	Kit to Remove Meanwell power supply above brewer and install Cosel power supply below canister rack. Cosel Power supply is included, optional fan is not included.
	27500109-04	Kit to Remove Meanwell power supply above brewer and install Cosel power supply below canister rack. Cosel Power supply and optional fan is included.
1	22001390	Bracket
2	22001391	Cover, Power Box
3	450139-9	Grommet, 7/16 ID X 3/8 OD
4	276-8R8	Screw 8-32 X 1/2
5	276-8R6	Screw 8-32 X 3/8
6	27100018	Terminal Strip
8	210-8R6	Screw #8 X 2/8
9	27500120	Kit to replace Meanwell power supply below canister rack with Cosel Power supply.

brewer asm complete



Item No.	Part No.	Description
1	26600119	BREWER ASM COMPLETE
2	26600120	BREWER ASM BASIC UPPER W/ 24V MOTOR
3	26600108-1	BASE ASM COMPLETE w/ BROWN COURSE FILTER (STANDARD IN PRODUCTION)
	26600108	BASE ASM COMPLETE w/ BLACK FINE FILTER
4	38335	HINGE BRACKET BREWER
5	17848	NUT, BREWER SWITCH MTG NYLON INS
6	24400084	BUMPER, COFFEE CANISTER
7	18343	LATCH ASM, SWING OUT BREWER
8	35091	COVER, CAM BREWER 12oz
9	14805	SCREW 10-32 nd x 3/8 HH
10	00652	SCREW, 6-32 x 3/16, SOCKET SET, CUP POINT
11	13151	CAM W/HUB, STATIONARY, TAPPED
12	13152	CAM, SLOTTED
13	00826	WASHER, FLAT #6, PL
14	13154	SCREW, 6-32 x 1/4, HH, SD PL
15	26000215	BRACKET ASM SWITCH
16	22000451	SPACER, BREWER SWITCH
17	27100013	INSULATION SWITCH BREWER
18	600-6	WASHER #6 PLAIN ZP
19	276-6R8	SCREW 6x1/2 PH
20	23800014	MICRO SWITCH BREW CYCLE
	17583	MICRO SWITCH BEFORE SERIAL # 22301073001
21	438-4	NUT 4-40 KEP
22	23100115	SCREW 8-32x38 PH
23	26000254	FUNNEL ASM WLD BRWR LRG OUTLET
24	12798	SEAL, BREW CAVITY
25	24000005	SPRING, WIPER BLADE
26	06031	PIN COTTER 1/16x1/2SS
27	36772	CHAMBER, BREWER 12oz
	37283	CHAMBER, BREWER 12oz WITH SEAL
28	35147-1	CARRIAGE BREWER
	26600230	CARRIAGE BREWER ASM (# 28,26,25,32)
29	14435	SPRING, BREW CHAMBER
30	26600095-1	COURSE FILTER ASM FIXED FILTER, w/ BROWN GASKET (STANDARD IN PRODUCTION)
	26600095	FINE FILTER ASM FIXED FILTER, w/ BLACK GASKET
31	24400003	FUNNEL, FIXED FILTER
32	24400010	BLADE, WIPER, FIXED FILTER
33	14344	ROD, CARRIAGE SUPPORT
34	15528	SPRING, CARRIAGE RETURN
35	16291	SHAFT, IDLER
36	38198	SCREW 6/32x1/4 HH
37	17521-3	RETAINING RING, 1/4, BCU
38	16419	NUT KEP 8/32 nd
39	37186	PAWL, BREWER, RHD, MOLDED
40	37186-1	PAWL, BREWER, LHD, MOLDED
41	24400164	RING DRIP
42	27000047-01	TUBING, 7/8 OD x 5/8" ID, CLEAR (12 INCHES)
	27000047	TUBING, 7/8 OD x 5/8" ID, CLEAR (SPECIFY INCHS)
43	24400018	FRAME, FIXED FILTER 12 oz
44	26600440	BREW WATER SPOUT ASSEMBLY

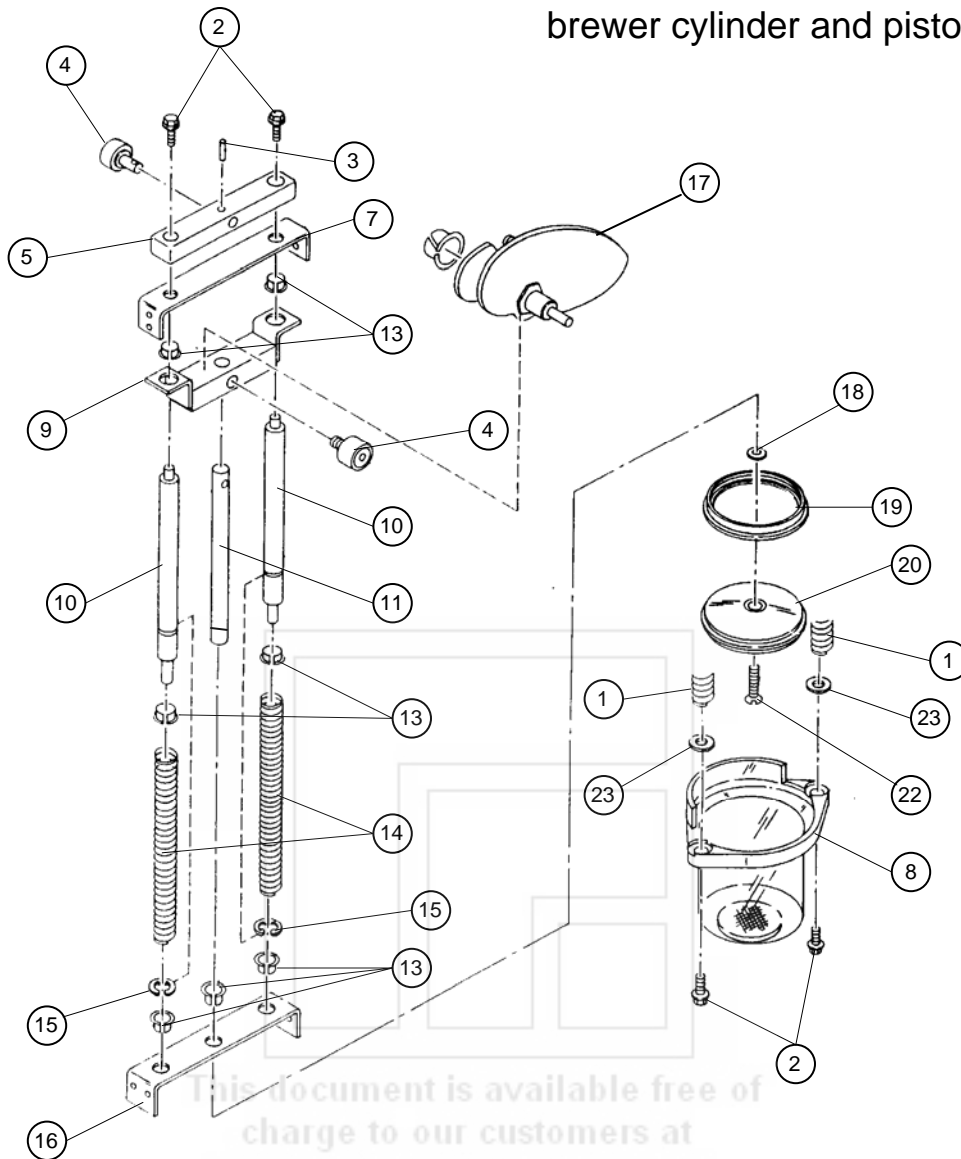
brewer back panel / front channel & main



Item No.	Part No.	Description
1	26700005	MOTOR, BREWER COFFEE 24VDC
2	17846	SCREW, 10-32 nd x 2in, SOCKET HEAD CAP
3	17423	WASHER, LOCK, #10 INT STAR, PL
4	17404-1	CABLE ASM, SLOW RETURN 12oz, 16"
5	17412	PIN, COTTER 1/16 X 3/4, ss
6	14806	SCREW, 8-32 nd x 3/8, HH, ZP, F, SD, WA
7	00961	WASHER, FLAT #8, PL
8	15553	SPOOL, OUTER
9	15554	SPOOL, INNER
10	17521-7	RING, RETAINING, 3/8 BCU
11	16058	NYLINER, 6L6F
12	17683	SLEEVE, BEARING
13	17531	PANEL ASM, BREWER BACK
14	14805	SCREW, 10-32 nd x 3/8, HH, SD, PL
15	00822	NUT, 5/8-18 x 3/16, HEX, BRASS
16	15521	SHAFT, PINION
17	15520	GEAR, PINION

Item No.	Part No.	Description
18	14511	PIN, ROLL, 3/32 nd x 1/2, ss
19	15522	GEAR ASM, SEGMENT
20	15512	CAM FOLLOWER
21	16438	NYLINER, CAM FOLLOWER
22	16058-5	NYLINER, 12L12FGS
23	35091	SUPPORT PLATE, CAM COVERS
24	35086	CHANNEL, BRWER SIDE, RHD, 12oz
25		CYLINDER & PISTON ASM, BREWER REFER TO PAGE 403
26	35085	CHANNEL, BREWER SIDE, LHD, 12oz
27	22220	SCREW, 10-32 nd x 1/2, HH, TP, PL
28	38715	BREWER HARNESS
29	35141	CHANNEL ASM, FRONT, 12oz BREWER
30	16058-21	NYLINER, 10L10 FGS
31	13147	CAM ASM, COMPLETE
32	23800014	CYCLE SWITCH
33	17848	NUT BREW SWITCH MOUNTING, NYLON

brewer cylinder and piston assemblies

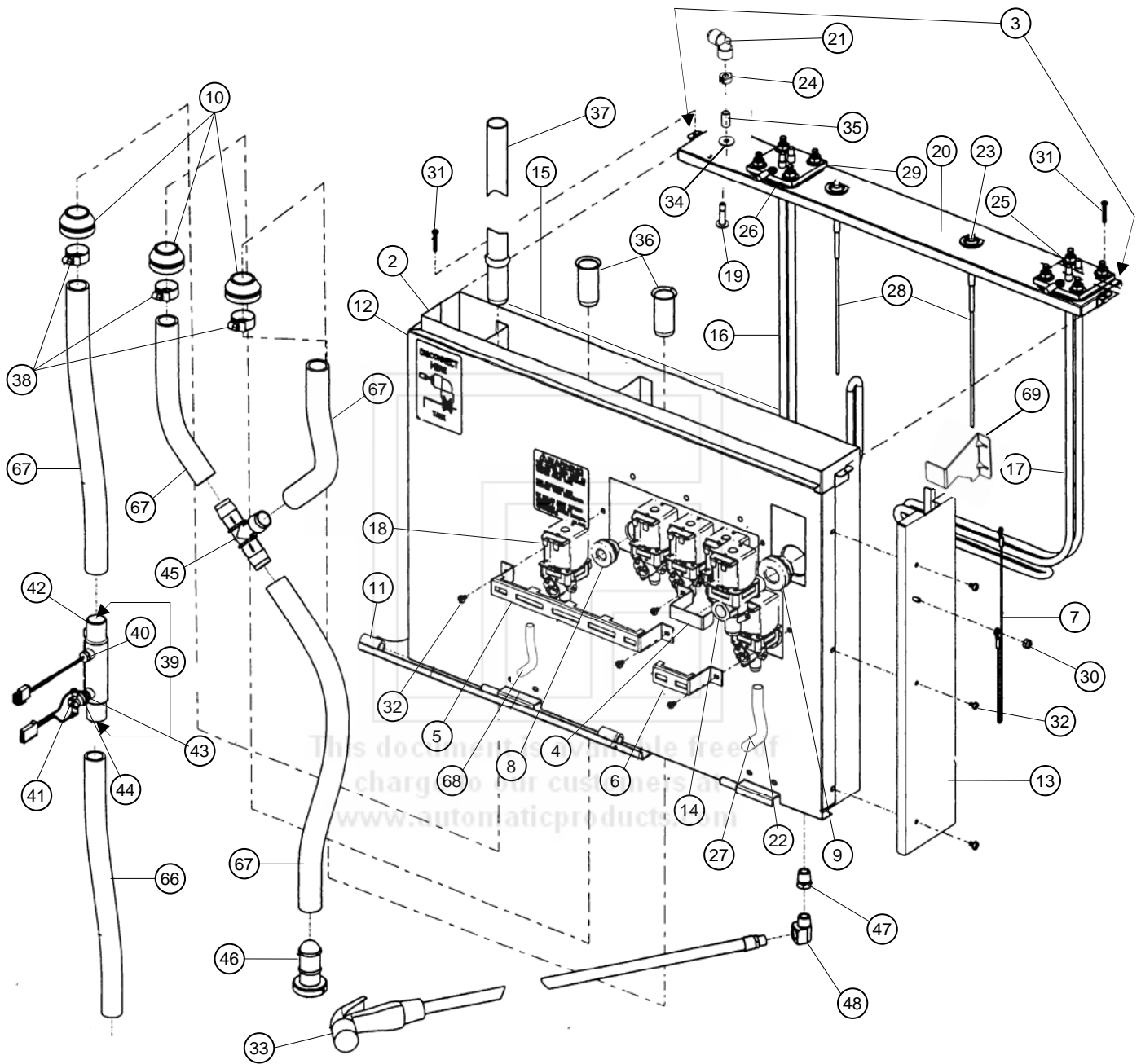


Item No.	Part No.	Description
	26600401	COMPLETE CYLINDER AND PISTON ASSEMBLY, INCLUDES ALL ITEMS IN THIS PAGE.
1	24000028	BREWER ASSIST SPRINGS
2	17415	SCREW, ¼-20x1/2 HH
3	14511	PIN, ROLL 3/32x1/2, SS
4	11947	FOLLOWER, CAM, SEALED
5	17324	BRIDGE, CYLINDER, 12oz
6	35169	BRIDGE ASM, CYLINDER (INCLUDES 3, 4, & 5)
7	17326	BRACKET, GUIDE TOP
8	35077	CYLINDER, BREWER 12oz
9	23200007	BRIDGE, PISTON, 12oz
10	35079	ROD, CYLINDER, 12oz
11	23000006	*ROD, PISTON, 12oz (METRIC)
12	18997	BRIDGE ASM, PISTON (INCLUDES 4, 9, & 11)

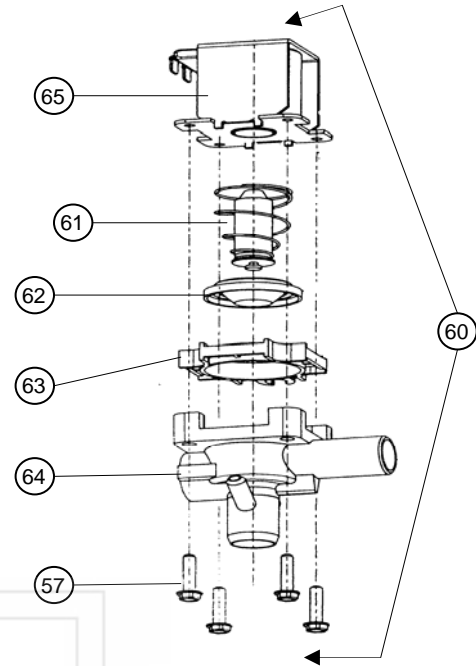
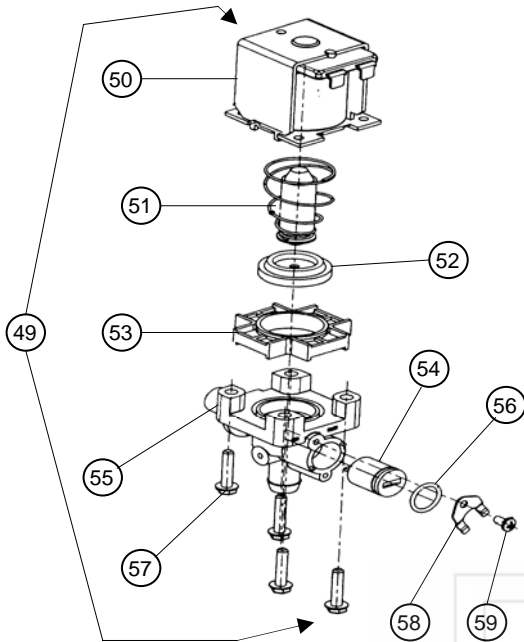
Item No.	Part No.	Description
13	16058-16	NYLINER, 8L12F
14	24000035	SPRING, PISTON RETURN.12oz, (29 TURNS)
15	17521-10	RING, RETAINING, 7/16, SS
16	17325	BRACKET, GUIDE, BOTTOM
17	36353	CAM ASM, BREWER ASM 12oz
18	13085	GASKET, PISTON
19	29482	SEAL, PISTON, WHITE SILICONE
20	29481-1	*PISTON, MOLDED, RED (METRIC)
21	29483-1	*PISTON ASM, RED, w/WHITE SEAL (METRIC) (INCLUDES ITEMS 18,19,20)
22	23100114	*SCREW M5X. 8 X 30MM PHILLIPS (METRIC)
23	13839	WASHER, CYLINDER 3/8x 11/16x1/16, SS

*As of May 5, 2003, starting with Serial # 22301170001, neither the standard type piston nor the piston rod is available through APi Spare Parts. If you have to replace a standard type piston or rod, you will need to convert to the metric type by ordering a Piston Conversion Kit Part # 27500091. If your brewer has a piston rod with a groove located ½ inch above piston and the screw head on the piston is a Phillips head type, then the brewer assembly already contains the metric type piston, rod and screw.

hot water tank assembly (before serial number # 22301306015)



hot water tank assembly

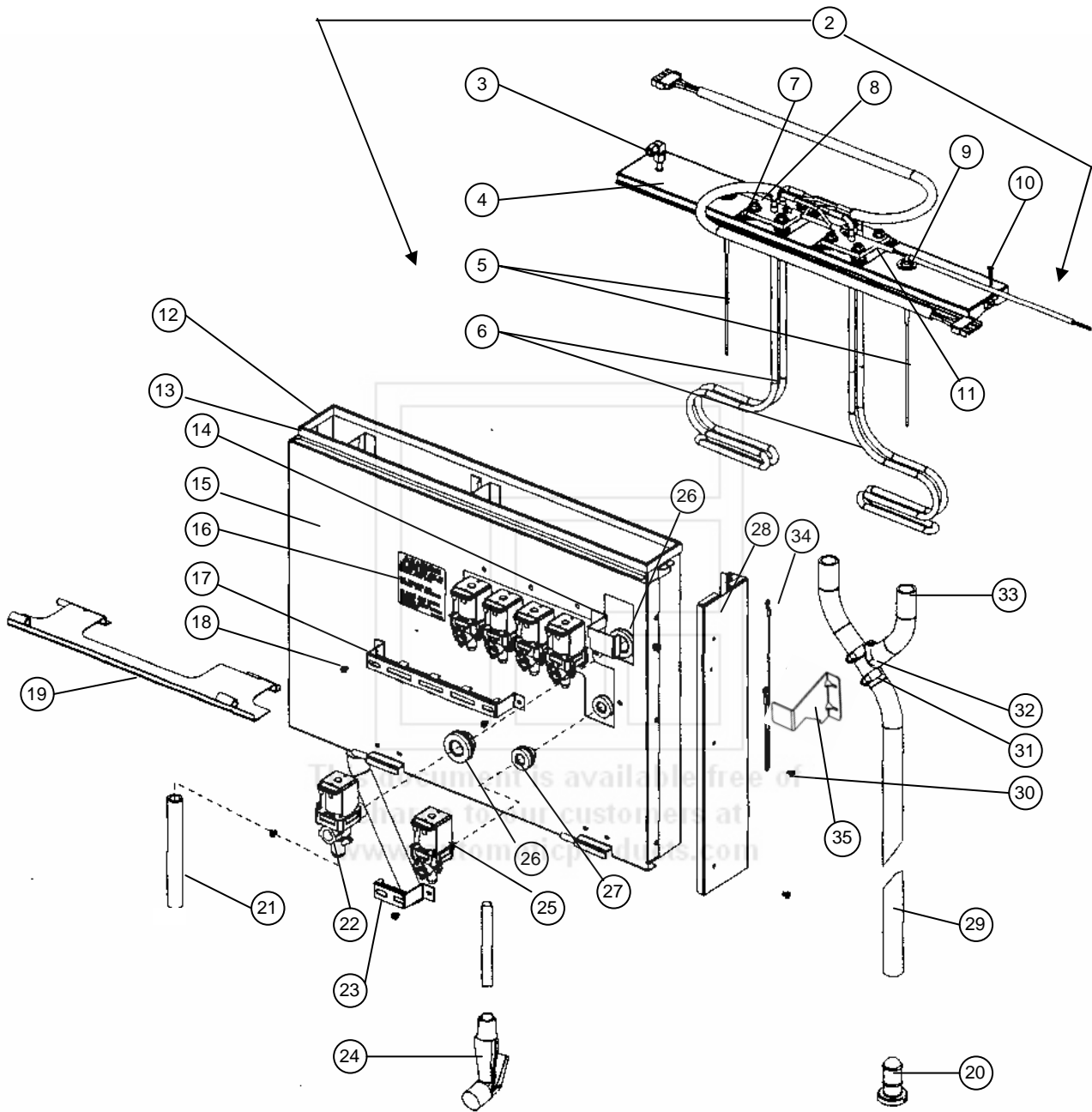


Item No.	Part No.	Description
1	26600121	WATER TANK COMP. w/ OUT VALVES
2	26000060	TANK WELD ASM, WATER
3	26600118	LID ASM, COMPLETE w/HTRS & PROBE
4	22001086	BRACKET, BREWER VALVE RET
5	22000171	BRACKET, COMMODITY VALVE RET
6	22000175	BRACKET, VALVE # 5
7	24000014	CABLE WIRE 18"
8	24400041	GROMMET, VALVE # 5
8a	24400042	PLUG, VALVE # 5
9	24400044	GROMMET, BREWER WTR VALVE
9a	24400067	PLUG, BREWER WTR VALVE
10	24400066	GROMMET, WTR TANK DRAIN
11	26000059	HINGE WELD ASM
12	26000057	JACKET WELD ASM
13	26000075	BRACKET, SIDE
14	27500052	BREWER WATER VALVE KIT
15	23300014-02	GASKET, HOT WATER TANK
16	26600192	HEATER, WATER TANK LHD
17	23500005	HEATER, WATER TANK RHD ("S")
18	27500053	COMMODITY WATER VALVE
19	24400070	INLET, WATER TANK NLA SEE NOTE
20	26000064	LID ASM WELD
21	22100016	INLET ELBOW NLA SEE NOTE
22	31323	BREW WATER HOSE, 1/2 ID x 3/4 OD x 1/8
23	33859	GROMMET, TEMP/WTR LEVEL PROBE
24	38277-8	LOCKING CLIP, NLA SEE NOTE
25	12518	NUT 1/4-20 KEP
26	21684	HEATER GASKET
27	25579	BREWER VALVE HOSE TIE
28	23500008	PROBE, WATER TANK LEVEL/TEMP
29	13959	WASHER SS, HEATER
30	21042	NUT 8-32 STOP SCP
31	17654	SCREW, 6/32 nd x1
32	38490	SCREW, 8/32 nd x1/4 PH
33	26600286-01	RINSE HOSE ASM 6' LONG
	14494-1	RINSE HOSE ASM 8' LONG W/FITTING
34	28521	WASHER 11/16 x 1/4 x 1/16 NY

Item No.	Part No.	Description
35	22100022	TUBE 3/8 OD X 1/4 NLA SEE NOTE
36	22100014	TUBE DRAIN HOSE HWT TANK
37	22100015	TUBE OVERFLOW HWT TANK
38	34792-2	CLAMP HOSE 1 1/4 IN ADJUSTABLE
39	26600123	THERMOSTAT ASM OVERTEMP
40	38663	SENSOR TEMPERATURE STEAM
41	38739	THERMOSTAT SAFETY 150 WIRED
42	34678	TUBE MOUNTING OVERTEMP THERM
43	34634-1	SPACER 1/4"
44	28521	WASHER 11/16X1/4X1/16
45	22100007	TEE 3/4 TUBE CONNECTOR
46	33553	PLUG DRAIN HOSE
47	08229	ADAPTER BR 1/4MPTX1/8FPT
48	22100006	ELBOW 1/4 MPT X 1/4 FPT BR
49	26700015	COMMODITY WATER VALVE
50	26700015-06	SOLENOID ASM 24V GS-56
51	26700015-01	ARMATURE & DIAPHRAGM
52	32911	DIAPHRAGM EATON VALVE
53	27787	SEAT DIAPHRAGM GS-56
54	27788	ADJUSTING SCREW VALVE
55	26700015-02	BODY COMMODITY VALVE
NS	14759	O'RING 1/2X5/8 PURPLE
56	32864	RING 'O' 7/16X9/16 RED SIL
57	27791	SCREW MTG VALVE 8/32 x .760 HH
58	27794	CLIP EATON VALVE
59	27792	SCREW LOCK-IN VAL #6 x .250
60	26700044	BREWER WATER VALVE
61	26700014-01	ARMATURE & DIAPHRAM 24V
62	26700014-03	DIAPHRAGM BREWER VALVE
63	26700014-05	SEAT DIAPHRAGM GS-96
64	26700044-02	BODY BREWER VALVE GS-96
65	26700014-06	SOLENOID ASM 24V GS-96
66	24760	OVER FLOW HOSE
67	27000026	TUBE SIL 3/4IDX1 OD SOLD BY IN" (47")
68	27000023	TUBE SIL 5/16IDX3/32 GREY
69	22000172	HTW TANK RETAINER BRACKET
NS	27500117	BREW VALVE KIT, INC # 9, 62 & 64
NS	26800017	HARNASS, WATER TANK VALVE

NOTE: ITEMS # 19, 21, 24 and #35 are no longer available use # 27500062

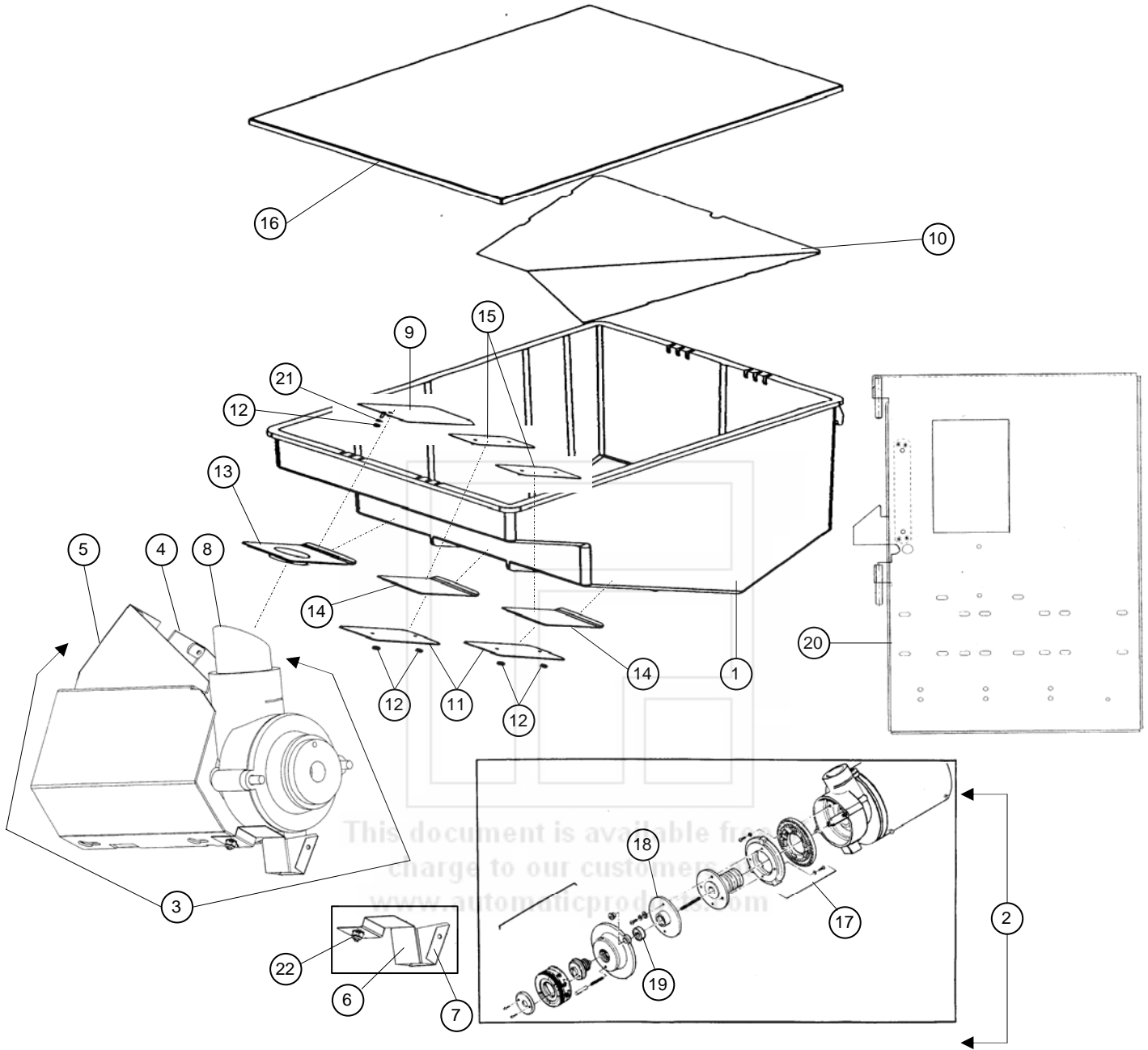
hot water tank assembly new style (after serial number 22301306015)



Hot water tank assembly new style (after serial number 22301306015)

Item No.	Part No.	Description
1	26600399	WATER TANK COMP. W/OUT VALVES
2	26600398	LID ASM COMP w/ HEATERS & PROBE
3	27500062	ELBOW, INLET KIT
4	26000241	LID HTW TANK
5	23500008	PROBE, WATER LEVEL/TEMP
6	23500005	HEATER HWT 1500W 120V
7	13959	WASHER SS
8	12518	NUT ¼-20
9	33859	GROMMET TEMP/PROBE
10	276-6R16	SCREW 6X1 PH
11	22262	GASKET HEATER
12	26000244	TANK ASM WLD HWT
13	23300014-02	GASKET HOT WATER TANK
14	22001086	BRACKET BREW VALVE
15	26000057	JACKET ASM WELD
16	33407	DECAL WARNING
17	22000171	BRACKET VALVE COMMODITY
18	38490	SCREW 8-32 x 1/4 PH
19	26000059	HINGE ASM WELD DOUBLE
20	33553	PLUG DRAIN HOSE
21	31323	BREWER WATER HOSE
22	26700014	BREWER WATER VALVE COMPLETE (for detail see pg. 502)
23	22000175	BRACKET VALVE #5
24	26600286-01	RINSE HOSE ASM 6' LONG
	14494-1	RINSE HOSE ASM 8' LONG WITH FITTINGS
25	26700015	COMMODITY VALVE COMPLETE (for detail see pg. #502)
26	24400044	GROMMET BREWER VALVE
26a	24400067	PLUG BREWER VALVE
27	24400041	GROMMET VALVE #5
27a	24400042	PLUG VALVE #5
28	26600075	BRACKET SIDE
29	33552	OVER FLOW HOSE 47 "
30	21042	NUT 8-32
31	24772	HOSE CLAMP
32	22100007	TEE CONNECTOR
33	33552-01	OVER FLOW HOSE 5"
34	24000014	CABLE WIRE
	26800017	HARNESS, WATER TANK VALVE
35	22000172	HTW TANK RETAINER BRACKET

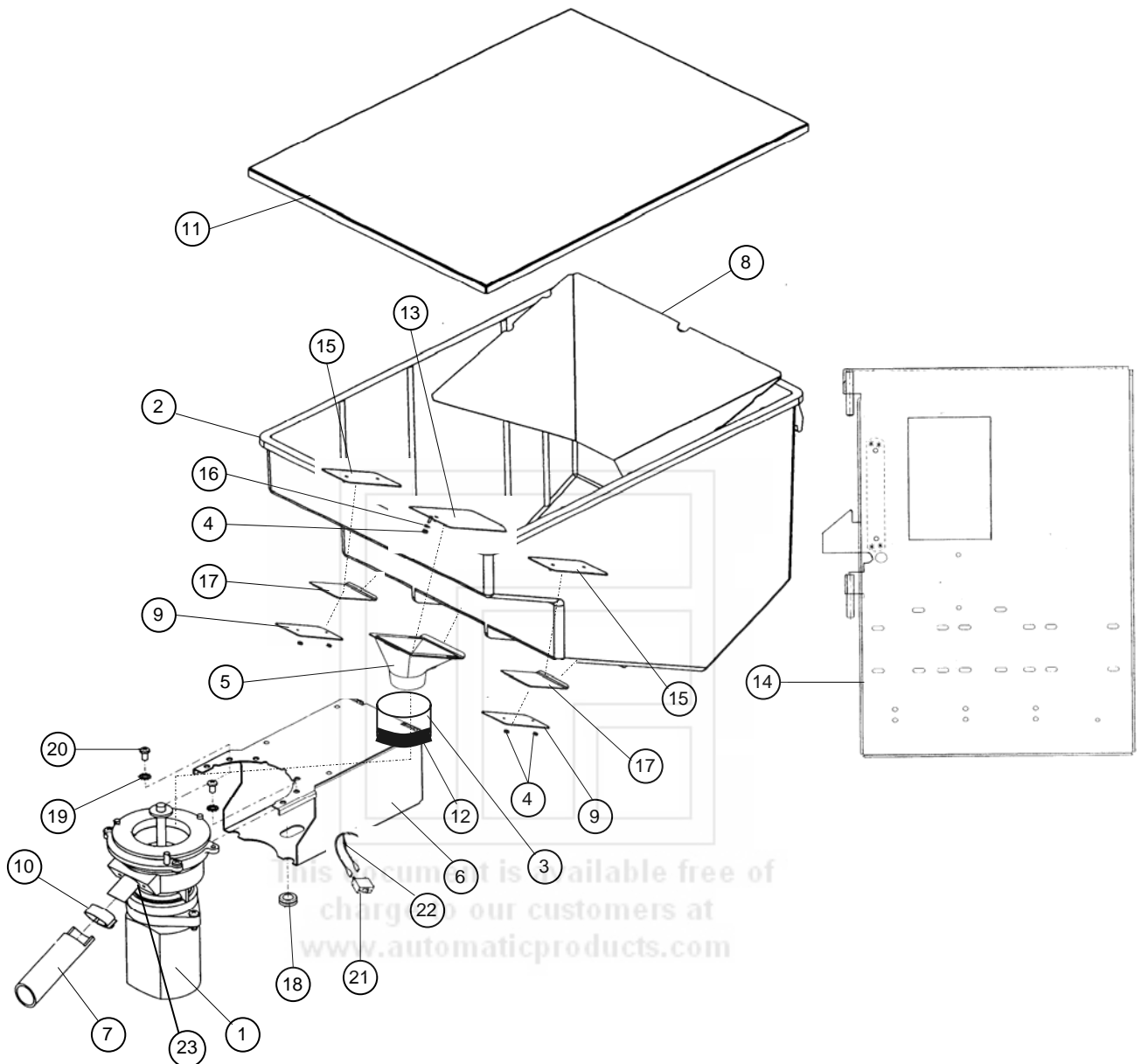
large grinder hopper assembly



Item No.	Part No.	Description
	26600049	COMPLETE HOPPER ASM G
	26600048	COMPLETE SWINGOUT BRKT ASM w/ LRG GRINDER
1	38455	HOPPER COF BEAN MOLDED
2	32846	GRINDER ASM WIRED
3	26600217	LRG GRINDER ASM w/ BRACKETS
4	26000124	BRKT ASM WLD RHD LRG GRINDER
5	26000125	BRKT ASM WLD LHD LRG GRINDER
6	22000269	CHUTE LRG GRINDER
7	22000270	COVER CHUTE LRG GRINDER
8	24400100	SLEEVE LRG GRINDER
9	26000189	SHUT OFF PLATE LRG GRINDER

Item No.	Part No.	Description
10	22000359	PLATE FILLER HPR LRG GRINDER
11	22000378	PLATE, BACKING HPR w/ HOLES
12	23100035	NUT, 4-40 LOCK NYLON
13	38458-01	HOPPER INSERT, LRG GRINDER
14	38458	HOPPER INSERT PLUG
15	38501	HOPPER PLUG PLATE w/ STUDS
16	38374	HOPPER LID
17	31187	CUTTING PLATES, INNER & OUTER
18	31188	COUPLING
19	31473	BEARING, THRUST
20	38378	BRACKET ASM WLD SWING-OUT
21	09302	WASHER FLAT #4 SCP
22	21042	NUT 8-32 STOP SCP

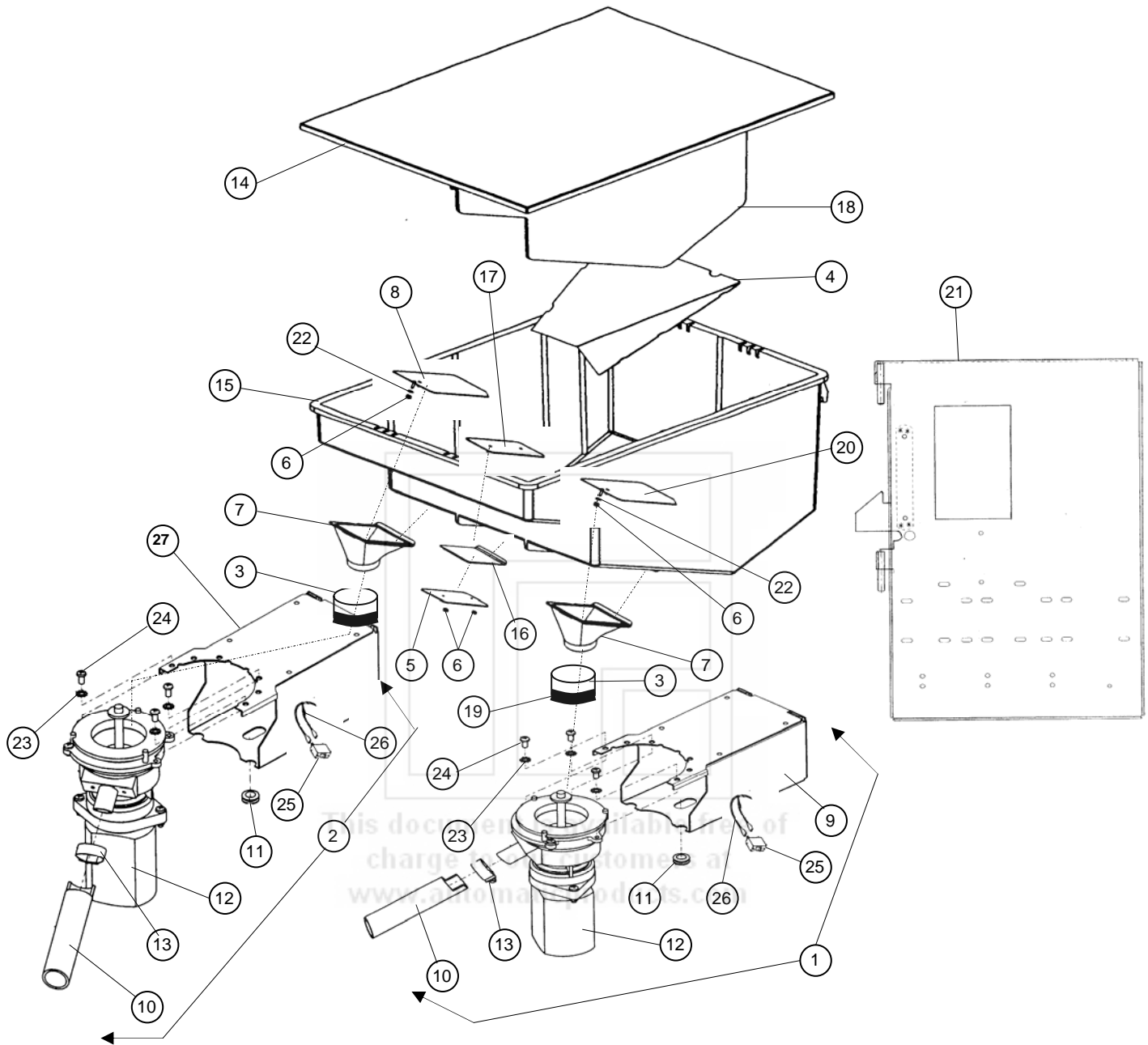
single mini grinder hopper assembly



Item No.	Part No.	Description
	26600067	COMPLETE HOPPER ASM SMG
	26600066	COMPLETE SWING-OUT SMG
	26600087	GRINDER & BRKT ASM CTR MINI
1	33544	MINI GRINDER WIRED
2	38455	HOPPER COF BEAN MOLDED
3	24400139	SLEEVE MINI GRINDER TALL
4	23100035	NUT 4-40 LOCK NYLON
5	24400028	INSERT HPR MINI GRINDER TALL
6	26000299	BRKT ASM WELD MINI GRINDER
7	24400228	TUBE CHUTE MINI GRINDER SHORT
8	22000360	PLATE FILLER HPR SMG
9	22000378	PLATE, BACKING HPR W/ HOLES

Item No.	Part No.	Description
10	34792-1	CLAMP HOSE
11	38374	HOPPER LID
12	36649	SEAL, MINI GRINDER
13	38470	INTERNAL SHUT OFF PLATE, BEAN
14	38378	BRACKET WELD SWING-OUT
15	38501	HOPPER PLUG PLATE w/ STUDS
16	09302	WASHER FLAT #4 SCP
17	38458	INSERT HOPPER PLUG
18	03593	GROMMET 3/8X1/2
19	37840	WASHER LOCK #10 EX TOOTH BRNZ
20	23100077	M5x10 METRIC SCREW
21	32183-4	BREAKER CIRCUIT
22	26800030	HARNESS MINI-GRINDER BREAKER
23	32183-33	MINI GRINDER NOZEL PLATE (NOT SHOWN)

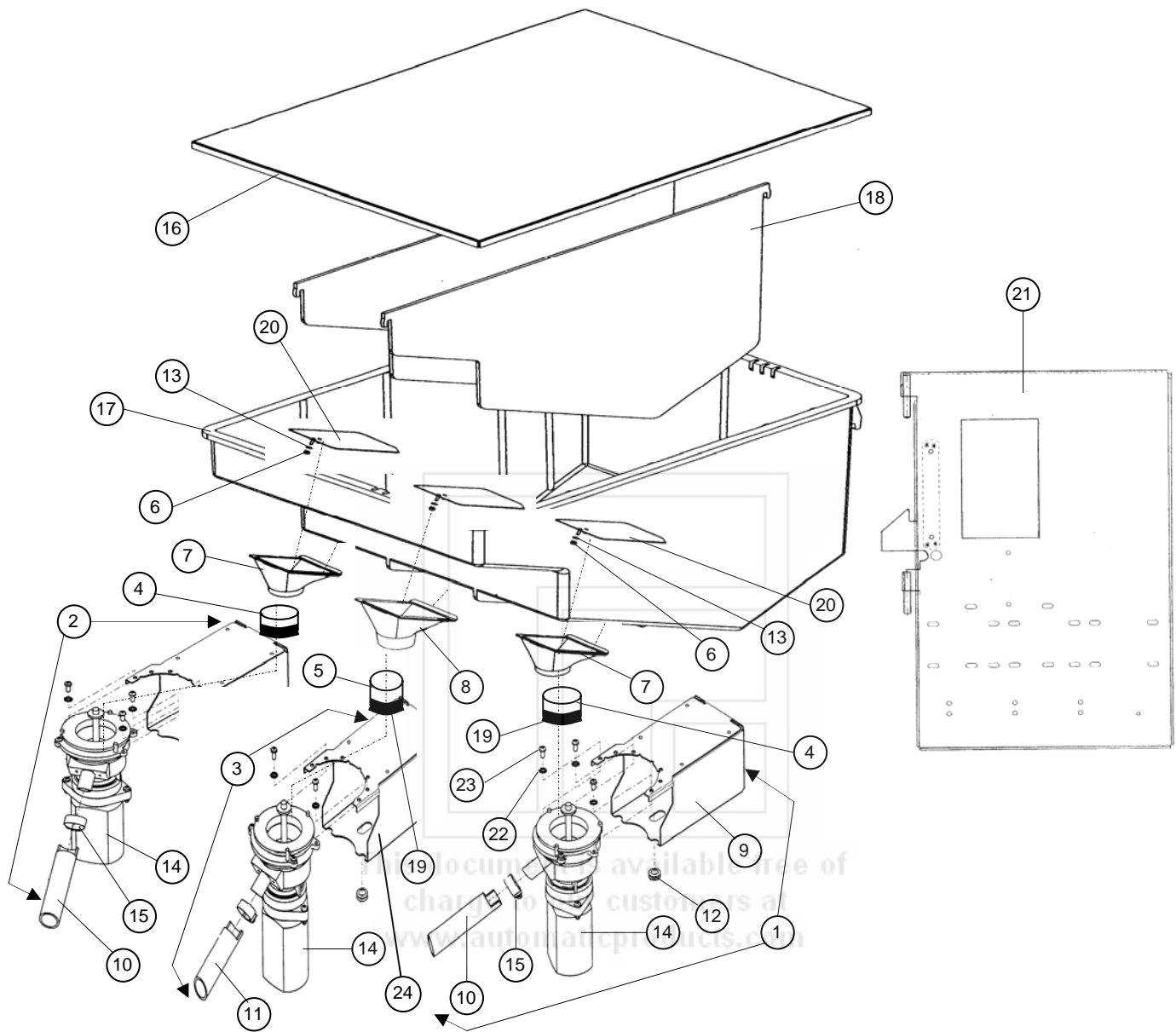
dual mini grinder hopper assembly



Item No.	Part No.	Description
	26600070	COMPLETE HOPPER ASM DMG
	26600069	COMPLETE SWING-OUT DMG
1	26600086	GRINDER & BRKT ASM RHD MINI
2	26600085	GRINDER & BRKT ASM LHD MINI
3	24400139-01	SLEEVE MINI GRINDER SHORT
4	22000365	PLATE FILLERHPR LRG GRINDER
5	22000378	PLATE, BACKING HPR w/ HOLES
6	23100035	NUT 4-40 LOCK NYLON
7	24400028-01	INSERT HPR MINI GRINDER SHORT
8	26000189	SHUT OFF PLATE, GRINDER w/ FILLER
9	26000260	BRKT ASM WELD MINI GRINDER
10	24400229	TUBE CHUTE MINI GRINDER LONG
11	03593	GROMMET 3/8 x 1/2
12	33544	MINI GRINDER WIRED

Item No.	Part No.	Description
13	34792-1	CLAMP HOSE
14	38374	HOPPER LID
15	38455	HOPPER COF BEAN MOLDED
16	38458	HOPPER INSERT PLUG
17	38501	HOPPER PLUG PLATE w/ STUDS
18	38460	HOPPER DIVIDER
19	36649	SEAL, MINI GRINDER
20	38470	SHUT OFF PLATE, BEAN
21	38378	BRACKET WELD SWING-OUT
22	09302	WASHER FLAT #4 SCP
23	37840	WASHER LOCK #10 EX TOOTH BRNZ
24	23100077	M5x10 METRIC SCREW
25	32183-4	BREAKER CIRCUIT
26	26800030	HARNESS MINI-GRINDER BREAKER
27	26000260	BRKT ASM WELD MINI GRINDER

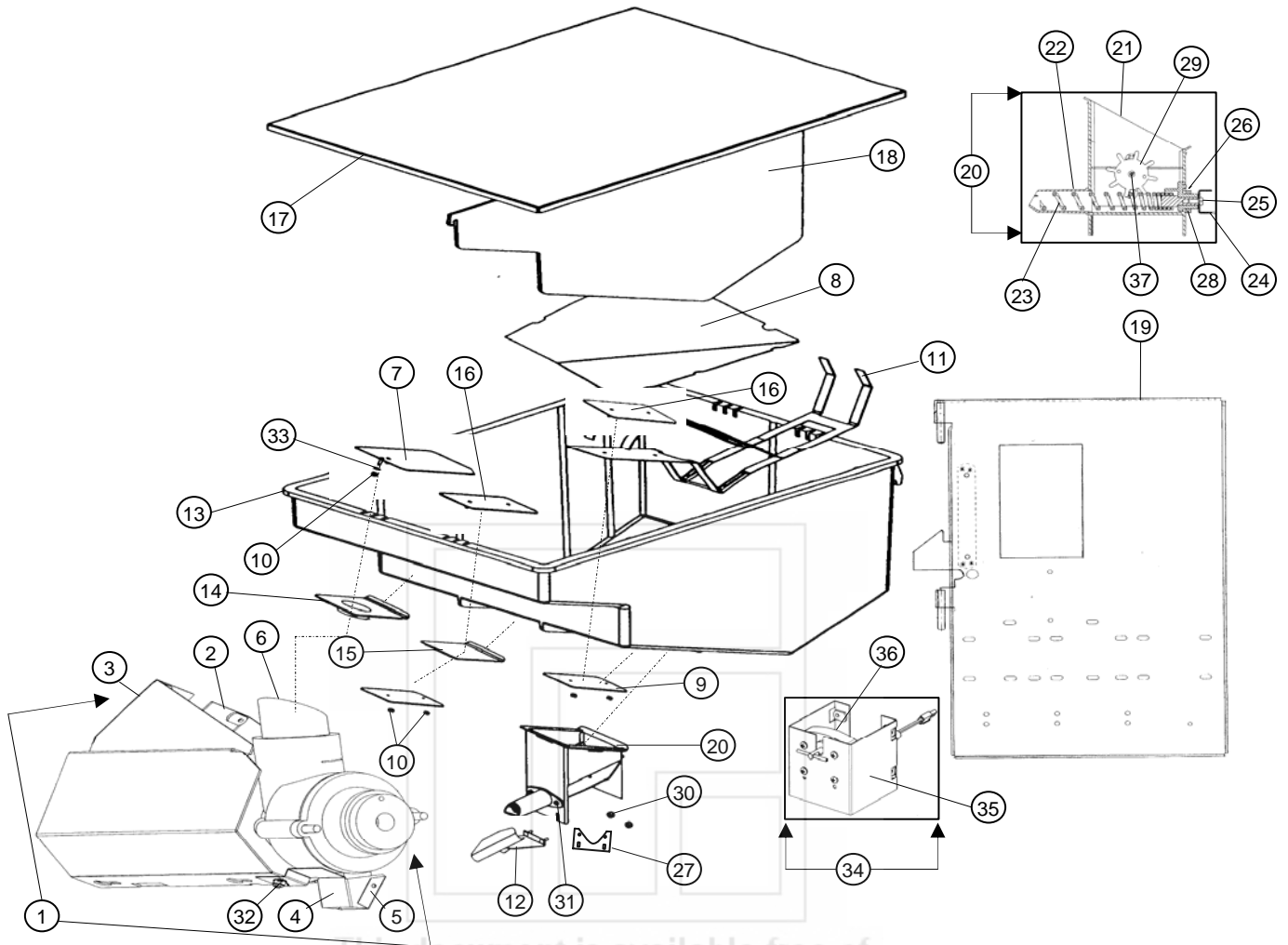
triple mini grinder hopper assembly



Item No.	Part No.	Description
	26600073	COMPLETE HOPPER ASM TMG
	26600071	COMPLETE SWING-OUT TMG
1	26600086	GRINDER & BRKT ASM RHD MINI
2	26600085	GRINDER & BRKT ASM LHD MINI
3	26600087	GRINDER & BRKT ASM CTR MINI
4	24400139-01	SLEEVE MINI GRINDER SHORT
5	24400139	SLEEVE MINI GRINDER TALL
6	23100035	NUT 4-40 LOCK NYLON
7	24400028-01	INSERT HPR MINI GRINDER SHORT
8	24400028	INSERT HPR MINI GRINDER TALL
9	26000260	BRKT ASM WELD MINI GRINDER
10	24400229	TUBE CHUTE MINI GRINDER LONG

Item No.	Part No.	Description
11	24400228	TUBE CHUTE MINI GRINDER SHORT
12	03593	GROMMET 3/8 x 1/2
13	09302	WASHER FLAT #4 SCP
14	33544	MINI GRINDER WIRED
15	34792-1	CLAMP HOSE
16	38374	HOPPER LID
17	38455	HOPPER COF BEAN MOLDED
18	38460	HOPPER DIVIDER
19	36649	SEAL, MINI GRINDER
20	38470	INTERNAL SHUT OFF PLATE, BEAN
21	38378	BRACKET WELD SWING-OUT
22	37840	WASHER LOCK #10 EX TOOTH BRNZ
23	23100077	M5x10 METRIC SCREW
24	26000299	CENTER GRINDER BRACKET WELD

(GLG) large grinder / loose ground hopper assembly

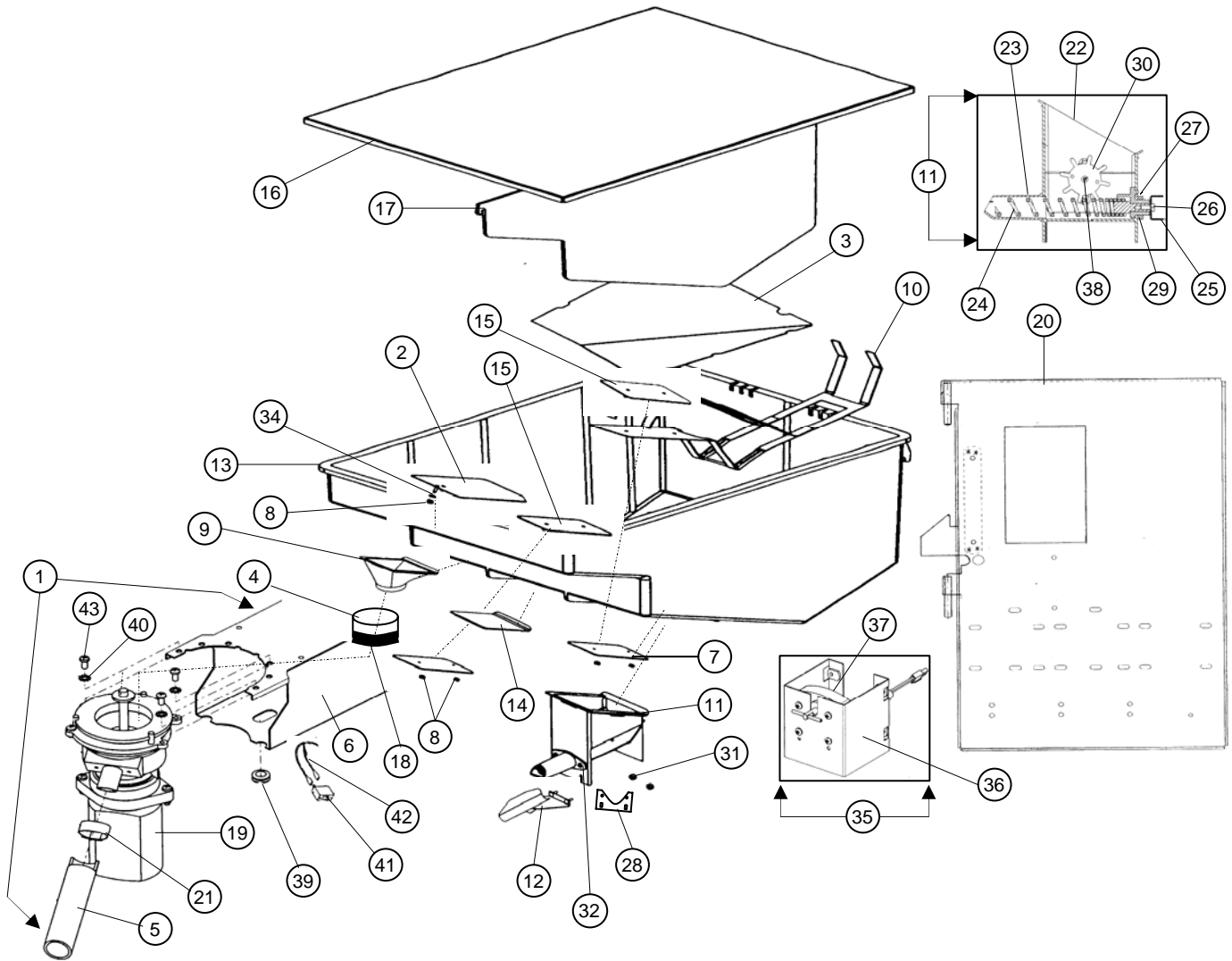


This document is available free of charge to our customers at www.automaticproducts.com

Item No.	Part No.	Description
	26600055	COMPLETE HOPPER ASM G/LG
	26600053	COMPLETE SWINGOUT G/LG
1	26600217	LRG GRINDER ASM w/ BRACKETS
2	26000124	BRKT ASM WLD RHD LRG GRINDER
3	26000125	BRKT ASM WLD LHD LRG GRINDER
4	22000269	CHUTE LRG GRINDER
5	22000270	COVER CHUTE LRG GRINDER
6	24400100	SLEEVE LRG GRINDER
7	26000189	SHUT OFF PLATE, GRINDER w/FILLER
8	22000365	PLATE FILLER HPR LRG GRINDER
9	22000378	PLATE, BACKING HPR w/ HOLES
10	23100035	NUT, 4-40 LOCK NYLON
11	26000258	AGITATOR, SINGLE HOPPER REQUIRES ITEM # 16 & 9
12	26000072	CHUTE ASM RHD
13	38455	HOPPER COF BEAN MOLDED
14	38458-01	HOPPER INSERT, LRG GRINDER
15	38458	HOPPER INSERT PLUG
16	38501	HOPPER PLUG PLATE w/ STUDS
17	38374	HOPPER LID

Item No.	Part No.	Description
18	38460	HOPPER DIVIDER
19	38378	BRACKET WELD SWING-OUT
20	26600078	CANISTER ASM INSERT LG COMP
21	38459	HOPPER CANISTER INSERT
22	24400036	SPOUT DECAF CAN
23	26000079	AUGER ASM DECAF
24	25969	DRIVER AUGER
25	25970	SCREW AUGER DRIVE
26	28864	BEARING REAR CAN
27	22000194	BRACKET CANISTER STIFFENER
28	14190	NUT 5/8-11 PAL
29	26600409	WHEEL LG COFFEE
30	21042	NUT NYLOCK 8/32 nd
31	12503	SCREW 6-32X3/8 PH PL
32	11749	NUT 8/32 nd KEP EXT
33	09302	WASHER FLAT #4 SCP
34	26600079	MOTOR ASM LG CANISTER
35	26000022	BRCKT ASM WLD AUGR MTR MTG
36	26600083	MOTOR ASM 180 RPM
37	23100070	ROD WHEEL LOOSE GROUND

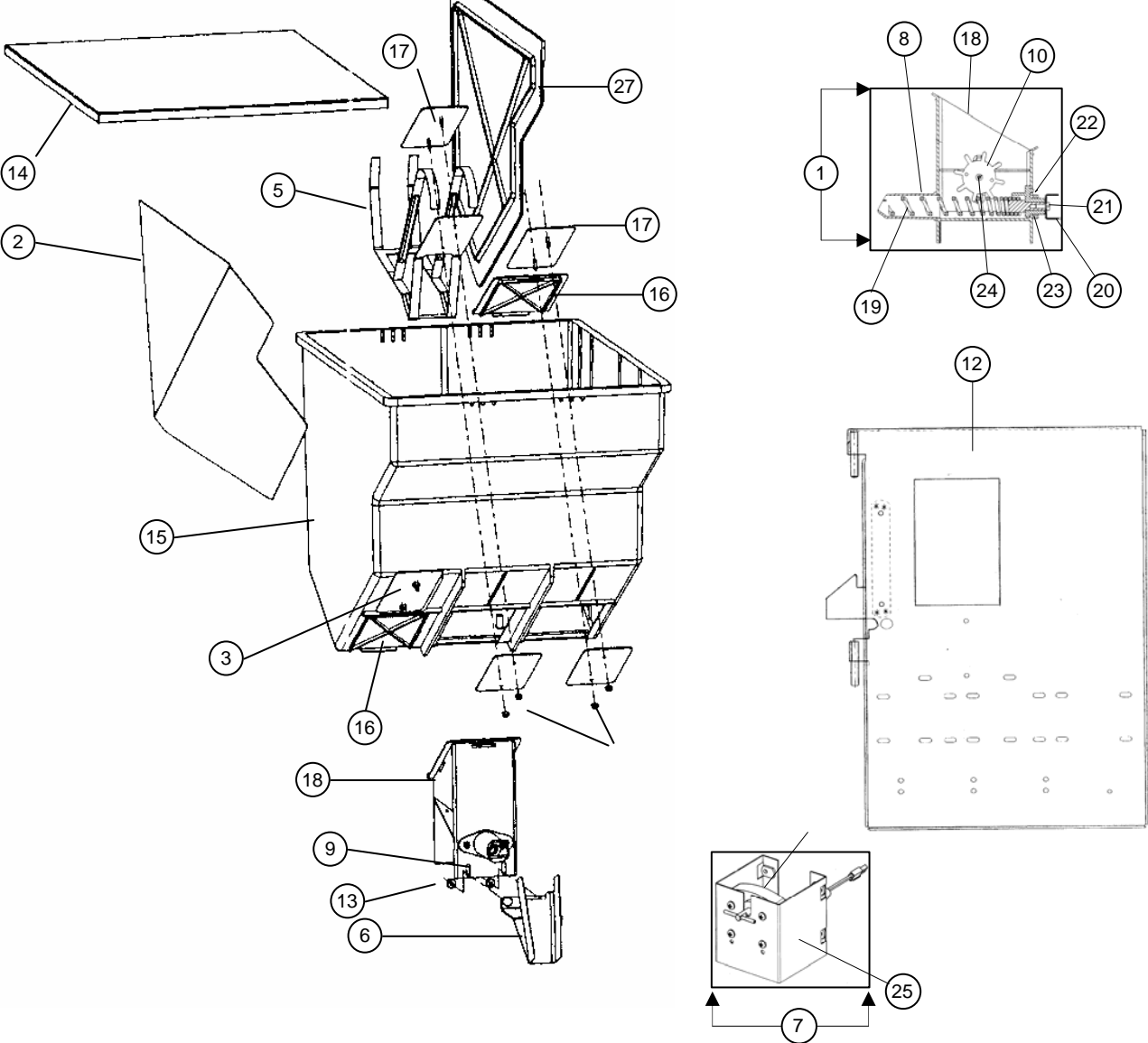
(GLG) mini-grinder / loose ground hopper assembly



Item No.	Part No.	Description
	26600058	COMPLETE HOPPER ASM MG/LG
	26600056	COMPLETE SWINGOUT MG/LG
1	26600085	GRINDER & BRKT ASM LHD MINI
2	26000189	SHUT OFF PLATE, GRINDER w/FILLER
3	22000365	PLATE FILLER HPR LRG GRINDER
4	24400139-01	SLEEVE MINI GRINDER SHORT
5	24400229	TUBE CHUTE MINI GRINDER LONG
6	26000260	BRKT ASM WELD MINI GRINDER
7	22000378	PLATE, BACKING HPR w/ HOLES
8	23100035	NUT, 4-40 LOCK NYLON
9	24400028-01	INSERT HPR MINI GRINDER SHORT
10	26000258	AGITATOR, SINGLE HOPPER
11	26600078	INSERT ASM LG CANISTER
12	26000072	CHUTE ASM RHD
13	38455	HOPPER COF BEAN MOLDED
14	38458	HOPPER INSERT PLUG
15	38501	HOPPER PLUG PLATE w/ STUDS
16	38374	HOPPER LID
17	38460	HOPPER DIVIDER
18	36649	SEAL, MINI GRINDER
19	33544	MINI GRINDER WIRED
20	38378	BRACKET WELD SWING-OUT

Item No.	Part No.	Description
21	34792-1	CLAMP HOSE
22	38459	INSERT HOPPER LG
23	24400036	SPOUT DECAF CAN
24	26000079	AUGER & SHAFT ASM DECAF
25	25969	DRIVER AUGER
26	25970	SCREW AUGER DRIVE
27	28864	BEARING REAR CAN
28	22000194	BRACKET CANISTER STIFFENER
29	14190	NUT 5/8-11 PAL
30	26600409	WHEEL LG COFFEE
31	21042	NUT NYLOCK 8/32 nd
32	12503	SCREW 6-32X3/8 PH PL
33	21042	NUT 8/32 nd STOP SCP
34	09302	WASHER FLAT #4 SCP
35	26600079	MOTOR ASM LG CANISTER
36	26000022	BRCKT ASM WLD AUGR MTR MTG
37	26600083	MOTOR ASM 180 RPM
38	23100070	ROD WHEEL LOOSE GROUND
39	03593	GROMMET 3/8X1/2
40	37840	WASHER LOCK #10 EX TOOTH BRNZ
41	32183-4	BREAKER CIRCUIT MIKKO
42	26800030	HARNESS SWINGOUT-MINI GRINDER
43	23100077	M5x10 METRIC SCREW

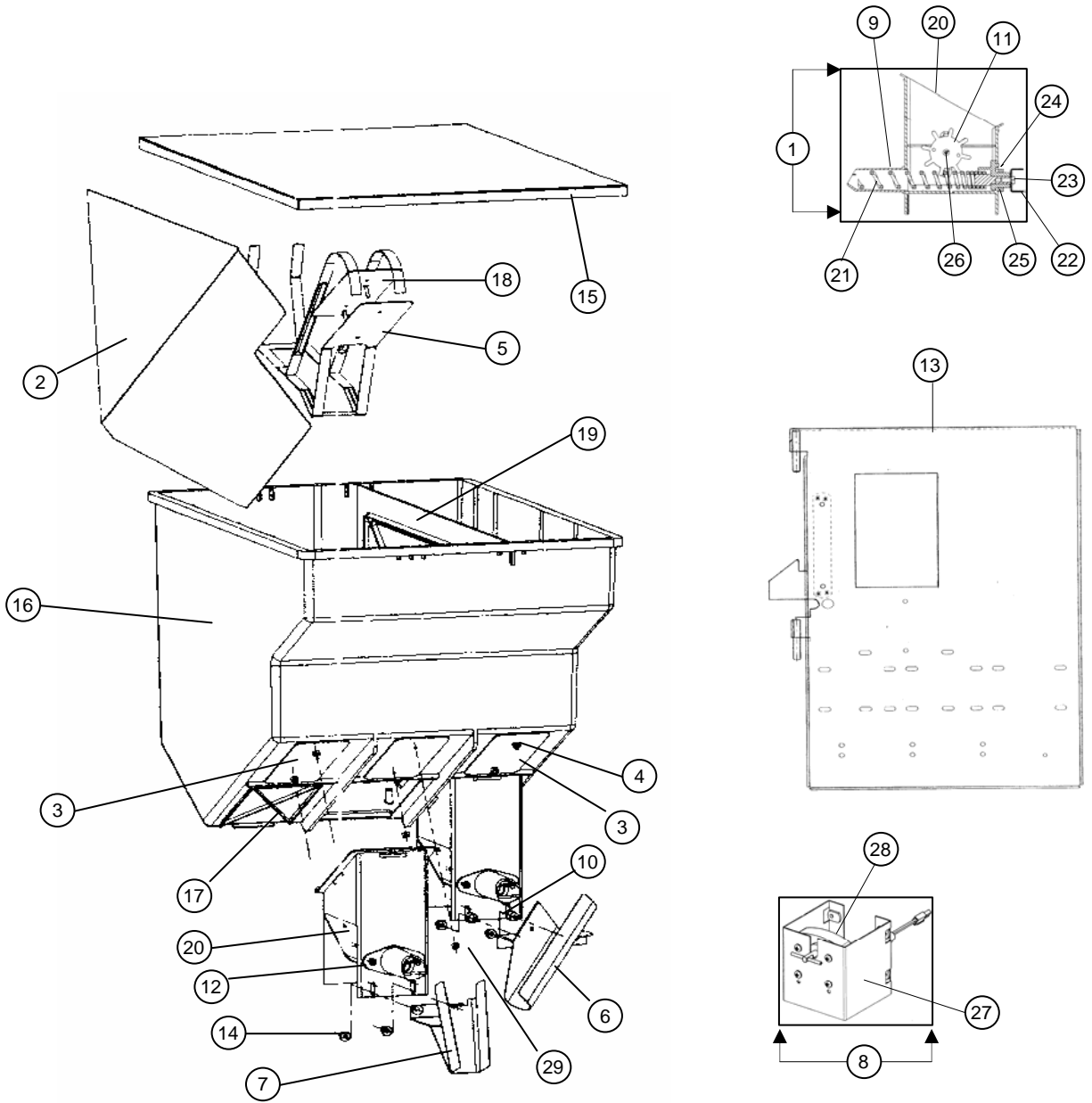
loose ground hopper assembly



Item No.	Part No.	Description
	26600040	COMPLETE HOPPER ASM LG
	26600039	COMPLETE SWINGOUT LG
1	26600078	CANISTER ASM INSERT LG, COMP.
2	22001275	PLATE FILLER HPR LG
3	22000378	PLATE, BACKING HPR w/ HOLES
4	23100035	4-40 NYLOCK NUT
5	26000258	AGITATOR ASM LG
6	26000160	CHUTE ASM MIDDLE
7	26600079	MOTOR ASM CANISTER
8	24400036	CANISTER SPOUT
9	22000194	CANISTER SUPPORT PLATE
10	26600409	WHEEL LG COFFEE
11	12503	SCREW 6-32 nd x 3/8 PH (SPOUT)
12	38378	BRACKET WLD SWING-OUT

Item No.	Part No.	Description
13	21042	NUT 8/32 nd NYLOCK (CHUTE)
14	38374	HOPPER LID
15	38455	HOPPER COF BEAN MOLDED
16	38458	HOPPER INSERT PLUG
17	38501	HOPPER PLUG PLATE w/ STUDS
18	38459	INSERT HOPPER LG
19	26000079	AUGER & SHAFT ASM DECAF
20	25969	DRIVER AUGER
21	25970	SCREW AUGER DRIVE
22	28864	BEARING REAR CAN
23	14190	NUT 5/8-11 PAL
24	23100070	ROD WHEEL LOOSE GROUND
25	26000022	BRCKT ASM WLD AUGR MTR MTG
26	26600083	MOTOR ASM 180 RPM
27	38460	DIVIDER HOPPER

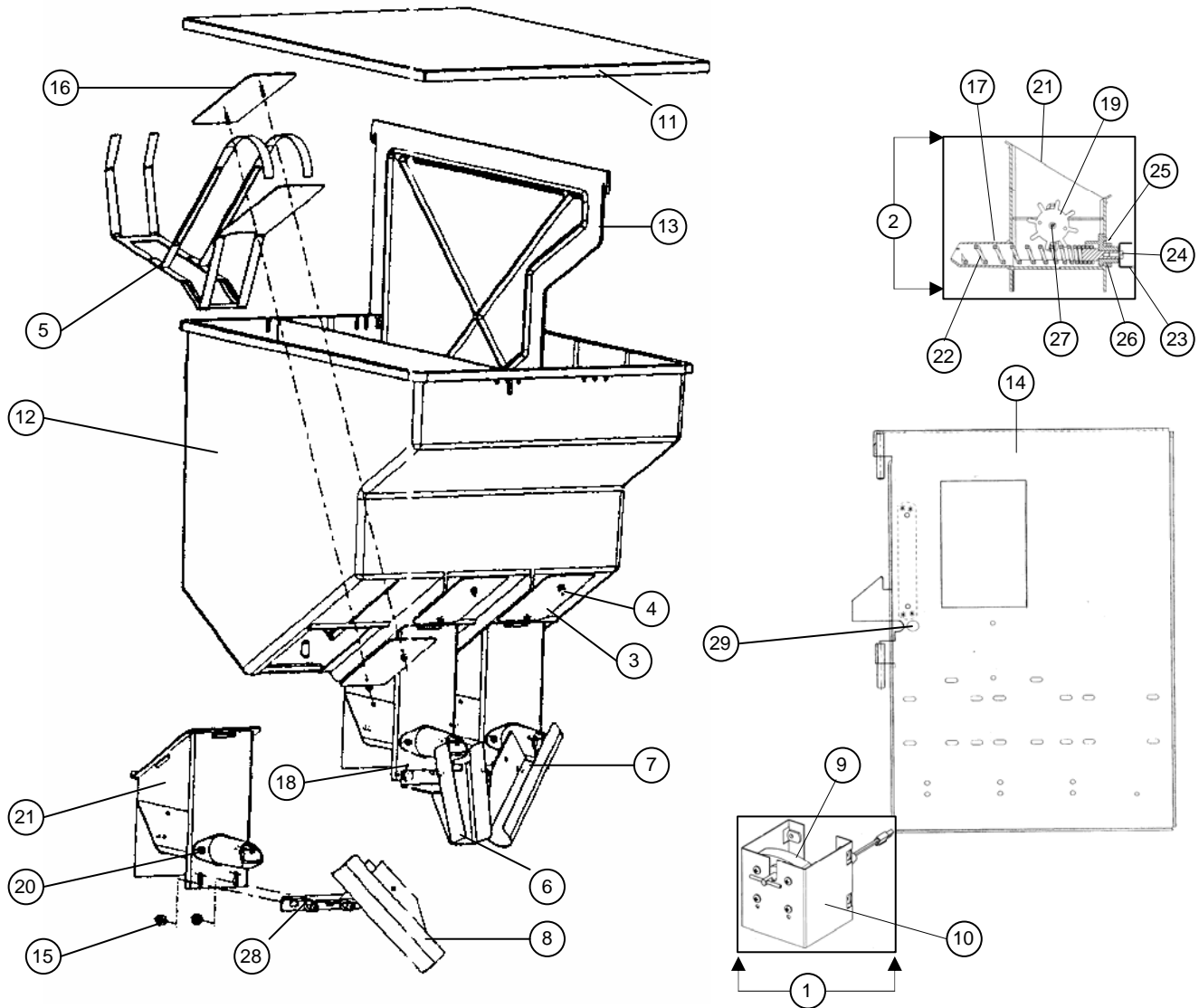
dual loose ground hopper assembly



Item No.	Part No.	Description
	26600043	COMPLETE HOPPER ASM DLG
	26600042	COMPLETE SWINGOUT DLG
1	26600078	CANISTER ASM INSERT LG, COMP.
2	22001275	PLATE FILLER HPR DLG
3	22000378	PLATE, BACKING HPR w/ HOLES
4	23100035	4-40 NYLOCK NUT
5	26000258	AGITATOR ASM SINGLE HPR DLG
6	26000410-02	CHUTE ASM LG RHD
7	26000160	CHUTE ASM LG MIDDLE
8	26600079	MOTOR ASM CANISTER
9	24400036	CANISTER SPOUT
10	22000194	CANISTER SUPPORT PLATE
11	26600409	WHEEL LG COFFEE
12	12503	SCREW 6-32 ND X 3/8 PH (SPOUT)
13	38378	BRACKET WLD SWING-OUT

Item No.	Part No.	Description
14	21042	NUT 8/32 ND NYLOCK (CHUTE)
15	38374	HOPPER LID
16	38455	HOPPER COF BEAN MOLDED
17	38458	HOPPER INSERT PLUG
18	38501	HOPPER PLUG PLATE w/ STUDS
19	38460	HOPPER DIVIDER
20	38459	INSERT HOPPER LG
21	26000079	AUGER & SHAFT ASM DECAF
22	25969	DRIVER AUGER
23	25970	SCREW AUGER DRIVE
24	28864	BEARING REAR CAN
25	14190	NUT 5/8-11 PAL
26	23100070	ROD WHEEL LOOSE GROUND
27	26000022	BRCKT ASM WLD AUGR MTR MTG
28	26600083	MOTOR ASM 180 RPM
29	116-8R8	8-32 X 1/2 PH PAN

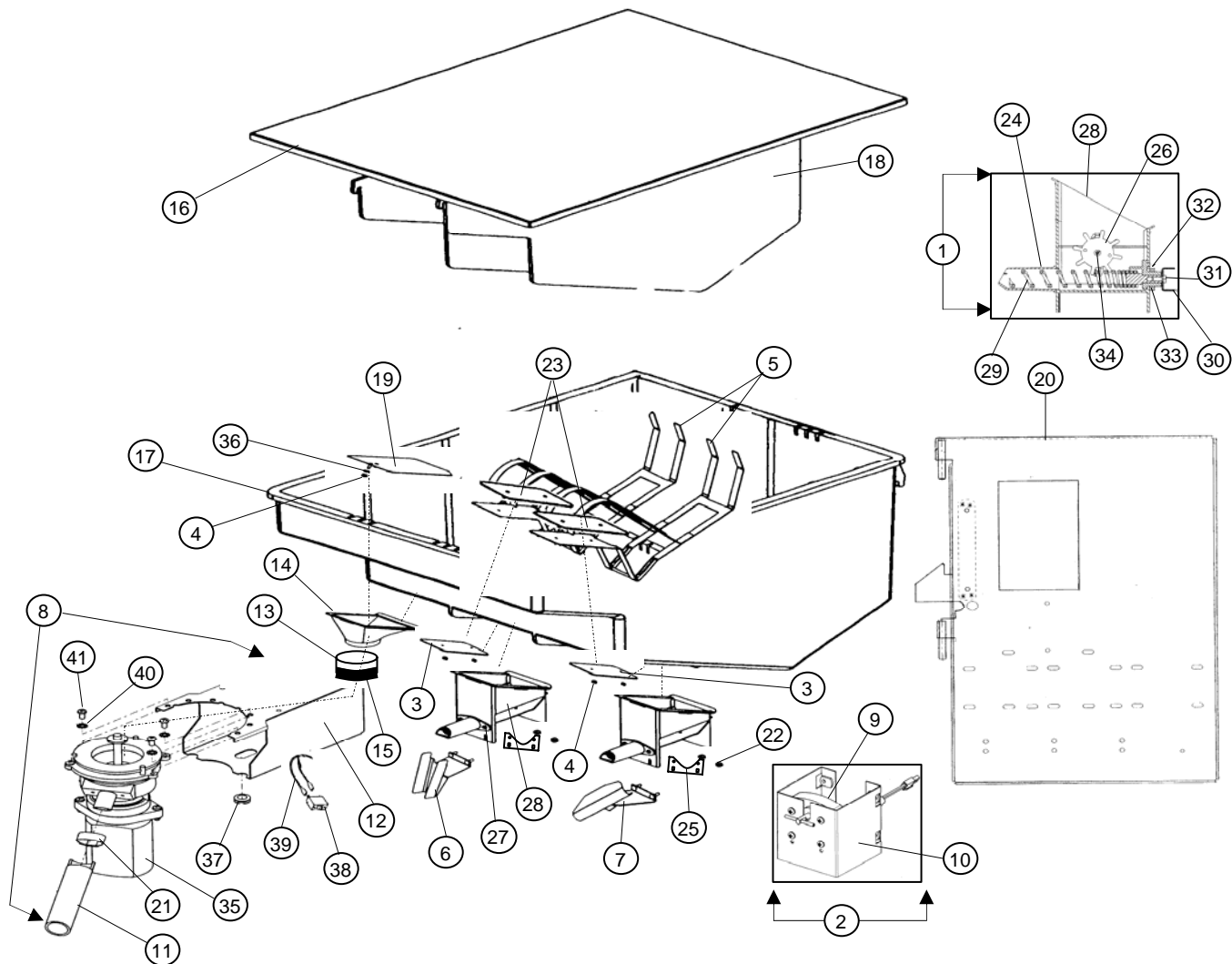
triple loose ground hopper assembly



Item No.	Part No.	Description
	26600046	COMPLETE HOPPER ASM TLG
	26600045	COMPLETE SWING-OUT BRKT TLG
1	26600079	MOTOR ASM CANISTER
2	26600078	CANISTER ASM INSERT LG, COMP.
3	22000378	PLATE, BACKING HPR w/ HOLES
4	23100035	4-40 NYLOC NUT
5	26000258	AGITATOR ASM SINGLE HPR
6	26000160	CHUTE ASM MIDDLE
7	26000410-01	CHUTE ASM LG RHD
8	26000410-02	CHUTE ASM LG LHD
9	26600083	MOTOR LG 180 RPM
10	26000022	BRKT MOTOR, WELD
11	38374	HOPPER LID
12	38455	HOPPER COF BEAN MOLDED
13	38460	HOPPER DIVIDER

Item No.	Part No.	Description
14	38378	BRACKET WELD SWING-OUT
15	21042	NUT 8/32 nd NYLOC
16	38501	HOPPER PLUG PLATE w/ STUDS
17	24400036	CANISTER SPOUT
18	22000194	CANISTER SUPPORT PLATE
19	26600409	WHEEL LG COFFEE
20	12503	SCREW 6-32 nd x 3/8 PH (SPOUT)
21	38459	INSERT HOPPER LG
22	26000079	AUGER & SHAFT ASM DECAF
23	25969	DRIVER AUGER
24	25970	SCREW AUGER DRIVE
25	28864	BEARING REAR CAN
26	14190	NUT 5/8-11 PAL
27	23100070	ROD WHEEL LOOSE GROUND
28	116-8R8	8-32 X 1/2 PH PAN
29	23100110	BUMPER RUBBER

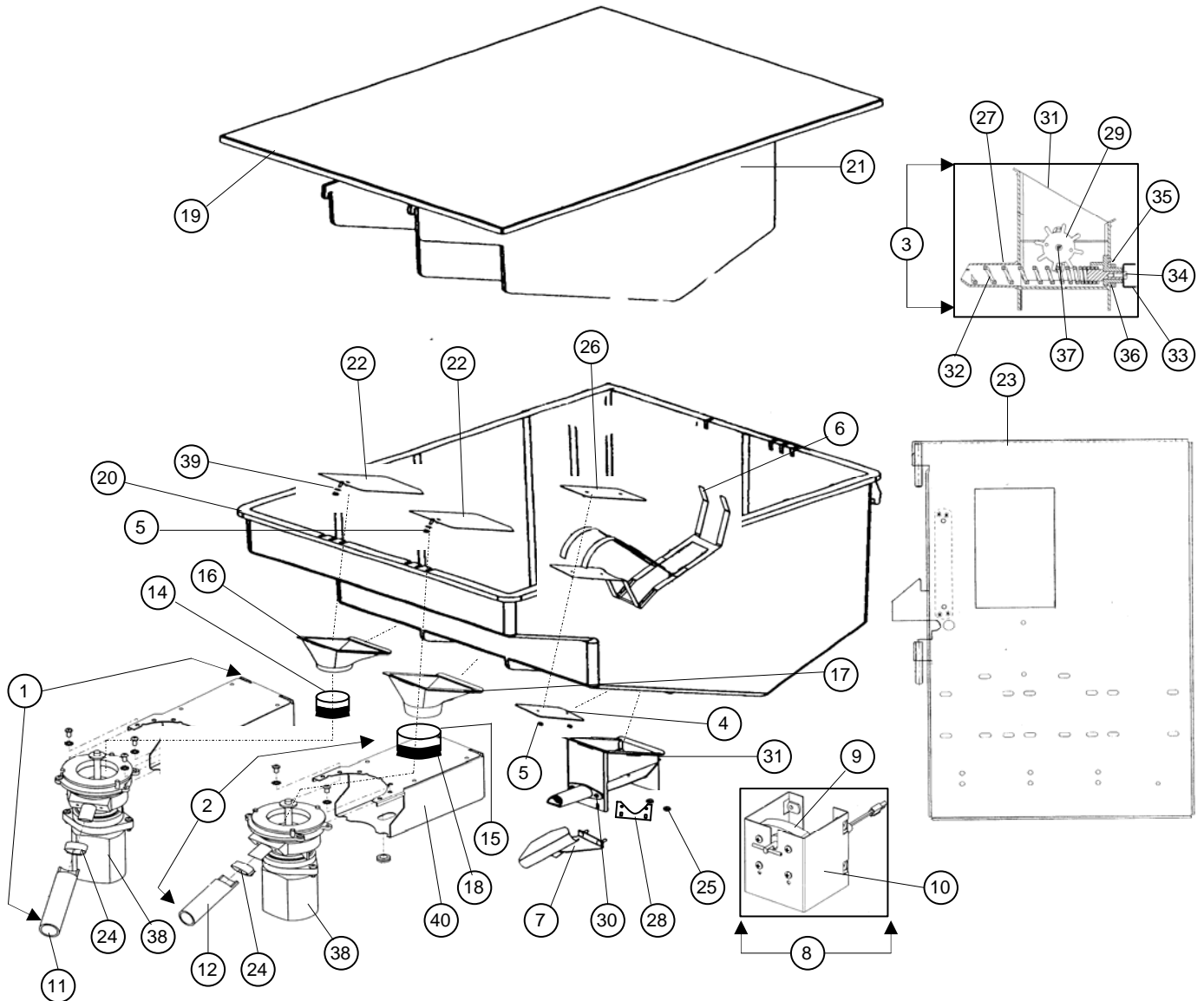
mini "g" dual - loose ground hopper assembly parts



Item No.	Part No.	Description
	26600063	SWING-OUT COMP MG-DLG
	26600064	COMPLETE HOPPER ASM MG-DLG
1	26600078	CANISTER ASM INSERT LG, COMP.
2	26600079	MOTOR ASM CANISTER
3	22000378	PLATE, BACKING HPR w/ HOLES
4	23100035	4-40 NYLOC NUT
5	26000258	AGITATOR ASM SINGLE HPR
6	26000160	CHUTE ASM MIDDLE
7	26000072	CHUTE ASM LG RHD
8	26600085	GRINDER & BRKT ASM LHD MINI
9	26600083	MOTOR LG 180 RPM
10	26000022	BRKT MOTOR, WELD
11	24400229	TUBE CHUTE MINI GRINDER LONG
12	26000260	BRKT ASM WELD MINI GRINDER
13	24400139	SLEEVE MINI GRINDER SHORT
14	24400028-01	INSERT HPR MINI GRINDER SHORT
15	36649	SEAL, MINI GRINDER
16	38374	HOPPER LID
17	38455	HOPPER COF BEAN MOLDED
18	38460	HOPPER DIVIDER
19	38470	SHUT OFF PLATE, BEAN
20	38378	BRACKET WELD SWING-OUT

Item No.	Part No.	Description
21	34792-1	CLAMP HOSE
22	21042	NUT 8/32 nd NYLOC
23	38501	HOPPER PLUG PLATE w/ STUDS
24	24400036	CANISTER SPOUT
25	22000194	CANISTER SUPPORT PLATE
26	26600409	WHEEL LG COFFEE
27	12503	SCREW 6-32 nd x 3/8 PH (SPOUT)
28	38459	INSERT HOPPER LG
29	26000079	AUGER & SHAFT ASM DECAF
30	25969	DRIVER AUGER
31	25970	SCREW AUGER DRIVE
32	28864	BEARING REAR CAN
33	14190	NUT 5/8-11 PAL
34	23100070	ROD WHEEL LOOSE GROUND
35	33544	MINI GRINDER WIRED
36	09302	WASHER FLAT #4 SCP
37	03593	GROMMET 3/8X1/2
38	32183-4	BREAKER CIRCUIT MIKKO
39	26800030	HARNES SWINGOUT-MINI GRINDER
40	37840	WASHER LOCK #10 EX TOOTH BRNZ
41	23100077	M5x10 METRIC SCREW

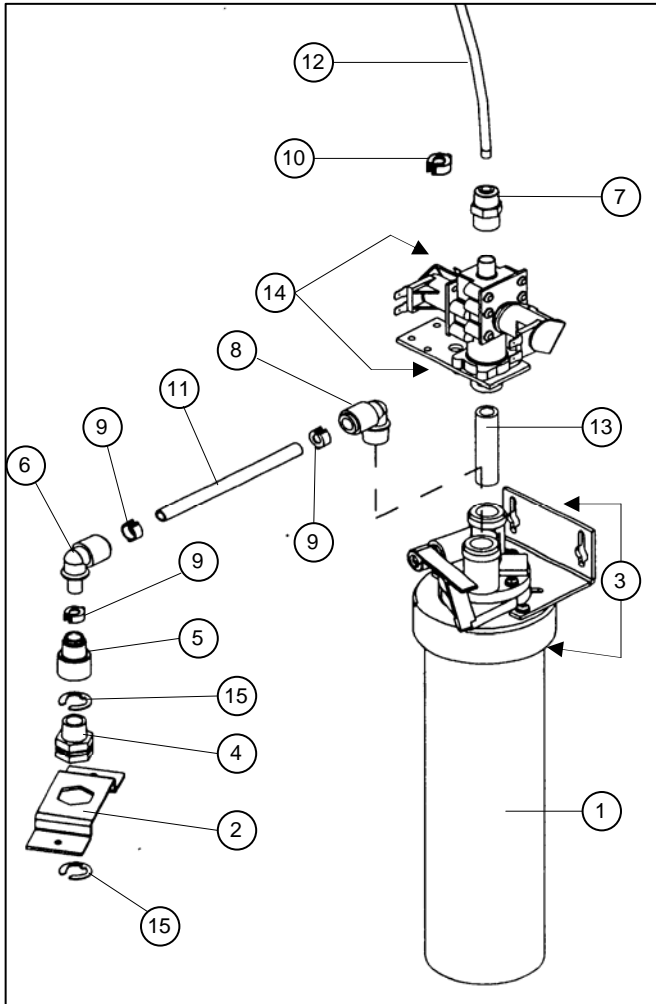
dual mini-grinder / loose ground hopper assembly parts



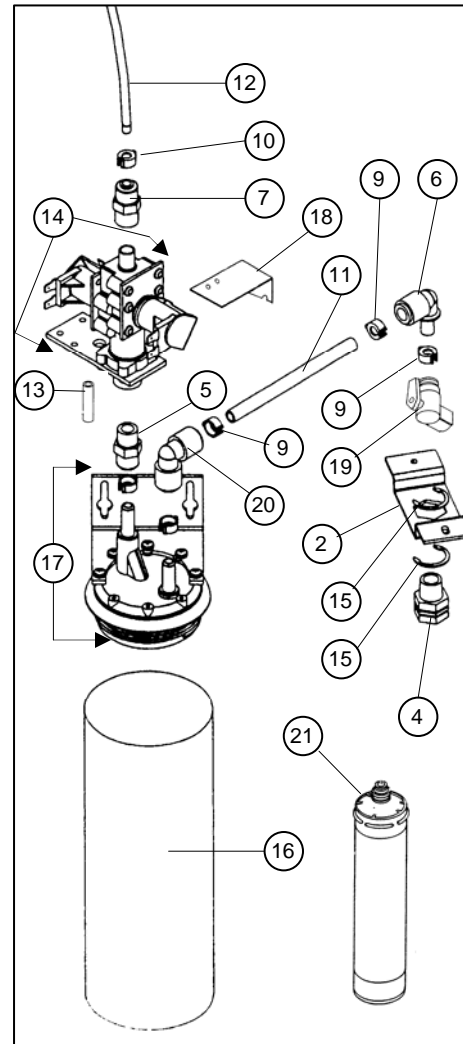
Item No.	Part No.	Description
	26600060	SWING-OUT COMP DMG-LG
	26600061	COMPLETE HOPPER ASM DMG-LG
1	26600085	GRINDER & BRKT ASM LHD MINI
2	26600087	GRINDER & BRKT ASM CTR MINI
3	26600078	CANISTER ASM INSERT LG, COMP.
4	22000378	PLATE, BACKING HPR w/ HOLES
5	23100035	4-40 NYLOC NUT
6	26000258	AGITATOR ASM SINGLE HPR
7	26000072	CHUTE ASM LG RHD
8	26600079	MOTOR ASM CANISTER
9	26600083	MOTOR LG 180 RPM
10	26000022	BRKT MOTOR, WELD
11	24400229	TUBE CHUTE MINI GRINDER LONG
12	24400228	TUBE CHUTE MINI GRINDER SHORT
13	26000260	BRKT ASM MINI GRINDER LHD
14	24400139	SLEEVE MINI GRINDER SHORT
15	24400139-01	SLEEVE MINI GRINDER TALL
16	24400028-01	INSERT HPR MINI GRINDER SHORT
17	24400028	INSERT HPR MINI GRINDER TALL
18	36649	SEAL, MINI GRINDER
19	38374	HOPPER LID

Item No.	Part No.	Description
20	38455	HOPPER COF BEAN MOLDED
21	38460	HOPPER DIVIDER
22	38470	SHUT OFF PLATE, BEAN
23	38378	BRACKET WELD SWING-OUT
24	34792-1	CLAMP HOSE
25	21042	NUT 8/32 ND NYLOC
26	38501	HOPPER PLUG PLATE w/ STUDS
27	24400036	CANISTER SPOUT
28	22000194	CANISTER SUPPORT PLATE
29	26600409	WHEEL LG COFFEE
30	12503	SCREW 6-32 ND x 3/8 PH (SPOUT)
31	38459	INSERT HOPPER LG
32	26000079	AUGER & SHAFT ASM DECAF
33	25969	DRIVER AUGER
34	25970	SCREW AUGER DRIVE
35	28864	BEARING REAR CAN
36	14190	NUT 5/8-11 PAL
37	23100070	ROD WHEEL LOOSE GROUND
38	33544	MINI GRINDER WIRED
39	09302	WASHER FLAT #4 SCP
40	26000299	BRKT ASM WELD MINI GRINDER

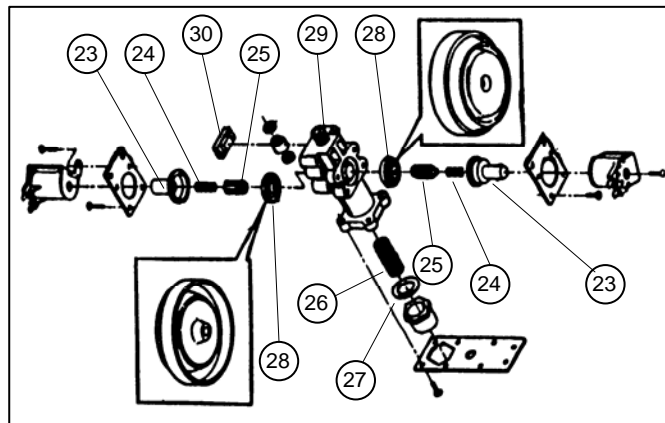
water inlet assembly



EVERPURE WATER INLET ASSEMBLY



HYDRO-LIFE WATER INLET ASSEMBLY



Item No.	Part No.	Description
1	16991	CARTRIDGE EVRP FILTER
2	22000044	RETAINER WTR INLET FITTING
3	23281	FILTER HEAD & RING ASM EVRP
4	25886	ADAPTER WTR-INLET BRASS
5	38277	CONNECTOR FEMALE TRUESEAL
6	38277-1	ELBOW UNION SWIV TUBE
7	38277-7	CONNECTOR 1/4 TUBE X 1/4
8	38277-17	CONNECTOR MALE ELBOW
9	38277-4	CLIP LOCKING (LARGE)
10	38277-8	CLIP LOCKING (SMALL)
11	38323-20	TUBE 3/8 POLYPRO WHT 5 IN
12	38324-80	TUBE 1/4 TEFLON (40")
13	31135	NIPPLE, 3/8 x 2 1/2 BRASS
14	38729	VALVE WATER INLET 24VDC
15	17521-5	RING RETG E 15/16
16	38344	SUMP & CARTRIDGE ASM HYDROLIFE
17	38343	HEAD ASM HYDROLIFE FILTER
18	38345	BRKT SUPPORT VALVE HYDRO
19	38277-9	SHUT-OFF VALVE
20	38277-29	ELBOW TUBE TO TUBE
21	37907	CARTRIDGE HYDROLIFE HLV190MH
23	16453	GUIDE
24	16452	SPRING
25	16451	ARMATURE
26	16476	SCREEN, INLET VALVE
27	16477	GASKET
28	22247	DIAPHRAGM
29	16449	BODY, VALVE
30	16474	PLUG, SEAL
NS	22100040	CUNO FILTER CARTRIDGE