

35" AND 39" LOW TEMP

GLASS FRONT MERCHANDISER

ILLUSTRATED PARTS MANUAL

LO076, REV. H

AUTOMATED MERCHANDISING SYSTEMS INC
255 WEST BURR BLVD.
KEARNEYSVILLE, WV 25430
304-725-6921 - Fax 304-725-6983

info@amsvendors.com
www.amsvendors.com

INTERNATIONAL A.M.S. S DE RL DE CV
KM. 9 CARR. AL CASTILLO NO. 8200
MPIO. DE EL SALTO, JAL. MEXICO 45680
5233-3-6-88-07-17 - Fax 5233-3-6-88-13-14

servicio@amsint.com.mx
www.amsint.com.mx

AMS Glass Front Merchandiser
35" & 39" LOW TEMP
Illustrated Parts Manual

Table of Contents

<u>SECTION</u>	<u>PAGE</u>
INTRODUCTION	
Table of Contents	3
General Introduction	4
Manual Organization	4
Merchandiser Identification	5
Patent Disclosure	6
Publication Notice	6
CABINET	
Cabinet Components and Screens	8
Cabinet and Parts for VCB and VCF Vendor	10
CHILLER	
Chiller Parts – Side View	14
Chiller Parts – Top View	16
DOOR	
Door, Coin Bay	18
Door, Hinges, Lighting and Glass	20
Door, External Parts	24
Door, Hopper with Sensit III	28
POS Display	30
ELECTRICAL HARNESSSES	32
TRAYS	
1.5" Helix Tray	54
Bottle Tray	56
Snack, Candy, Food Tray	58
Scrolling Price Tray	60
Helix	62

GENERAL INTRODUCTION

The purpose of this manual is to give our customers a way of identifying major service parts for repair and replacement. The illustrations and parts list in this manual are for identification of these service parts only.

Illustrations of these major parts are keyed with our part numbers. The illustrations help identify the general design, position and orientation of these parts. The note section may also give important information.

Please refer to the section on merchandiser identification on the following pages. Without the model style and serial number it may be difficult to identify the required part.

Parts should be ordered from your distributor.

It is our intent to assist our customers with up-to-date documentation. However, this manual may not show all parts, variations or changes. Some parts may be shown slightly out of scale. This manual is itself subject to change without notice. If any errors are found, please notify AMS so the correction can be included in later revisions. Engineering data and third party information are generally not included. The graphical data, group assembly data, parts, part assembly, parts breakout information and tabular data conveyed by this manual is proprietary and belongs to AMS, and holders without prior consent of or without knowledge of and by AMS must surrender this data immediately.

All measurements are in inches except where specified as Metric.

MANUAL ORGANIZATION

This manual is divided into sections representing the general parts of our merchandisers. Each section is further divided into the various subsections or subassemblies of the machine. Each subsection leads off with one or more illustrations showing the parts. Each part shown is identified with the part number.

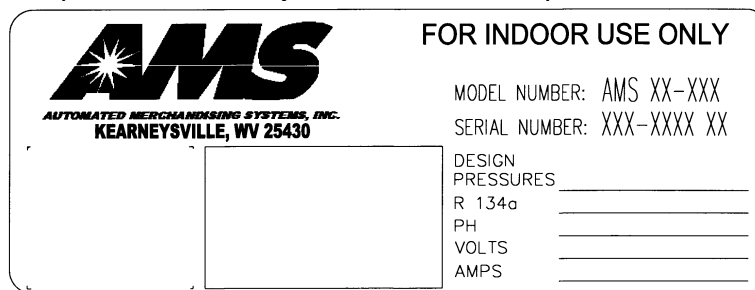
After the illustrations, the part number in the illustration is paired with our drawing description or title for that part. In some instances there may be multiple parts to choose from. However, the correct service or repair part for the style of merchandiser must be selected. There is a note section where additional information may be found.

A quantities column in the list provides information on the total quantities required for each set-up as shown. Some assemblies are fabricated as a unit at AMS and are replaceable only as a complete assembly. Optional parts identify parts contracted for and installed in the factory at AMS.

This manual contains model and style information for a vendor as found in previous revisions or parent manuals, including corrections. It may also contain additional and new information, especially if it is specific to your new vendor. Previous revisions of this manual should be kept for use with the vendor it was issued for.

MERCHANDISER IDENTIFICATION

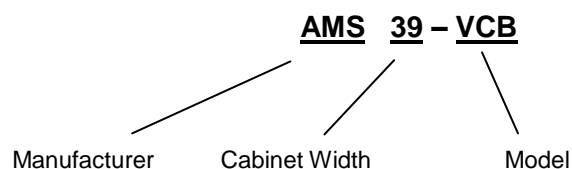
When requesting service, replacement parts or technical assistance, please use the **Model Number** and the **Serial Number with Date Code**, found on the Serial Plate (Refer to Figure 1) affixed to the merchandiser. The plate is usually located inside the door, visible through the window. The information contained on this plate is necessary to determine what parts, kits, or maintenance apply to your vendor.



72-002 Serial Plate

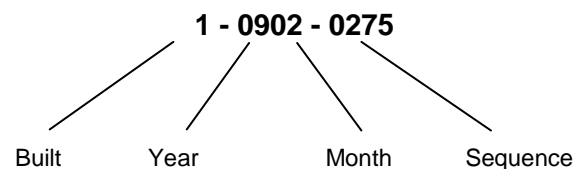
Figure 1. Example of Typical Serial Plate

Example of Model Number Breakdown



Example: AMS39-VCB means this vendor is an Automated Merchandising Systems merchandiser, 39" wide, without Health and Safety protection.

Example of Serial Number and Date Code Breakdown



Example: 1-0902-0275 is translated as U.S. built (1), manufactured in 2009, month of February, and was the 275th manufactured that year.

Note: Manufactured in Mexico, Built = (2)

PATENT DISCLOSURE

This merchandiser and/or certain of its components are covered by one or more of the following U.S. and international patents;

U.S. PATENTS: 6,041,962; 6,145,699; 6,202,888; 6,384,402; 6,520,373; 6,708,079; 6,794,634; 7,191,915; 7,343,220; 7,446,302; 7,742,837, 8,003,931.

CANADIAN PATENT 2,329,314.

MEXICO PATENT 230714.

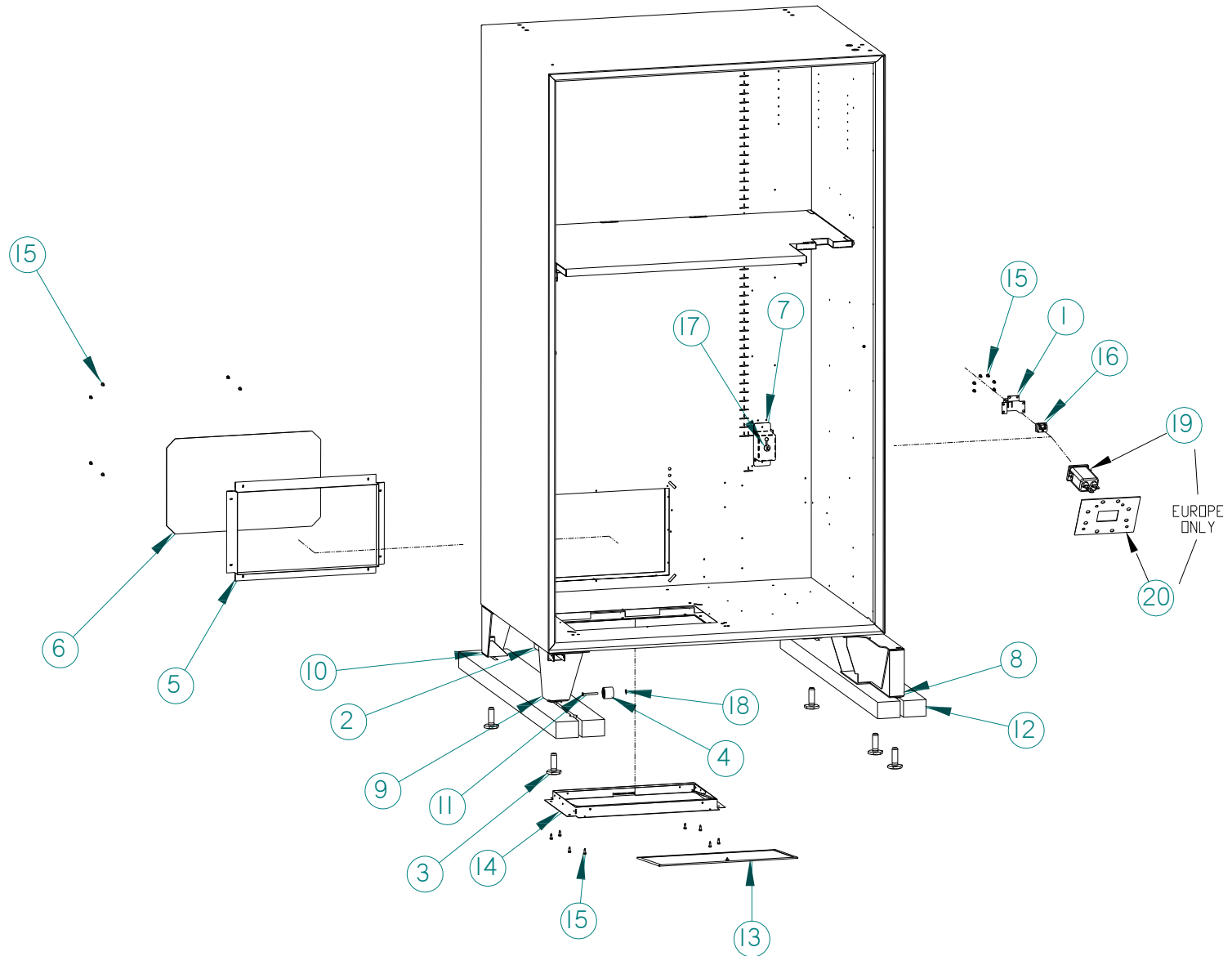
PUBLICATION NOTICE

L0076, Revision H, 12/23/13

It is our intent to assist our customers with up-to-date documentation: however, this manual may not contain all updates and is subject to revision without notice. Please contact our Service Department with your requests or comments.

THIS PAGE INTENTIONALLY LEFT BLANK

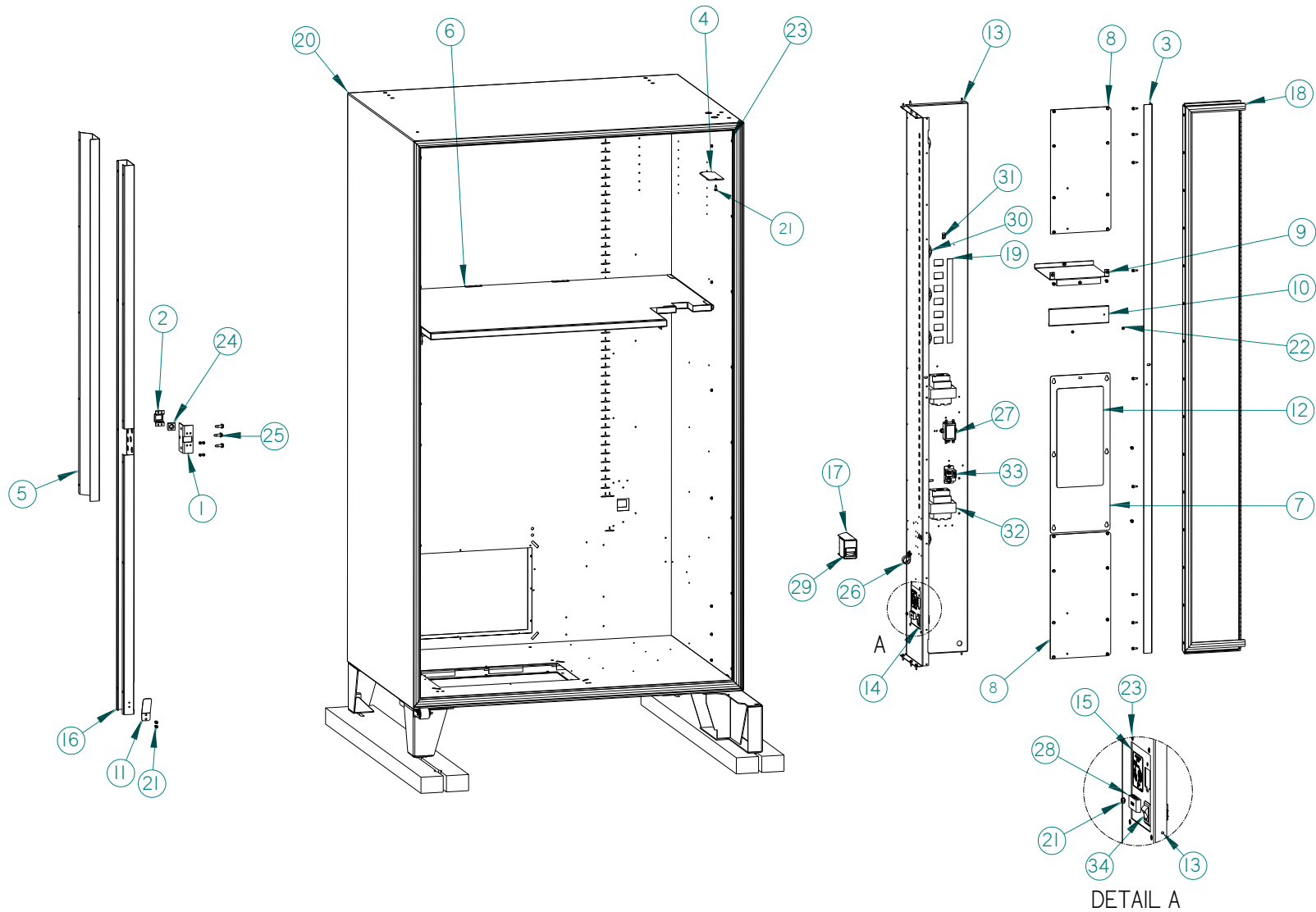
CABINET COMPONENTS AND SCREENS ILLUSTRATION



CABINET COMPONENTS AND SCREENS PARTS LIST

ITEM	PART NO.	PART DESCRIPTION	NOTES
1	20608	POWER CORD COVER	
2	20019	ROLLER BRACKET	
3	20121	LEVELING LEG	
4	20177	ROLLER	
5	20275	REAR & BOTTOM TRIM CHILLER HOLE	
6	20279	SCREEN, REAR CHILLER HOLE, 4 MESH	
7	20321	IEC INLET COVER	
8	21122	FRONT LEG ASSEMBLY	
9	21123	LEFT FRONT LEG ASSEMBLY	
10	21124	REAR LEG ASSEMBLY	(QTY 2)
11	21250	ROLLER SHAFT	
12	23231	SHIPPING BOARD	40" LONG, NOT TREATED, (DOM)
	23231-02	SHIPPING BOARD	38-3/8" LONG, NOT TREATED, (DOM)
	23231-01	SHIPPING BOARD	40" LONG, TREATED (ISPM 15), (EXPORT)
	23231-03	SHIPPING BOARD	38-3/8" LONG, TREATED (ISPM 15), (EXPORT)
13	21463	SCREEN, BOTTOM CHILLER HOLE, 4 MESH (35")	Contact AMS for your application
	21469	SCREEN, BOTTOM INSECT (35")	
	23262	CONDENSER SCREEN ASSEMBLY (39")	
14	20275	REAR & BOTTOM TRIM CHILLER HOLE (39")	Contact AMS for your application
	21464	BOTTOM TRIM CHILLER HOLE (35")	
	23209	BOTTOM TRIM CHILLER W/ REMOVABLE SCREEN (39")	
	23263	CONDENSER SCREEN HOLDER ASSEMBLY (39")	
15	3000	SHEET METAL SCREW (1/4" HEX)	
16	3057	IEC INLET	
17	3080	STRAIN RELIEF	
18	3113	3/16 PUSH NUT	
19	3827	POWER ENTRY MODULE, 230V	EUROPE ONLY
20	25462	PLATE, POWER ENTRY MODULE, CE	EUROPE ONLY

CABINET PARTS FOR 35" AND 39" LOW TEMP ILLUSTRATION



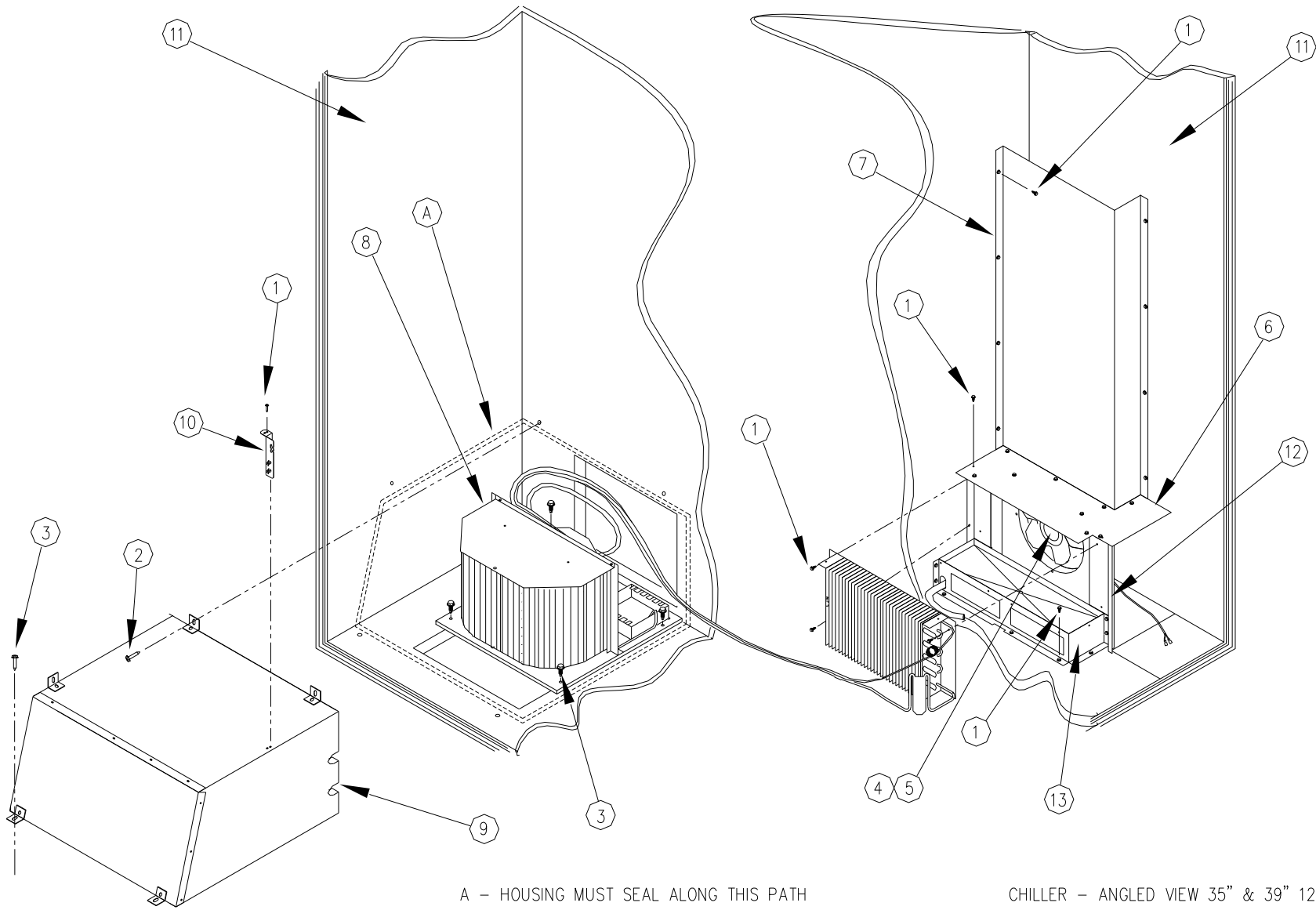
CABINET PARTS FOR 35" AND 39" LOW TEMP PARTS LIST

ITEM	PART NO.	PART DESCRIPTION	NOTES
1	20135	LOCK, FLANGE	
2	20136	LOCK, CAGE	
3	20213	FLANGE, RIGHT VERTICAL	
4	20291	COVER PLATE, HINGE HOLE	
5	20481	LEFT VERTICAL RAIL EXTENSION	
6	22006	BULKHEAD ASSEMBLY, VISI-COMBO (35")	OPTIONAL, CONTACT AMS FOR YOUR APPLICATION
	20790	BULKHEAD ASSEMBLY, VISI-COMBO (39")	
	24280	ASSY., BULKHEAD, MU	
7	20880	TRANSFORMER COVER PLATE	
8	20882	COVER PLATE	
9	21975	BULKHEAD, RIGHT RAIL MOUNT (35")	
	20907	BULKHEAD, RIGHT RAIL MOUNT (39")	
10	21053	STIFFENER	
11	21087	DOOR SWITCH PLATE	
12	21324	WARNING DECAL	
13	21913	RIGHT RAIL MOUNT, VERTICAL (35")	
	21477	RIGHT RAIL MOUNT, VERTICAL (39")	
14	21479	SWITCH AND FUSE HOLDER PLATE	
15	21509	FUSE DECAL	
16	21839	LEFT VERTICAL RAIL MOUNT	
17	21691	FAN SWITCH ENCLOSURE	
18	22005	RAIL MOUNT DOOR ASSEMBLY	
19	22041	TRAY POSITION DECAL	
20	21989	CABINET ASSEMBLY(35")	CONTACT AMS FOR YOUR APPLICATION
	22071	CABINET ASSEMBLY(39")	
21	3000	SHEET METAL SCREW (1/4" HEX)	
22	3009-02	1/8" RIVET (1/8" GRIP)	
23	3009-04	1/8" RIVET (1/4") GRIP	
24	3010	SQUARE MACHINE NUT	
25	3018-06	SHEET METAL SCREWS (3/8" HEX)	
26	3024-12	CABLE CLAMP	
27	3030	RFI FILTER 115V	NON-EUROPE ONLY, CHECK UNIT VOLTAGE

28	3133-30	FUSE HOLDER	
29	3199	ROCKER SWITCH N/O	
30	3205-34	GROMMET	
31	3229	4" EXTENSION SPRING	NOT SHOWN
32	3257	TRANSFORMER 120V – 2 USED	CHECK UNIT VOLTAGE
	3258	TRANSFORMER 220V – 2 USED	
33	3274	RELAY	
34	3284	ROCKER SWITCH	
35	21079	CABLE ASSEMBLY, DOOR STOP	NOT SHOWN

THIS PAGE INTENTIONALLY LEFT BLANK

CHILLER PARTS ILLUSTRATION - SIDE VIEW



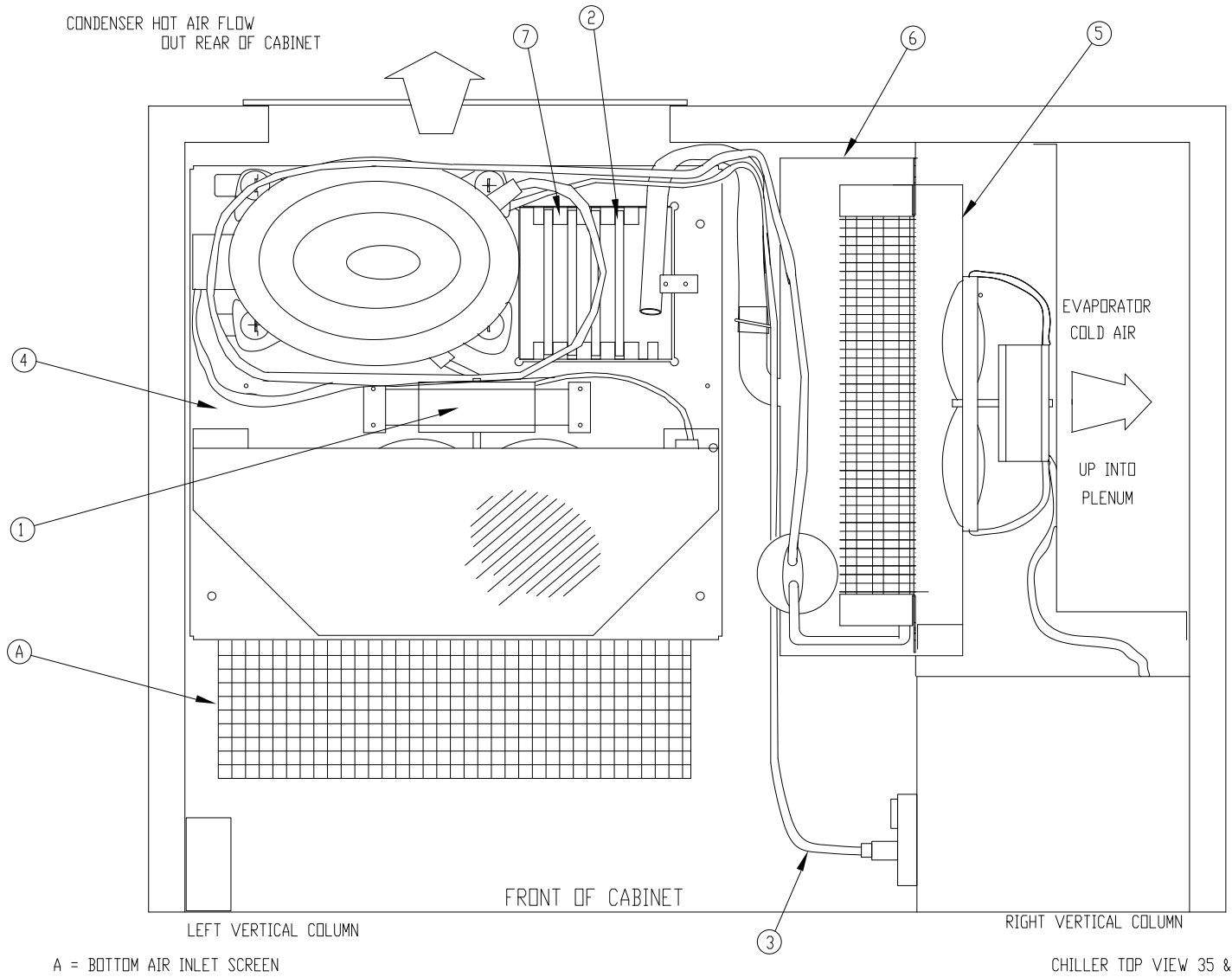
A - HOUSING MUST SEAL ALONG THIS PATH

CHILLER - ANGLED VIEW 35" & 39" 12-12-13

CHILLER – SIDE VIEW PARTS LIST			
ITEM	PART NO.	PART DESCRIPTION	NOTES
1	3000	SHEET METAL SCREW TEK #8-18	
2	3018-06	SCREWS, ¼ X ¾, SELF TAPPING, HEX HEAD	FOR ATTACHING TO TANK WALLS
3	3018-08	SCREWS, ¼ X 1, SELF TAPPING, HEX HEAD	FOR ATTACHING TO TANK FLOOR
4	3106	EVAPORATOR FAN/MOTOR ASSEMBLY, 220V, 50Hz, 1 PHASE (VCB/VCF MODELS)	NOTE VOLTAGE
5	3107	EVAPORATOR FAN/MOTOR ASSEMBLY, 115V, 60Hz, 1 PHASE (VCB/VCF MODELS)	
	3819	EVAPORATOR FAN/MOTOR ASSEMBLY, (LB/LC MODELS), 115V, 50/60 Hz	
6	21987	EVAPORATOR COVER PLATE	
7	20317	EVAPORATOR PLENUM	CONTACT AMS FOR YOUR APPLICATION
	20658	EVAPORATOR PLENUM (VISI-COMBO)	
8	22889	ASSEMBLY, 1/2, CHILLER, 115V	SEE NOTE. CONTACT AMS FOR YOUR APPLICATION
	22928	ASSEMBLY, 1/2, CHILLER, 240V	
	24712	ASSEMBLY, MODULAR UNIT, 115V (LB/LC MODELS)	
9	21888	ASSEMBLY, CHILLER HOUSING (35")	HOUSING MUST SEAL AGAINST CABINET AS SHOWN.
	23219	ASSEMBLY, CHILLER HOUSING, ENGLISH (39")	HOUSING MUST SEAL AGAINST CABINET AS SHOWN. SUPPLIED WITH ACCESS DOOR.
	23219-01	ASSEMBLY, CHILLER HOUSING, SPANISH (39")	
	24361	ASSEMBLY, TOP BULKHEAD, CHILLER COVER, LB/LC, 39"	
	24367	ASSEMBLY, TOP BULKHEAD, CHILLER COVER, LB/LC, 35"	
10	21424	BRACKET, TEMPERATURE SENSOR	
11	21989	CABINET ASSEMBLY(35")	CONTACT AMS FOR YOUR APPLICATION
	22071	CABINET ASSEMBLY(39")	
12	21990	BASE, STAMPED EVAPORATOR DRAIN PAN	FOR STAMPED PAN ASSEMBLIES
13	21992	ASSEMBLY, STAMPED EVAPORATOR DRAIN PAN	USE WITH 21990, DRAIN PAN BASE

NOTE: Chiller assemblies are charged with refrigerant and are replaceable only as an assembly. The refrigeration system is pressurized and sealed at the factory. Puncturing or cutting any component in the system will cause refrigerant gas and liquid to be propelled out of the system, creating an immediate physical hazard. Use caution to avoid accidentally opening the refrigerant system. It should also be noted that releasing refrigerant to the atmosphere is a federal crime and is punishable by law. Any service work requiring the system to be opened must be performed by a licensed technician using certified recovery equipment. Unauthorized service to the sealed refrigerant system may void the warranty.

CHILLER PARTS ILLUSTRATION - TOP VIEW

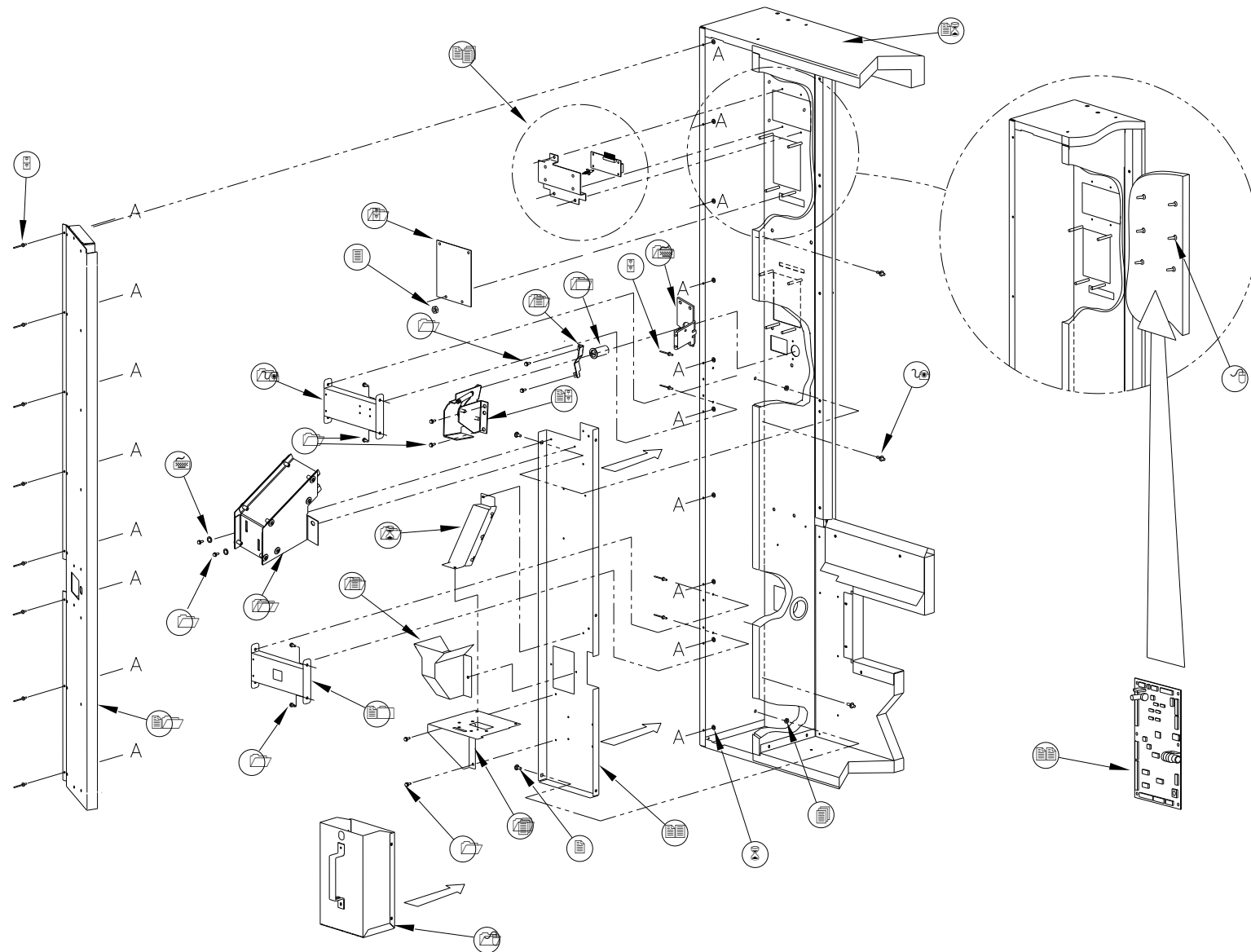


CHILLER PARTS LIST – TOP VIEW

ITEM	PART NO.	PART DESCRIPTION	NOTES
1	3065	FAN, CONDENSER ASSEMBLY, 220V, 50 Hz, 1 PHASE	NOTE VOLTAGE
	3108	FAN, CONDENSER ASSEMBLY, 115V, 60Hz, 1 PHASE	
	3819	EVAPORATOR FAN/MOTOR ASSEMBLY, (LB/LC MODELS), 115V, 50/60 Hz	
2	3093	SPONGE (CONDENSER DRAIN PAN)	
	3093-01	SPONGE (BLUE) LB/LC MODELS	
3	20144	REFRIGERATION HARNESS (VCB/VCF MODELS)	USE WITH BOTH 115V OR 220V SYSTEMS
	22653	REFRIGERATION HARNESS, LB/LC MODELS	
4	22889	ASSEMBLY, 1/2, CHILLER, 115V (VCB/VCF MODELS)	SEE NOTE. CONTACT AMS FOR YOUR APPLICATION
	22928	ASSEMBLY, 1/2, CHILLER, 240V (VCB/VCF MODELS)	
	24712	ASSEMBLY, MODULAR CHILLER, 115V (LB/LC MODELS)	
5	21990	BASE, STAMPED EVAPORATOR DRAIN PAN (VCB/VCF MODELS)	FOR STAMPED PAN ASSEMBLIES
6	21992	ASSEMBLY, STAMPED EVAPORATOR DRAIN PAN	USE WITH 21990, DRAIN PAN BASE
	24287	ASSEMBLY, MOLDED EVAPORATOR DRAIN PAN (LB/LC MODELS)	
7	22048	CONDENSER DRAIN PAN (VCB/VCF MODELS)	
	24585	CONDENSER DRAIN PAN (LB/LC MODELS)	

NOTE: Chiller assemblies are charged with refrigerant and are replaceable only as an assembly. The refrigeration system is pressurized and sealed at the factory. Puncturing or cutting any component in the system will cause refrigerant gas and liquid to be propelled out of the system, creating an immediate physical hazard. Use caution to avoid accidentally opening the refrigerant system. It should also be noted that releasing refrigerant to the atmosphere is a federal crime and is punishable by law. Any service work requiring the system to be opened must be performed by a licensed technician using certified recovery equipment. Unauthorized service to the sealed refrigerant system may void the warranty.

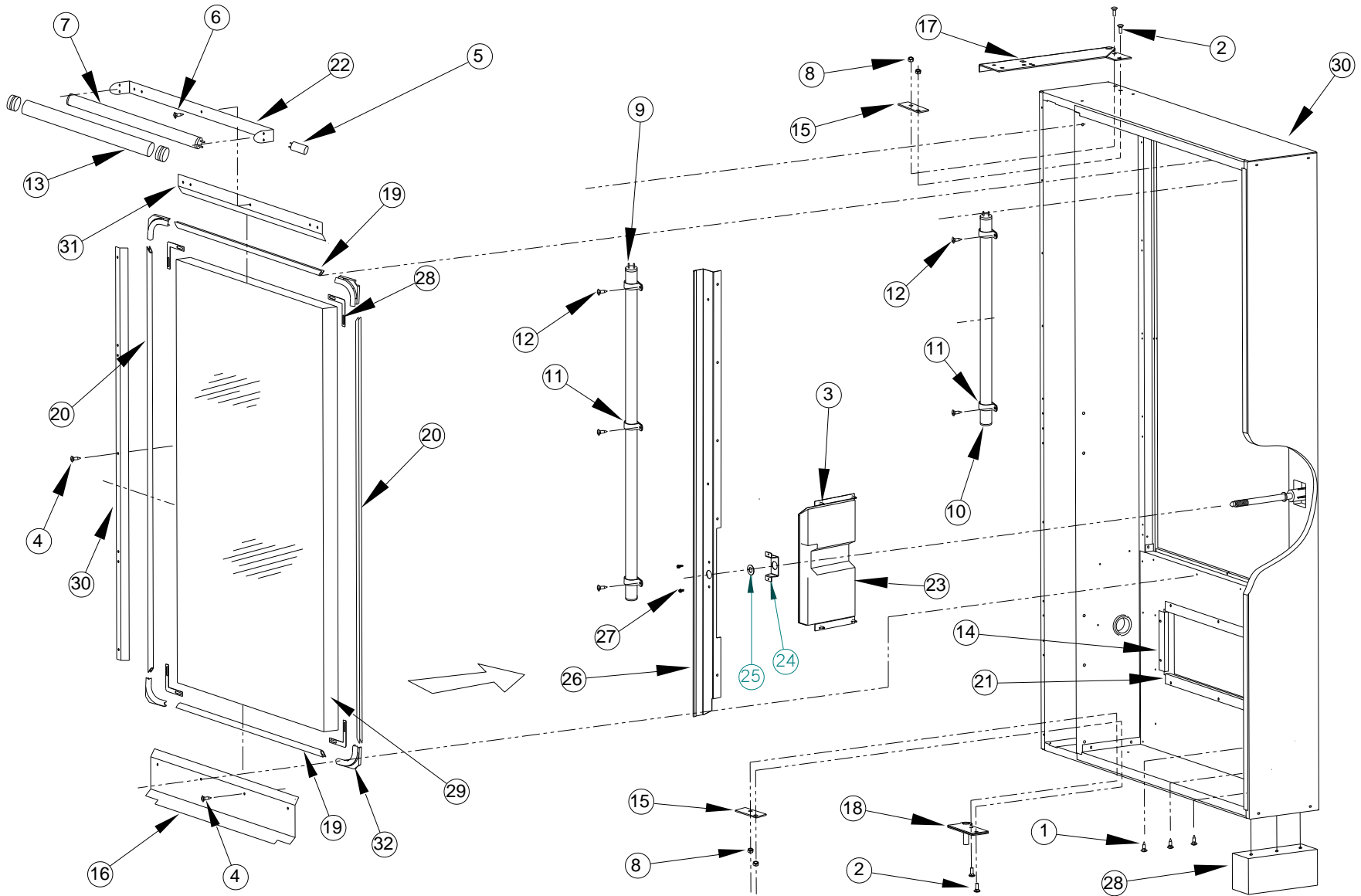
COIN BAY DOOR ILLUSTRATION



COIN BAY DOOR PARTS LIST

ITEM	PART NO.	PART DESCRIPTION	NOTE
1	3000	Screw, Sheet Metal TEK 8-18	
2	3005-04	Carriage Bolt, #10-24, 1/2"	
3	3006-08	Nut, Hex, Machine Screw, #8-32	4 per DBV Opening
4	3006-10	Nut, Hex, Machine Screw, #10-24	
5	3009-04	Rivet, Steel, 1/8", Black, Grip Length 1/4"	
6	3017-06	Washer, Flat Steel, SAE Std., #6	
7	3017-10	Washer, Flat Steel, SAE Std., #10	
8	3037-1	PC Board Support (3/16")	For Control Board
9	3038	Rivet, Nylon, Trim	Hold Door Closed
10	20081-01	Scavenger Button, Blk	
11	24631	Assy., Coin Chute, Upper	
12	24641	Scavenger Guide, Epoch	
13	23373	Assembly, Plastic Coin Cup	
14	24961	Coin Box Bulkhead	
15	20181	DBV Cover Plate	Flat Steel Plate, 1 per DBV Opening
16	24962	Assembly, Coin Chute, Lower	
17	24642	Bracket, Pushbutton Alignment, Epoch	
18	24613	Assembly, Coin Box	
19	20706	Door Stiffener, Upper, Without Fuse And Switch	Not Shown
	20709	Door Stiffener, Upper, Locking, W/O Fuse And Switch	
20	20707	Door Stiffener, Bottom with Switch	
21	22004	Assembly, Upper Coin Door, Low Temp	
22	25655	Control Board, Sensit 3	
23	24608	Mounting Panel, Changer, Multi-Use	
24	24739	Assembly, Display, VER 3, Escutcheon, Sensit II	
25	24625	Assembly, Scavenger System Escutcheon, VER. 3	
26	25212	Assy., Foamed Door, L/T, Epoch (35")	Contact AMS for your application.
	25203	Assy., Foamed Door, L/T, Epoch (39")	
	25244	Assy., Foamed Door, L/T, Epoch-ADA (39")	

DOOR HINGES, LIGHTING AND GLASS ILLUSTRATION

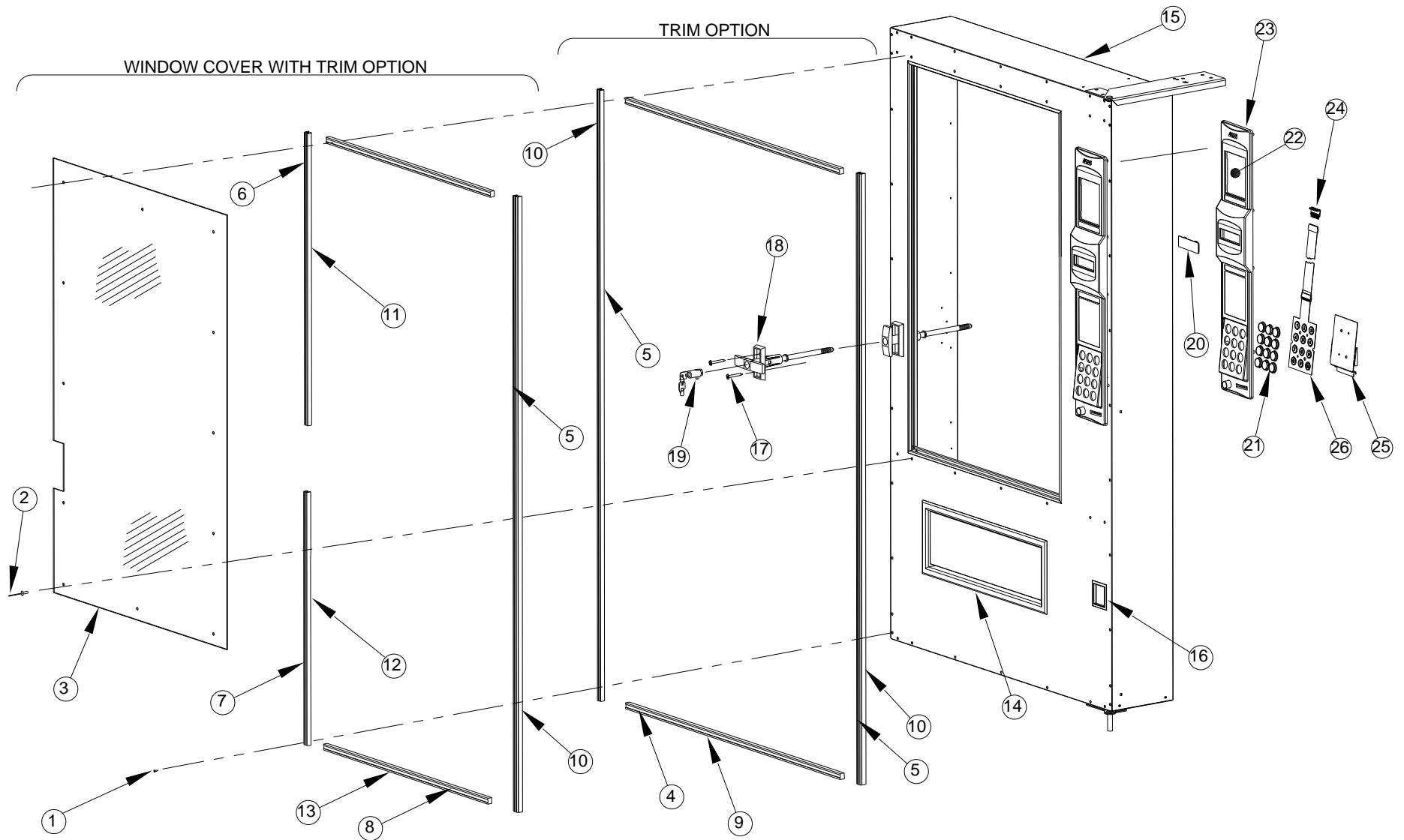


DOOR HINGES, LIGHTING AND GLASS PARTS LIST

ITEM	PART NO.	PART DESCRIPTION	NOTE
1	3000	Screw, TEK 8-18	
2	3004-06	Carriage Bolt, ¼-20, ¾"	
3	3009-02	Rivet, Pop, Steel, 1/8 Diameter	
4	3018-06	Screw, ¼ X ¾, Self Tapping, Hex Head	For Glass Retainers
5	3056	Starter, FS2	For Single Fluorescent Lamp , 110V
	3163	Starter, S10	For Single Fluorescent Lamp , 230V, 50 Hz.
6	3072-06	Screw, Machine, #4-36 (3/4" Long)	For Single Fluorescent Lamp, 110V
7	3105	Fluorescent Lamp, 18", 1" Diameter	For Single Fluorescent Lamp, 110V
	23522	Lamp, LED, 24"	For Single LED Option
8	3153-11	Nut, Hex With Lock Washer	
9	23521	Lamp, LED, 42"	For Dual LED Option
	25115	Lamp, LED, 35"	For Dual LED Option in 39" Epoch ADA
10	23522	Lamp, LED, 24"	For Dual LED Option
11	3024-16	Cable Clamp, Black Nylon (1" Dia.)	For Dual LED Option
12	3342-04	Screw, Sheet Metal, Tek 8-18, Clear Zinc, ½" L	For Dual LED Option
13	3279	Lamp Cover, T8, 18", Clear, With End Caps	For Single Lamp Option
14	22381	Retainer, Vertical Eyelet	
15	20206	Hinge, Washer Plate	
16	23658-01	Retainer, 1" Dual Pane Glass, Bottom Deflector (39")	
	24034-01	Retainer, 1" Dual Pane Glass, Bottom Deflector (35")	
17	21703	Assembly, Top Hinge, 3/16"	
18	21704	Assembly, Bottom Hinge Bottom, 3/16"	
19	24761-13	Extrusion, Glass Installation, Ver. 2, 16.91 (35")	Horizontal, Use with Glass
	24761-11	Extrusion, Glass Installation, Ver. 2, 22.38 (39")	
20	24761-14	Extrusion, Glass Installation, Ver. 2, 36.59 (35")	Vertical, Use with Glass
	24761-12	Extrusion, Glass Installation, Ver. 2, 37.68 (39")	
	24761-16	Extrusion, Glass Installation, Ver. 2, 31.68 (Epoch-ADA 39")	
21	20401	Retainer, Horizontal Eyelet	

22	24123	Assembly, Lamp Bracket, Single (35")	For Single Fluorescent Lamp, 110V
	20579	Lamp Mtg. Bracket, Universal (39")	For Single Fluorescent Lamp, 110V and 230V
23	22068	Assembly, Lock Bolt Cover, L/T	
	25299	Assembly, Lock Bolt Cover, L/T 39" ADA	
24	20857	Lock Bolt Bracket	
25	20852	T-Handle Seal	
26	20965-01	Tray Restraint, Low Temp, Reduced Depth	
	25124	Tray Restraint, Low Temp, Reduced Depth ADA	
27	3342-04	Sheet Metal Screw (1/4" Hex x 1/2")	
28	22036	Glass Retainer Corner	
29	24035	WINDOW, GLASS, 1" DUAL PANE (39")	
	24036	WINDOW, GLASS, 1" DUAL PANE (35")	
	25095	WINDOW, GLASS, 1" DUAL PANE L/T (39"), EPOCH-ADA	
30	23657-01	VERTICAL GLASS RETAINER(39")	
	25288-01	VERTICAL GLASS RETAINER, EPOCH-ADA (39")	
	24033-01	VERTICAL GLASS RETAINER, (35")	
31	23656-01	TOP GLASS RETAINER, (39")	
	24032-01	TOP GLASS RETAINER, (35")	
32	24099	CORNER, WINDOW TRIM	

THIS PAGE INTENTIONALLY LEFT BLANK



DOOR, EXTERNAL PARTS ILLUSTRATION

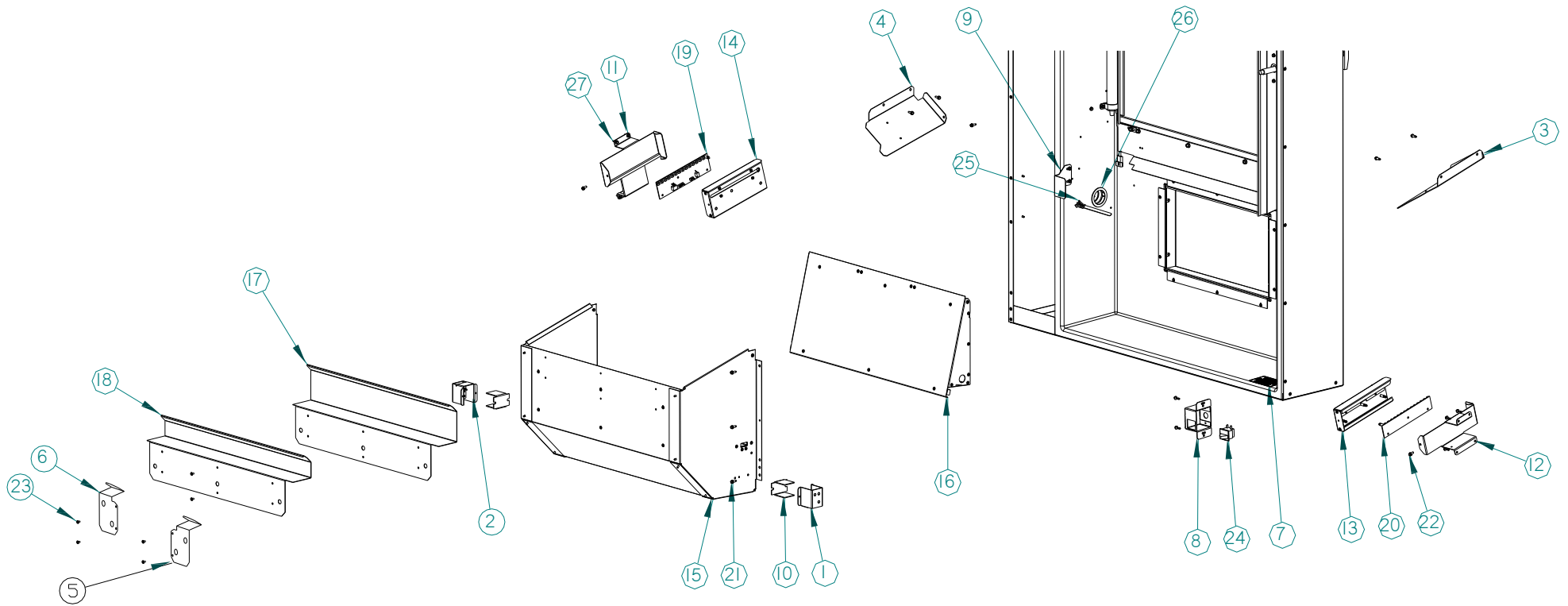
DOOR, EXTERNAL PARTS LIST

ITEM	PART NO.	PART DESCRIPTION	NOTE
1	3000	Screw, Sheet metal, TEK 8-18	For Securing Trim
2	3172-02	Rivet, Aluminum, 1/4" Diameter, Natural (1/4" Grip)	For Securing Window Covers
3	-----	Window Cover, Polycarbonate (35"),	Contact AMS for your application
	-----	Window Cover, Polycarbonate (39"),	
4	21535-02	Trim, Plastic Insert, For Recessed Base (31.93") (35")	Snaps into Trim Base
	21535-01	Trim, Plastic Insert, For Recessed Base (37.25") (39")	
5	21535-03	Trim, Plastic Insert, For Recessed Base (65.38")	Snaps into Trim Base
6	21535-06	Trim, Plastic Insert, For Recessed Base (30.2")	Snaps into Trim Base
7	21535-07	Trim, Plastic Insert, For Recessed Base (29.4")	Snaps into Trim Base
8	21535-08	Trim, Plastic Insert, For Recessed Base (23.9") (35")	Snaps into Trim Base
	21535-15	Trim, Plastic Insert, For Recessed Base (29.68") (39")	
9	21612-02	Recessed Trim Base With Holes, Painted (35")	Black Paint Finish
	21612-01	Recessed Trim Base With Holes, Painted (39")	
10	21612-03	Recessed Trim Base With Holes, Painted	Black Paint Finish
11	21612-06	Recessed Trim Base With Holes, Painted	Black Paint Finish
12	21612-07	Recessed Trim Base With Holes, Painted	Black Paint Finish
13	21612-08	Recessed Trim Base With Holes, Painted (35")	Black Paint Finish
	21612-15	Recessed Trim Base With Holes, Painted (39")	
14	25080	Trim, Vend Eyelet	
15	25212	Assy., Foamed Door, L/T, Epoch (35")	Contact AMS for your application.
	25203	Assy., Foamed Door, L/T, Epoch (39")	
	25244	Assy., Foamed Door, L/T, Epoch-ADA (39")	
16	23372	Trim, Plastic Coin Cup	
17	3005-04	10-24 Carriage Bolt	
18	20130	T-Handle Assembly	
19	20131	Lock Cylinder	
20	22175	Lens, Escutcheon, GFM	
21	22177	Button, .090" Dia. Round, Escutcheon	
22	22184-01	DBV Cover Panel, Gray	Optional
23	24616	Escutcheon, Plastic, Epoch	

24	24746	Led Driver, Keypad	
25	24782	Membrane Switch Mounting Plate, 4/76 x 3.57	
26	25688	Assembly, Lighted Keypad	

THIS PAGE INTENTIONALLY LEFT BLANK

DOOR, PRODUCT HOPPER ILLUSTRATION

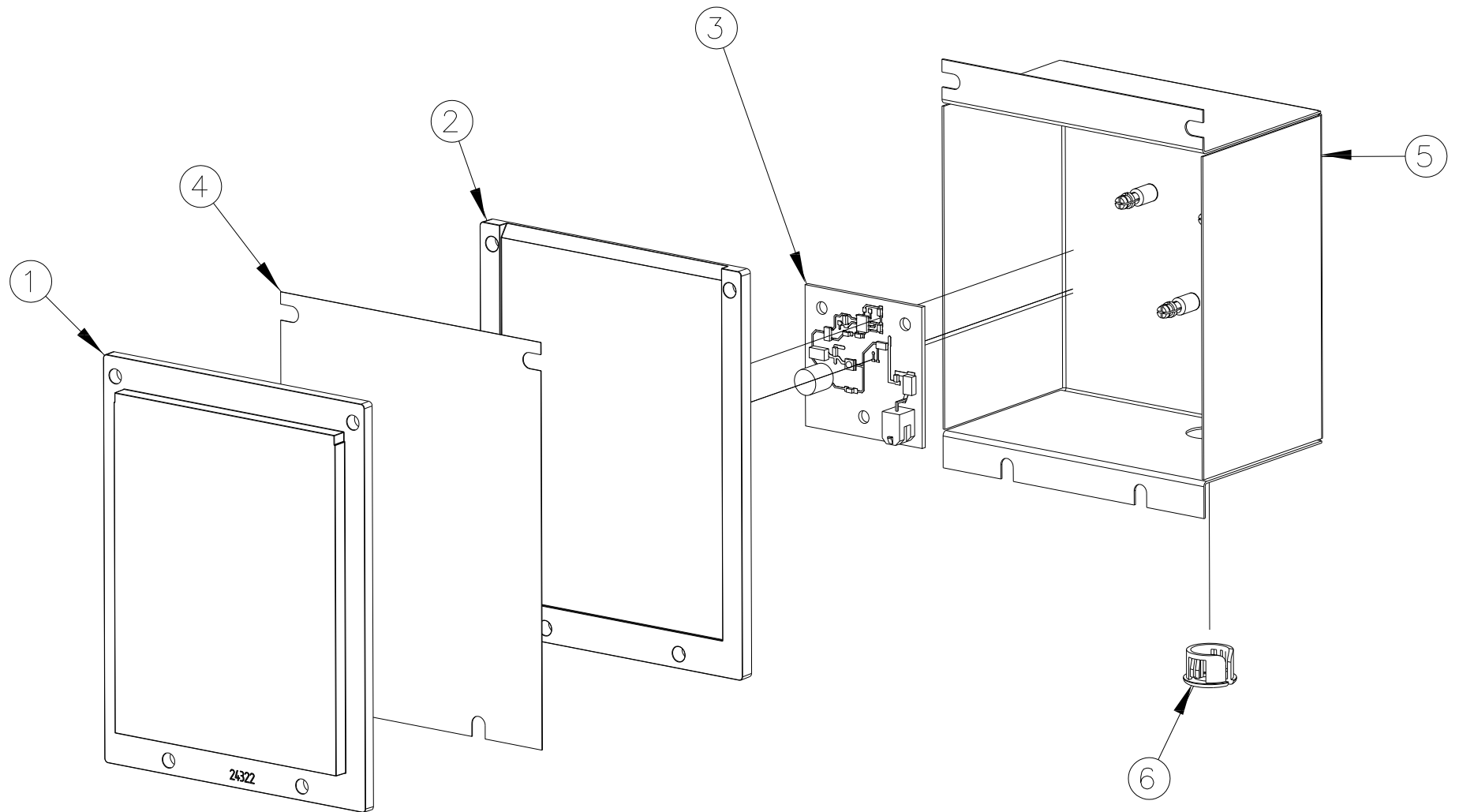


DOOR, PRODUCT HOPPER PARTS LIST

ITEM	PART NO.	PART DESCRIPTION	NOTE
1	21442	ASSY., PRODUCT SENSOR EMITTER	OPTIONAL ITEM
2	21443	ASSY., PRODUCT SENSOR DETECTOR	OPTIONAL ITEM
3	22218-01	LEFT PRODUCT KICKER W/O FLANGE	OPTIONAL ITEM
4	22219-01	RIGHT PRODUCT KICKER W/O FLANGE	OPTIONAL ITEM
5	22387	DEFLECTOR PLATE, 1.5" HELIX TRAY RH (39" ONLY)	REQUIRED WITH 1.5" HELIX TRAY (39")
6	22387-01	DEFLECTOR PLATE, 1.5" HELIX TRAY LH (39" ONLY)	
7	21625	CLEANING DECAL	
8	21690	DOOR SWITCH ENCLOSURE	
9	21692	FAN STRIKER PLATE	
10	21798	LENS, PRODUCT SENSOR	REQUIRED WITH ITEMS 1&2
11	24970	PRIMARY SENSOR BRACKET	
12	22126	SECONDARY SENSOR BRACKET	
13	22128	SECONDARY SENSOR COVER	
14	22130	PRIMARY SENSOR COVER	
15	23332	HOPPER ASSEMBLY (35")	
	22202	HOPPER ASSEMBLY (39")	
16	22263	VEND DOOR ASSEMBLY (35")	
	22204	VEND DOOR ASSEMBLY (39")	
17	22389	DEFLECTOR PLATE, 2.71" Height, 1-1/8 CU Ft. Hopper (35")	OPTION*
	22386	DEFLECTOR PLATE, 2.71" Height, 1.5 CU Ft. Hopper (39")	
18	22388	DEFLECTOR PLATE, 2.25" Height, 1-1/8 CU Ft. Hopper (35")	OPTION*
	22390	DEFLECTOR PLATE, 2.25" Height, 1.5 CU Ft. Hopper (39")	
19	24342	PRIMARY SENSOR BOARD	
20	24343	SECONDARY SENSOR BOARD	
21	3000	SHEET METAL SCREW (1/4" HEX)	
22	3001-03	SHEET METAL SCREW (1/4" HEX, BLUNT TIP)	
23	3009-04	1/8" X 1/4 GRIP STEEL RIVET	
24	3036	ROCKER SWITCH	
25	3081	WIRE TIE, PANEL MOUNT	
26	3205-24	GROMMET	
27	3342-04	SHEET METAL SCREW (3/8" HEX)	

*Use 1 of these if there is no 1.5" Helix Tray. Choose height based on lowest tray position.

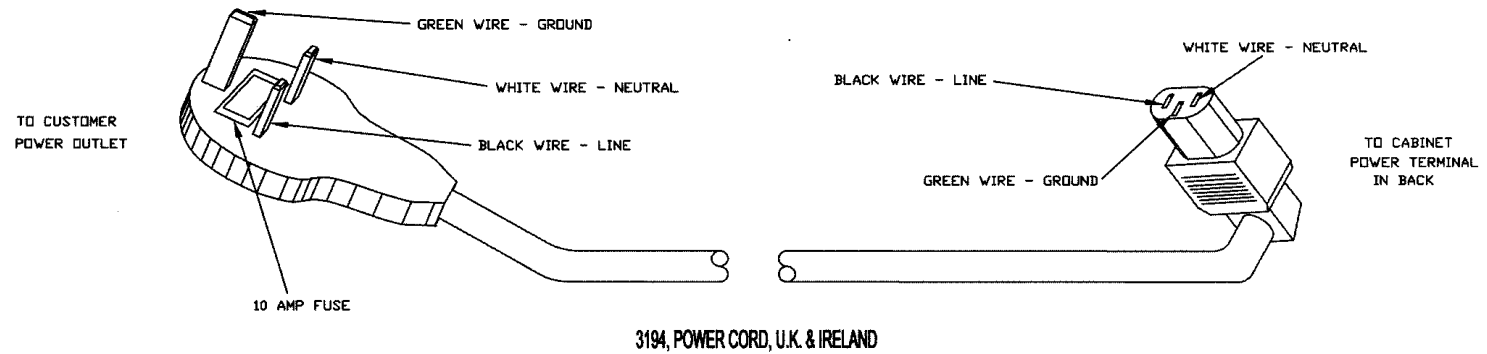
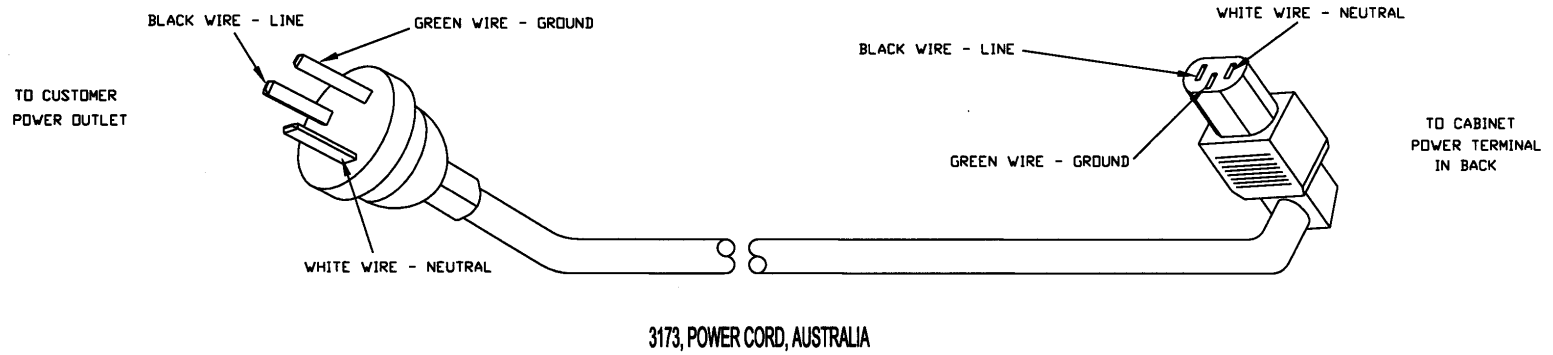
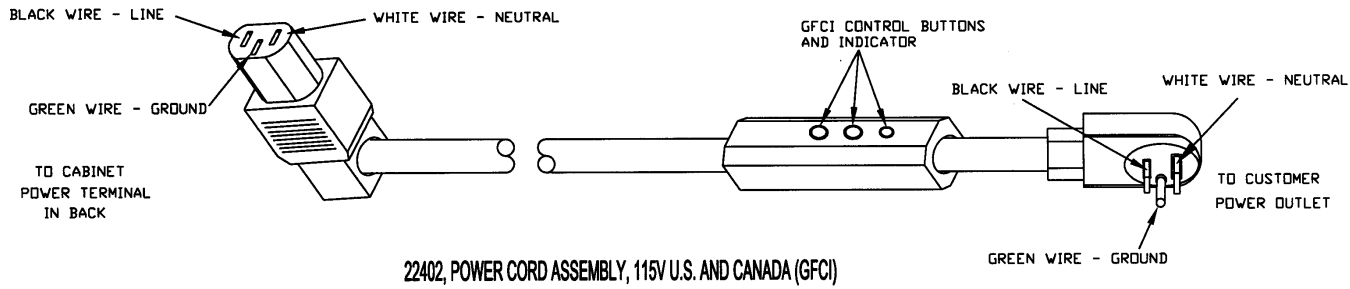
POS DISPLAY ILLUSTRATION

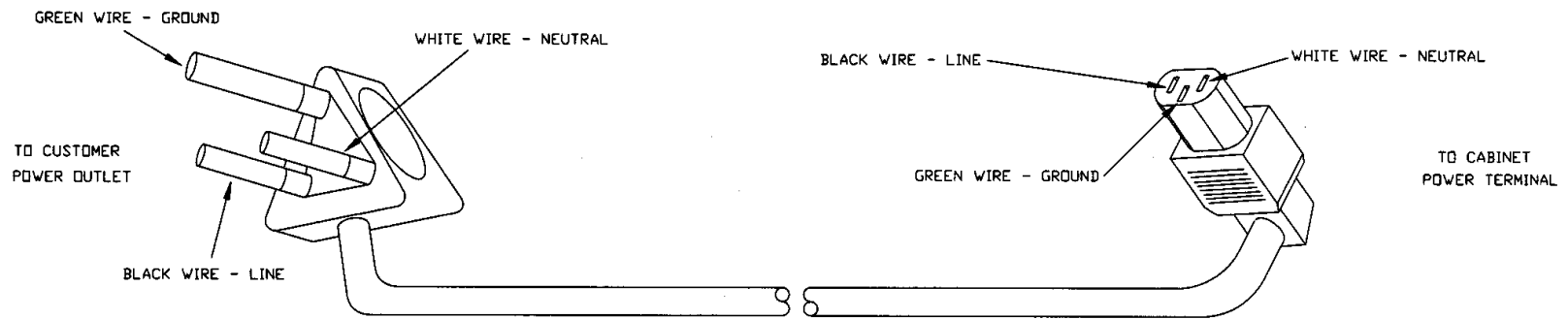


POS DISPLAY PARTS LIST

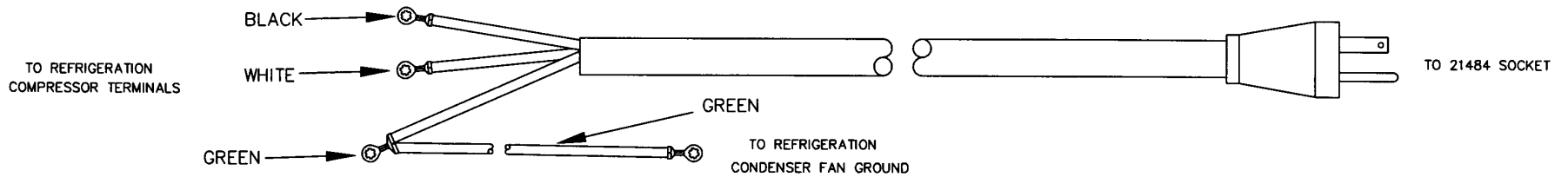
ITEM	PART NO.	PART DESCRIPTION	NOTE
1	24322	POS DISPLAY INSERT	
2	24323	POS DISPLAY DIFFUSER	
3	24329	LED BOARD	
4	24767	POS DISPLAY CARD (AMS)	ENGLISH
	24768	POS DISPLAY CARD (IAMS)	SPANISH
5	24339	LIGHT BOX ASSEMBLY	
6	3029-02	BUSHING	

ELECTRICAL HARNESS ILLUSTRATIONS

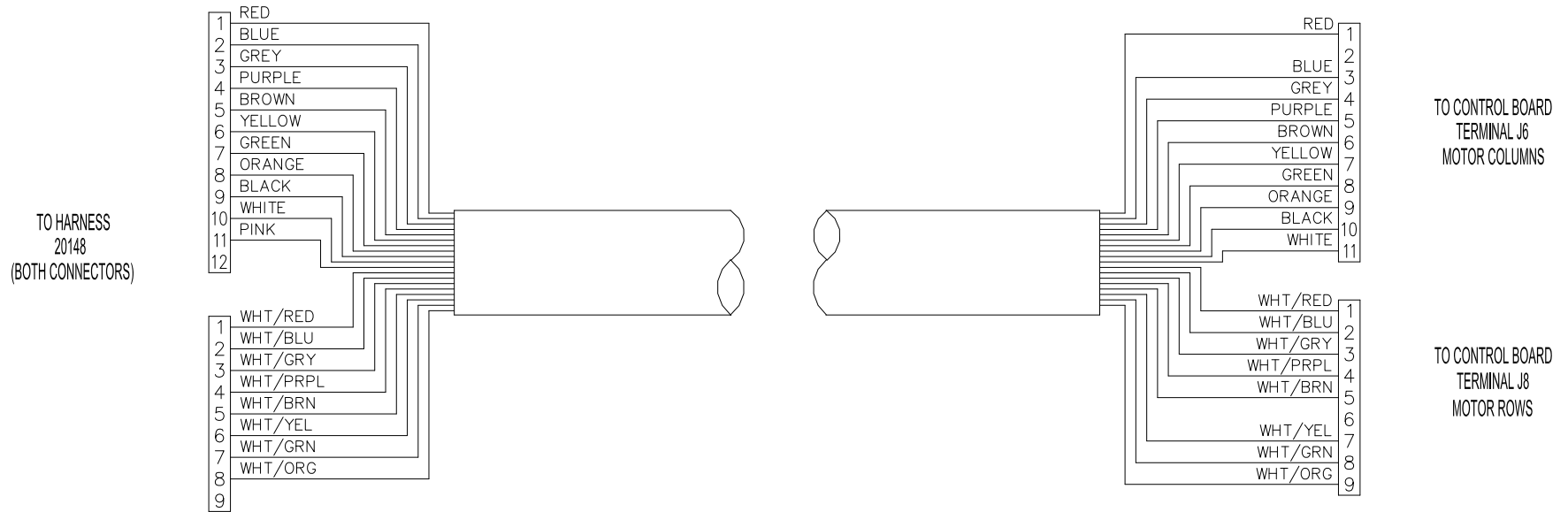




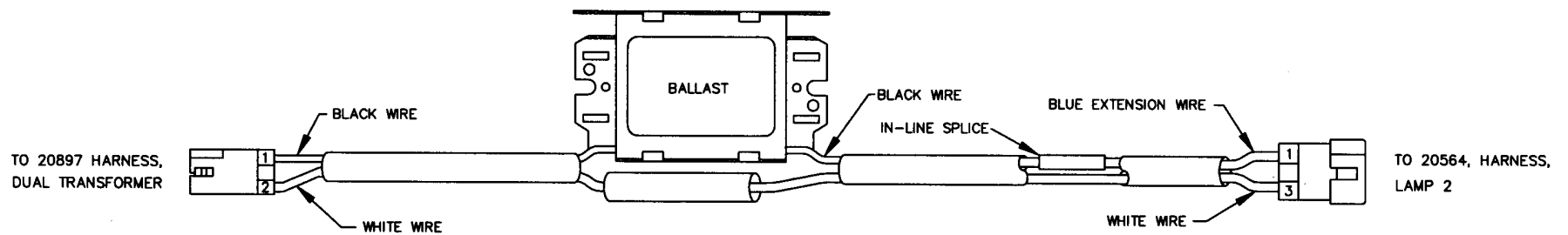
3208 POWER CORD, INDIA AND SOUTH AFRICA



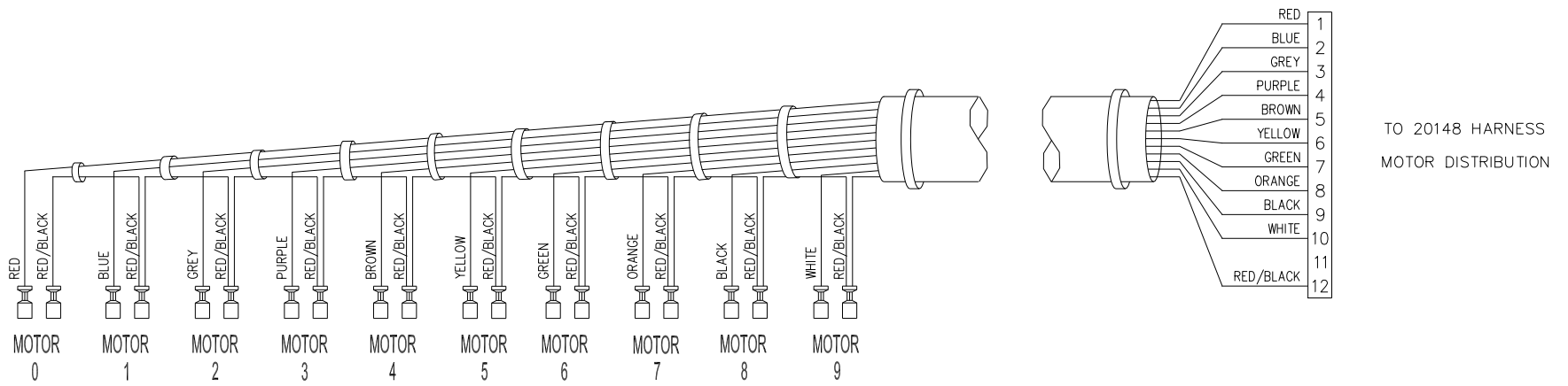
20144, HARNESS, REFRIGERATION



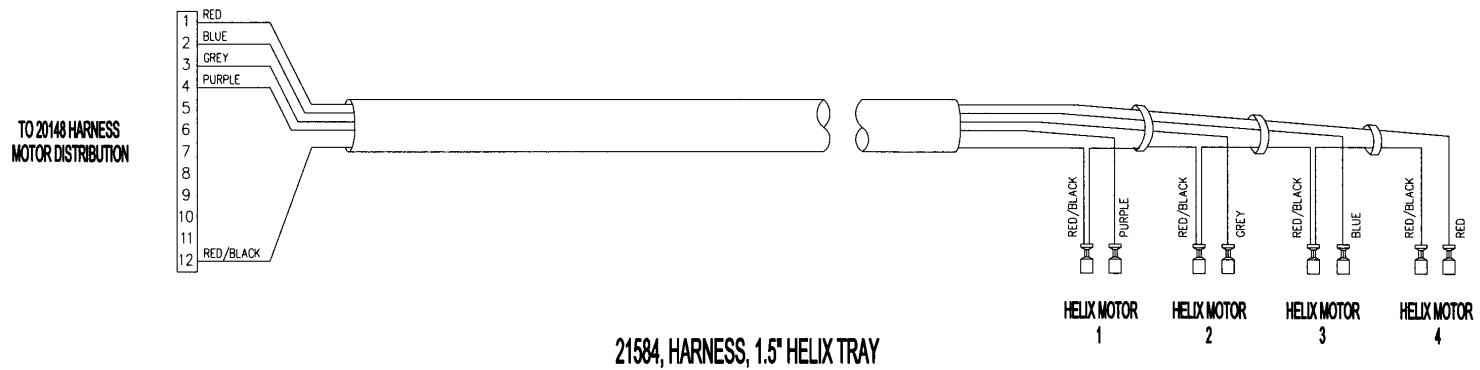
20146, HARNESS, DOOR MOTORS



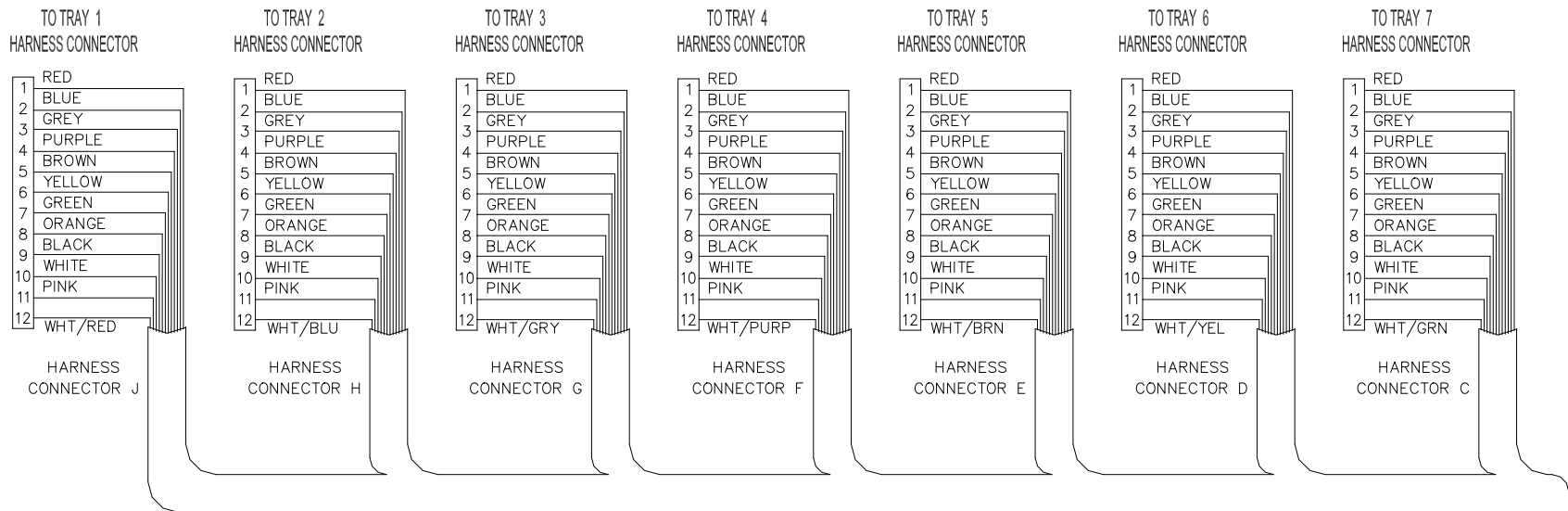
20563, HARNESS, BALLAST ASSEMBLY 2



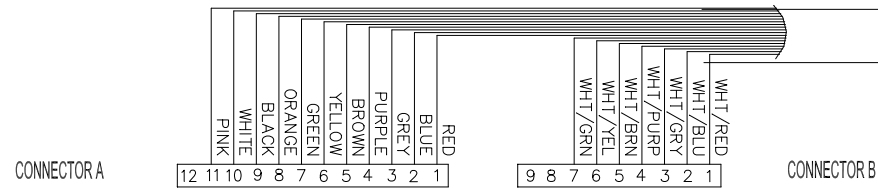
20147, HARNESS, TRAY, 10 COLUMN



21584, HARNESS, 1.5" HELIX TRAY

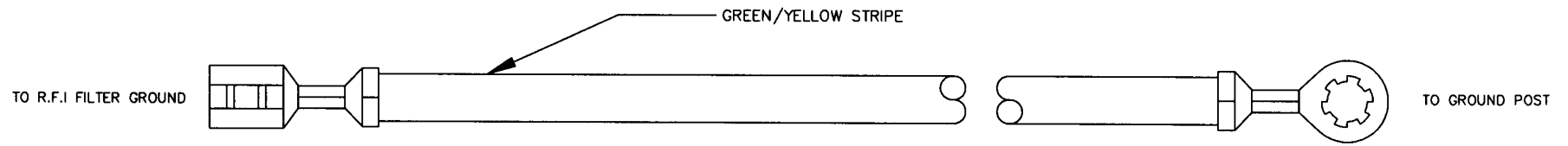


(CONNECTOR A IS JUMPERED TO ALL CONNECTORS TO TRAYS, PINS 1 -11)

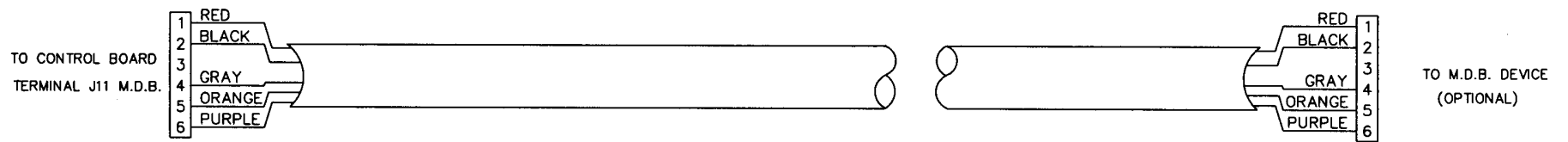


CONNECTOR A AND B TO 20146 HARNESS, DOOR MOTOR

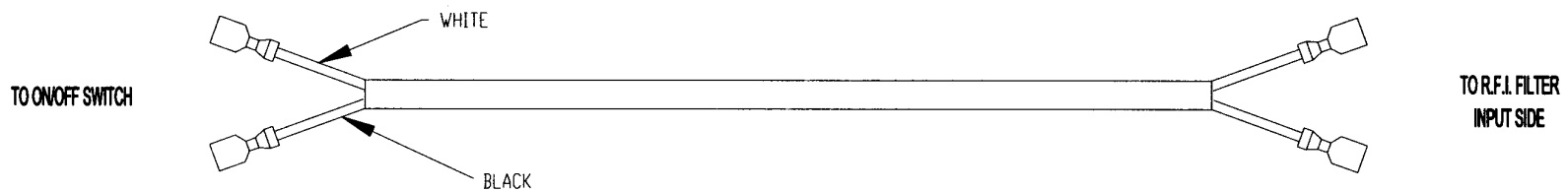
20148, HARNESS, MOTOR DISTRIBUTION



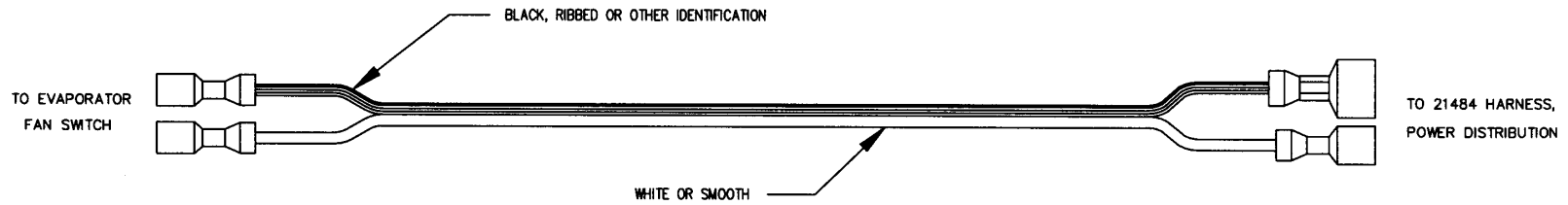
20154, HARNESS, R.F.I. FILTER GROUND



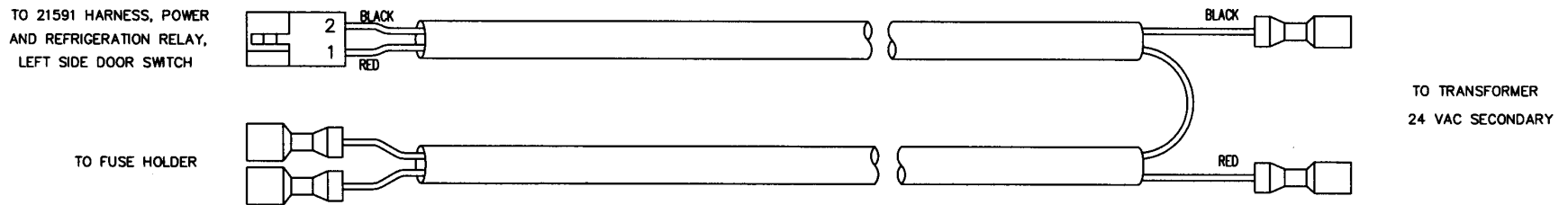
20158, HARNESS, MULTI-DROP BUS



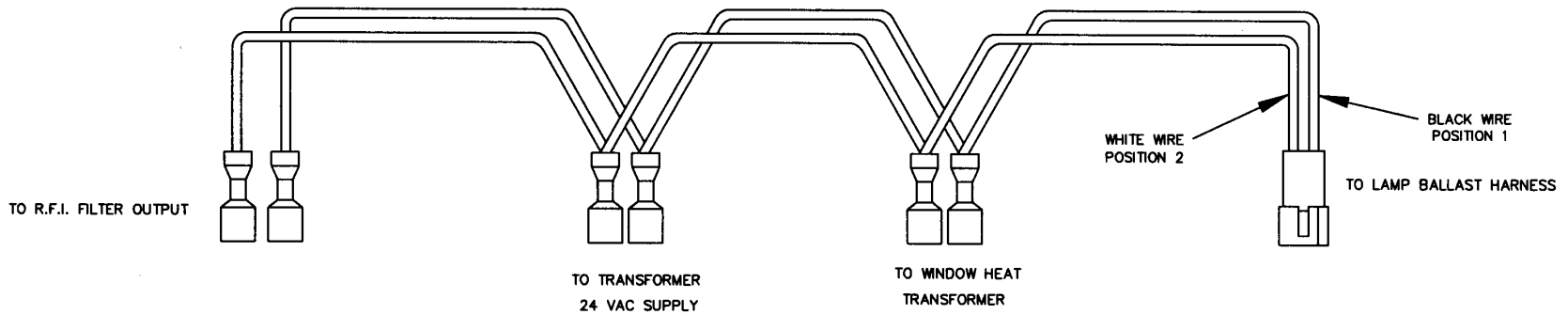
21485, HARNESS, ON/OFF SWITCH



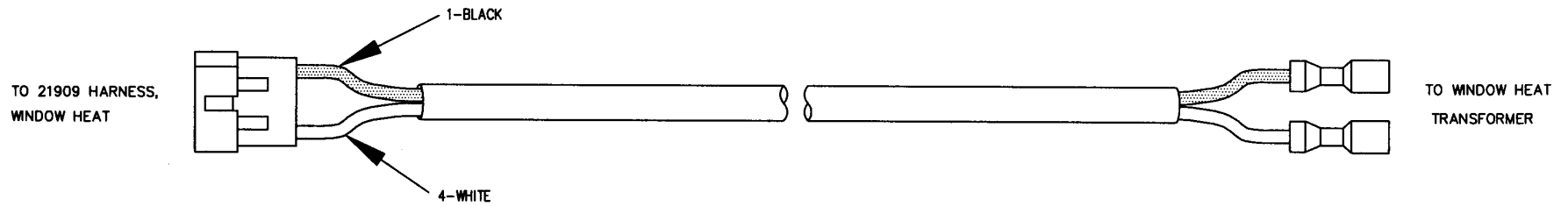
20698, HARNESS, EVAPORATOR FAN SWITCH



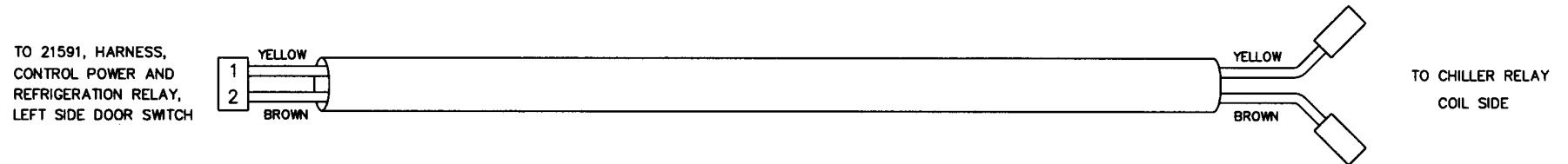
20701, HARNESS, TRANSFORMER AND FUSE



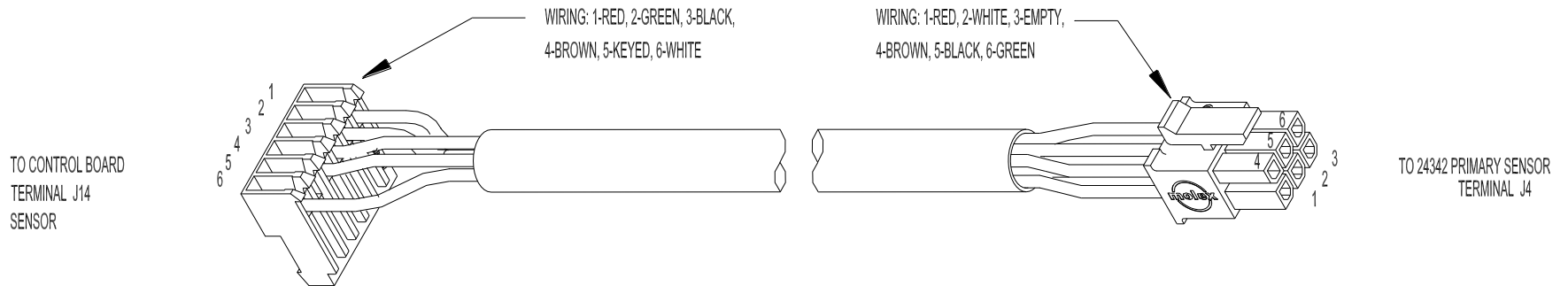
20897, HARNESS, DUAL TRANSFORMER



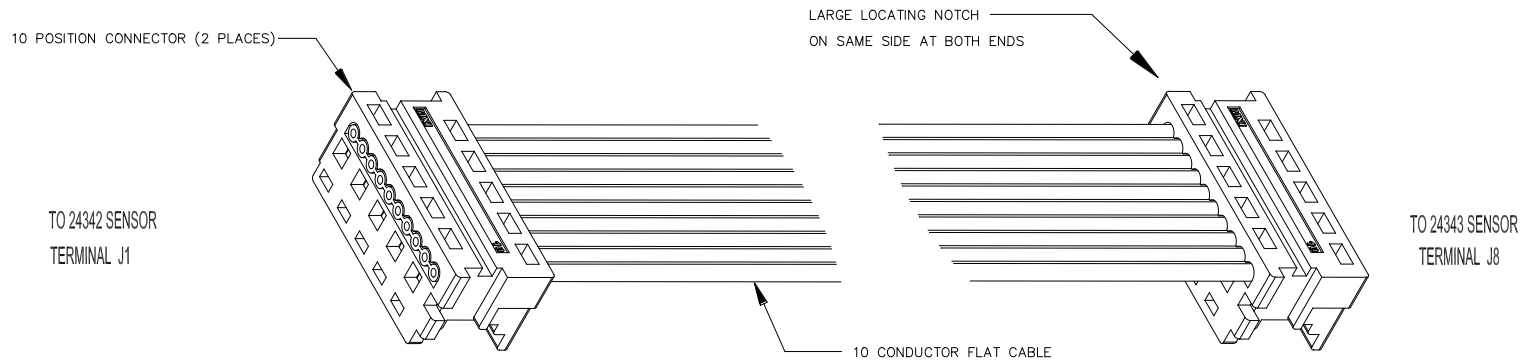
20899, HARNESS, WINDOW HEATER TRANSFORMER



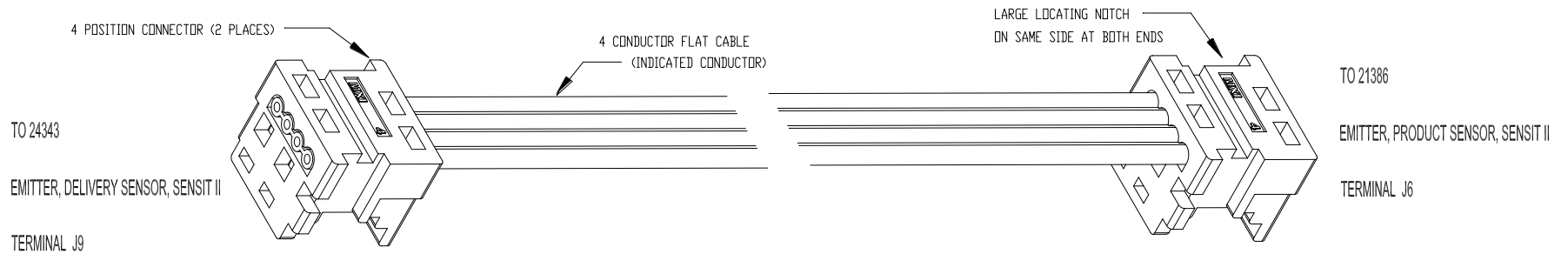
21405, HARNESS, REFRIGERATION RELAY, T9A SERIES



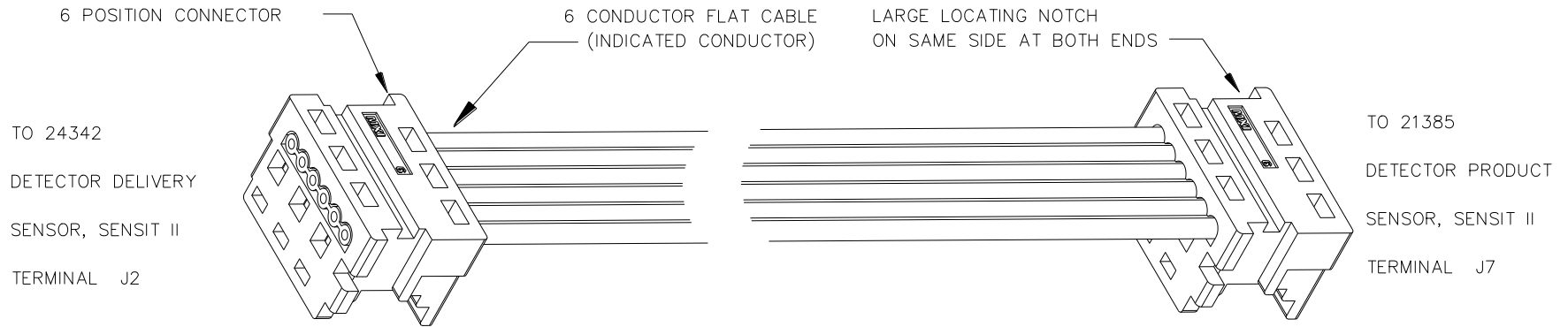
21425 HARNESS, DELIVERY SENSOR DETECTOR/CONTROL, SENSIT II



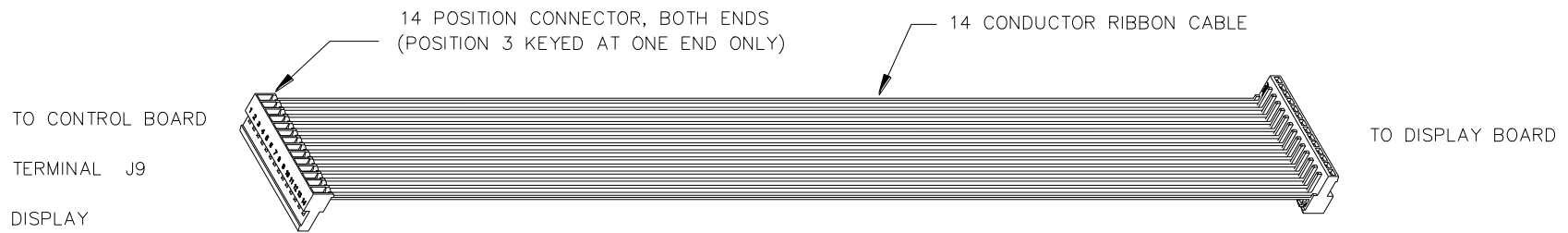
21426 HARNESS, DELIVERY SENSOR DETECTOR/EMITTER, SENSIT II



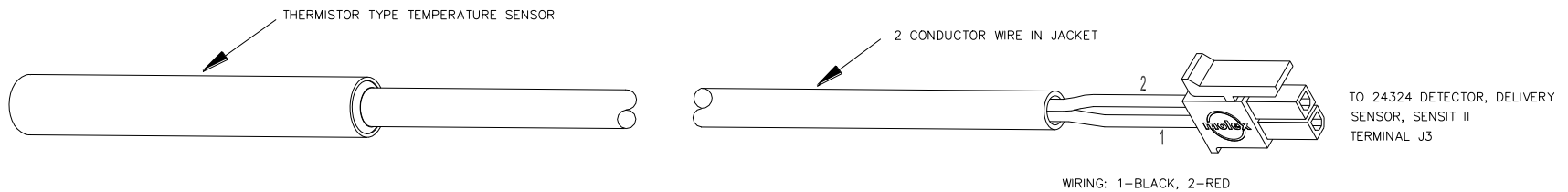
21427 HARNESS, PRODUCT SENSOR EMITTER, SENSIT II



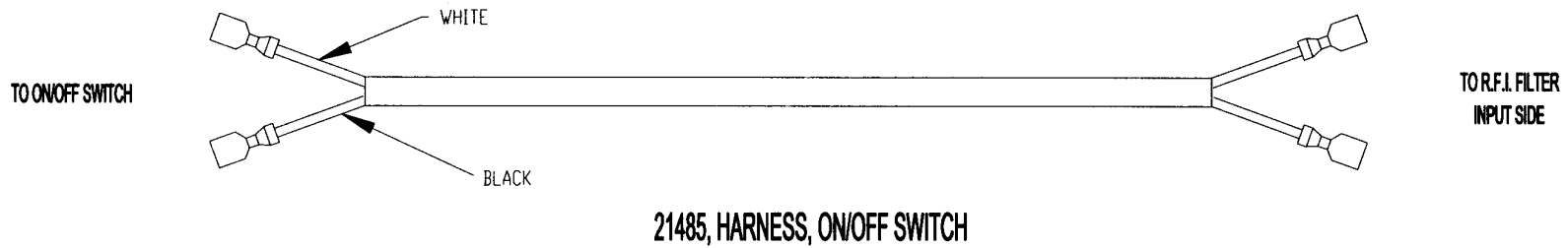
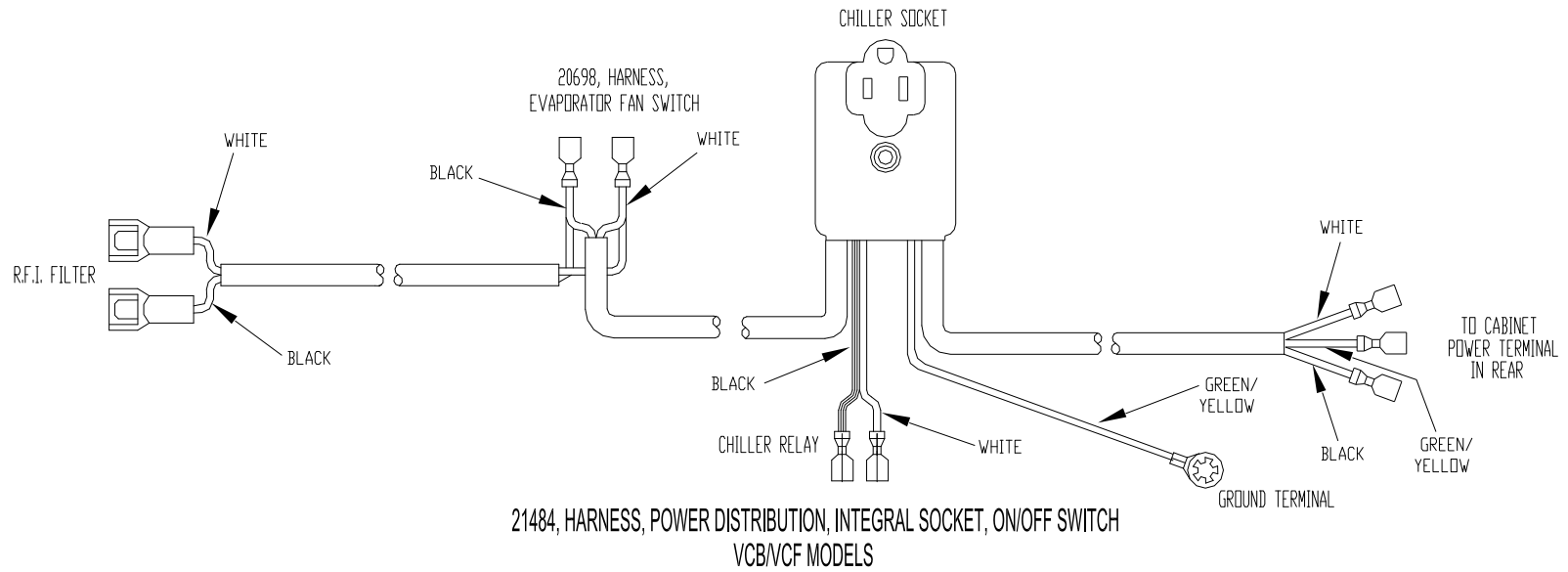
21428, HARNESS, PRODUCT SENSOR DETECTOR, SENSIT II (OPTIONAL)

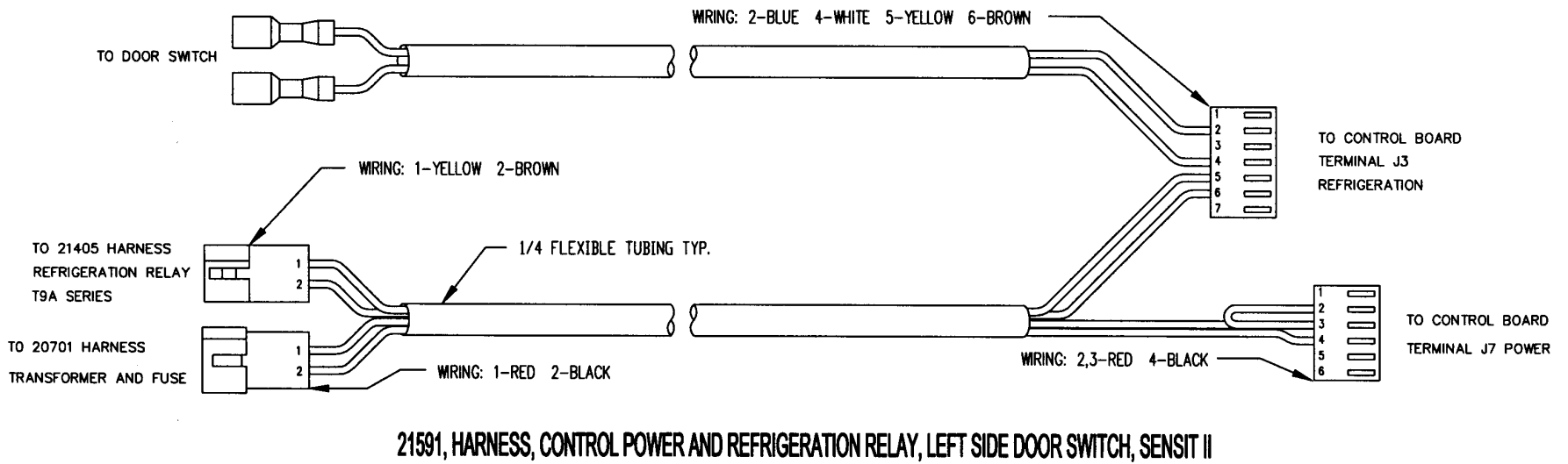
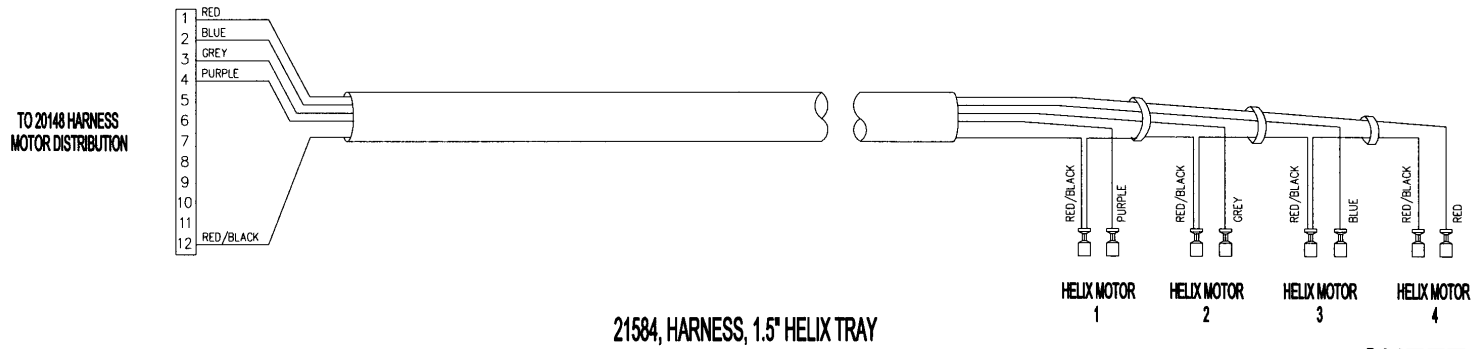


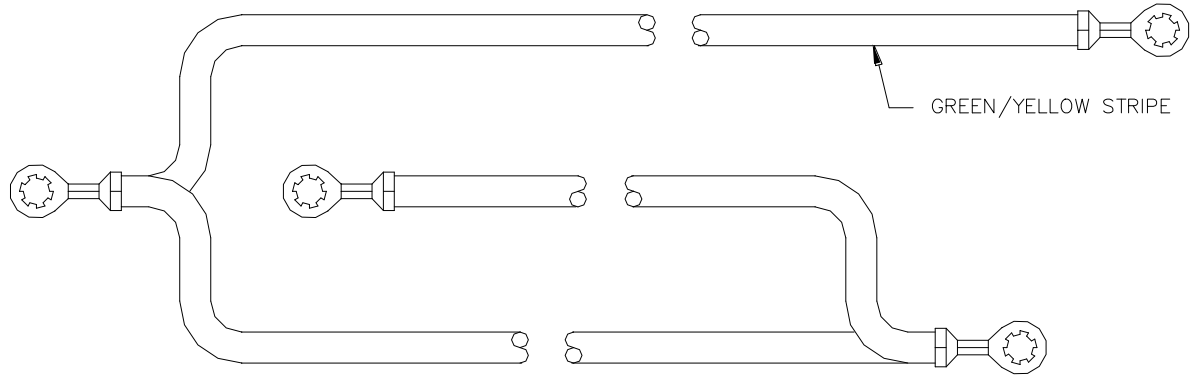
24015 HARNESS, DISPLAY



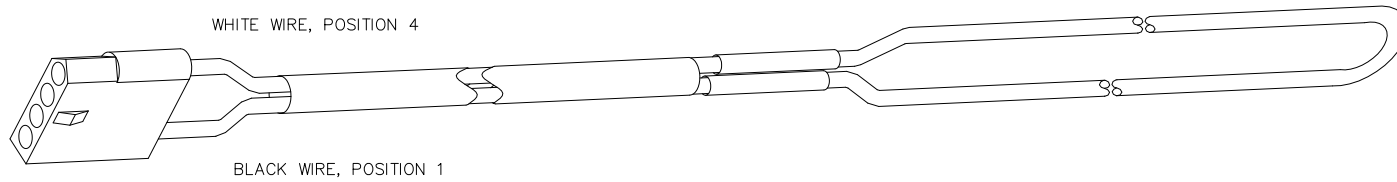
21468 TEMPERATURE SENSOR, SENSIT II



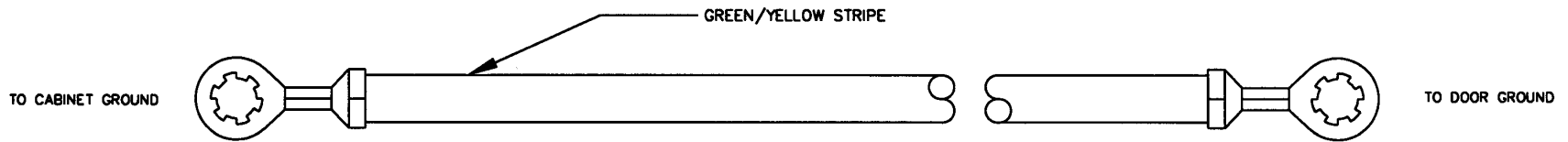




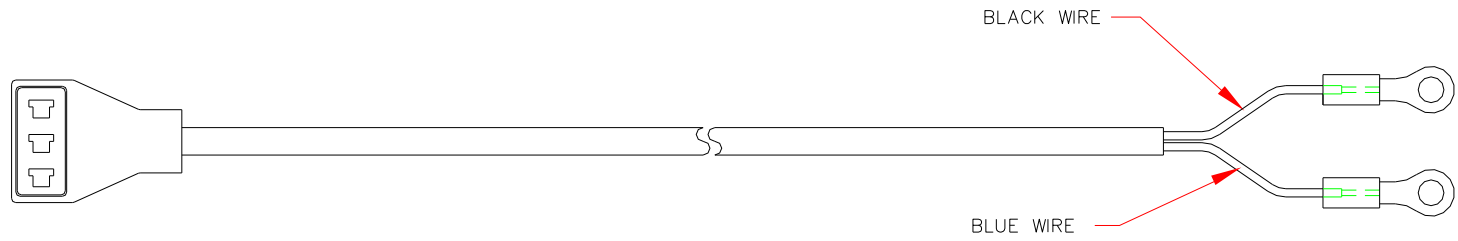
21978 HARNESS, GROUND, EMITTER/DETECTOR



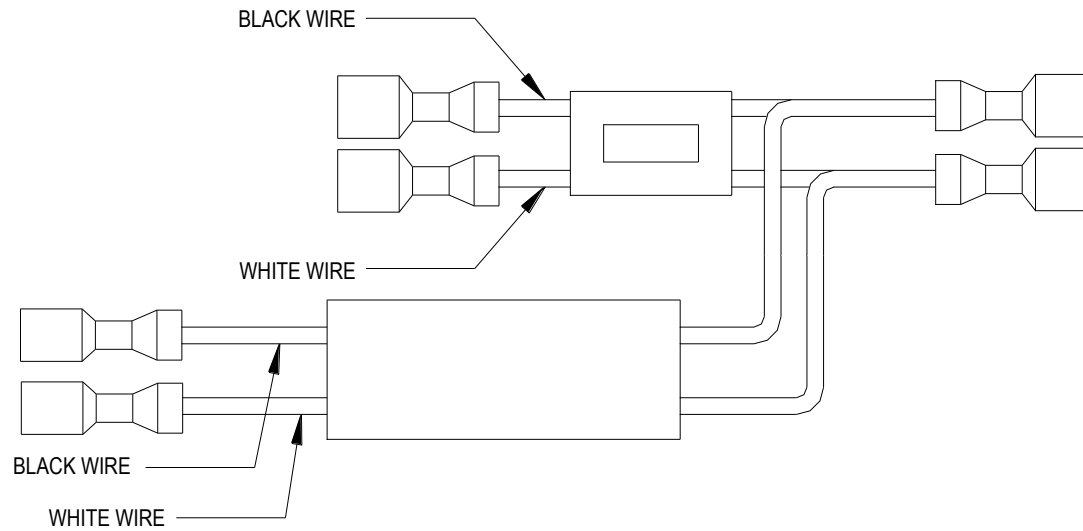
24617 HARNESS, WINDOW HEAT, LOW TEMP (LB/LC9 MODELS)
25209 HARNESS, WINDOW HEAT, LOW TEMP (LB9-ADA)



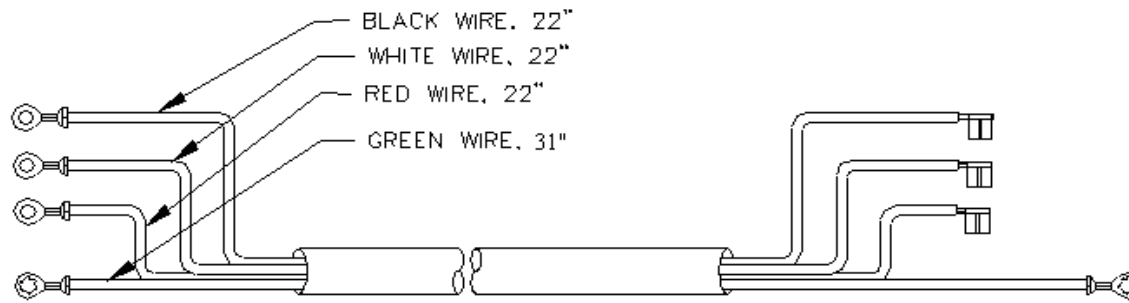
20156-01, HARNESS, GROUND



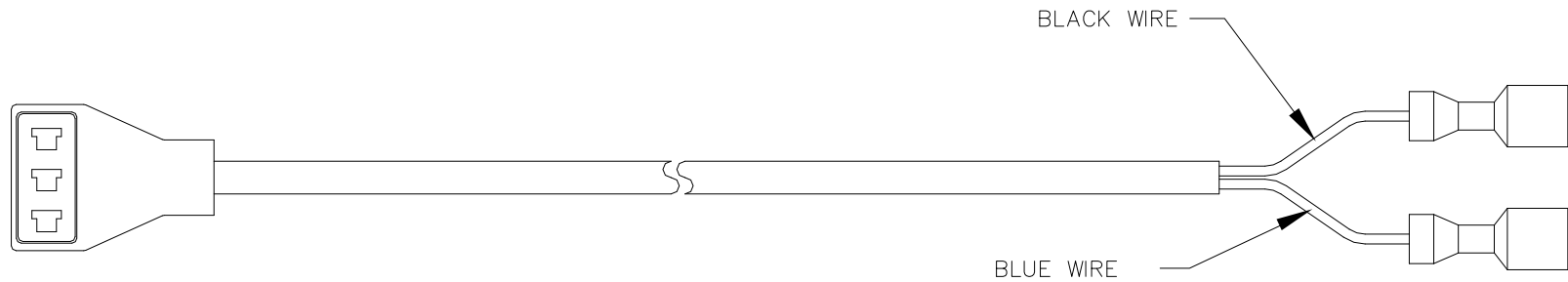
22470 HARNESS, CONDENSER FAN, LB/LC MODELS



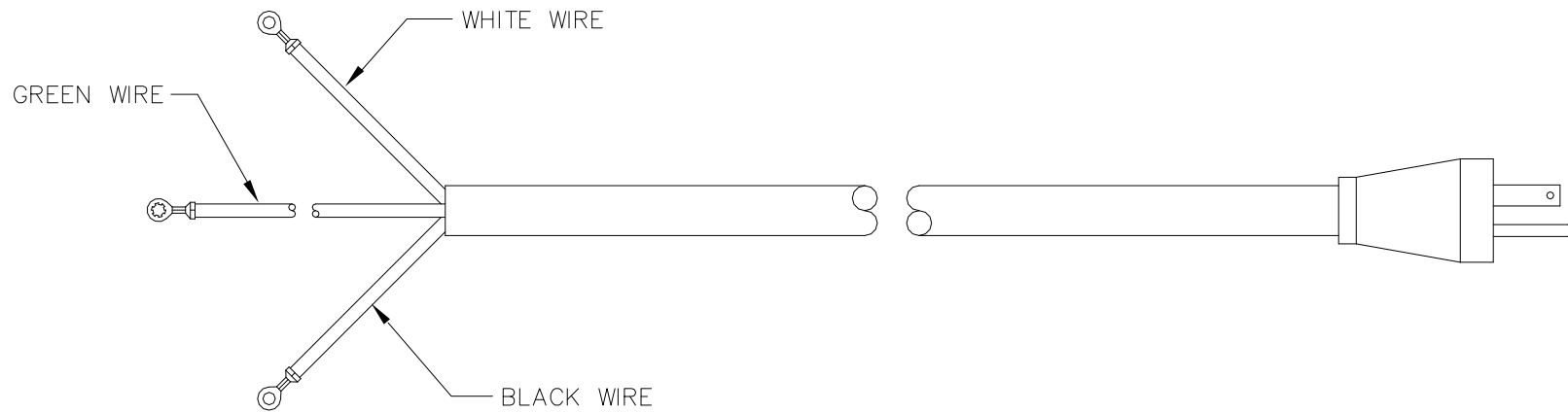
23625, HARNESS, DUAL TRANSFORMER, NO BALLAST



24785, HARNESS LB/LC COMPRESSOR



22469, HARNESS, EVAPORATOR FAN, LB/LC MODELS.

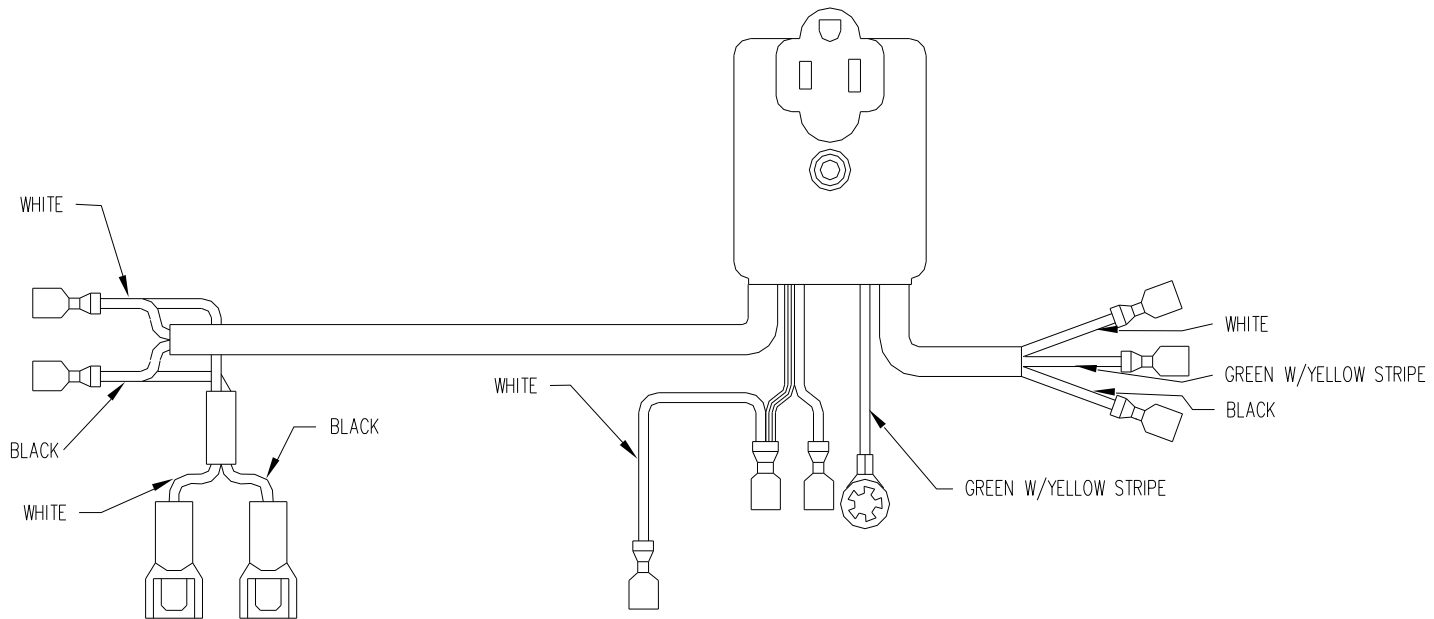


22653, HARNESS, REFRIGERATION, LB/LC MODELS



BLACK

22462, HARNESS, RELAY - CAPACITOR



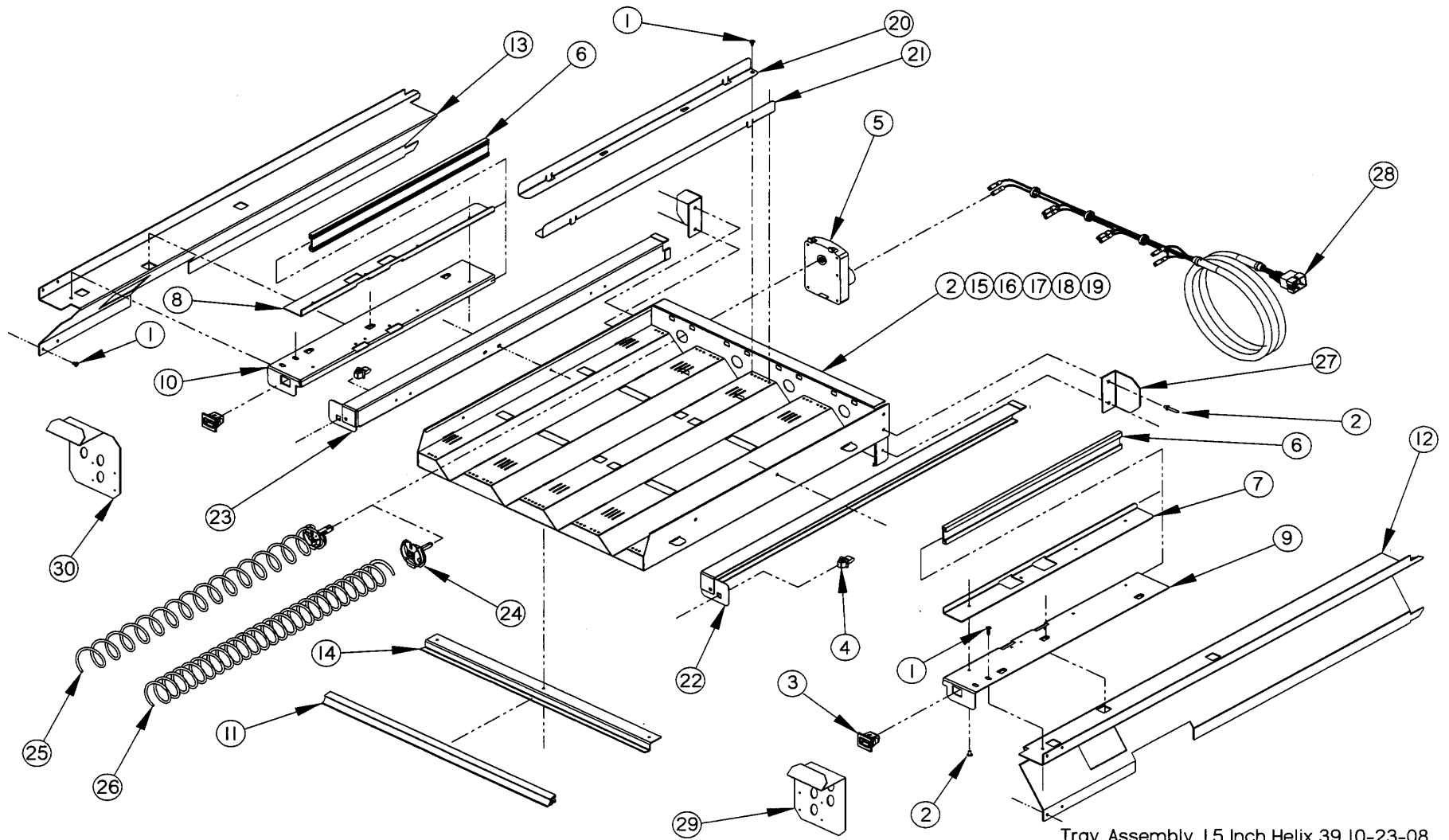
22815, HARNESS, POWER DISTRIBUTION, LB/LC MODELS

ELECTRICAL HARNESS PARTS LIST		
PART NO.	PART DESCRIPTION	NOTES
22402	POWER CORD ASSEMBLY, 115V U.S. & CANADA	
3173	POWER CORD, AUSTRALIA	
3194	POWER CORD, U.K. & IRELAND	
3208	POWER CORD, INDIA & SOUTH AFRICA	
20144	REFRIGERATION HARNESS	
20146	DOOR MOTORS HARNESS	
20147	10 COLUMN TRAY HARNESS	
20148	MOTOR DISTRIBUTION HARNESS	
20154	RFI FILTER GROUND	
20158	MULT-DROP BUSS HARNESS	
20563	BALLAST ASSEMBLY	OPTIONAL LIGHTING ITEM
20698	EVAPORATOR FAN HARNESS	
20701	TRANSFORMER AND FUSE HARNESS	
20897	DUAL TRANSFORMER HARNESS	
20899	WINDOW HEATER TRANSFORMER HARNESS	NOT ON LB5/LC5 MODELS
21405	REFRIGERATION RELAY HARNESS	
21425	DELIVERY SENSOR HARNESS	
21426	DELIVERY SENSOR DETECTOR/EMITTER HARNESS	
21427	PRODUCT SENSOR EMITTER HARNESS	
21428	PRODUCT SENSOR DETECTOR	OPTIONAL ITEM
21978	HARNESS, GROUND, EMITTER/DETECTOR	
24015	DISPLAY HARNESS	
21468	TEMPERATURE SENSOR	
21484	POWER DISTRIBUTION HARNESS	VCB/VCF MODELS
21485	ON/OFF SWITCH HARNESS	
21584	1.5"HELIX TRAY HARNESS	
21591	CONTROL POWER AND REFRIGERATION HARNESS	
24617	WINDOW HEATER HARNESS	NOT ON LB5/LC5 MODELS
20156-01	GROUND HARNESS	

ELECTRICAL HARNESS PARTS LIST (cont.)

22470	CONDENSER FAN HARNESS (LB/LC MODELS)	
23625	DUAL TRANSFORMER, NO BALLAST HARNESS	
22469	EVAPORATOR FAN HARNESS (LB/LC MODELS)	
24785	HARNESS, LB/LC COMPRESSOR	
22462	RELAY, CAPACITOR HARNESS	
22653	REFRIGERATION HARNESS (LB/LC MODELS)	
22815	POWER DISTRIBUTION HARNESS (LB/LC MODELS)	

1.5" HELIX TRAY ILLUSTRATION



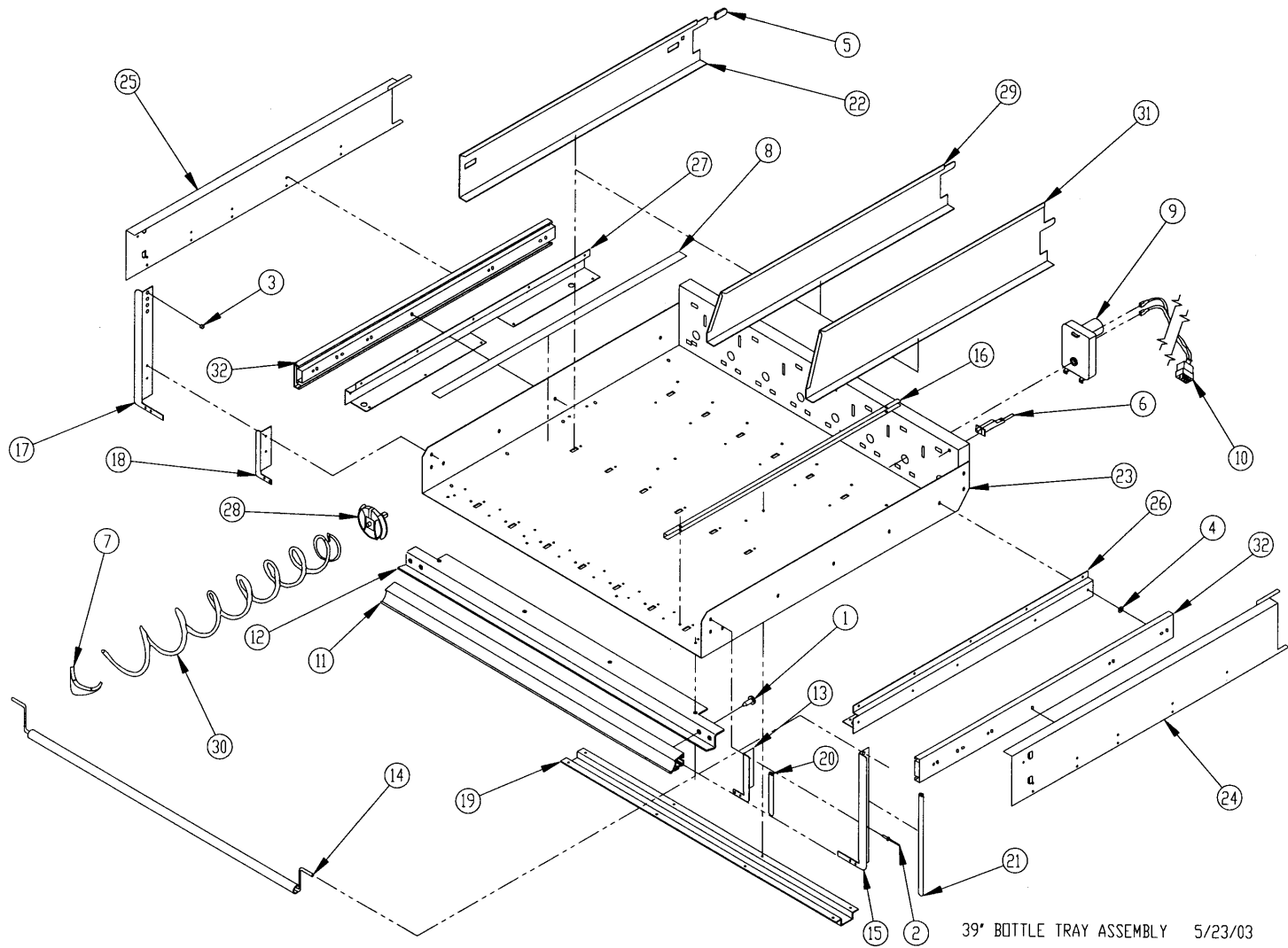
Tray, Assembly, 1.5 Inch Helix 39 10-23-08

1.5" HELIX TRAY ASSEMBLY PARTS LIST

ITEM NO	PART NO.	PART NAME	QTY	NOTES
1	3000	Screw, TEK 8-18	18	
2	3009-02	Rivet, Pop, Steel, 1/8	34	
3	3246	Latch, Nylon, Gum and Mint	2	
4	3247	Strike, Nylon, Gum and Mint	2	
5	23007	Motor, w/Home Circuit	4	
6	20236	Extrusion, Gum and Mint Rail	2	
7	20237	Extrusion Mount, Upper (Gum and Mint)(Right Side)	1	
8	20237-01	Extrusion Mount, Upper (Gum and Mint)(Left Side)	1	
9	20238	Extrusion Mount, Lower (Gum and Mint)(Right Side)	1	
10	20238-01	Extrusion Mount, Lower (Gum and Mint)(Left Side)	1	
11	20465-04	Extrusion, Price Marker, Reduced Height	1	
12	20973	Rail, Gum and Mint, Reduced Depth (39")(Right Side)	1	Rails To Fit Tray To 39" Cabinet
13	20973-01	Rail, Gum and Mint, Reduced Depth (39")(Left Side)	1	
14	21196	Doubler, Tray 1.5" Helix Tray	1	Parts Are Factory Assembled As A Unit
15	21197	Tray Body, 1.5" Helix Tray	1	
16	21199	Tray Back, 1.5" Helix Tray	1	
17	21200	Tray Inner Side, 1.5" Helix Tray	2	
18	21201	Tray Inner Section, 1.5" Helix Tray	2	
19	21202	Tray Inner Mid Section, 1.5" Helix Tray	1	
20	21203	Divider, Tray, 1.5" Helix Tray, RH	4	
21	21203-01	Divider, Tray, 1.5" Helix Tray, LH	4	
22	21204	Tray Slide Channel, 1.5" Helix Tray, RH	1	
23	21204-01	Tray Slide Channel, 1.5" Helix Tray, LH	1	
24	21206	Helix Adapter, 1.5" Helix Tray	4	
25	21207-15	Helix, 1.5" Tray, Counterclockwise, Black	2	Tray is Equipped With Two Of Each
26	21207-25	Helix, 1.5" Tray, Counterclockwise, Black	2	
27	21523	Bracket, Stop, 1.5" Helix Tray	2	
28	21584	Harness, 1.5" Helix Tray	1	
29	22387	Deflector Plate, 1.5" Helix Tray, 1-1/2 CF. Hopper (39")	1	RH, Mount On Hopper For 1.5 Tray Only
30	22387-01	Deflector Plate, 1.5" Helix Tray, 1-1/2 CF. Hopper (39")	1	LH, Mount On Hopper For 1.5 Tray Only

General Note: The 1.5 Helix Tray has replaced the 20668 Gum and Mint Tray.

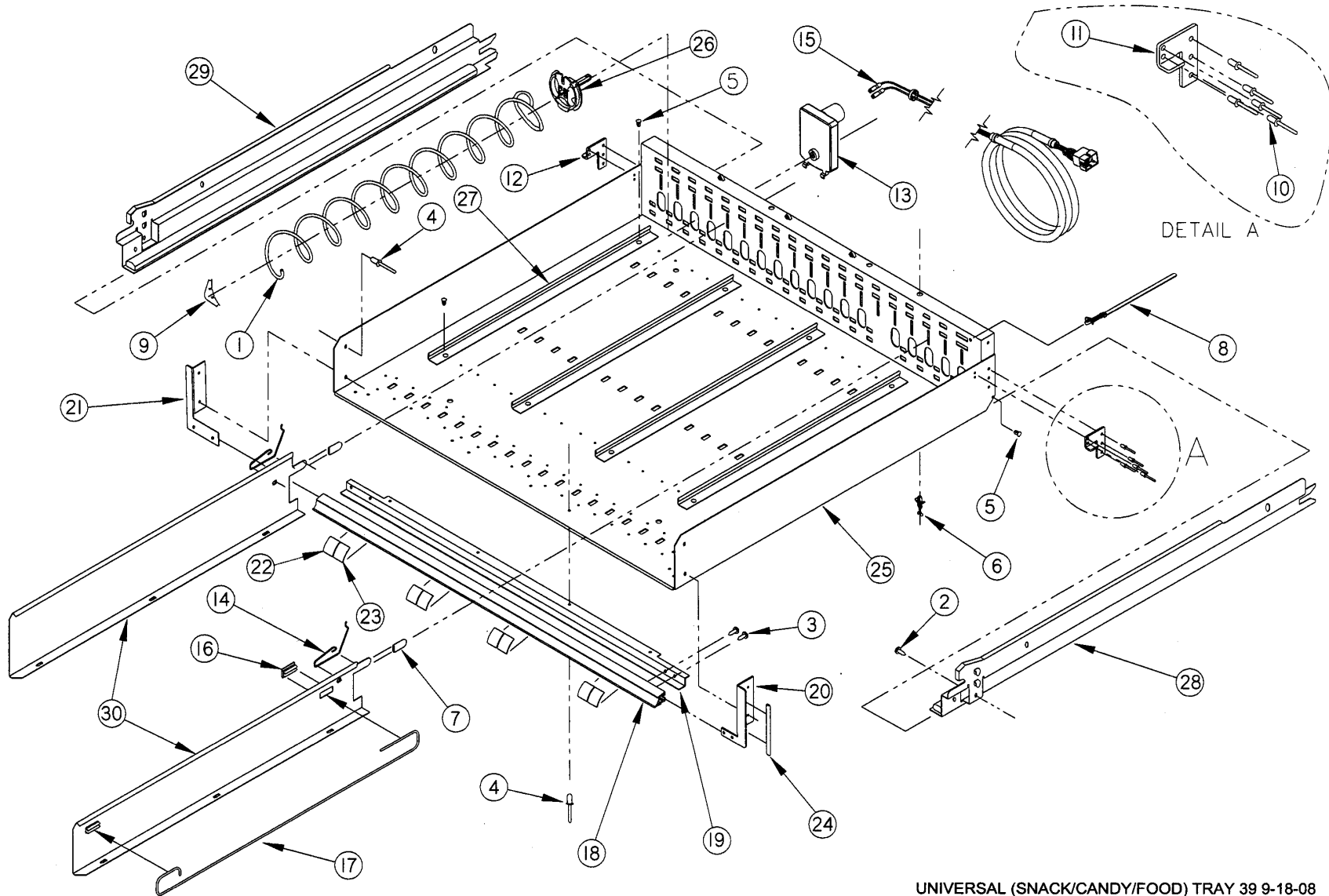
BOTTLE TRAY ILLUSTRATION



BOTTLE TRAY PARTS LIST

ITEM	PART NO	PART DESCRIPTION	NOTE
1	3001-03	Screw, Sheet Metal, Type B, 8-18	
2	3009-02	Rivet, Pop, Steel, 1/8	
3	3015	Bearing, Nyliner, Snap-In	Use On 20691 And 20724 for Bottle Tipper
4	3017-05	Washer, Flat Steel	
5	3021	Protective Cap, Vinyl	Obsolete Part
6	3042-01	Wire Tie, Panel Mount	
7	3111	Helix Ejector, Small Helix	
8	3189-01	Tape, UHMW Polyethylene, 3/4" X .005"	
9	20086	Motor, Single Helix W/O Switch	
10	20147	Harness, Tray, 8 Column	
11	20465-03	Extrusion, Price Marker, Ver. 2	
12	20644	Tray Doubler, Bottle (39")	
13	20672	Tray Corner, Bottle, Right	Use With 20690 Without Bottle Tipper
14	20690	Assembly, Bottle Tipper Bar	
15	20691	Tray Corner, Bottle Tipper Bar, Right	Use With 20690 For Bottle Tipper
16	20692	Device, Bottle Alignment	
17	20724	Tray Corner, Bottle Tipper Bar, Left	Use With 20690 For Bottle Tipper
18	20725	Tray Corner, Bottle, Left	Use With 20690 Without Bottle Tipper
19	20775	Tray Reinforcement, Bottle (39") Ver. 2	
20	20796-01	Edge Guard, Tray Corner (Only RH)	Use On 20672 Without Bottle Tipper
21	20796-02	Edge Guard, Tray Corner (Only RH)	Use On 20691 For Bottle Tipper
22	20956	Tray Divider, Reduced Depth (Square Front)	3.37" High (Optional Part)
23	20960	Tray Body, Bottle, Reduced Depth (39")	
24	20980	Rail, Bottle Tray, Reduced Depth (RH)	
25	20980-01	Rail, Bottle Tray, Reduced Depth (LH)	
26	20962	Bracket, Bottle Tray Rail, Reduced Depth (RH)	
27	20962-01	Bracket, Bottle Tray Rail, Reduced Depth (LH)	
28	20966	Helix Adapter, Without Hub	
29	21276	Tray Divider, Reduced Depth, Tapered Front	3.37" High
30	21336	Helix, 3" Counter-Clockwise	See Helix Description Section For Options.
31	21374	Tray Divider, Reduced Depth, Tapered Front, High	4.9" High (Optional Part)
32	21475-02	Rail Slide, Full Extension, 24"	1 Pair

SNACK/CANDY/FOOD TRAY ILLUSTRATION

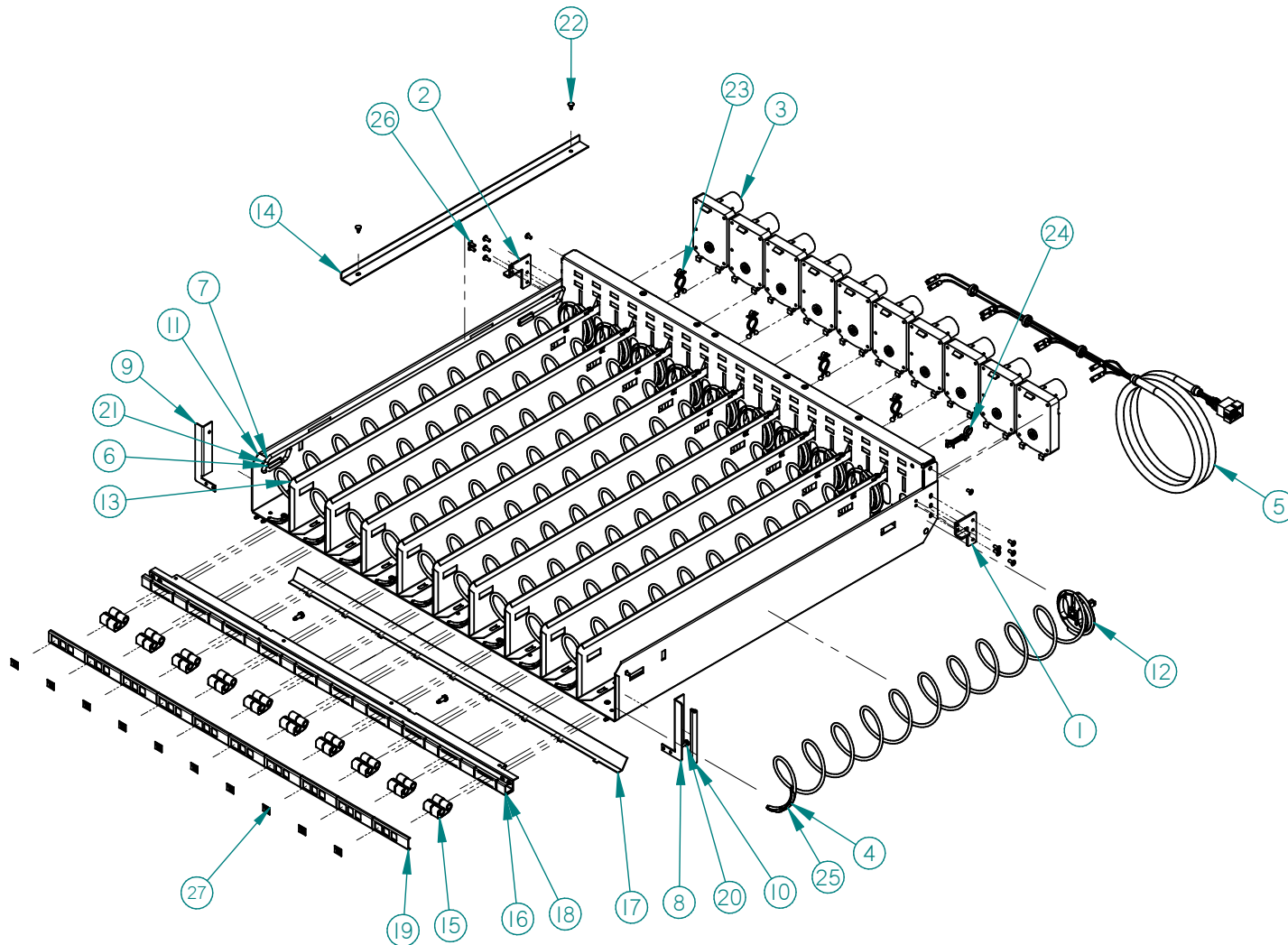


UNIVERSAL (SNACK/CANDY/FOOD) TRAY 39 9-18-08

SNACK/CANDY/FOOD TRAY PARTS LIST

ITEM NO	PART NO.	PART DESCRIPTION	NOTE
1	-----	Helix	1 Per Column - See Helix Section.
2	3000	Screw, Sheet Metal, 8-18	Safety Screws for Rails
3	3001-03	Screw, Sheet Metal, Type B, #8-18 (3/8" Long)	
4	3009-02	Rivet, Pop, Steel, 1/8 (1/8" Grip)	
5	3019	Canoe Clip	2 Per Helix Alignment Device
6	3020	Wire Tie, Standoff	
7	3021	Divider Cap	Obsolete Part
8	3042-01	Wire Tie, Panel Mount	
9	3111	Helix Ejector	
10	3295-03	Rivet, Steel, 1/8", Plated	Use for Tray Stop
11	20073	Tray Stop (Rh)	
12	20073-01	Tray Stop (Lh)	
13	23007	Motor, With Home Circuit	CCW
	23007-01	Motor, With Home Circuit	CW
14	20133	Tray Divider Spring	Per Divider
15	20147	Harness, Tray, 10 Column	
16	20220	Extrusion, Candy Pusher	Per Divider With Cut-outs
17	20221	Bar, Candy Pusher	Per Divider With Cut-outs
18	20465-01	Extrusion, Price Marker, Reduced Height	
19	20544	Tray Doubler, VER 2 (39")	
20	20545	Tray Corner, Ver. 2 (Rh)	
21	20545-01	Tray Corner, Ver. 2 (Lh)	
22	22909	Label Sheet, Reduced Height Location	
23	20614	Label Sheet, Reduced Height Price	
24	20796-01	Edge Trim, Tray Corner	Right Hand Corner Only
25	20955	Tray Body, Reduced Depth (39")	
	21045	Tray Body, Reduced Depth (35")	
26	20966	Helix Adapter, Without Hub	
27	22192	Helix Alignment Device, PVC	
28	22250	Assembly, Rail, Snack, Right	
29	22251	Assembly, Rail, Snack, Left	
30	23333	Tray Divider, VER 2, 3-3/8" High	Select Type, Numbers To Form Columns
	23334	Tray Divider, VER 2, 4-7/8"	Select Type, Numbers To Form Columns

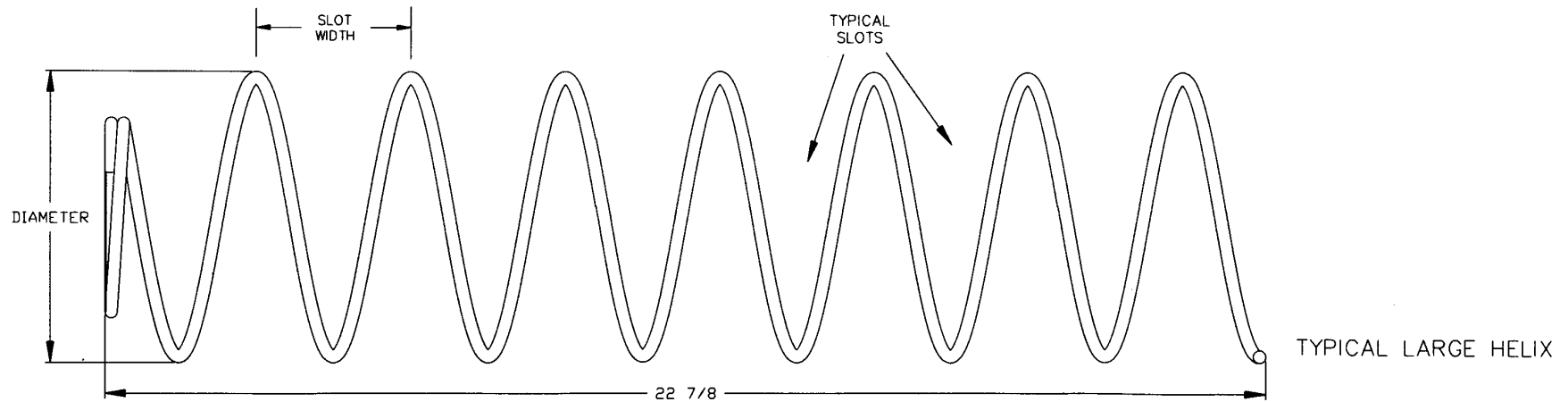
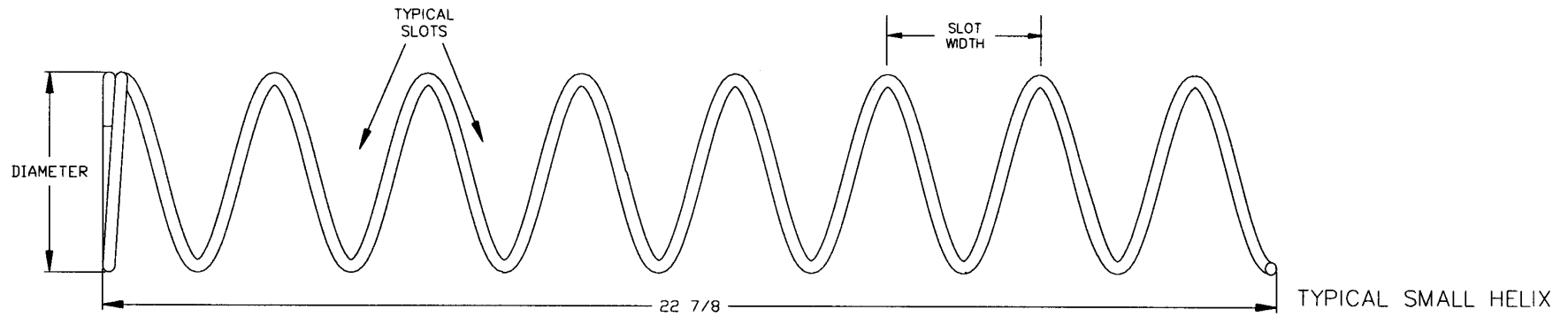
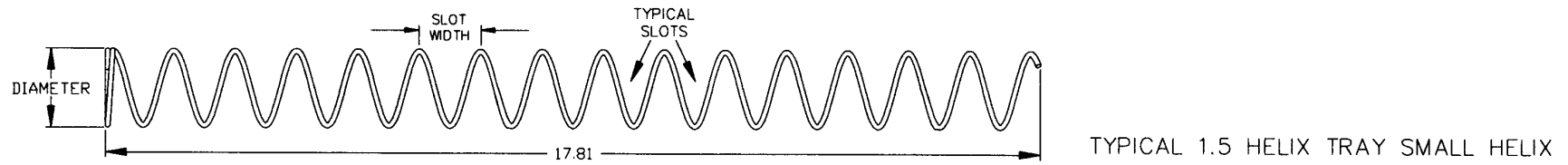
SCROLLING PRICE TRAY ILLUSTRATION



SCROLLING PRICE TRAY PARTS LIST

ITEM	PART NO.	PART DESCRIPTION	NOTE
1	20073	TRAY STOP	
2	20073-01	TRAY STOP LEFT	
3	23007	MOTOR, COUNTER CLOCKWISE	
	23007-01	MOTOR, CLOCKWISE	OPTIONAL
4	-----	HELIX	SEE HELIX TABLE
5	20147	HARNESS, TRAY 10 COLUMN	
6	20220	EXTRUSION, CANDY PUSHER	OPTIONAL
7	20021	BAR, CANDY PUSHER	OPTIONAL
8	20545	TRAY CORNER, RH	
9	20545-01	TRAY CORNER, LH	
10	20796-01	EDGE TRIM, TRAY CORNER	RIGHT HAND SIDE ONLY
11	20955	TRAY BODY (39")	
	21045	TRAY BODY (35")	
12	20966	HELIX ADAPTOR	
13	21138	DIVIDER, STANDARD, 3 3/8" High	
	21139	DIVIDER, HIGH, 4 7/8" High	OPTIONAL
	23664	DIVIDER, EXTRA HIGH, 8" High	OPTIONAL
14	22192	HELIX ALIGNMENT DEVICE	OPTIONAL
15	23322	SCROLL, PRICE LABEL, 1-20	
	23321	SCROLL, PRICE LABEL, .00-.95	
16	23785	TRAY STIFFENER	
17	23786	TRAY STIFFENER COVER	
18	23787	GUIDE	
19	23791	10 SELECT COVER	
	23791-01	10 SELECT COVER, NO WINDOWS	OPTIONAL, FOR DUAL HELIX SELECTION
20	3000	SCREW	
21	3009-02	RIVET	
22	3019	CANOE CLIP	
23	3020	WIRE TIE STANDOFF	
24	3042-01	WIRE TIE, PANEL MOUNT	
25	3111	HELIX EJECTOR	
26	3295-03	RIVET	
27	23292	LOCATION LABEL	

HELIX ILLUSTRATIONS



HELIX PARTS LIST

PART NO.	HELIX DESCRIPTION *	SLOT WIDTH	NUMBER OF SLOTS (PITCH)	HELIX OUTSIDE DIAMETER	TURNS	NOTE
20119-07	Helix, Small CW, Black	2 5/8	7	2.6	CW	Use With 20120-07 As A Set
20120-07	Helix, Small CCW, Black	2 5/8	7	2.6	CCW	
20119-10	Helix, Small CW, Black	1 7/8	10	2.6	CW	Use With 20120-10 As A Set
20120-10	Helix, Small CCW, Black	1 7/8	10	2.6	CCW	
20120-12	Helix, Small CCW, Black	1 7/8	12	2.6	CCW	
20120-15	Helix, Small CCW, Black	1 7/8	15	2.6	CCW	
20120-18	Helix, Small CCW, Black	1 7/8	18	2.6	CCW	
20120-24	Helix, Small CCW, Black	1 7/8	24	2.6	CCW	
21207-15	Helix, 1.5", CCW, Black	1	15	1.5	CCW	Use in 1.5" Helix Tray
21207-25	Helix, 1.5", CCW, Black	9/16	25	1.5	CCW	Use in 1.5" Helix Tray
21336	Helix, 3", CCW, Black	3.5	6	3	CCW	Bottle Tray
21337	Helix, 3", CCW, Black	3.2	6	3	CCW	Bottle Tray
21465-5	Helix, 3.75" CCW, Black	3 ¼	5	3.75	CCW	Large
21465-7	Helix, 3.75" CCW, Black	2 5/8	7	3.75	CCW	Large
21465-9	Helix, 3.75" CCW, Black	2	9	3.75	CCW	Large
21465-10	Helix, 3.75" CCW, Black	1 ¾	10	3.75	CCW	Large
21465-12	Helix, 3.75" CCW, Black	1 ½	12	3.75	CCW	Large
21465-15	Helix, 3.75" CCW, Black	1 ¼	15	3.75	CCW	Large

General Note: Please call AMS if a helix with a special pitch is required. Also, the quantity of helixes required depends on the vendor configuration.

