

Pepsi Cola 2005

Royal Vendors is dedicated to providing
the highest level of customer service in the industry.



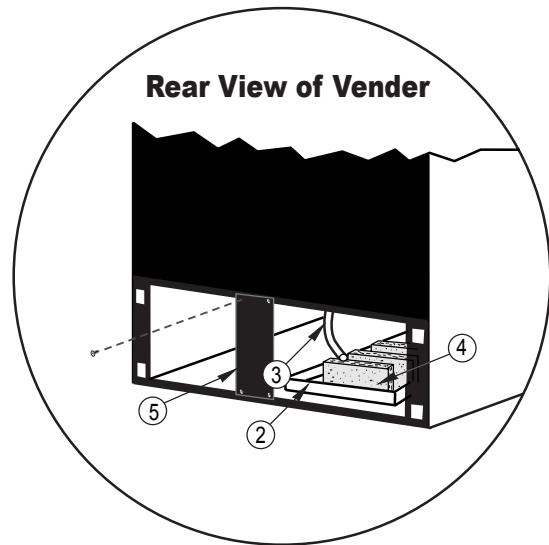
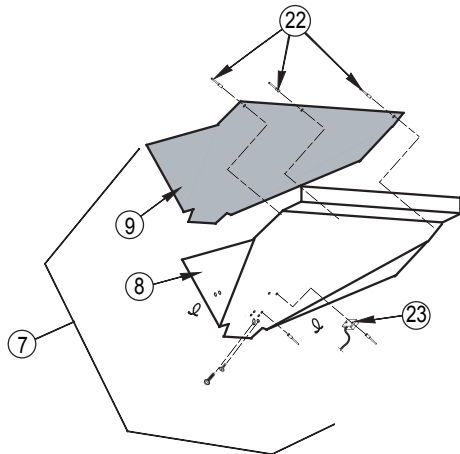
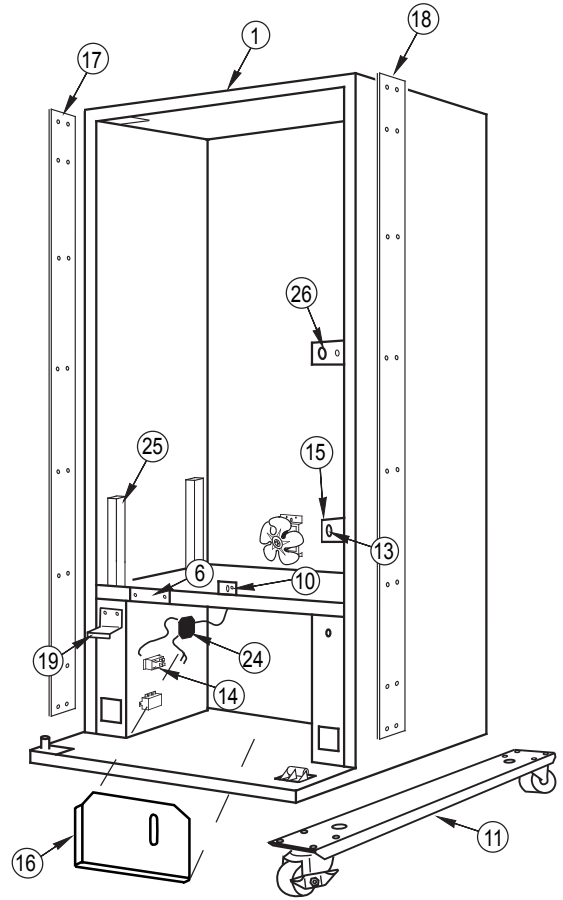
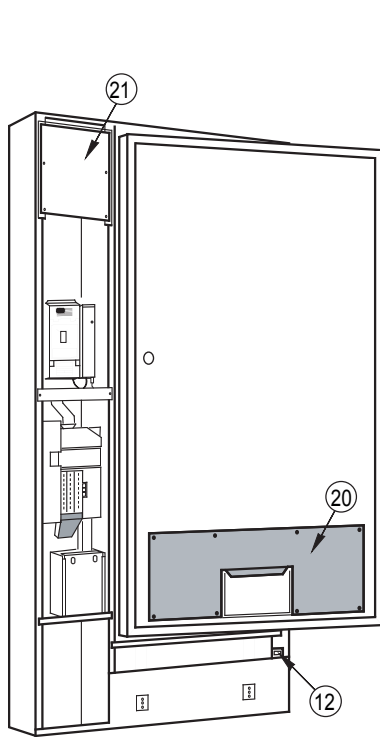
ROYAL VENDORS, INC
426 Industrial Boulevard
Kearneysville WV 25430

Customer Service:
1 . 8 0 0 . 9 3 1 . 9 2 1 4
3 0 4 . 7 2 8 . 7 0 5 6

TABLE OF CONTENTS

Cabinet	2
Hinge, Lifter, & T-Handle Assembly	4
Vend Mechanism Assembly	6
Evaporator Fan	9
Refrigeration	10
Door Assembly, Front	12
Door Assembly, Rear	14
Port	17
Changer	18
Vandal Resistant Door, Rear	20
Select Panel Assembly, Front	22
Inner Door	24
Electrical Connectors	26
Labels & Decals	26
Manuals	27
Screws, Bolts, Washers, Etc.	27
Shims	28
Locks and Keys	30
Wiring Harnesses	30
Control Boards / Chips	31
Electronic Accessories	32
Lock Covers	32
Changer Accessories	32
Kits and Assemblies	33
Stack Accessories	33

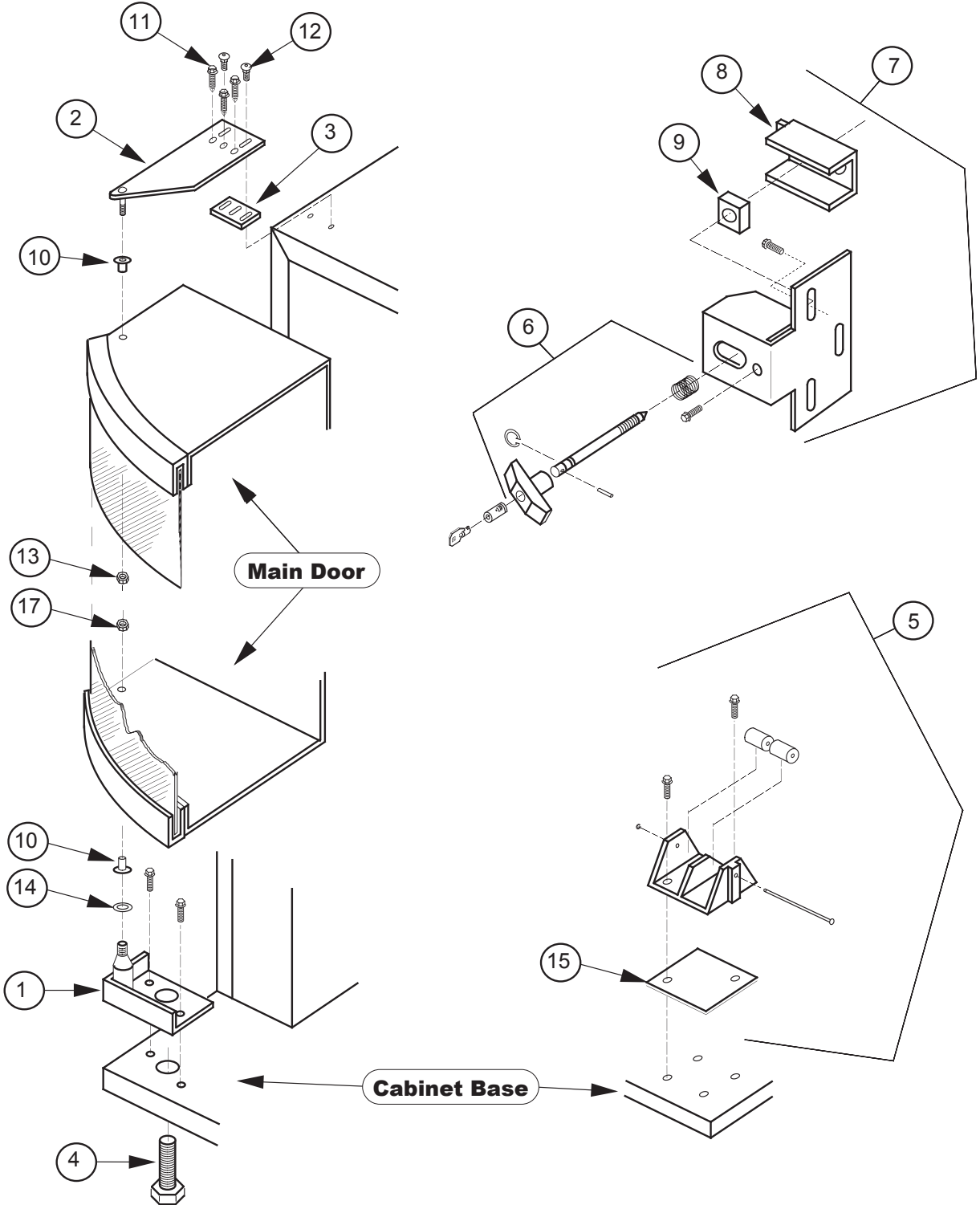
CABINET



CABINET

Item #	Part Name	Part Description	Part #
1	CABINET SHELL (FOAMED)	72" WV MERLIN 4	257220
	CABINET SHELL (FOAMED)	72" WIDE 2-DEEP (IDENTIFY COLOR)	011220
	CABINET SHELL (FOAMED)	72" 3-DEEP (IDENTIFY COLOR)	059210
	DRAIN TUBE ASSEMBLY	ALL VENDORS	141120
2	CONDENSATE PAN		815368
	LARGE DRAIN PAN	FOR A LARGER CONDENSATION PAN	011139
3	DRAIN HOSE	USE ALONG WITH DRAIN TUBE	925048
4	CELLULOSE SPONGE	FOR DRAIN PAN	815037
5	REAR BAFFLE	WIDE VENDORS	010188
	BACK SCREEN	WIDE	141001
6	WIRING COVER PLATE	LOCATED LEFT SIDE OF TANK	010002
	THERMOSTAT BRACKET W/A	ALL EXCEPT MERLIN III	010020
7	CAN CHUTE ASSY	WV MIV LESS SENSOR	256070
	WIDE CAN CHUTE ASSEMBLY	2 DEEP MERLIN & REG LESS SENSOR	010060
	WIDE CAN CHUTE ASSEMBLY	3 DEEP MERLIN & REG LESS SENSOR	058020
	NARROW CAN CHUTE ASSEMBLY	2 DEEP MERLIN & REG LESS SENSOR	036010
	CAN CHUTE	NARROW MERLIN 4	258001
8	CAN CHUTE	WIDE MERLIN 4	256005
9	CAN CHUTE LINER	NARROW MERLIN 4	815270
	CAN CHUTE LINER	WIDE	010021
	CAN CHUTE LINER	WIDE MERLIN 4	815262
10	CAN CHUTE TIE BRACKET	ON CABINET	010017
	CAN CHUTE BRACKET	ON CHUTE (UNIVERSAL)	141014
11	HEAVY DUTY CASTER ASSY	2-DEEP	011180
	HEAVY DUTY CASTER ASSY	3-DEEP	058160
	HEAVY DUTY CASTER ASSY	3-DEEP+	201181
	HEAVY DUTY CASTER ASSY	MIV	256130
12	DOOR SWITCH	DOOR SWITCH--RUN 1521 & AFTER	835019
13	DOOR SWITCH	DOOR SWITCH--PRIOR TO RUN1521	835003
	FILTER ASSY	PO# 1079 OR BEFORE	011123
	FILTER ASSY	PO# 1080 OR AFTER	011124
14	RELAY	24 VOLT	836065
	RELAY CONVERSION KIT	MERLIN III	147508
15	DOOR SWITCH BRACKET	FOR MOUNTING DOOR SWITCH	010045
	DOOR SWITCH BRACKET	MERLIN 4	256002
16	CONDENSOR BAFFLE		010403
17	LEFT VANDAL PANEL	72" (SPEC. COLOR)RUN 1302 & BEFORE	011001
	LEFT VANDAL PANEL	79" (SPEC. COLOR)RUN 1302 & BEFORE	010022
18	RIGHT CABINET VANDAL PANEL	72" (IDENTIFY COLOR)	011002
	RIGHT CABINET VANDAL PANEL	79 1/2" (IDENTIFY COLOR)	012122
19	DOOR SWITCH ACTIVATOR		231009
20	INNER DOOR COVER	WIDE VENDORS	815259
21	PC BOARD COVER		141903
22	RIVETS	1/8"	908004
23	DELIVERY CHUTE SENSOR		836004
25	MECH SUPPORT W/A		256013

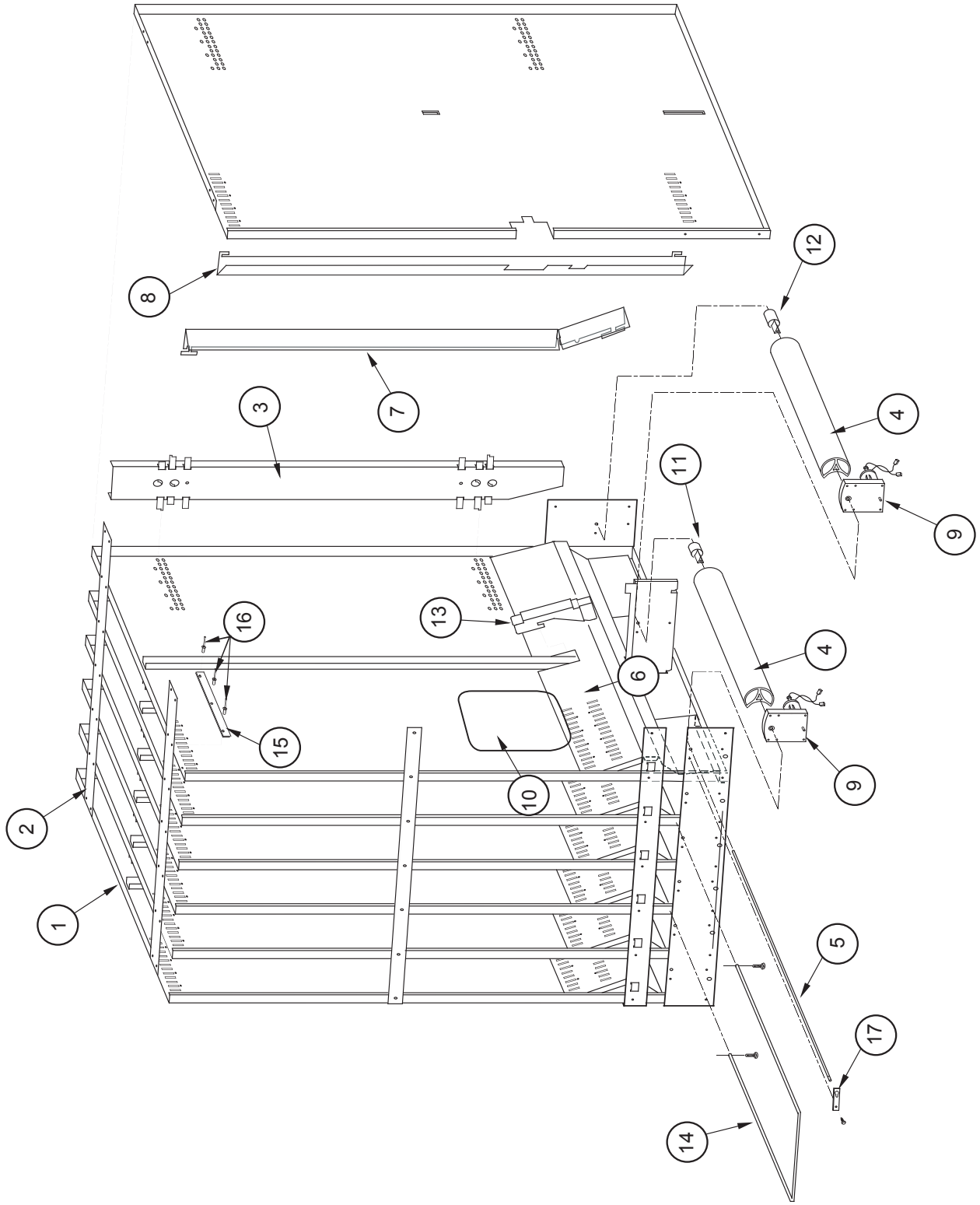
HINGE, LIFTER, & T-HANDLE ASSEMBLY



HINGE, LIFTER, & T-HANDLE ASSEMBLY

Item #	Part Name	Part Description	Part #
1	BOTTOM HINGE ASSY.	MAIN DOOR	010040
2	TOP HINGE	LEFT OF MAIN DOOR	810002
3	TOP HINGE SPACER	DOOR	010016
4	LEVELING LEG	#5/8-11	803002
5	DOOR ROLLER KIT	ALL VENDORS	141180
6	T HANDLE ASSEMBLY	ALL	812001
	T-HANDLE ASSEMBLY	ALL VANDAL RESISTANT PC	812176
	T HANDLE BODY	ALL	812134
	T HANDLE STUD	ALL	803006
	T-HANDLE BRACKET	ALL VANDAL RESISTANT PC	011505
	T HANDLE	FLUSH MOUNT FOR ROYAL DISPLAY	812138
	RETAINING RING FOR THE T-HANDLE	C-CLIP	912157
7	LATCH STRIKE ASSY MAIN		010030
	LATCH STRIKE	PC (VRD/CDC)	195509
	LATCH STRIKE	W/A	281002
8	NUT RETAINER	FOR LATCH STRIKE ASSEMBLY	010028
9	SQUARE NUT	1/2-13/T-HANDLE LATCH ASSY.	905005
10	TOP DOOR BUSHING	.438 ID X .556 OD X .38	803003
11	SELF TAPPING SCREW	1/4-20X1	901003
12	CARRIAGE BOLT	1/4-20X1 1/4	901008
13	KEPS NUT	5/8	905016
14	FLAT WASHER		904002
15	DOOR ROLLER SPACER		010015
16	RETAINER RING	5/32	906005
17	KEPS NUT	1/4-20	905002

VEND MECHANISM ASSEMBLY



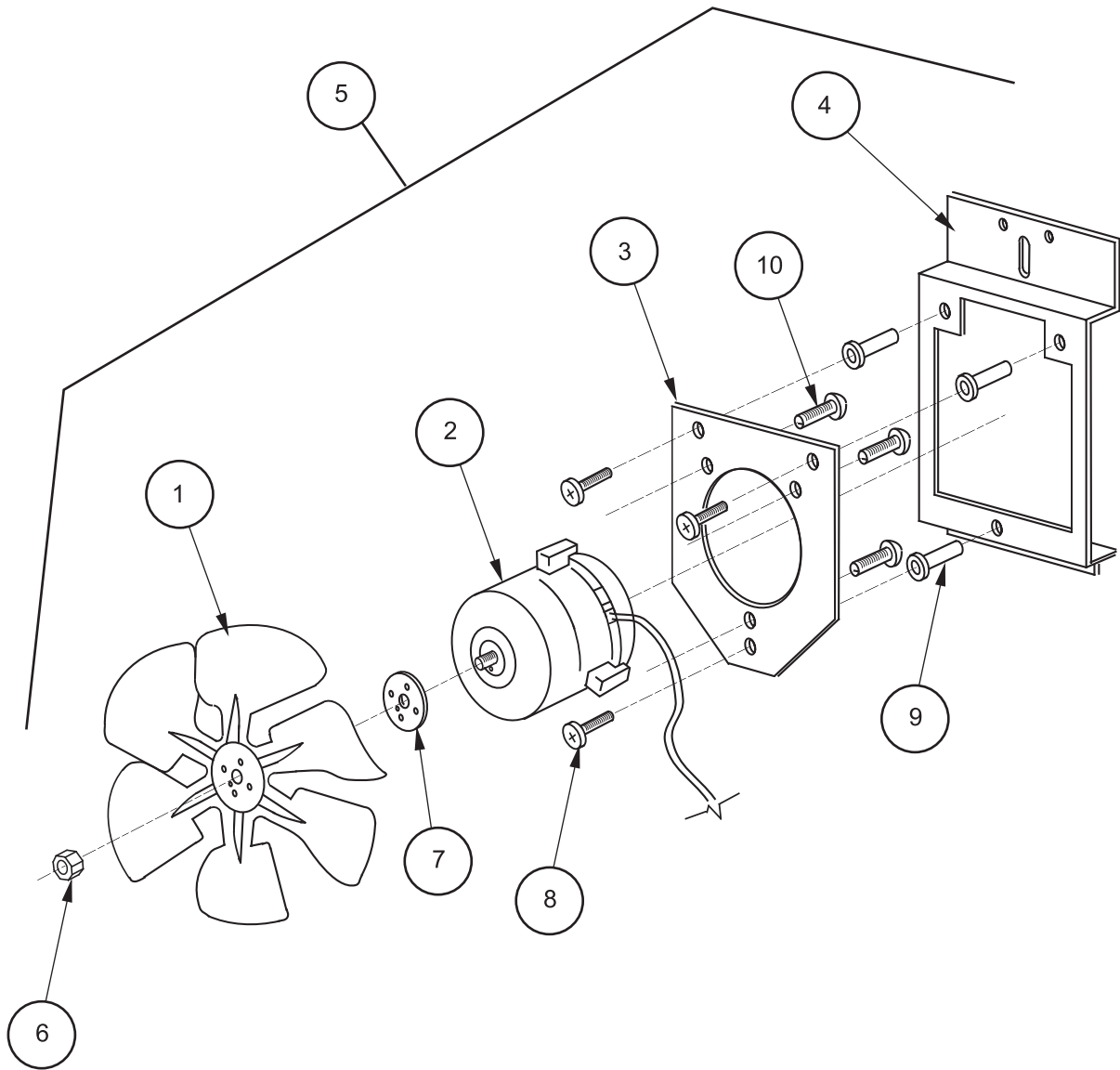
VEND MECHANISM ASSEMBLY

Item #	Part Name	Part Description	Part #
1	VEND MECH. ASSY	12 COLUMN 79"	256710
	VEND MECH. ASSY	12 COLUMN 72"	262720
	VEND MECH. ASSY	10 COLUMN 79"	258710
	VEND MECH. ASSY	10 COLUMN 72"	264710
	VEND MECH. ASSY	552-8 REGULAR/ALL VENDORS	061901
	VEND MECH ASSY	3 D+ 72" 552-7,8 ELECT	157900
3	BACK SPACER ASSY	79"	256730
	BACK SPACER ASSY	72"	257730
	BACK SPACER ASSY	NARROW 79"	010750
	BACK SPACER ASSY	WIDE 79"	010740
	BACK SPACER ASSY	NARROW 79" 3 DEEP	058750
	BACK SPACER ASSY	NARROW 72" 2 DEEP	011730
	BACK SPACER ASSY	WIDE 72" 2 DEEP	011720
	BACK SPACER ASSY	NARROW 72" 3 DEEP	059750
	BACK SPACER ASSY	WIDE 72" 3 DEEP	059730
	BACK SPACER ASSY	79.5" WIDE 16 OZ 3 DEEP (600, 609,630)	201730
	BACK SPACER ASSY	79.5" NARROW 16 OZ 3 DEEP (609)	201710
	BACK SPACER ASSY	72W/3DP 16OZ. 510 W/REG & 16OZ N COL	202730
	NARROW SPACER	10 OZ 3 DEEP	201708
	REAR CAN RETAINER	ANTI-THEFT TAB	810007
	REAR CAN RETAINER	MIV	810054
	BACK SPACER	72" MERLIN 4	257704
	DOUBLE FINGER	USED ON WIDE BACK SPACER	010704
	SINGLE FINGER	16 OZ 3 DEEP	201707
	SINGLE FINGER	USED ON NARROW BACK SPACER	010705
	BACK SPACER	79" MERLIN 4	256713
	4	ROTOR	MIV
PLASTIC ROTOR		MIV	815305
ROTOR		2-DEEP/NARROW COLUMN	809002
ROTOR		3-DEEP	809007
ROTOR		16 OZ 3 DEEP	809022
ROTOR		16 OZ 3 DEEP+	809026
ROTOR		3 DEEP+	809027
FRONT ROTOR		MERLIN IV	256740
REAR ROTOR		MERLIN IV	256750
OSCILLATOR		2-DEEP/WIDE COLUMN	809003
OSCILLATOR	3-DEEP	809008	
5	ROTOR ROD	MIV	803035
	ROTOR RETAINER	NARROW MOTORS	010746
6	CAN FUNNEL	MERLIN IV	256712
	BOTTLE FUNNEL	1 LITRE MERLIN IV	256102
	CAN FILLER	FRONT / 1L FUNNEL / MIV	256107
	CAN FILLER	REAR / 1L FUNNEL / MIV	256108
	CAN FILLER - REAR	25 CL / MIV	256112
	LITER KIT MERLIN IV 72"	FOR VENDORS NOT CAPABLE OF 1 LITERS	257140
LITER KIT MERLIN IV 79"	FOR VENDORS NOT CAPABLE OF 1 LITERS	256911	

VEND MECHANISM ASSEMBLY

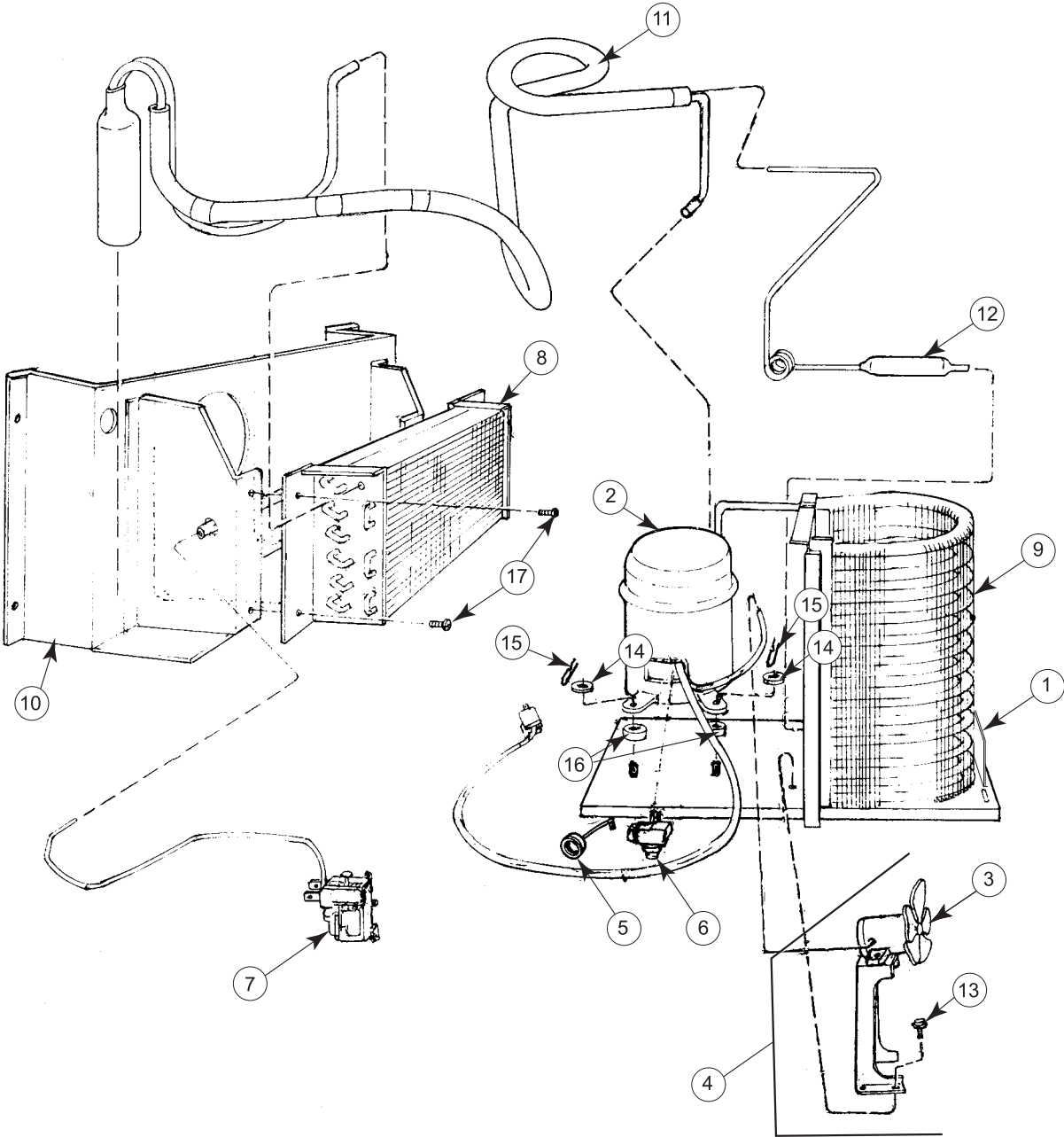
Item #	Part Name	Part Description	Part #
7	FRONT PACKAGE RETAINER LEFT	79" MERLIN IV	256716
	FRONT PACKAGE RETAINER LEFT	72" MERLIN IV	257706
8	FRONT PACKAGE RETAINER RIGHT	79" MERLIN IV	256715
	FRONT PACKAGE RETAINER RIGHT	72" MERLIN IV	257705
9	VEND MOTOR ASSY	MERLIN IV, 24VDC, 3D DEEP+	839029
	VEND MOTOR ASSY (HEAVY DUTY)	2-DEEP /72" 3 DEEP NARROW REG	010720
	VEND MOTOR ASSY	2-DEEP WIDE REG	010730
	VEND MOTOR ASSY	WIDE 79" 3-DEEP REG	058710
	VEND MOTOR ASSY	NARROW 72" 3-DEEP REGULAR	059770
	VEND MOTOR ASSY	WIDE 72" 3-DEEP REGULAR	059760
	VEND MOTOR ASSY	2-DEEP /72" 3 DEEP NARROW MERLIN	010770
	VEND MOTOR ASSY	2 DEEP "MERLIN" WIDE COLUMN	010780
	VEND MOTOR ASSY	3 DEEP BOTTLE /79" CAN WIDE MERLIN	058940
	VEND MOTOR ASSY	3 DEEP BOTTLE / 79" CAN NARROW MERLIN	058950
	VEND MOTOR		839031
10	ANTI-FRICTION SHEET		915197
11	FRONT ROTOR BEARING	MERLIN IV	915156
12	REAR ROTOR BEARING	MERLIN IV	915222
13	FUNNEL ANGLE / MV	MV	256719
	FUNNEL ANGLE / MV	1PER COL. WHEN SETTING UP 1 LITRE	256105
14	CASE SUPPORT	MERLIN IV	811026
15	RUBBER STRIP		915199
16	RIVET	1/8	908002
17	ROD RETAINER		256714
	ANTI-TILT SPRING		256717

EVAPORATOR FAN



Item #	Part Name	Part Description	Part #
1	EVAPORATOR FAN BLADE	8" 6 BLADE FAN	810045
2	EVAPORATOR FAN MOTOR	35 W / 115V	839028
	FAN MOTOR EVAP.	6 WATT	839001
3	EVAPORATOR FAN PLATE		010058
4	EVAPORATOR MOUNTING BRACKET		010057
	EVAPORATOR MOUNTING BRACKET	ASSY	010064
	FAN MOTOR BRACKET	EVAPORATOR FAN BRACKET	010006
5	EVAPORATOR FAN MOTOR ASSY	ALL ITEMS	210400
	EVAPORATOR FAN ASSEMBLY	MOTOR AND BLADE	010050
6	NUT 1/4-20		905002
7	SILENCER		939027
8	MACHINE SCREW	8-32X1/2	901038
9	WELL NUT		905026
10	SCREW	8-32X3/8	901011

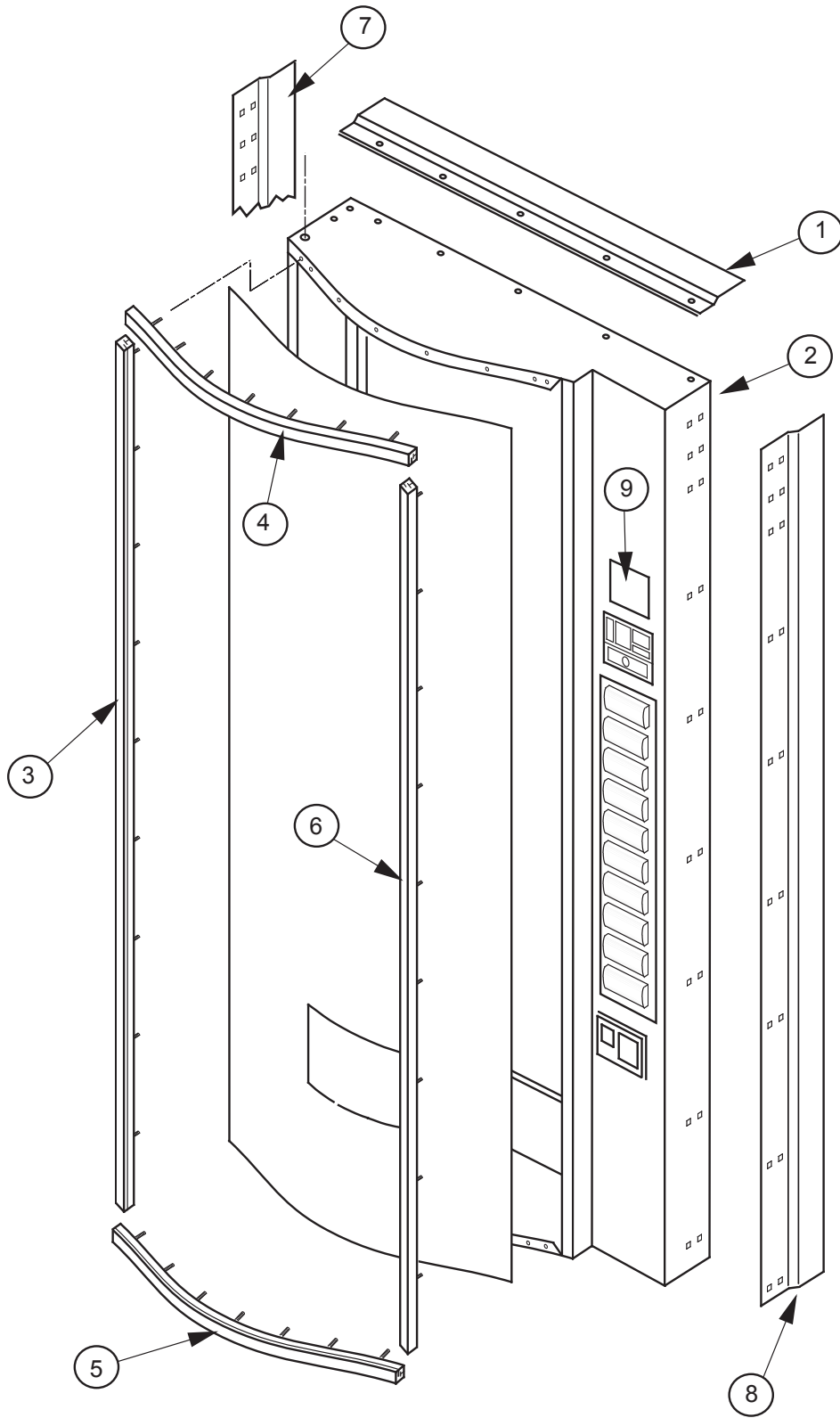
REFRIGERATION



REFRIGERATION

Item #	Part Name	Part Description	Part #
1	REFRIG. SYSTEM- NON CAP START	1/3+ 115V R134A TEC	256420
	REFRIG. SYSTEM- CAP START	1/3 R-134A TEC	141420
	REFRIG. SYSTEM- CAP START	1/3+ R-134A TEC	156430
	REFRIG. SYSTEM- NON CAP START	1/3+ HP 115V R134A TEC W/SHOCK LOOP	256460
2	1/3+ HP COMPRESSOR R134A	CAP START HIGH TORQUE TECUMSEH	819028
	1/3+ HP COMPRESSOR R134A	TECUMSEH 220V	819030
	1/3+ HP COMPRESSOR R134A	115V TEC.	819015
	1/3 HP COMPRESSOR R134A	CAP START HIGH TORQUE TECUMSEH	819023
3	CONDENSOR FAN BLADE	8 3/4 DIA	810014
4	CONDENSOR FAN MOTOR ASSY.	MOTOR AND BLADE	839010
5	OVERLOAD 1/3+	TECUMSEH	822010
6	COMPRESSOR RELAY	1/3+ HP TECUMSEH	822042
7	COLD CONTROL		822001
8	EVAPORATOR COIL		820002
9	CONDENSOR COIL		820007
10	EVAPORATOR FAN SHROUD ASSY	WIDE	256080
	EVAPORATOR FAN SHROUD ASSY	NARROW	258070
	EVAPORATOR COVER WIDE	WIDE VENDORS	010013
	EVAPORATOR COVER	NARROW VENDORS	095008
11	HEAT EXCHANGE		210425
12	DRYER		824011
13	SCREW	8-32X1/2	901006
14	GROMMET PLUGS		815017
15	COMPRESSOR CLIPS		914002
16	GROMMETS COMPRESSOR		916015
17	SCREW	8X1/2"	902004

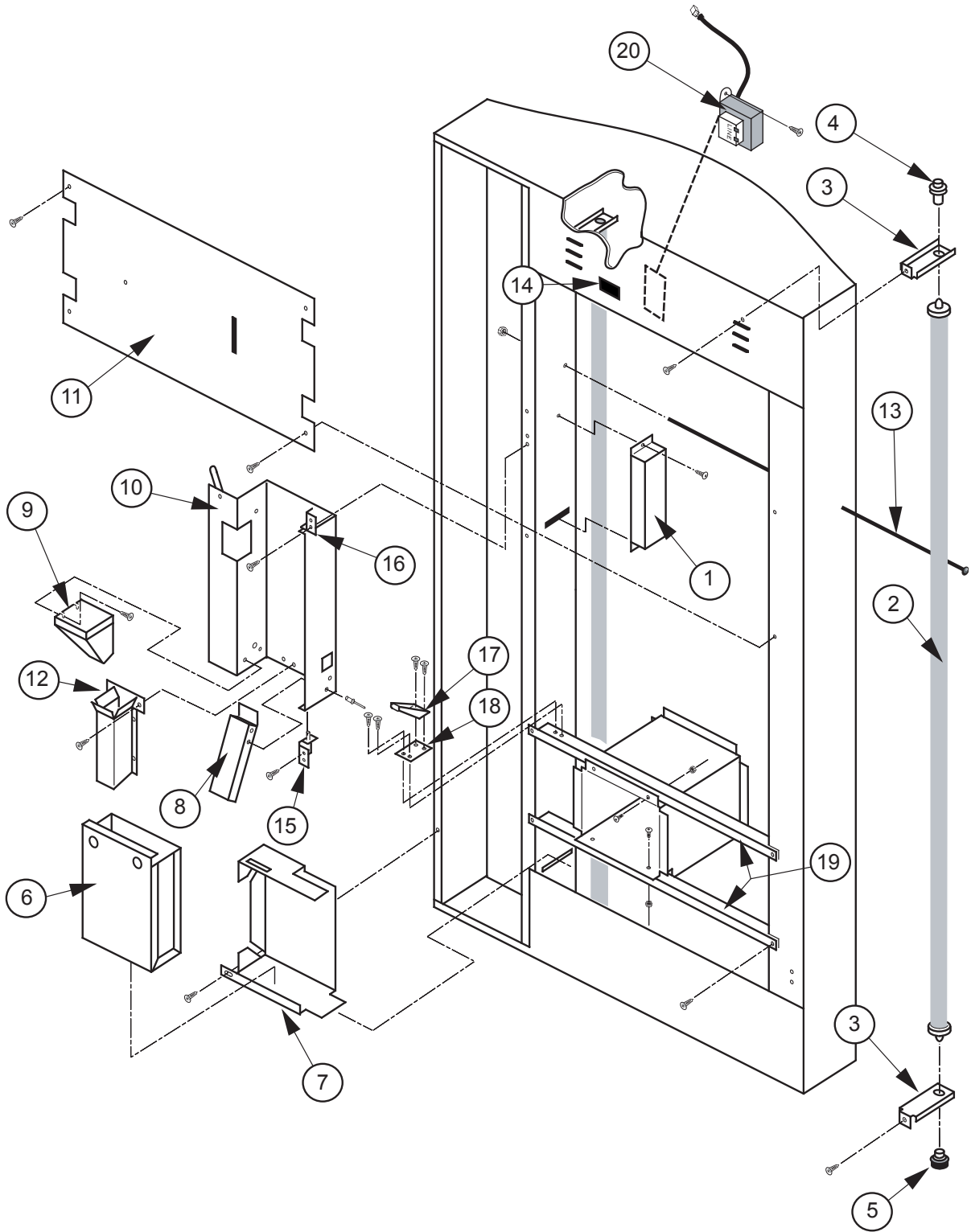
DOOR ASSEMBLY, FRONT



DOOR ASSEMBLY, FRONT

Item #	Part Name	Part Description	Part #
1	RAIN GUARD	NARROW VENDOR MERLIN 4	258504
	RAIN GUARD	NARROW / TOP OF DOOR	036503
	RAIN GUARD	WIDE / TOP OF DOOR	010518
2	WELDED DOOR ASSEMBLY	PC/CD 79" WV MIV 1533 &AFTER	273582
	WELDED DOOR ASSEMBLY	PC/CD 72" WV MIV 1533 & AFTER	274581
	WELDED DOOR ASSEMBLY	PC/CD 72" NV MIV 1533 & AFTER	264590
	WELDED DOOR ASSEMBLY	MIV 79" 1533 & BEFORE	229510
	WELDED DOOR ASSEMBLY	MIV 72" 1533 & BEFORE	230510
	WELDED DOOR ASSEMBLY	PC WIDE 79" / V DR	227510
	WELDED DOOR ASSEMBLY	PC 72" ROUND/WIDE	013510
	WELDED DOOR ASSEMBLY	PC 72" WIDE / V RD	228510
	WELDED DOOR ASSEMBLY	PC 72" NV MERLIN 4	264510
	WELDED DOOR ASSEMBLY	PC 79.5" ROUND/WIDE	012520
	WELDED DOOR ASSEMBLY	PC 79" NV MERLIN 4	263510
	WELDED DOOR ASSEMBLY	72" PC CDC WIDE	195520
	WELDED DOOR ASSEMBLY	79" PC CDC WIDE	198510
	DOOR ASSEMBLY COMPLETE	PC 72" 10 SEL REGULAR ROUND	196510
	DOOR ASSEMBLY COMPLETE	PC 79" 10 SEL MERLIN 4 ROUND CDC BOT.	273580
	DOOR ASSEMBLY COMPLETE	PC 72" N 6 SELECT MERLIN ROUND	040970
	3	SIGN TRIM	LEFT SIDE TRIM 79" WIDE VENDER, PEPSI
SIGN TRIM		LEFT SIDE TRIM 72" NARROW VENDER, PEPSI	142502
4	SIGN TRIM	TOP TRIM WIDE VENDER, PEPSI	012553
5	SIGN TRIM	BOTTOM TRIM WIDE VENDER, PEPSI	012553
	SIGN TRIM	TOP/BOTTOM TRIM (M4) NARROW VENDER, PEPSI	263504
6	SIGN TRIM	RIGHT SIDE TRIM 79" WIDE VENDER, PEPSI	012554
	SIGN TRIM	RIGHT SIDE TRIM 72" WIDE VENDER, PEPSI	013507
	TRIM--PC	79.5"	012597
	TRIM--PC	72"	013580
	LEFT VANDAL PANEL	79" (SPEC. COLOR)RUN 1303 & AFTER	141002
7	LEFT VANDAL PANEL	57.5" (SPEC. COLOR)RUN 1302 & BEFORE	038001
	LEFT VANDAL PANEL	57.5" (SPEC. COLOR)RUN 1303 & AFTER	149002
	LEFT VANDAL PANEL	72" (SPEC. COLOR)RUN 1302 & AFTER	142001
	RIGHT VANDAL PANEL	79" (IDENTIFY COLOR)	010519
8	RIGHT VANDAL PANEL	57 1/2" (IDENTIFY COLOR)	038505
	RIGHT VANDAL PANEL	72" (IDENTIFY COLOR)	011501
	RIGHT CABINET VANDAL PANEL	57 1/2" (IDENTIFY COLOR)	038002
9	P.O.S. LEXAN PANEL	TUFF GUY P.O.S. WINDOW	171523
	P.O.S. WINDOW PLATE	P.O.S. WINDOW PLATE	123503

DOOR ASSEMBLY, REAR



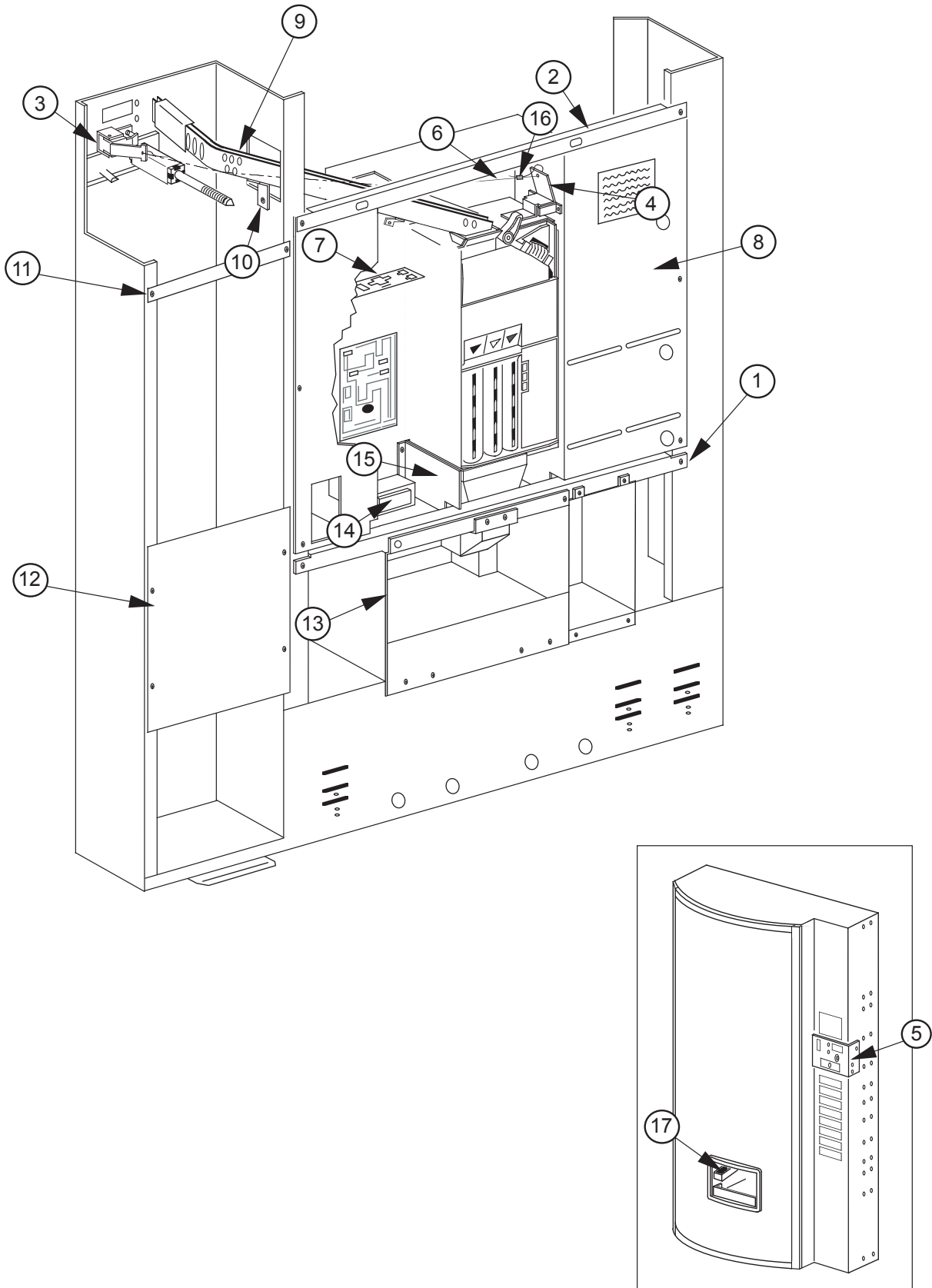
DOOR ASSEMBLY, REAR

Item #	Part Name	Part Description	Part #
1	BALLAST ASSY.	PC/CD 79" MERLIN	012940
	BALLAST ASSY.	PC/CD 57.5" MERLIN (VALMONT)	042910
	BALLAST ASSY.	PC/CD 72 REG.	013550
	BALLAST ASSY.	PC/CD 72" W MERLIN	013920
	BALLAST ASSY.	PC/CD 72" NV MERLIN	040920
	BALLAST ASSY.	PC/CD 79" WIDE REG.	012591
	BALLAST ASSY	79" PC MERLIN C.D.C.	198920
	BALLAST ASSY	72" PC MERLIN C.D.C.	195910
	BALLAST HIGH OUTPUT	VALMONT	838003
	BALLAST SLIMLINE	PC/CD & INTERNATIONAL CC	838002
	BALLAST SLIMLINE	48" SL LAMP	838004
2	LAMP 72" SLIMLINE PC 79"	SOLD BY CASE (15)/SHIPPED WITH VENDORS	841005
	LAMP 64" SLIMLINE PC 72"	SOLD BY CASE (15)/SHIPPED WITH VENDORS	841006
	LAMP 48" SLIMLINE	SOLD BY CASE (24)/SHIPPED WITH VENDORS	841008
3	LAMP BRACKET	ALL VENDORS	010517
	LAMP SOCKET ASSY.	PC / CD TOP	012518
	LAMP SOCKET ASSY.	PC / CD BOTTOM	012519
4	LAMPHOLDER	SLIMLINE #516 TOP-PC SPRING	842003
5	LAMPHOLDER	SLIMLINE #517 BOTTOM-PC	842004
	CORRECT CHANGE LAMP	ELECTRO-MECH	841010
6	COIN BOX WELD ASSY	WIDE	010580
	COIN BOX WELD ASSY	ALL CDC	815347
7	COIN BOX HOUSING	ALL VENDORS (EXCEPT CDC)	010537
	COIN BOX HOUSING W/A	ALL CDC	273540
	COIN BOX HOUSING	CDC	273503
	COIN BOX/VALIDATOR GUARD KIT	ALL	011190
	BAG CHUTE W/A HONOR GUARD	WIDE PC/CD/VF	012110
	SAFEGUARD COIN BOX	ALL VENDORS	010171
	SAFEGUARD COIN BOX	FOR 79 X CDC VENDORS	141127
	CASH BOX LOCK	LOCK CASH BOX KIT	812054
	SAFEGUARD FUNNEL		812110
	SAFEGUARD BOX W/KEYS		812111
8	BOTTOM COIN CHUTE ASSY.	PC/CD	012593
	OPENER COIN CUP ASSY.	PLASTIC	010565
	COIN CUP PLATE	USED W/OPENER COIN CUP	010552
	VENDOR DEFENDER	COIN CHUTE KIT	816055
	COIN CUP CONTOUR BOTTLE	3 DEEP+ CDC	231101
	COIN CUP	WIDE PORT CDC	273506
	COIN CHUTE ASSEMBLY	ALL STANDARD VENDORS	010532
9	COIN HOPPER	ALL VENDORS	815015
	HOPPER CHUTE	PC/CD / REAR	012512
	HOPPER CHUTE COVER	PC/CD / FRONT	012513
	HOPPER CHUTE KIT	PC/CD	013570
	COIN CHUTE ASSY	79 CDC	161590
	COIN CHUTE BRACKET	CDC	162502
	SUPPORT BRACKET	HOLDS COIN CHUTE CDC	161537

DOOR ASSEMBLY, REAR

Item #	Part Name	Part Description	Part #
	CHANGER DOOR ASSY.	PC / CD	013560
10	CHANGER DOOR	ALL VENDORS (EXCEPT CDC/DP V4)	010544
	CHANGER DOOR LATCH ASSY.	ALL	011152
11	LAMP GUARD	WIDE / CENTER OF DOOR	012514
	LAMP GUARD	NARROW / CENTER OF DOOR	040501
12	HOPPER CHUTE ASSY	PC/CD WIDE	012538
13	TIE ROD - DOOR	5/32 DIA X 28.31 WIDE DOOR	811001
	TIE ROD	NARROW DOOR	811005
	FUSE	FOR FUSE BOX	842059
	FUSE	FOR TRANSFORMER	842135
	FUSE	MERLIN--OLD BOARD	942021
	FUSE BOX ASSY WITH LEAD	MERLIN 4 AMP	012165
	FUSE BOX ASSY	MERLIN 4 AMP	012166
15	CHANGER DOOR HINGE ASSY	BOTTOM	010560
16	CHANGER DOOR HINGE ASSY	TOP	010570
17	LATCH STRIKE	FOR INNER DOOR	812003
18	LATCH ROLLER BRACKET	FOR INNER DOOR LATCH STRIKE	010516
19	PORT BRACE	ALL WIDE VENDORS/TOP AND BOTTOM BRACE	010515
	PORT BRACE	ALL NARROW VENDORS/TOP AND BOTTOM BRACE	036502
20	TRANSFORMER ASSY	MIV	842147
	TRANSFORMER ASSY	MERLIN 2000 AND MERLIN 3	010572

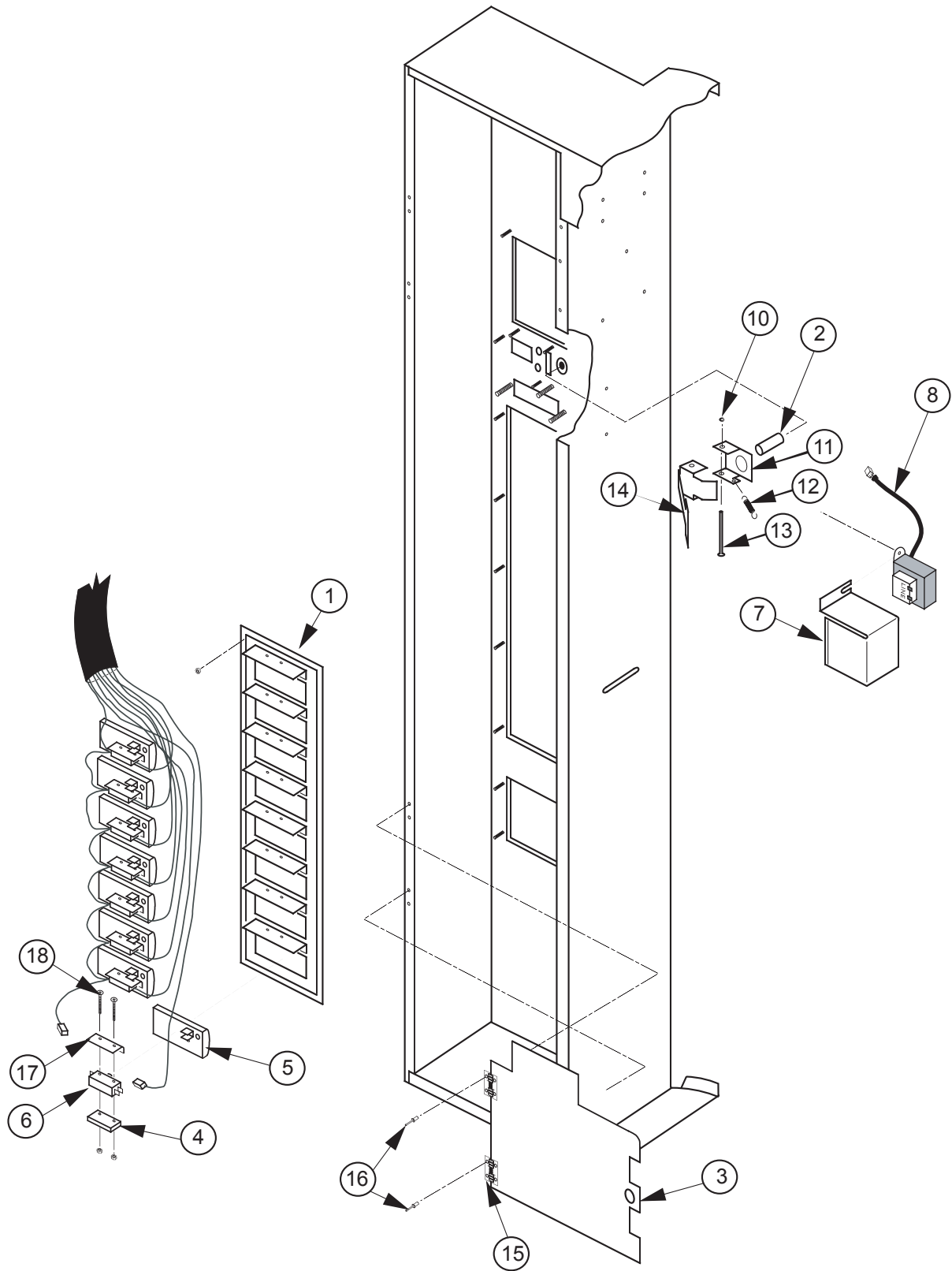
CHANGER



CHANGER

Item #	Part Name	Part Description	Part #
1	PORT BRACE W/A	HOLDS TOP OF CHANGER VAULT CDC	161541
2	CHANGER VAULT BRACE	HOLDS BOTTOM OF CHANGER VAULT	161518
3	BUTTON LEVER ASSY	COIN INSERT/COIN RETURN CDC	161594
4	COIN RETURN LEVER ASSY	ABOVE ESCROW LEVER ON CHANGER CDC	161593
5	SECURITY PLATE W/A	VRD CDC	195510
	SECURITY PLATE W/A	CD / FD / NV PC / VRD / MERLIN IV	216530
	SECURITY PLATE	PC, CDC	195503
6	3/64" DIA. GALV. CABLE	CDC	911032
7	CHANGER PLUG BRACKET	MERLIN	010561
	BOARD COVER	1 PER PEPSI CDC ELE. V.-AFTER RUN 1548	195518
8	CHANGER VAULT W/A		161523
9	COIN CHUTE ASSEMBLY	CDC WIDE VENDER 79"	161590
10	COIN CHUTE BRACKET	79"	161527
	COIN CHUTE BRACKET	72"	162502
11	PANEL STRAP		010531
12	SELECT PANEL PLATE		161512
13	PORT BODY W/A	WIDE PORT	303510
14	TRANSFORMER	MERLIN 4	842147
15	HOPPER MOUNTING BRACKET		161515
16	CABLE SLEEVES		906015
17	COIN CUP	CDC	231505
	PC BOARD COVER	CDC	195518
	COIN DEFLECTOR		161526
	CHANGER VAULT DOOR		161534

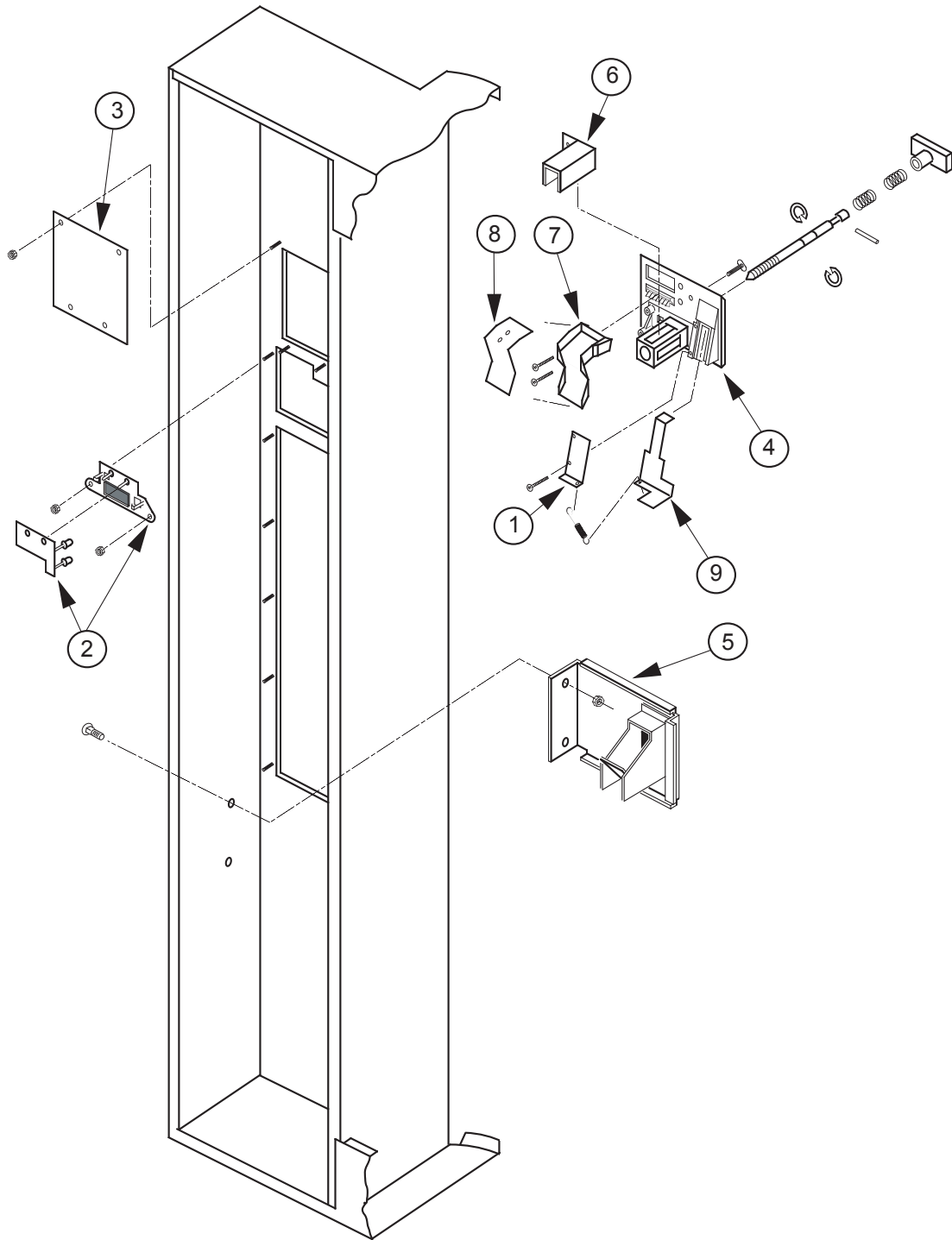
VANDAL RESISTANT DOOR, REAR



VANDAL RESISTANT DOOR, REAR

Item #	Part Name	Part Description	Part #
1	10 SELECT BUTTON PANEL W/A	PC, CD (METAL ONLY)	017530
	10 SELECT BUTTON PANEL ASSY	PC/ CD MERLIN LG SWITCH W/HARNESS	017920
	10 SELECT BUTTON PANEL ASSY	PC/CD ELECT W/O HARNESS	017922
	10 SELECT BUTTON PANEL ASSY	PC/CD MERLIN W/O HARNESS	017910
	8 SELECT BUTTON PANEL ASSY	PC/CD REG W/O HARNESS	012540
	8 SELECT BUTTON PANEL ASSY	PC/CD REG LARGE SWITCH W/O HARNESS	012596
	8 SELECT BUTTON PANEL ASSY	PC/CD MERLIN W/O HARNESS	012569
	8 SELECT BUTTON PANEL ASSY	PC/CD MERLIN LARGE SWITCH W/O HARNESS	012990
	7 SELECT BUTTON PANEL ASSY	PC/CD WV REG W/O HARNESS	034530
	6 SELECT BUTTON PANEL ASSY	PC/CD WV MERLIN LGE SWITCH W/O HARNESS	105910
	6 SELECT BUTTON PANEL ASSY	PC/CD NV MERLIN LGE SWITCH W/O HARNESS	040960
	6 SELECT BUTTON PANEL ASSY	PC/CD NV REG W/O HARNESS	040540
	5 SELECT BUTTON PANEL ASSY	PC/CD REG W/O HARNESS	043540
	9 SELECT BUTTON PANEL W/A	PC/CD (METAL ONLY)	212510
	9 SELECT BUTTON PANEL W/A	PC/CD W/N FUNNEL MECH (METAL ONLY)	212501
	8 SELECT BUTTON PANEL W/A	PC, CD (METAL ONLY)	012510
	7 SELECT BUTTON PANEL W/A	PC/CD (METAL ONLY)	034520
	6 SELECT BUTTON PANEL W/A	PC/CD NARROW (METAL ONLY)	040530
	6 SELECT BUTTON PANEL W/A	PC/CD WIDE (METAL ONLY)	105510
	5 SELECT BUTTON PANEL W/A	PC/CD NARROW (METAL ONLY)	043530
	5 SELECT BUTTON PANEL W/A	PC/CD WIDE (METAL ONLY)	119510
2	COIN RETURN BUTTON	ALL	803031
	COIN RETURN BUSHING	ALL / COIN RETURN BUTTON VRD	803030
3	COIN BOX GUARD	FOR VENDORS W/O VALIDATOR	011147
4	SWITCH SPACER	FOR PC/CD BUTTONS	815018
5	SELECT BUTTON	PC/CD LARGE SWITCH	815025
6	SELECT BUTTON SWITCH	PC/CD LARGE BUTTON	835012
	SPLASH GUARD	PC/CD	815303
7	24V TRANSFORMER COVER	ALL VENDORS	010063
8	TRANSFORMER ASSY 75VA	MERLIN BASLER BE122775GEB	010572
9	T-HANDLE BRACE	ALL VANDAL RESISTANT PC	141513
10	RETAINING RING		906005
11	BUTTON LEVER HINGE		161508
12	COIN RETURN SPRING		914023
13	ROLLER PIN	5/32"	811002
14	COIN RETURN LEVER		161509
15	SPRING HINGE (SECURITY DOOR)		912156
16	POP RIVET		908004
17	SWITCH SPACER		815018
18	LARGE SWITCH		835012
19	SCREW		901041

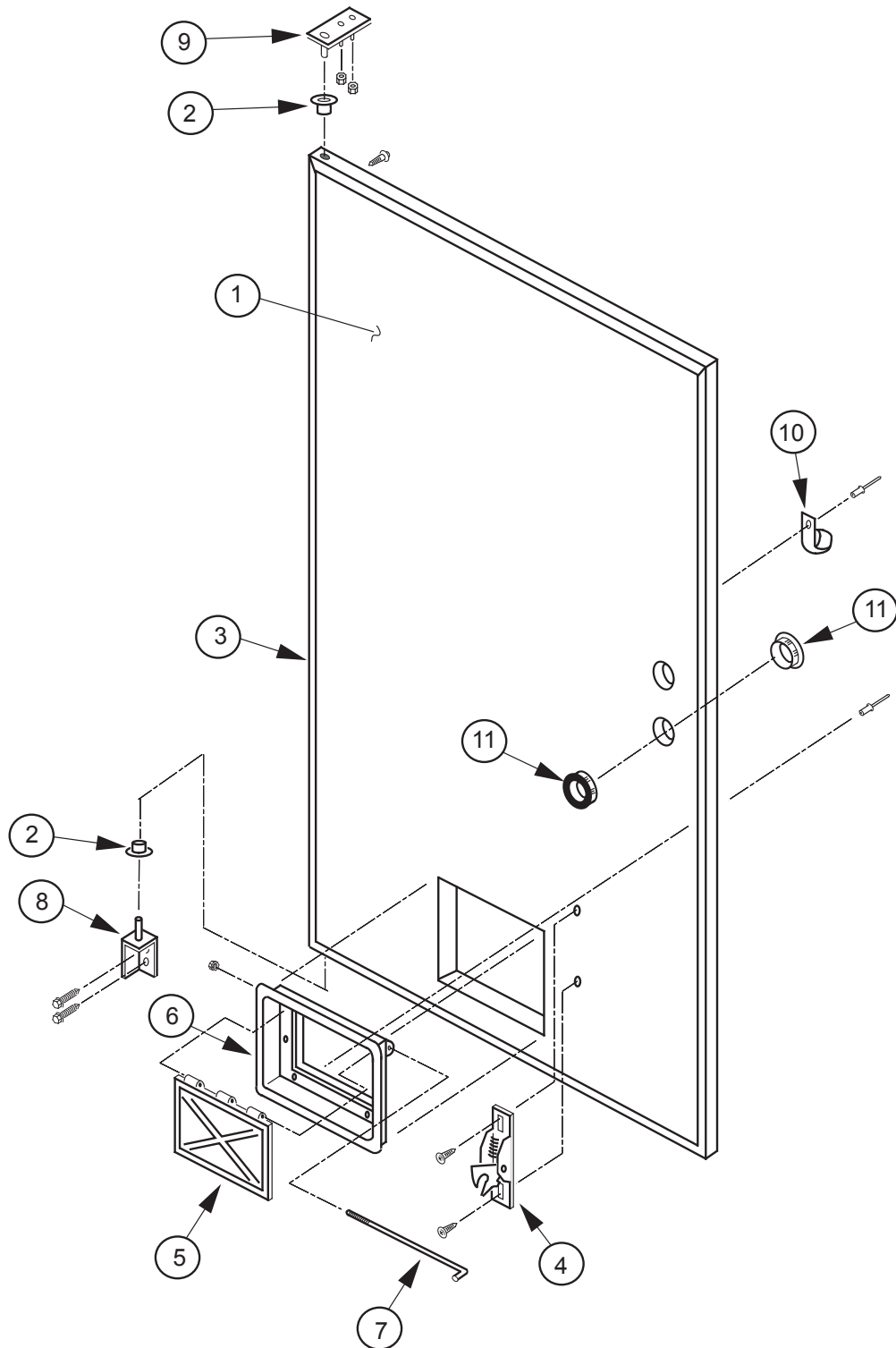
SELECT PANEL ASSEMBLY, FRONT



SELECT PANEL ASSEMBLY, FRONT

Item #	Part Name	Part Description	Part #
1	SPRING PLATE		010511
2	L.E.D. ASSY NEW	1.10 AND UP / L.E.D. AND WINDOW	010593
	L.E.D. DISPLAY HARNESS	WITH IRONBEAD MV	842081
	L.E.D. CONVERSION KIT	OLD L.E.D. TO NEW L.E.D. 5.0 BOARD	012124
	L.E.D.	WITH CONFORMAL COATING	836012
	L.E.D.	PARALYNE COATING	836012
	L.E.D. COVER		010562
	L.E.D. WINDOW	1.09 & UNDER	010563
	L.E.D. LENS	SMALL LITE LENS/COR CHANGE-SOLDOUT	916032
3	VALIDATOR COVER	PC/CD	012508
4	COIN INSERT	PC / CD METAL ONLY	809006
	COIN INSERT ASSEMBLY	PC MERLIN C.D.C.	195560
	COIN INSERT ASSEMBLY	PC / CD - REG. & OLD MERLIN	012550
	COIN INSERT ASSEMBLY	PC/ CD - NEW MERLIN	012910
5	COIN CUP W/A MOUNTING PLATE	PC / CD (AFTER RUN 1218)	012595
6	LOCK CYLINDER COVER	ALL	012555
7	COIN CHUTE	BOTTOM	815001
8	COIN CHUTE	TOP	815002
9	SCAVENGER LINK	COIN RETURN LEVER	810001

INNER DOOR



INNER DOOR

Item #	Part Name	Part Description	Part #
1	INNER DOOR ASSEMBLY	79" WIDE	210609
	INNER DOOR ASSEMBLY	79" NARROW	258630
	INNER DOOR ASSEMBLY	72" WIDE	262640
	INNER DOOR ASSEMBLY	72" NARROW	264630
	INNER DOOR ASSEMBLY	72" (RUN 1405 & BEFORE)	011620
	INNER DOOR ASSEMBLY	79 1/2" (RUN 1405 & BEFORE)	010650
2	INNER DOOR BUSHING		815026
3	INNER DOOR GASKET	79" WIDE	815033
	INNER DOOR GASKET	72" NARROW	815044
	INNER DOOR GASKET	72" WIDE	815032
	INNER DOOR GASKET	57 1/2"	815046
	INNER DOOR LOCK	INNER DOOR WITH NEW GASKET (OFFSET CAM)	912187
	INNER DOOR LOCK	INNER DOOR LOCK	812005
4	BURST OPEN LATCH	FOR INNER DOOR	812002
5	PORT DOOR	FOR INNER DOOR, WIDE PORT	815192
	PORT DOOR	FOR INNER DOOR, NARROW PORT	815014
6	PORT FRAME	FOR INNER DOOR, WIDE PORT	815191
	PORT FRAME	FOR INNER DOOR, NARROW PORT	815013
7	PORT DOOR ROD	FOR INNER DOOR, WIDE PORT	811028
	PORT DOOR ROD	FOR INNER DOOR, NARROW PORT	811004
8	INNER DOOR HINGE ASSY	BOTTOM	010550
9	INNER DOOR HINGE ASSY	TOP	010520
10	CABLE CLAMP 1"	NYLON 1/2 WIDE	916004
11	BUSHING 1 3/8	HEYCO SB 1375-16	916003

MISCELLANEOUS

Part Name	Part Description	Part #
-----------	------------------	--------

ELECTRICAL CONNECTORS

FLEXIBLE TUBING	1" DIA X .028 WALL	825001
FLEXIBLE TUBING	3/8" DIA X .028 WALL	825002
FLEXIBLE TUBING	3/4" DIA X .028 WALL	825003
FLEXIBLE TUBING	1/4" DIA X .028 WALL	825023
FLEXIBLE TUBING	1 1/4 " DIA	825040
.187 RECEPT.	1 WIRE / TERMINAL END	940001
.187 RECEPT.	2 WIRE / TERMINAL END	940002
HOUSING 3 WAY	FOR MINI SWITCH	940003
RELAY TERMINAL	REG. .187 FOR RELAY SOCKET	940005
HOUSING .187	SINGLE INSULATION	940006
MATE-N-LOK PIN	MALE TERMINAL	940007
MATE-N-LOK SOCKET	FEMALE TERMINAL	940008
15 WAY CAP	FEMALE / MATE-N-LOK	940011
15 WAY PLUG	MALE / MATE-N-LOK	940012
.187 ULTRA FAST	1 WIRE / FOR PC S.O. LIGHTS / PINK BOOTY	940016
9 WAY CAP	FEMALE / MATE-N-LOK	940019
9 WAY PLUG	MALE / MATE-N-LOK	940020
2 WAY CAP	FEMALE / MATE-N-LOK	940021
2 WAY PLUG	MALE / MATE-N-LOK	940022
.187 ULTRA FAST	2-WIRE / FOR PC S.O. LIGHTS / BLUE BOOTY	940023
CIRCUIT BOARD RECEPT.	MERLIN TRANSFORM / 640251-2 / 2 WAY	940026
CIRCUIT BOARD RECEPT.	OPTIONS / 640251-6 / 6-WAY	940028
CIRCUIT BOARD RECEPT.	SELECT PANEL / 1-640251-2 / 12-WAY	940030
CIRCUIT BOARD RECEPT.	COIN MECH / 1-640251-3 / 13-WAY (OLD)	940031
CIRCUIT BOARD RECEPT.	MOTORS / 1-640251-5 / 15-WAY	940032
CIRCUIT BOARD RECEPT.	COUNTER-ALARM / 640251-3 / 3-WAY	940036
CIRCUIT BOARD TERMINAL	MERLIN / 640252-1	940034
.250 FASTON RECEPTACLE	1 WIRE	940075
.250 FASTON RECEPTACLE	2 WIRE	940054
.250 TERMINAL	2-WIRE BOOT	940038
.250 ULTRA FAST	1-WIRE BOOT	940039
.250 HOUSING		940049

LABELS & DECALS

INSTRUCTION DECAL	MERLIN III VERSION 11.00 (3-BUTTON)	931239
SPACE TO SALES DECAL	MERLIN IV 12 COLUMNS	931301
SPACE TO SALES DECAL	MERLI IV 10 COLUMNS	931302
COLUMNS ASSIGNMENT DECAL	MERLIN VI	931300
BILL VALIDATOR LABEL	FRENCH CANADIAN	931144
MERLIN II VERSION 5 LABEL	FRENCH CANADIAN	931313
LOADING LABEL	MERLIN IV / PC / DP / CD	931283
SELECTION DECAL	MERLIN-SOLD OUT-CORRECT CHANGE	931055

MISCELLANEOUS

Part Name	Part Description	Part #
SELECTION BUTTON DECAL	BLACK DECAL AROUND SELECT BUTTON	845383
SELECTION DECAL & COLUMN	CHART 1 PER VENDOR W/ 12 COLUMNS	931333
COIN MECH LABEL	REGULAR	931030
COIN MECH LABEL	MERLIN	931088
MADE IN THE USA LABEL	FOR BACK OF CABINET	931027
PC INST. LABEL	FOR PC & CD	831026
FUSE BOX LABEL	3 AMP	931113
SECURITY PLATE DECAL	PC/CD MERLIN	845641
SECURITY PLATE DECAL	PC/CD MERLIN CDC	845530
SECURITY PLATE DECAL	PC/CD REGULAR CDC	845531
SECURITY PLATE DECAL	FRENCH CANADIAN	845880
PRICE DECAL SHEET	MERLIN .25 / .30 / .35 ELECTRONIC	831070
PRICE DECAL SHEET	.25 - 1.25 BLACK BACK W/WHITE LETTERS	831391
PRICE DECAL SHEET	.40 - 1.50 YELLOW/ELECTRONIC	831056
PRICE DECAL SHEET	CANADIAN 75¢-\$1.75	931266
PRICE DECAL SHEET	CANADIAN \$1.80 - \$2.50	931267
PRICE DECAL SHEET	.25 - .75	931248
PRICE DECAL SHEET	.75 - 1.25	931249
PACKAGING DECAL SHEET		931250
PACKAGING DECAL SHEET	CANADIAN	931263

MANUALS

MANUAL	ELECTRO-MECH	010127
MANUAL	MERLIN 2000	833003
MANUAL	3 BUTTON MERLIN III	833007
MANUAL	4 BUTTON MERLIN III	833006
MANUAL	MERLIN 4	833018
MERLIN IV	MINI MANUAL, 3 BUTTON	833020
MANUAL	TDV	833049
M4 3 BUTTON SERVICE & PARTS	COINCO BOARD - SERVICE ONLY	833021

SCREWS, BOLTS, WASHERS, ETC.

SCOTCH LOCK CONNECTOR	WIRE CONNECTOR	942128
#6-32 X 1/4 PHILIP	BRASS SCREW	901013
BUSHING 1/2	HEYCO B-500-375	916002
BUSHING 7/8	HEYCO SB-875-10	916071
CABLE CLAMP	5/16 R	916014
CARRIAGE BOLT	1/4-20 X 1/2 LG EMPIG.	901007
CARRIAGE BOLT	1/4-20 X 1" LG EMPIG.	901008
CARRIAGE BOLT	1/4"-20 X 3/4" LG. (FOR LOCK COVER)	901045
COMPRESSOR CLIP	FOR COMP MTG	914002
#10 FLAT WASHER	STAR WASHER	904007
FLAT WASHER	3/8 ID X 3/4 - 7/8 OD GVN STEEL	904002
FLAT WASHER	3/4 OD X 5/16 ID X 1/16 THK	904006

MISCELLANEOUS

Part Name	Part Description	Part #
FLAT WASHER NYLON	7/16 ID X .875 OD X .045 THK	904001
GROOVE PIN	5/32 DIA X 1 1/16	906003
GROOVE PIN	5/32 DIA X 3/4 LONG	906004
KEPS NUT	#8-32 W/EX TOOTH WS	905001
KEPS NUT	1/4-20 W/EX TOOTH WS	905002
KEPS NUT	3/8"-16	905007
NYLINER 1/2	THOMSON 8L2-FF TYPE7	916010
NYLINER 1/2	THOMSON 616-F TYPE5	916012
NYLINER 3/8	THOMSON 6L2-FF TYPE7	916011
PIN FOR T-HANDLE	TO CONNECT STUD TO HANDLE	912133
POP RIVET	1/8 DIA X .250 GRIP SS	908001
POP RIVET	3/16 DIA X .190 GRIP SS	908002
POP RIVET	1/4 DIA X .19 GRIP ALUM	908003
POP RIVET	1/8 DIA X .19 GRIP ALUM	908004
RETAINING RING	FOR 5/32 DIA ROD	906005
S/M SCREW	#4 X 3/4 LG TYPE B	902002
S/M SCREW	#4 X 1 1/8 LG TYPE B	902003
S/M SCREW	#4 X 5/8" TYPE B PAN HEAD PHILLIPS	902009
SELF DRILLING SCREW	#8 X 1/2 W/1/2 OD WAS	902001
SELF DRILLING SCREW	#8 X 1/2 LG	902004
SELF TAPPING SCREW	#10-31 X 1" PAN HEAD PHILLIPS	901027
SEMS CAP SCREW	1/4-20 X 1" LG	901003
SEMS SCREW	#8-32 X 1/2 LG	901002
SEMS SCREW	# 6-32 X 3/8 LG	901004
SEMS SCREW	#8-32 X 1/2 LG W/FL W	901006
SEMS SCREW	#8-32 X 3/8	901011
SEMS SCREW	#8-32 X 1/2 HEX HD SLOTTED	901012
SCREW	THREAD CUTTING , FLAT HD PHILLIPS TYPE F	901046
SPRING RESTRICTOR	FOR REFRIG SYSTEM	914005
T SCREW	#8-32 X 3/4 LG	901001
THREDSTUD	#8-32 X 1/2 LONG	906001
THREDSTUD	#8-32 X 7/8 LONG	906002
U CLAMP	FOR TOP FAN HOUSING	906007
WELD NUT	#5/8-11	907002
WELD NUT	#1/4-20	907003
WELD NUT	SPADE TYPE .218 DIA.	907004
WELD NUT	ROUND HD. .218 DIA	907005
WELD NUT	ROUND HD 1/4 DIA 1" LG	907006
WIRE TIE	5" LONG	916063
WIRE TIE SMALL	PANDUIT SST1.5M	916007
XMAS TREE CLIP	SIGNS	916009

SHIMS

10 OZ. CAN KIT/COLUMN	3-DEEP / NARROW / MERLIN	058121
10 OZ. CAN KIT	WIDE/3-DEEP	058170

MISCELLANEOUS

Part Name	Part Description	Part #
12 OZ. FORMED CAN SHIM	NARROW COL /16 OZ. 3 DEEP	201101
FORMED CAN SHIM	NARROW COLUMN 3 DEEP (.375 THK.)	058129
FORMED SHIM-NARROW	2-D	011179
FORMED SHIM-RIGHT	.31 THICK	011196
FORMED SHIM-LEFT	.31 THICK	011197
10 OZ. FLAT SHIM	WIDE/3-DEEP	058105
3 DEEP FLAT SHIM	20GA.	119708
3 DEEP FLAT SHIM	12GA.	108711
3 DEEP FLAT SHIM	16 GA.	108715
3 + DEEP FLAT SHIM	WIDE	201135
3 DEEP FLAT SHIM	FOR BOTTLE VENDORS / 20 OZ WIDE COL ONLY	108709
FLAT SHIM RIGHT SIDE	20 GA (NO NOTCH)	011177
FLAT SHIM WIDE / COLUMN	20 GA.	010128
W/A SHIM RIGHT	3 DEEP / .28 THICK	058180
W/A SHIM LEFT	3 DEEP / .28 THICK	058190
W/A LEFT SHIM	1 PER WIDE COL GATORADE/POWERADE 540	108730
W/A RIGHT SHIM	1 PER WIDE COL GATORADE/POWERADE 540	108740
CONVERSION KIT	12OZ CAN (510/609) W/N COL. W/S/O PAD.	201120
CONVERSION KIT	12 OZ CAN / 3 DEEP+	201191
CONVERSION KIT	12 OZ CAN 3DP 540/630 EV W-O/S-O PADDLES	201192
CONVERSION KIT	12 OZ CAN 3DP 540/630 EV W/S-O PADDLES	201193
CONVERSION KIT	12 OZ CAN 3 DP 5120/609 EV W-O/S-O PADDLES	201197
CONVERSION KIT	12 OZ CAN 3DP+ 540/630 EV W-O/S-O PADDLES	201194
CONVERSION KIT	12 OZ CAN 3DP+ 510/609 EV W/S-O PADDLES	201196
10 OZ BOTTLE SHIM	2 DEEP NARROW COLUMN	010107
12 OZ CAN SHIM	NARROW SHIM 16 OZ 3 DEEP	201102
10 OZ. NAR. CAN SHIM/COL	2-DEEP/MERLIN	010143
10 OZ. CAN SHIM/COL	WIDE	010118
6 OZ. CAN SHIM/COLUMN	2-DEEP/MERLIN	010144
3 D WIDE COLUMN SHIM RIGHT	STANDARD REAR CAN SHIM 552	058714
3 D WIDE COLUMN SHIM LEFT	STANDARD REAR CAN SHIM 552	058715
3 D NARROW COLUMN SHIM	STANDARD REAR CAN SHIM 552	058707
NARROW SHIM 3 DEEP	VITTEL	058134
NARROW SHIM 3 DEEP	16OZ BOTTLE	058138
WIDE SHIM LEFT	20 OZ BOTTLES 3 DEEP	058136
WIDE SHIM LEFT 16 OZ CAN	3 DEEP WIDE COLUMN	058126
WIDE SHIM RIGHT	20 OZ 3 DEEP	058135
WIDE SHIM RIGHT 16 OZ CAN	3 DEEP WIDE COLUMN	058125
3 DEEP SHIM ROD	FOR BOTTLE SHIM KITS	803009
SHIM ROD	FOR BOTTLE SHIM KITS	803007
ROD SPRING	SHIM ROD	914006
TIE STRIP SHIM	MERLIN	011189
BOTTOM TIE STRIP	16 OZ 3 DEEP MERLIN	203901
NARROW SHIM	10 OZ CAN 3 DEEP NARROW COLUMN	058124
USE ON RUN 1352 AND AFTER ON ALL 3 DEEP+ MERLIN		
FLAT SHIM	WIDE COLUMN / 3 DEEP + (12 GA.)	201105

MISCELLANEOUS

Part Name	Part Description	Part #
FLAT SHIM	WIDE COLUMN / 3 DEEP+ (20 GA)	201107
FLAT SHIM	20 OZ BOTTLE / 3 DEEP+	201125
FLAT SHIM	3 DEEP+ / 16 GAUGE	201128
12 OZ FORMED CAN SHIM	NARROW COLUMN / 16 OZ / 3 DEEP+	201106
FORMED CAN SHIM	NARROW COLUMN / 3 DEEP+ (.375 THK)	201115
FORMED CAN SHIM	RIGHT / 3 DEEP+ / PC 12 OZ BOTTLE	201126
FORMED CAN SHIM	LEFT / 3 DEEP+ / PC 12 OZ BOTTLE	201127
FORMED SHIM	LEFT 3 DEEP+ WIDE COLUMN	201109
FORMED SHIM	RIGHT 3 DEEP+	201111
FORMED SHIM	NARROW COLUMN / 3 DP+	201122
6 OZ CAN SHIM	NARROW COLUMN / 3 DP+ / MERLIN	201121
10 OZ CAN SHIM	NARROW COLUMN / 3 DP+	201118
12 OZ CAN SHIM	NARROW SHIM / 16 OZ / 3 DEEP+	201108
NARROW SHIM	3 DEEP+ / 12 OZ CAN	201721
NARROW SHIM	16OZ BOTTLE	201132
W/A SHIM RIGHT	3 DEEP+ / .280 THICK	201160
W/A SHIM LEFT	3 DEEP+ / .280 THICK	201170
W/A SHIM LEFT	3 DEEP+ / POWERADE	201182
W/A SHIM RIGHT	3 DEEP+ / POWERADE	201183
WIDE SHIM RIGHT	3 DEEP+ MERLIN / 12 OZ CAN	201722
WIDE SHIM LEFT	3 DEEP+ MERLIN / 12 OZ CAN	201723
WIDE SHIM RIGHT	20 OZ BOTTLE / 3 DEEP+	201129
WIDE SHIM LEFT	20 OZ BOTTLE / 3 DEEP+	201131
SHIM HANGING ROD	NARROW	811006
SHIM HANGING ROD	5/32 DIA X 33.5 LONG	811003

LOCKS & KEYS

PC LOCK-2 KEYS	KEYED RVP 2	812005
PC LOCK-2 KEYS	KEYED RVP 3	812006
PC LOCK-2 KEYS	KEYED RVP 4	812237
LOCK W/O KEYS PC	#RVP 2	812126
LOCK W/O KEYS PC	#RVP 3	812127
I KEY PC	RVP 1	912115
I KEY PC	RVP 2	912116
I KEY PC	RVP 3	912117
1KEY PC	RVP 4	912138

WIRING HARNESS

DOOR WIRING HARNESSES ARE FOR REV 1 BOARDS		
DOOR WIRING HARNESS	8 SEL PC/CD MERLIN	012934
DOOR WIRING HARNESS	6 SEL PC/CD NARROW MERLIN	040915
DOOR WIRING HARNESSES ARE FOR REV 2 BOARDS AND ABOVE		
DOOR WIRING HARNESS	10 SELECT PC/CD MERLIN	017905
DOOR WIRING HARNESS	10 SEL PC MERLIN C.D.C.	196902

MISCELLANEOUS

Part Name	Part Description	Part #
DOOR WIRING HARNESS	8 SE PC/CD MER (RUN 1272 & AFTER)	012912
DOOR WIRING HARNESS	6 NV SELECT PC/CD MERLIN	040904
DOOR WIRING HARNESS	6 SEL PC/CD MERLIN (630,540,444,372)	105903
DOOR WIRING HARNESS	5 SELECT NV PC/CD MERLIN	043904
DOOR WIRING HARNESS	7 SEL CC MERLIN C.D.C.	161902
DOOR WIRING HARNESS	PC/CD 10 & CC 9 SEL MERLIN III CDC	163902
DOOR WIRING HARNESS ARE FOR ALL ELECTRO-MECH VENDORS		
DOOR WIRING HARNESS	8 SELECT PC/CD REGULAR	012552
DOOR WIRING HARNESS	8 SELECT PC/CD REG. C.D.C.	195515
CABINET WIRING HARNESSES ARE FOR ALL MERLIN VENDOR		
CABINET WIRING HARNESS	10 SELECT PC/CD MERLIN	017904
CABINET WIRING HARNESS	10 SELECT PC/CD 618-10 MERLIN	220901
CABINET WIRING HARNESS	6 SELECT PC/CD (282,246,186) MERLIN	040903
CABINET WIRING HARNESS	6 SELECT PC/CD (540/630) MERLIN	114701
CABINET WIRING HARNESS ARE FOR ALL ELECTRO-MECH VENDORS		
CABINET WIRING HARNESS	8 SELECT PC/CD REGULAR	012701
MAIN WIRING HARNESS	ALL REGULAR VENDORS	842005
SELECT PANEL HARNESSES ARE FOR ALL MERLIN VENDOR		
SELECT PANEL HARNESS	10 SELECT PC/CD MERLIN	017903
SELECT PANEL HARNESS	10 SELECT PC/CD MERLIN C.D.C.	196901
SELECT PANEL HARNESS	8 SELECT PC/CD MERLIN	012543
SELECT PANEL HARNESS	6 SELECT PC/CD (282-6) MERLIN	040509
SELECT PANEL HARNESS	5 SELECT PC/CD (310-5) MERLIN	120501
SELECT PANEL HARNESS	5 SEL NV PC/CD (200) MERLIN	043506
ACCESSORY HARNESSES		
EXTERNAL D.E.X HARNESS	5.09 AND HIGHER, 10.00, 11.00 (EXTERNAL)	842119
DEX ROYAL HARNESS	ROYAL -- DEX (INTERNAL)	842099
IRON FERRITE JUMPER ASSY	FOR BOARD	011103
IRON FERRITE JUMPER ASSY	FOR BALLAST	010175
INTERFACE MOTOR HARNESS	VERSION 1 OR 2 TO VERSION 5 OR 6	842065
INTERFACE VALIDATOR HARNESS	VERSION 1 OR 2 TO VERSION 5 OR 6	842066
MAIN WIRING HARNESS	ALL MERLIN	842063
MAIN WIRING HARNESS	ALL MERLIN 4	842169
MECHANISM HARNESS	MERLIN IV / 12 COLUMNS-PRIOR TO 1521	842174
MECHANISM HARNESS	MERLIN IV / 12 COLUMNS-1521 & AFTER	842230
MECHANISM HARNESS	MERLIN IV / 10 COLUMNS-1521 & AFTER	842231
POWER LEAD	FEMALE END FROM LINE FILTER	842030
REFRIGERATION /RELAY HARNESS	CABINET SIDE	842237
REFRIGERATION /RELAY HARNESS	DOOR SIDE	842236
REFRIGERATION RELAY HARNESS	WIDE DOOR SIDE CDC MERLIN III	842235
TEMP SENSOR		822030

CONTROL BOARDS / CHIPS

CONTROL BOARD	5.06	836052
CONTROL BOARD	5.11	836052

MISCELLANEOUS

Part Name	Part Description	Part #
CONTROL BOARD	11.06 PC/CD/DP	836068
CONTROL BOARD	ROYAL COLD CAN -PC/CD(COMPACT VENDOR)	836085
CONTROL BOARD	PC/CD MERLIN 4 (3 BUTTON)	836094
CONTROL BOARD	P.C. BOARD ASSY, MERLIN IV, COINCO MULTI-LAYER	836134
CONTROL BOARD CHIP	5.11	836048
CONTROL BOARD CHIP	11.06	836069
CONTROLLER CHIP - REV.	REV. 41.05 (3 BUTTON POGRAMMING)	836095
CONTROL BOARD	3 BUTTON TDV COINCO MULTI-LAYER	836143
CIRCUIT BOARD TEST BOX	TO TEST CONTROL BOARDS	011129

ELECTRONIC ACCESSORIES

CONVERSION KIT	ELECTRONIC REFRIGERATION CONTROL	012162
MERLIN CONVERSION KIT	CD/PC VERSION 5.00 TO VERSION 11.00	012153
SMALL WATER BOTTLE VEND KIT	79"MERLIN 4 (2.500")	256110
SMALL WATER BOTTLE VEND KIT	72" MERLIN 4 (2.500")	257110
RECOMMENDED INVENTORY PART	MERLIN IV 3 BUTTON	256910
LAMP RELAY KIT	MERLIN III	141160
KEY SWITCH LOCK KIT	NO VEND	012156
KEY SWITCH LOCK KIT	NO VEND MERLIN IV	256140
FREE VEND SWITCH KIT	FREE VEND	012154
FREE VEND SWITCH KIT	FREE VEND MERLIN IV	256150
KEY SWITCH LOCK	MERLIN II	011126
VEND COUNTER ASSEMBLY	110 VOLT	010150
VEND COUNTER ASSEMBLY	MERLIN 1.16A AND UNDER	010193
VEND RELAY	ELECTRO-MECH	836001

LOCK COVERS

LOCK COVER ASSEMBLY	BEFORE RUN CC 1172, CD 1032, PC1045 2PCS	010110
LOCK COVER ASSEMBLY	CD 1033 & NEWER, CC 1173 TO 1207 3PCS	011140
LOCK COVER ASSEMBLY	PC & DP 1045 & NEWER	012130
LOCK COVER KIT	PC CENTER DOOR CHANGER	195513
STRIKE/LOCK PLATE	VANDAL RESISTANT	810039
LOCK PLATE	VANDAL RESISTANT	810038
LOCK COVER STRIKE	FOR 2 PCS LOCK COVER	010116
LATCH PLATE	FOR RUN 1173 TO 1207	810020
LOCK PLATE	FOR RUN 1173 TO 1207	810019

CHANGER ACCESSORIES

COIN CHANGER RECEPTACLE	ELECTRO-MECH/JONES PLUG TERMINAL	940004
COIN CHANGER SOCKET	ELECTRO-MECH/JONES PLUG HOUSING	940009
15 WAY CHANGER SOCKET	MERLIN	840059
HARNESS ASSY SERIAL CHANGER	SERIAL CHANGER HARNESS / FROM BOARD	842079
CHANGER PLUG HARNESS	C.D.C. FOR "L" CHANGER RUN 1374 AFTER	195906

MISCELLANEOUS

Part Name	Part Description	Part #
CHANGER PLUG HARNESS ASSY	MERLIN	010914
CHANGER PLUG HARNESS-110VDC	A.V.I. VENDORS	122525
COIN INSERT COVER	VENDORS W CAST IRON COIN INSERT	012119
WATER SHIELD	COIN INSERT	012530

KITS AND ASSEMBLIES

PATCH PLATE KIT	FOR SECURITY PLATE / PC / CD	012191
MULTI PRICE KIT	PC/CD	012171
KEY SWITCH LOCK KIT	REG	012151
SECURITY PLATE/TOP HINGE KIT	FOR ALL VENDORS	141017
VALIDATOR JUMPER ASSY	COINCO & MARS	010138
DEBITEK PLATE ASSEMBLY	FOR MOUNTING CARD READER (DEBITEK)	141103

STACK ACCESSORIES

SWITCH INSULATOR SPACER	FOR SOLD OUT SWITCHES	815016
SOLD OUT BAR	8 SELECT	010733
SOLD OUT PADDLE	NARROW	010731
SOLD OUT PADDLE	WIDE	010729
SOLD OUT COVER	WIDE	010033
CAM	3-DEEP OSCILLATOR	815048
CAM	3-DEEP ROTOR	815049
CAM	2 DEEP	815027
79" GATE W/A	6W/1N REGULAR	027710
79" GATE W/A	4W/4N REGULAR	010760
79" GATE W/A	4W/4N MERLIN	010910
79" GATE W/A (SMALL)	1W/9N MERLIN	015910
GATE W/A SMALL	3W/3N MERLIN 72"	036910
79" GATE W/A (LARGE)	1W/9N MERLIN	015920
79" GATE W/A	1W/9N REGULAR	015720
72" GATE W/A	4W/4N WIDE REGULAR	011710
72" GATE W/A	4W/4N WIDE MERLIN	011910
72" GATE W/A	1W/9N WIDE REGULAR	016720
72" GATE W/A (SMALL)	1W/9N WIDE REGULAR	016710
72" GATE W/A (SMALL)	1W/9N WIDE MERLIN	016910
72" GATE W/A (LARGE)	1W/9N WIDE MERLIN	016920
72" GATE W/A 3-DEEP	4W/4N WIDE MERLIN	059910
MECH. GATE W/A	72" 16OZ 3 DP MERLIN CD/PC (510)	204920
MECH. GATE W/A	SMALL 9/10 SEL MERLIN 72" 3 DEEP	091910
HEM CHANNEL CAP	ALL	815024
LATCH	GATE	010725
VEND MOTOR COVER	WIDE & 3-DEEP	010029
VEND MOTOR COVER	NARROW	036003
MECH. PLATE	REAR 8 SELECT 4/W 4/N	010703
MECH SUPPORT	2 DEEP	010005