

# Diversified 2005

Royal Vendors is dedicated to providing  
the highest level of customer service in the industry.



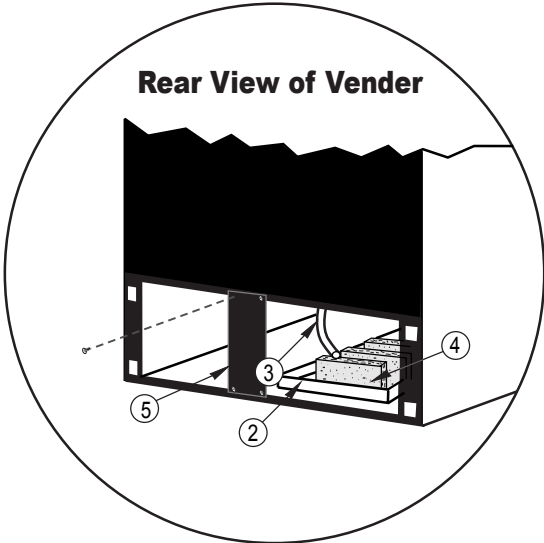
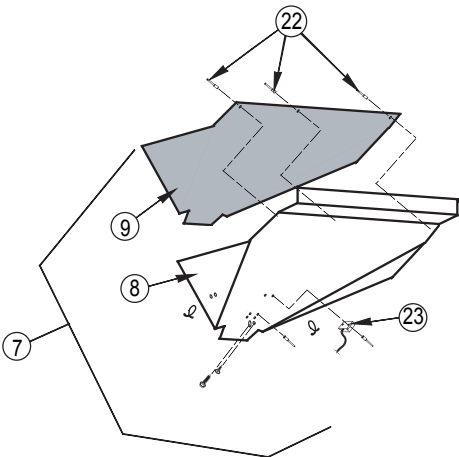
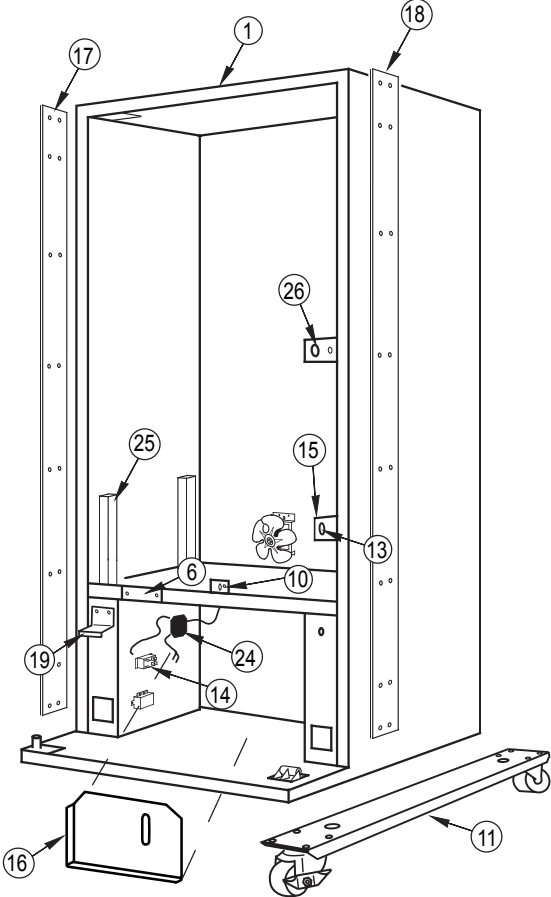
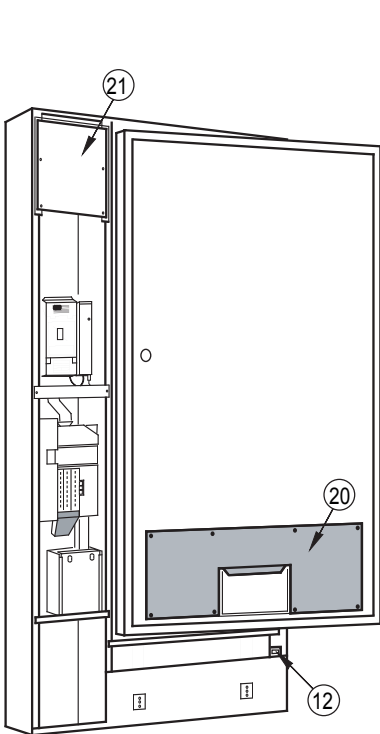
**ROYAL VENDORS, INC**  
426 Industrial Boulevard  
Kearneysville WV 25430

**Customer Service:**  
1 . 8 0 0 . 9 3 1 . 9 2 1 4  
3 0 4 . 7 2 8 . 7 0 5 6

# TABLE OF CONTENTS

Cabinet .....	2
Hinge, Lifter, & T-Handle Assembly .....	4
Vend Mechanism Assembly .....	6
Evaporator Fan .....	8
Refrigeration .....	10
Door Assembly, Front .....	12
Door Assembly, Rear .....	14
Changer .....	16
Port .....	18
Vandal Resistant Door, Rear .....	20
Select Panel Assembly, Front .....	22
Inner Door .....	24
Flat Horizontal Display, Door Front .....	26
Flat Horizontal Display, Door Rear .....	28
Door Assembly Front, Dr Pepper Vision 4 .....	30
Door Assembly Rear, Dr Pepper Vision 4 .....	32
Coin Insert Assembly Front, Dr Pepper Vision 4 .....	34
Coin Insert Rear & Button Panel Assembly, Dr Pepper Vision 4 .....	36
Electrical Connectors .....	38
Labels & Decals .....	38
Manuals .....	39
Screws, Bolts, Washers, Etc. ....	39
Shims .....	40
Locks and Keys .....	42
Wiring Harnesses .....	42
Control Boards / Chips .....	43
Electronic Accessories .....	43
Lock Covers .....	43
Changer Accessories .....	43
Kits and Assemblies .....	44
Stack Accessories .....	44

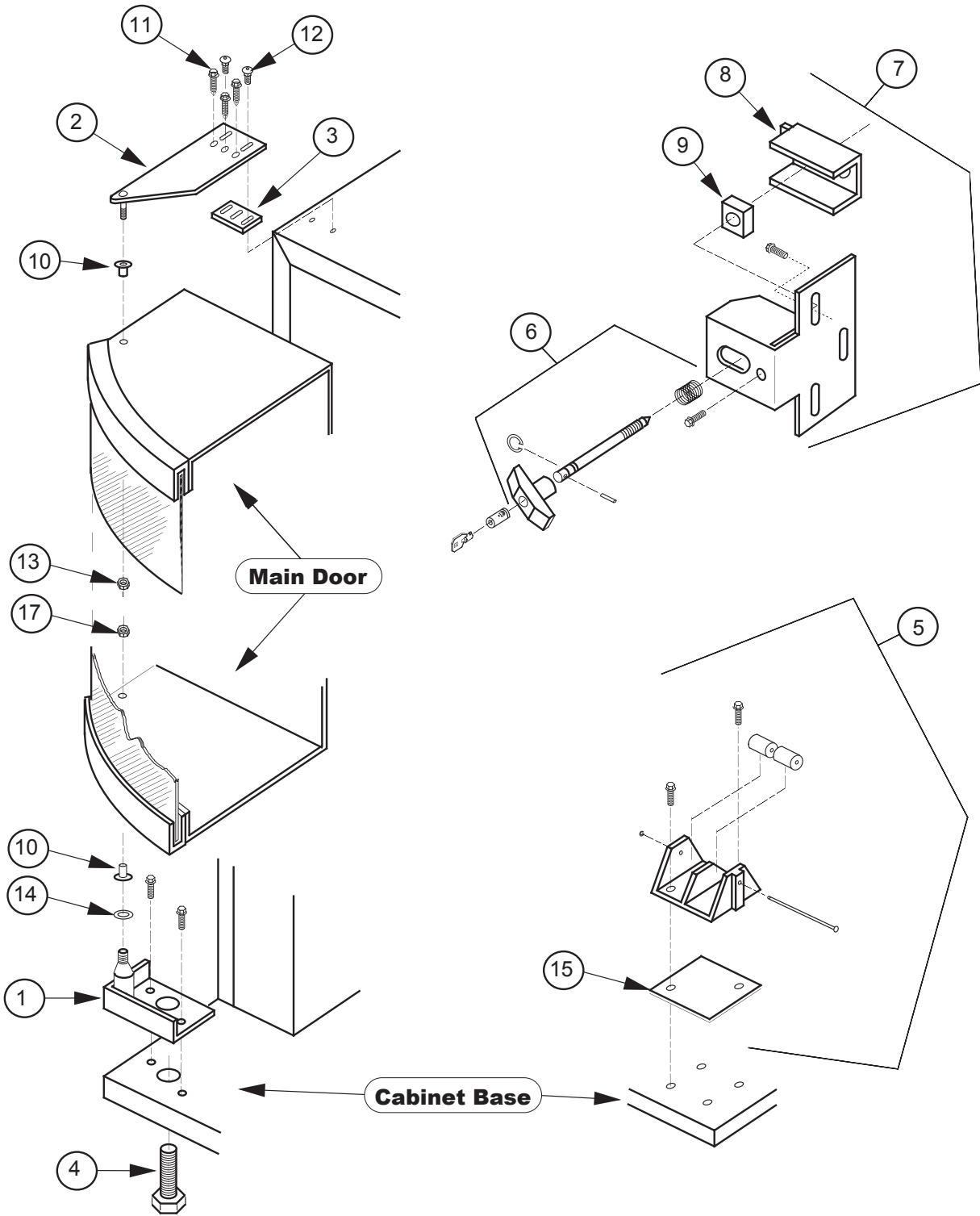
# CABINET



# CABINET

Item #	Part Name	Part Description	Part #
	CABINET SHELL (FOAMED)	72" WV MERLIN 4	257220
	CABINET SHELL (FOAMED)	72" WIDE 2-DEEP (IDENTIFY COLOR)	011220
	CABINET SHELL (FOAMED)	72" 3-DEEP (IDENTIFY COLOR)	059210
	DRAIN TUBE ASSEMBLY	ALL VENDORS	141120
2	CONDENSATE PAN		815368
	LARGE DRAIN PAN	FOR A LARGER CONDENSATION PAN	011139
3	DRAIN HOSE	USE ALONG WITH DRAIN TUBE	925048
4	CELLULOSE SPONGE	FOR DRAIN PAN	815037
5	REAR BAFFLE	WIDE VENDORS	010188
	BACK SCREEN	WIDE	141001
6	WIRING COVER PLATE	LOCATED LEFT SIDE OF TANK	010002
	THERMOSTAT BRACKET W/A	ALL EXCEPT MERLIN III	010020
7	CAN CHUTE ASSY	WV MIV LESS SENSOR	256070
	WIDE CAN CHUTE ASSEMBLY	2 DEEP MERLIN & REG LESS SENSOR	010060
	WIDE CAN CHUTE ASSEMBLY	3 DEEP MERLIN & REG LESS SENSOR	058020
	NARROW CAN CHUTE ASSEMBLY	2 DEEP MERLIN & REG LESS SENSOR	036010
	CAN CHUTE	NARROW MERLIN 4	258001
8	CAN CHUTE	WIDE MERLIN 4	256005
9	CAN CHUTE LINER	NARROW MERLIN 4	815270
	CAN CHUTE LINER	WIDE	010021
	CAN CHUTE LINER	WIDE MERLIN 4	815262
10	CAN CHUTE TIE BRACKET	ON CABINET	010017
	CAN CHUTE BRACKET	ON CHUTE (UNIVERSAL)	141014
11	HEAVY DUTY CASTER ASSY	2-DEEP	011180
	HEAVY DUTY CASTER ASSY	3-DEEP	058160
	HEAVY DUTY CASTER ASSY	3-DEEP+	201181
	HEAVY DUTY CASTER ASSY	MIV	256130
12	DOOR SWITCH	DOOR SWITCH--RUN 1521 & AFTER	835019
13	DOOR SWITCH	DOOR SWITCH--PRIOR TO RUN1521	835003
	FILTER ASSY	PO# 1079 OR BEFORE	011123
	FILTER ASSY	PO# 1080 OR AFTER	011124
14	RELAY	24 VOLT	836065
	RELAY CONVERSION KIT	MERLIN III	147508
15	DOOR SWITCH BRACKET	FOR MOUNTING DOOR SWITCH	010045
	DOOR SWITCH BRACKET	MERLIN 4	256002
16	CONDENSOR BAFFLE		010403
17	LEFT VANDAL PANEL	72" (SPEC. COLOR)RUN 1302 & BEFORE	011001
	LEFT VANDAL PANEL	79" (SPEC. COLOR)RUN 1302 & BEFORE	010022
18	RIGHT CABINET VANDAL PANEL	72" (IDENTIFY COLOR)	011002
	RIGHT CABINET VANDAL PANEL	79 1/2" (IDENTIFY COLOR)	012122
19	DOOR SWITCH ACTIVATOR		231009
20	INNER DOOR COVER	WV	815259
21	PC BOARD COVER		141903
22	RIVOTS	1/8"	908004
23	DELIVERY CHUTE SENSOR		836004
24	MAIN WIRING HARNESS		842063
25	MECH SUPPORT W/A		256013
26	LATCH STRIKE ASSY	BEFORE 1530	010030
	LATCH STRIKE ASSY	AFTER 1530	281010

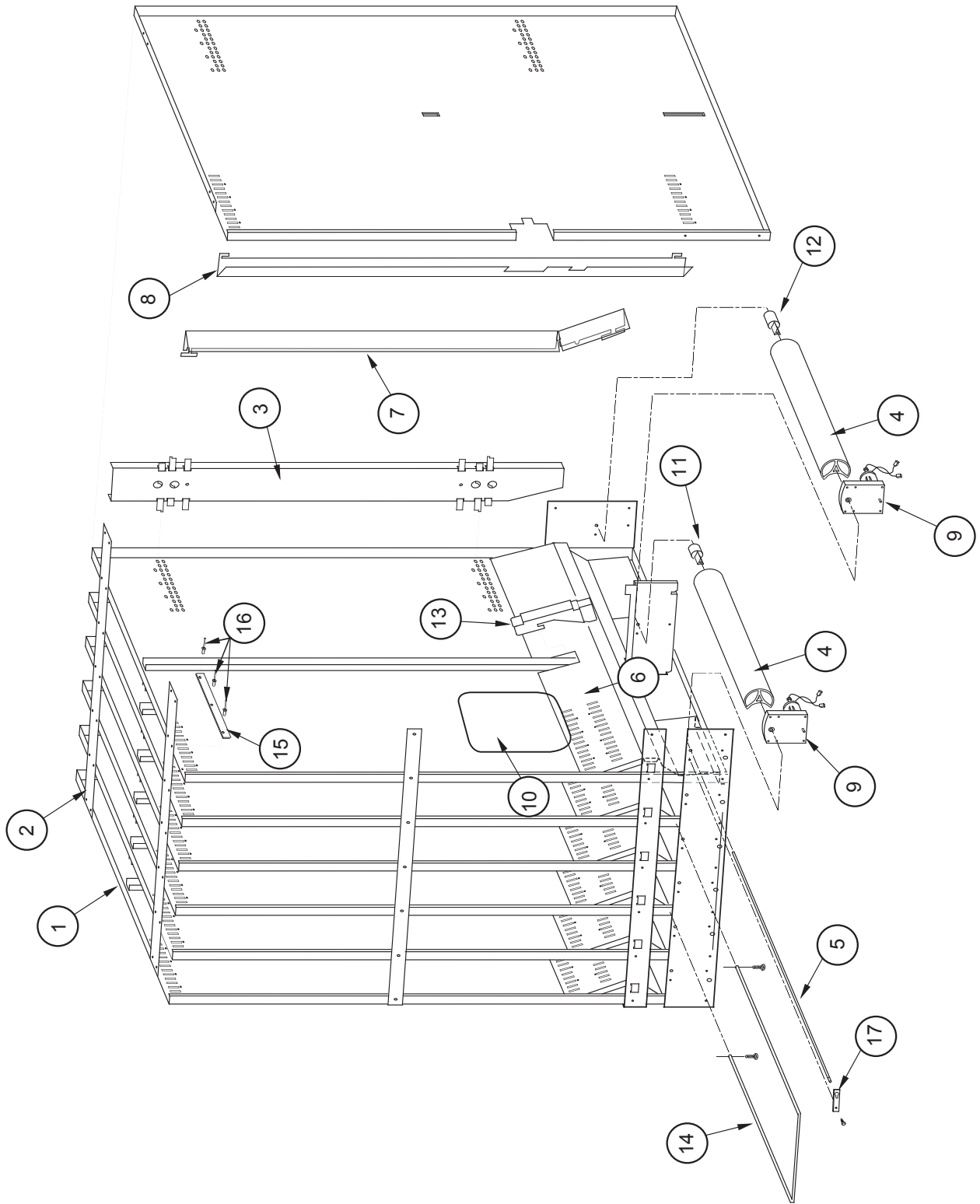
# HINGE, LIFTER, & T-HANDLE ASSEMBLY



# HINGE, LIFTER, & T-HANDLE ASSEMBLY

Item #	Part Name	Part Description	Part #
1	BOTTOM HINGE ASSY.	MAIN DOOR	010040
2	TOP HINGE	LEFT OF MAIN DOOR	810002
3	TOP HINGE SPACER	DOOR	010016
4	LEVELING LEG	#5/8-11	803002
5	DOOR ROLLER KIT	ALL VENDORS	141180
6	T HANDLE ASSEMBLY	ALL	812001
	T-HANDLE ASSEMBLY	ALL VANDAL RESISTANT PC	812176
	T HANDLE BODY	ALL	812134
	T HANDLE STUD	ALL	803006
	T-HANDLE BRACKET	ALL VANDAL RESISTANT PC	011505
	T HANDLE	FLUSH MOUNT FOR ROYAL DISPLAY	812138
	RETAINING RING FOR THE T-HANDL	C-CLIP	912157
7	LATCH STRIKE ASSY MAIN		010030
	LATCH STRIKE	PC (VRD/CDC)	195509
	LATCH STRIKE	W/A	281002
8	NUT RETAINER	FOR LATCH STRIKE ASSEMBLY	010028
9	SQUARE NUT	1/2-13/T-HANDLE LATCH ASSY.	905005
10	TOP DOOR BUSHING	.438 ID X .556 OD X .38	803003
11	SELF TAPPING	1/4-20X1	901003
12	CARRIAGE BOLT	1/4-20X1 1/4	901008
13	KEPS NUT	5/8	905016
14	FLAT WASHER		904002
15	DOOR ROLLER SPACER		010015
16	RETAINER RING	5/32	906005
17	KEPS NUT	1/4-20	905002

# VEND MECHANISM ASSEMBLY

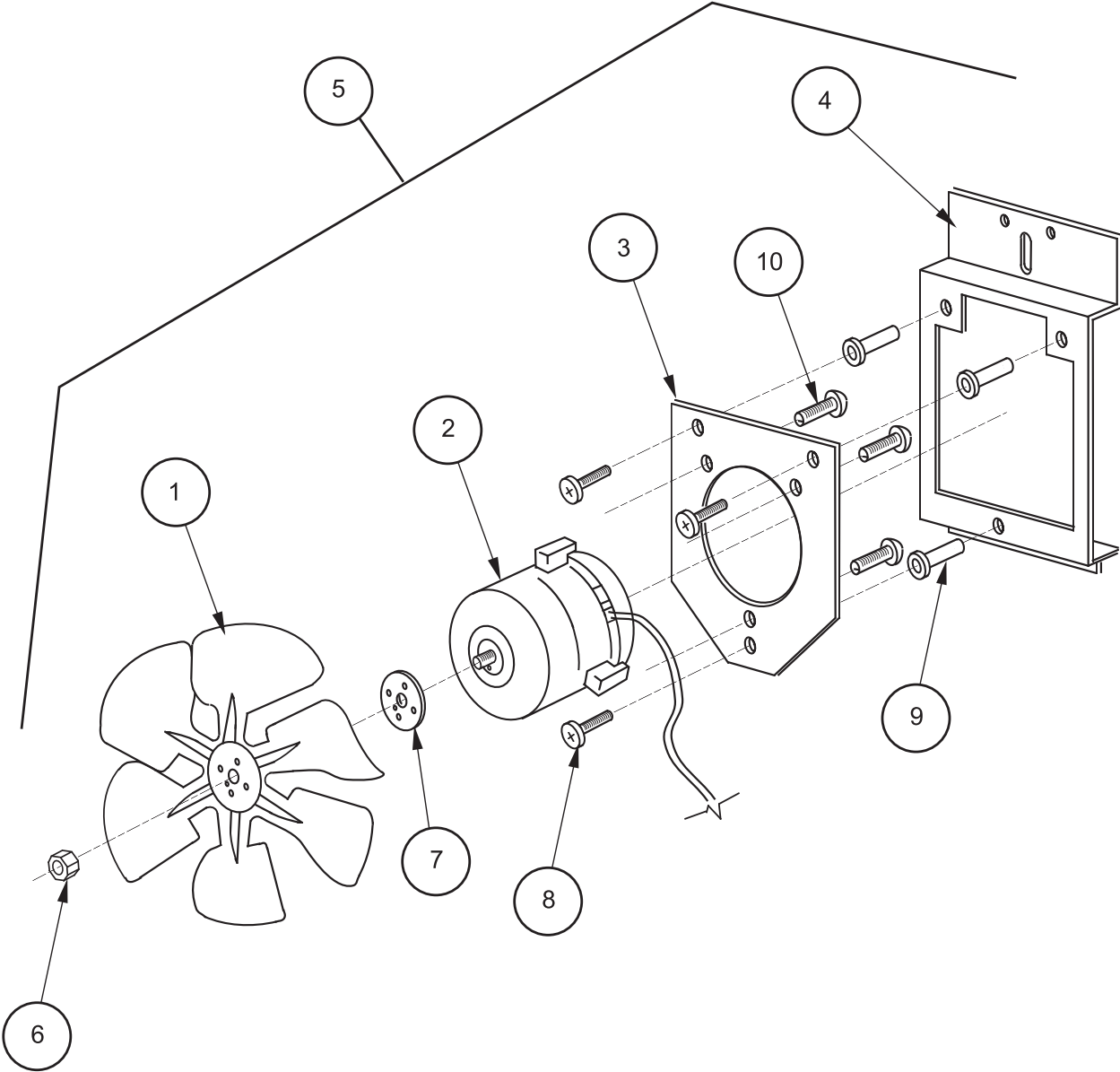


# VEND MECHANISM ASSEMBLY

Item #	Part Name	Part Description	Part #
1	VEND MECH. ASSY	12 COLUMN 79"	256710
	VEND MECH. ASSY	12 COLUMN 72"	262720
	VEND MECH. ASSY	10 COLUMN 79"	258710
	VEND MECH. ASSY	10 COLUMN 72"	264710
	VEND MECH. ASSY	552-8 REGULAR/ALL VENDORS	061901
	VEND MECH ASSY	3 D+ 72" 552-7,8 ELECT	157900
3	BACK SPACER ASSY	79"	256730
	BACK SPACER ASSY	72"	257730
	BACK SPACER ASSY	NARROW 79"	010750
	BACK SPACER ASSY	WIDE 79"	010740
	BACK SPACER ASSY	NARROW 79" 3 DEEP	058750
	BACK SPACER ASSY	NARROW 72" 2 DEEP	011730
	BACK SPACER ASSY	WIDE 72" 2 DEEP	011720
	BACK SPACER ASSY	NARROW 72" 3 DEEP	059750
	BACK SPACER ASSY	WIDE 72" 3 DEEP	059730
	BACK SPACER ASSY	79.5" WIDE 16 OZ 3 DEEP (600, 609,630)	201730
	BACK SPACER ASSY	79.5" NARROW 16 OZ 3 DEEP (609)	201710
	BACK SPACER ASSY	72W/3DP 16OZ. 510 W/REG & 16OZ N COL	202730
	NARROW SPACER	10 OZ 3 DEEP	201708
	REAR CAN RETAINER	MIV	810054
	BACK SPACER	72" MERLIN 4	257704
	DOUBLE FINGER	USED ON WIDE BACK SPACER	010704
	SINGLE FINGER	16 OZ 3 DEEP	201707
	SINGLE FINGER	USED ON NARROW BACK SPACER	010705
	BACK SPACER	79" MERLIN 4	256713
4	PLASTIC ROTOR	MIV	815305
	ROTOR	2-DEEP/NARROW COLUMN	809002
	ROTOR	3-DEEP	809007
	ROTOR	16 OZ 3 DEEP+	809026
	ROTOR	3 DEEP+	809027
	FRONT ROTOR	MERLIN IV	256740
	REAR ROTOR	MERLIN IV	256750
	OSCILLATOR	2-DEEP/WIDE COLUMN	809003
	OSCILLATOR	3-DEEP	809008
	ROTOR ROD	MIV	803035
5	ROTOR RETAINER	NARROW MOTORS	010746
	CAN FUNNEL	MERLIN IV	256712
6	BOTTLE FUNNEL	1 LITRE MERLIN IV	256102
	CAN FILLER	FRONT / 1L FUNNEL / MIV	256107
	CAN FILLER	REAR / 1L FUNNEL / MIV	256108
	CAN FILLER - REAR	25 CL / MIV	256112
	LITER KIT MERLIN IV 72"	FOR VENDORS NOT CAPABLE OF 1 LITERS	257140
	LITER KIT MERLIN IV 79"	FOR VENDORS NOT CAPABLE OF 1 LITERS	256911
	FRONT PACKAGE RETAINER LEFT	79" MERLIN IV	810093
7	FRONT PACKAGE RETAINER LEFT	72" MERLIN IV	810095
	FRONT PACKAGE RETAINER RIGHT	79" MERLIN IV	810092
8	FRONT PACKAGE RETAINER RIGHT	72" MERLIN IV	810094
9	VEND MOTOR ASSY (HEAVY DUTY)	2-DEEP /72" 3 DEEP NARROW REG	010720
	VEND MOTOR ASSY	2-DEEP WIDE REG	010730
	VEND MOTOR ASSY	WIDE 79" 3-DEEP REG	058710
	VEND MOTOR ASSY	NARROW 72" 3-DEEP REGULAR	059770
	VEND MOTOR ASSY	WIDE 72" 3-DEEP REGULAR	059760
	VEND MOTOR ASSY	2-DEEP /72" 3 DEEP NARROW MERLIN	010770
	VEND MOTOR ASSY	2 DEEP "MERLIN" WIDE COLUMN	010780
	VEND MOTOR	LOW TORQUE	839031
	VEND MOTOR ASSY	3 DEEP BOTTLE /79" CAN WIDE MERLIN	058940
	VEND MOTOR ASSY	3 DEEP BOTTLE / 79" CAN NARROW MERLIN	058950
	ANTI-FRICTION SHEET		915197
10	FRONT ROTOR BEARING	MERLIN IV	915156
11	REAR ROTOR BEARING	MERLIN IV	915222
12	FUNNEL ANGLE / MIV	MIV	810096
13	FUNNEL ANGLE / MIV	1PER COL. WHEN SETTING UP 1 LITRE	256105
	CASE SUPPORT	MERLIN IV	811026
14	RUBBER STRIP		915199
15	RIVOT	1/8	908002
16	ROD RETAINER		256714
17	ANTI-TILT SPRING		810054



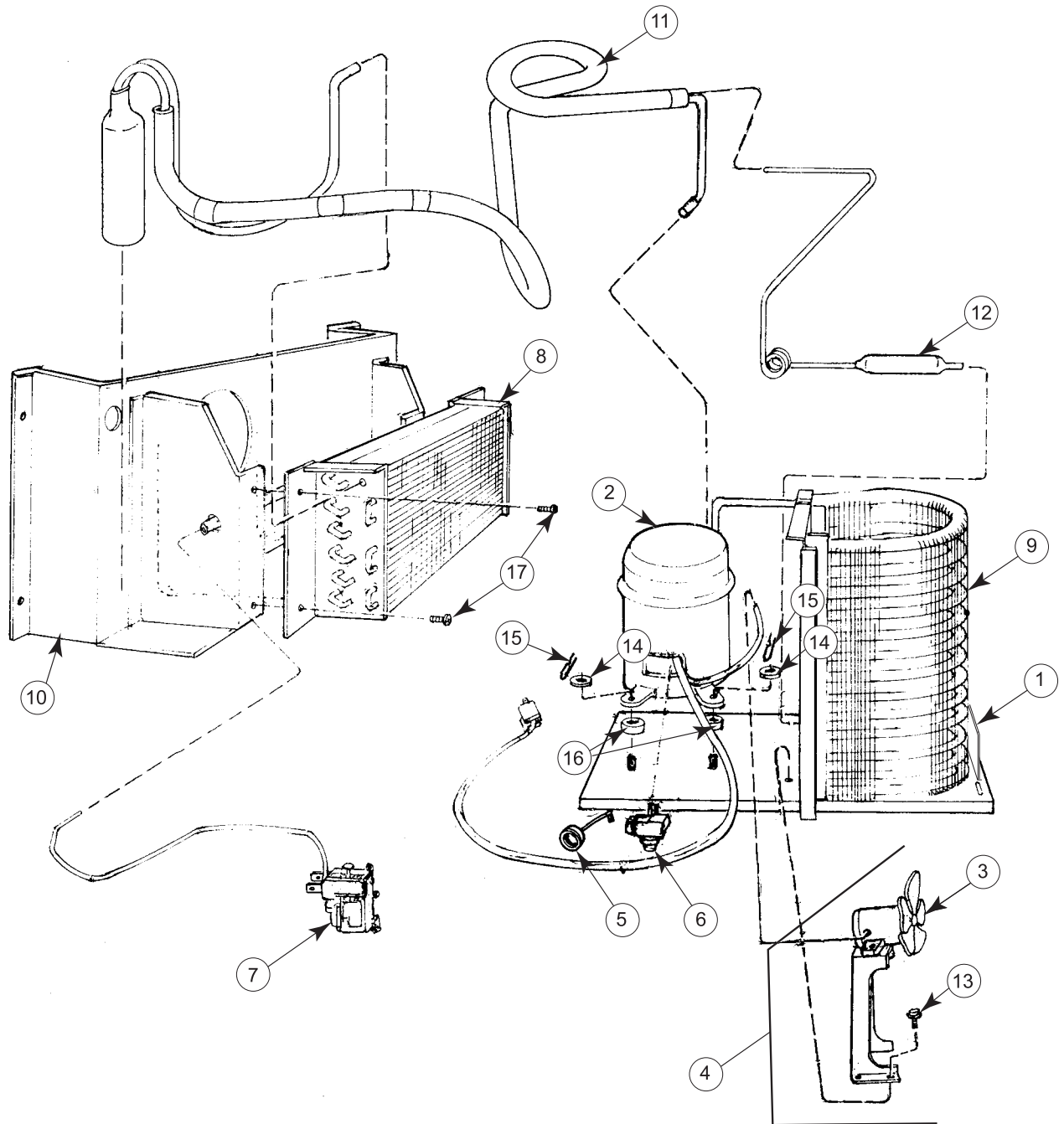
# EVAPORATOR FAN MOTOR



# EVAPORATOR FAN MOTOR

Item #	Part Name	Part Description	Part #
1	EVAPORATOR FAN BLADE	8" 6 BLADE FAN	810045
2	EVAPORATOR FAN MOTOR	35 W / 115V	303121
	EVAPORATOR FAN MOTOR	6 WATT	839001
3	EVAPORATOR FAN PLATE		010058
4	EVAPORATOR MOUNTING BRACKET		231005
	EVAPORATOR MOUNTING BRACKET	ASSY	010064
	FAN MOTOR BRACKET	EVAPORATOR FAN BRACKET	010006
	EVAP. FAN HOUSING	MERLIN IV EXPORT	231020
5	EVAPORATOR FAN MOTOR ASSY	ALL ITEMS	303121
	EVAPORATOR FAN ASSEMBLY	MOTOR AND BLADE	010050
6	NUT	1/4-20	905002
7	SILENCER		939037
8	MACHINE SCREW	8-32X3/8	901038
9	WELL NUT		905026
10	SCREW	8-32X3/8	901011

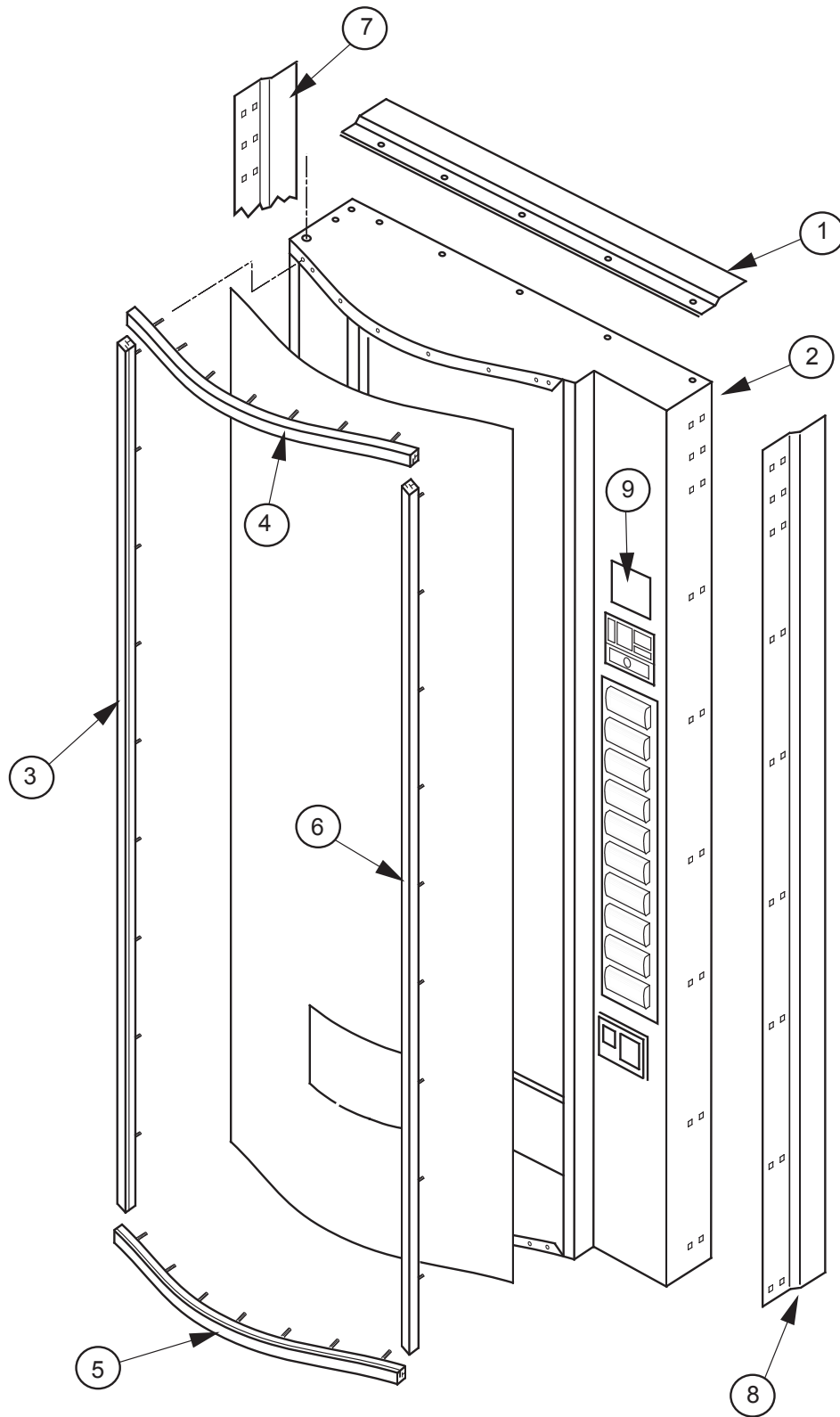
# REFRIGERATION



# REFRIGERATION

Item #	Part Name	Part Description	Code/Voltage	Part #
1	REFRIG. SYSTEM- NON CAP START	1/3+ 115V R134A TEC		256420
	REFRIG. SYSTEM- CAP START	1/3 R-134A TEC		141420
	REFRIG. SYSTEM- CAP START	1/3+ R-134A TEC		156430
	REFRIG. SYSTEM	1/3+ HP 220 V	ALL 220	141430
2	1/3+ HP COMPRESSOR R134A	CAP START HIGH TORQUE TECUMSEH		819028
	1/3+ HP COMPRESSOR R134A	TECUMSEH 220V		819030
	1/3+ HP COMPRESSOR R134A	115V TEC.		819015
	1/3 HP COMPRESSOR R134A	CAP START HIGH TORQUE TECUMSEH		819042
3	CONDENSOR FAN BLADE	8 3/4 DIA		810014
4	CONDENSOR FAN MOTOR ASSY.	MOTOR AND BLADE		839010
5	OVERLOAD 1/3+	TECUMSEH		822010
6	COMPRESSOR RELAY	1/3+ HP TECUMSEH		822042
7	COLD CONTROL			822001
8	EVAPORATOR COIL			820002
9	CONDENSOR COIL			820007
10	EVAPORATOR FAN SHROUD ASSY	WIDE		256080
	EVAPORATOR FAN SHROUD ASSY	NARROW		258070
	EVAPORATOR COVER WIDE	WIDE VENDORS		010013
	EVAPORATOR COVER	NARROW VENDORS		095008
11	HEAT EXCHANGE			210425
12	DRYER			824005
13	SCREW	8-32X1/2		901006
14	GROMMET PLUGS			815017
15	COMPRESSOR CLIPS			914002
16	GROMMETS COMPRESSOR			916015
17	SCREW	8X1/2"		902004

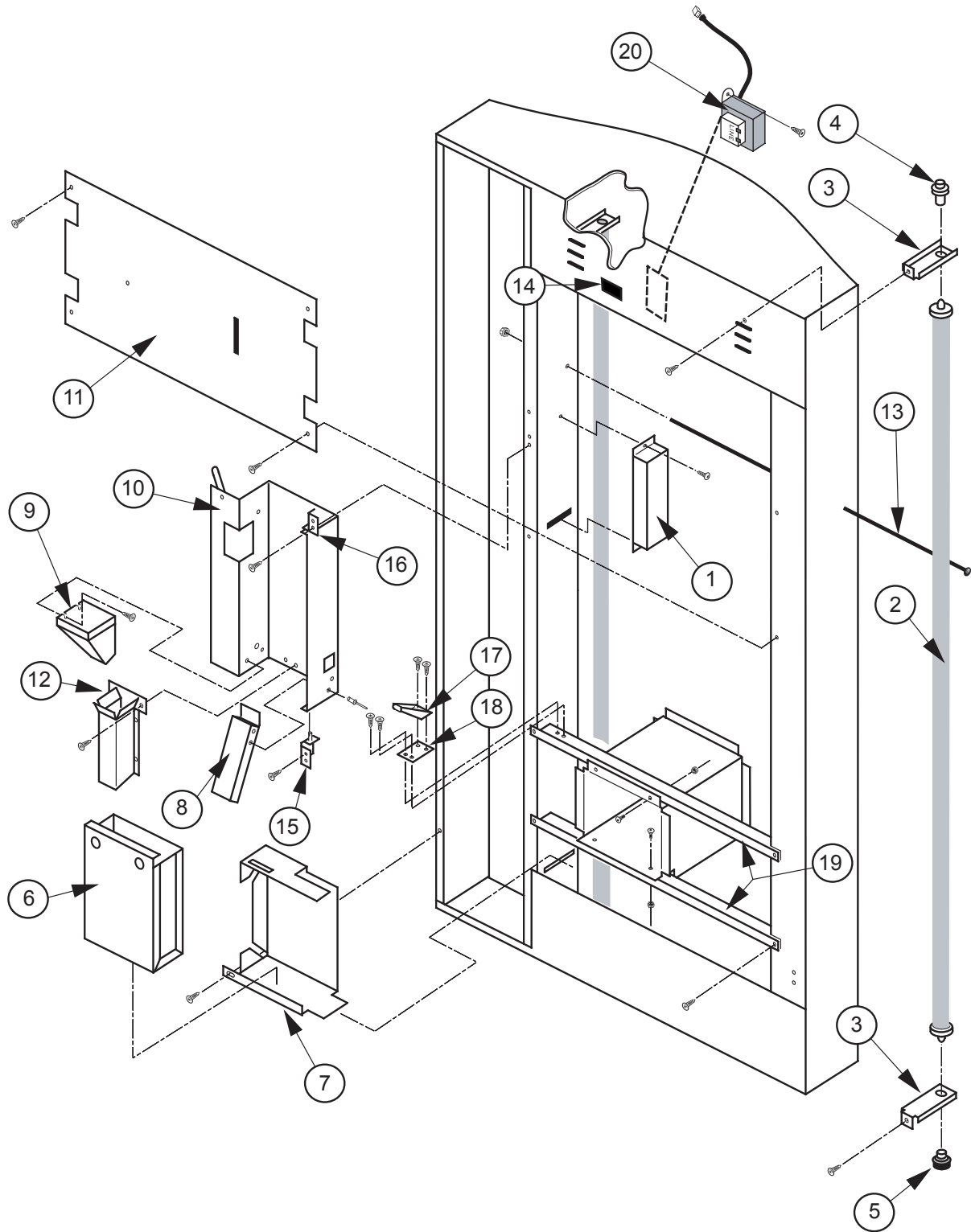
# DOOR ASSEMBLY, FRONT



# DOOR ASSEMBLY, FRONT

Item #	Part Name	Part Description	Part #
1	RAIN GUARD	NARROW VENDOR MERLIN 4	258504
	RAIN GUARD	NARROW / TOP OF DOOR	036503
	RAIN GUARD	WIDE / TOP OF DOOR	010518
2	WELDED DOOR ASSEMBLY	PC WIDE 79" / VDR	227510
	WELDED DOOR ASSEMBLY	PC 72" ROUND/WIDE	013510
	WELDED DOOR ASSEMBLY	PC 72" WIDE / VRD	228510
	WELDED DOOR ASSEMBLY	PC 72" NV MERLIN 4	264510
	WELDED DOOR ASSEMBLY	PC 79.5" ROUND/WIDE	012520
	WELDED DOOR ASSEMBLY	PC 79" NV MERLIN 4	263510
	WELDED DOOR ASSEMBLY	72" PC CDC WIDE	195520
	WELDED DOOR ASSEMBLY	79" PC CDC WIDE	198510
	WELDED DOOR ASSEMBLY	PC/CD MIV 79" WV 1533 & AFTER	273582
	WELDED DOOR ASSEMBLY	PC/CD MIV 72" WV 1533 & AFTER	274581
	WELDED DOOR ASSEMBLY	PC/CD MIV 72" NV 1533 & AFTER	264590
	WELDED DOOR ASSEMBLY	MIV 79" 1533 & BEFORE	229510
	WELDED DOOR ASSEMBLY	MIV 72" 1533 & BEFORE	230510
	DOOR ASSEMBLY COMPLETE	PC 72" 10 SEL REGULAR ROUND	196510
	DOOR ASSEMBLY COMPLETE	PC 79" 10 SEL MERLIN 4 ROUND CDC BOT.	273580
	DOOR ASSEMBLY COMPLETE	PC 72" N 6 SELECT MERLIN ROUND	040970
3	SIGN TRIM	LEFT SIDE TRIM 79" WIDE VENDER, PEPSI	141553
	SIGN TRIM	LEFT SIDE TRIM 72" NARROW VENDER, PEPSI	142502
4	SIGN TRIM	TOP TRIM WIDE VENDER, PEPSI	012553
5	SIGN TRIM	BOTTOM TRIM WIDE VENDER, PEPSI	012553
	SIGN TRIM	TOP/BOTTOM TRIM (M4) NARROW VENDER, PEPSI	263504
6	SIGN TRIM	RIGHT SIDE TRIM 79" WIDE VENDER, PEPSI	012554
	SIGN TRIM	RIGHT SIDE TRIM 72" WIDE VENDER, PEPSI	013507
	TRIM--PC	79.5"	012597
	TRIM--PC	72"	013580
7	LEFT VANDAL PANEL	79" (SPEC. COLOR)RUN 1303 & AFTER	141002
	LEFT VANDAL PANEL	57.5" (SPEC. COLOR)RUN 1302 & BEFORE	038001
	LEFT VANDAL PANEL	57.5" (SPEC. COLOR)RUN 1303 & AFTER	149002
	LEFT VANDAL PANEL	72" (SPEC. COLOR)RUN 1302 & AFTER	142001
8	RIGHT VANDAL PANEL	79" (IDENTIFY COLOR)	010519
	RIGHT VANDAL PANEL	57 1/2" (IDENTIFY COLOR)	038505
	RIGHT VANDAL PANEL	72" (IDENTIFY COLOR)	011501
	RIGHT CABINET VANDAL PANEL	57 1/2" (IDENTIFY COLOR)	038002
9	P.O.S. LEXAN PANEL	TUFF GUY P.O.S. WINDOW	171523
	P.O.S. WINDOW PLATE	P.O.S. WINDOW PLATE	123503

# DOOR ASSEMBLY, REAR

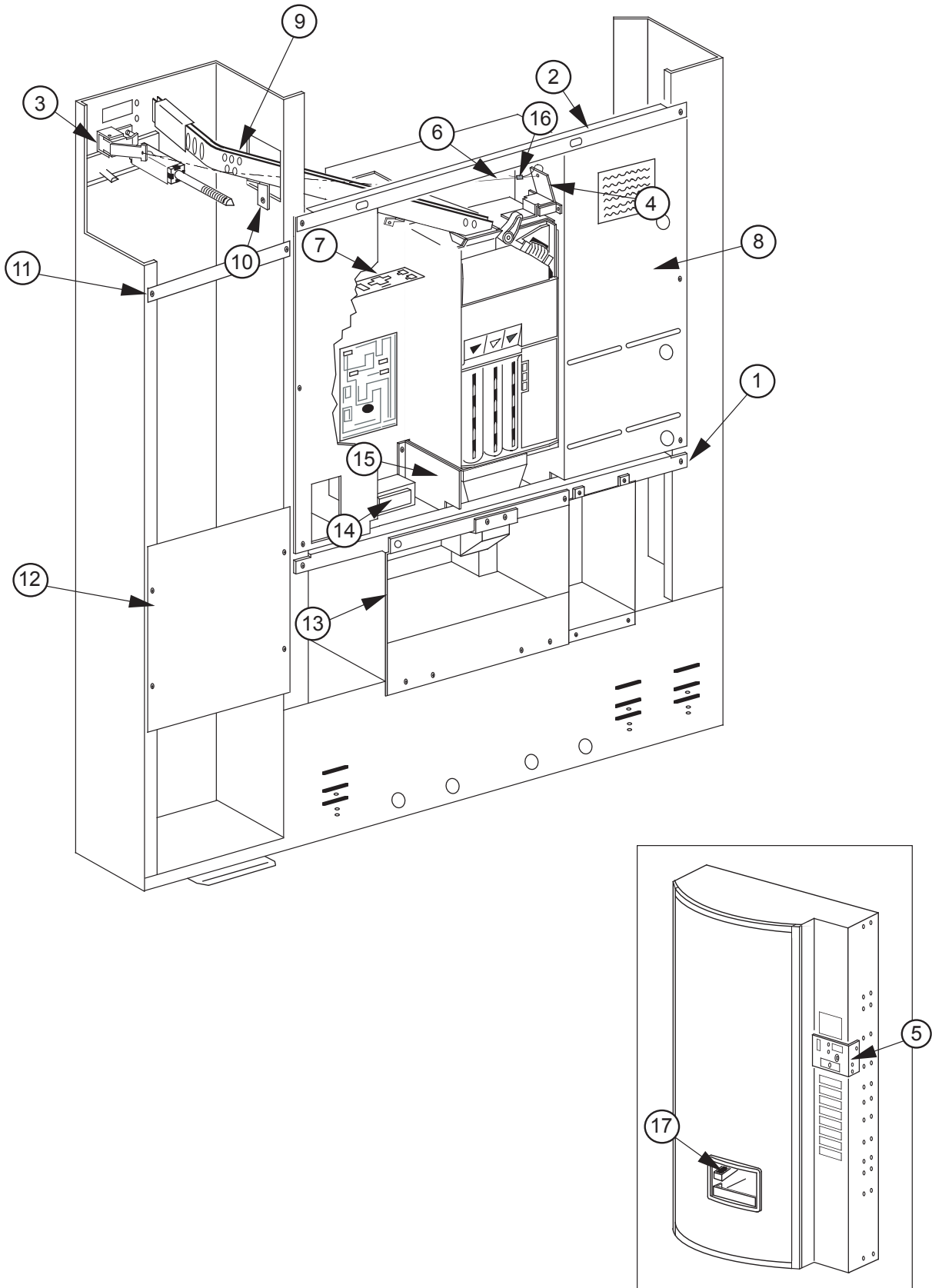


# DOOR ASSEMBLY, REAR

Item #	Part Name	Part Description	Code/Voltage	Part #
1	BALLAST ASSY.	PC/CD 79" MERLIN		012940
	BALLAST ASSY.	PC/CD 57.5" MERLIN (VALMONT)		042910
	BALLAST ASSY.	PC/CD 72 REG.		013550
	BALLAST ASSY.	PC/CD 72" W MERLIN		013920
	BALLAST ASSY.	PC/CD 72" NV MERLIN		040920
	BALLAST ASSY.	PC/CD 79" WIDE REG.		012591
	BALLAST ASSY	79" PC MERLIN C.D.C.		198920
	BALLAST ASSY	72" PC MERLIN C.D.C.		195910
	BALLAST ASSY	79" CD MERLIN (MAGNATEK) 220V	220V	013940
	BALLAST ASSY	72" CD MERLIN (MAGNATEK) 220V	220V	012921
	BALLAST HIGH OUTPUT	VALMONT		838003
	BALLAST SLIMLINE	PC/CD & INTERNATIONAL CC		838002
	BALLAST SLIMLINE	48" SL LAMP		838004
2	LAMP 72" SLIMLINE PC 79"	SOLD BY CASE (15)/SHIPPED WITH VENDORS		841005
	LAMP 64" SLIMLINE PC 72"	SOLD BY CASE (15)/SHIPPED WITH VENDORS		841006
3	LAMP BRACKET	ALL VENDORS		010517
	LAMP SOCKET ASSY.	PC / CD TOP		012518
	LAMP SOCKET ASSY.	PC / CD BOTTOM		012519
4	LAMPHOLDER	SLIMLINE #516 TOP-PC SPRING		842003
5	LAMPHOLDER	SLIMLINE #517 BOTTOM-PC		842004
	CORRECT CHANGE LAMP	ELECTRO-MECH		841010
6	COIN BOX WELD ASSY	WIDE		010580
	COIN BOX WELD ASSY	ALL CDC		815347
7	COIN BOX HOUSING	ALL VENDORS (EXCEPT CDC)		010537
	COIN BOX HOUSING W/A	ALL CDC		273540
	COIN BOX/VALIDATOR GUARD KIT	ALL		011190
	BAG CHUTE W/A HONOR GUARD	WIDE PC/CD/VF		012110
	SAFEGUARD COIN BOX	ALL VENDORS		010171
	SAFEGUARD COIN BOX	FOR 79 X CDC VENDORS		141127
	CASH BOX LOCK	LOCK CASH BOX KIT		812054
	SAFEGUARD FUNNEL			812110
	SAFEGUARD BOX W/KEYS			812111
8	BOTTOM COIN CHUTE ASSY.	PC/CD		012593
	OPENER COIN CUP ASSY.	PLASTIC		010565
	COIN CUP PLATE	USED W/OPENER COIN CUP		010552
	VENDOR DEFENDER	COIN CHUTE KIT		816055
	COIN CUP CONTOUR BOTTLE	3 DEEP+ CDC		231101
	COIN CUP	WIDE PORT CDC		273506
	COIN CHUTE ASSEMBLY	ALL STANDARD VENDORS		010532
9	COIN HOPPER	ALL VENDORS		815015
	HOPPER CHUTE	PC/CD / REAR		012512
	HOPPER CHUTE COVER	PC/CD / FRONT		012513
	HOPPER CHUTE KIT	PC/CD		013570
	COIN CHUTE ASSY	79 CDC		161590
	COIN CHUTE BRACKET	CDC		162502
	SUPPORT BRACKET	HOLDS COIN CHUTE CDC		161537
	CHANGER DOOR ASSY.	PC / CD		013560
10	CHANGER DOOR	ALL VENDORS (EXCEPT CDC/DP V4)		010544
	CHANGER DOOR LATCH ASSY.	ALL		011152
11	LAMP GUARD	WIDE / CENTER OF DOOR		012514
	LAMP GUARD	NARROW / CENTER OF DOOR		040501
12	HOPPER CHUTE ASSY	PC/CD WIDE		012538
13	TIE ROD - DOOR	5/32 DIA X 28.31 WIDE DOOR		811001
	TIE ROD	NARROW DOOR		811005
	FUSE	FOR FUSE BOX		842059
	FUSE	FOR TRANSFORMER		842135
	FUSE	MERLIN--OLD BOARD		942021
	FUSE BOX ASSY WITH LEAD	MERLIN 4 AMP		012165
	FUSE BOX ASSY	MERLIN 4 AMP		012166
15	CHANGER DOOR HINGE ASSY	BOTTOM		010560
16	CHANGER DOOR HINGE ASSY	TOP		010570
17	LATCH STRIKE	FOR INNER DOOR		812003
18	LATCH ROLLER BRACKET	FOR INNER DOOR LATCH STRIKE		010516
19	PORT BRACE	ALL WIDE VENDORS/TOP & BOTTOM BRACE		010515
	PORT BRACE	ALL NARROW VENDORS/TOP & BOTTOM BRACE		036502



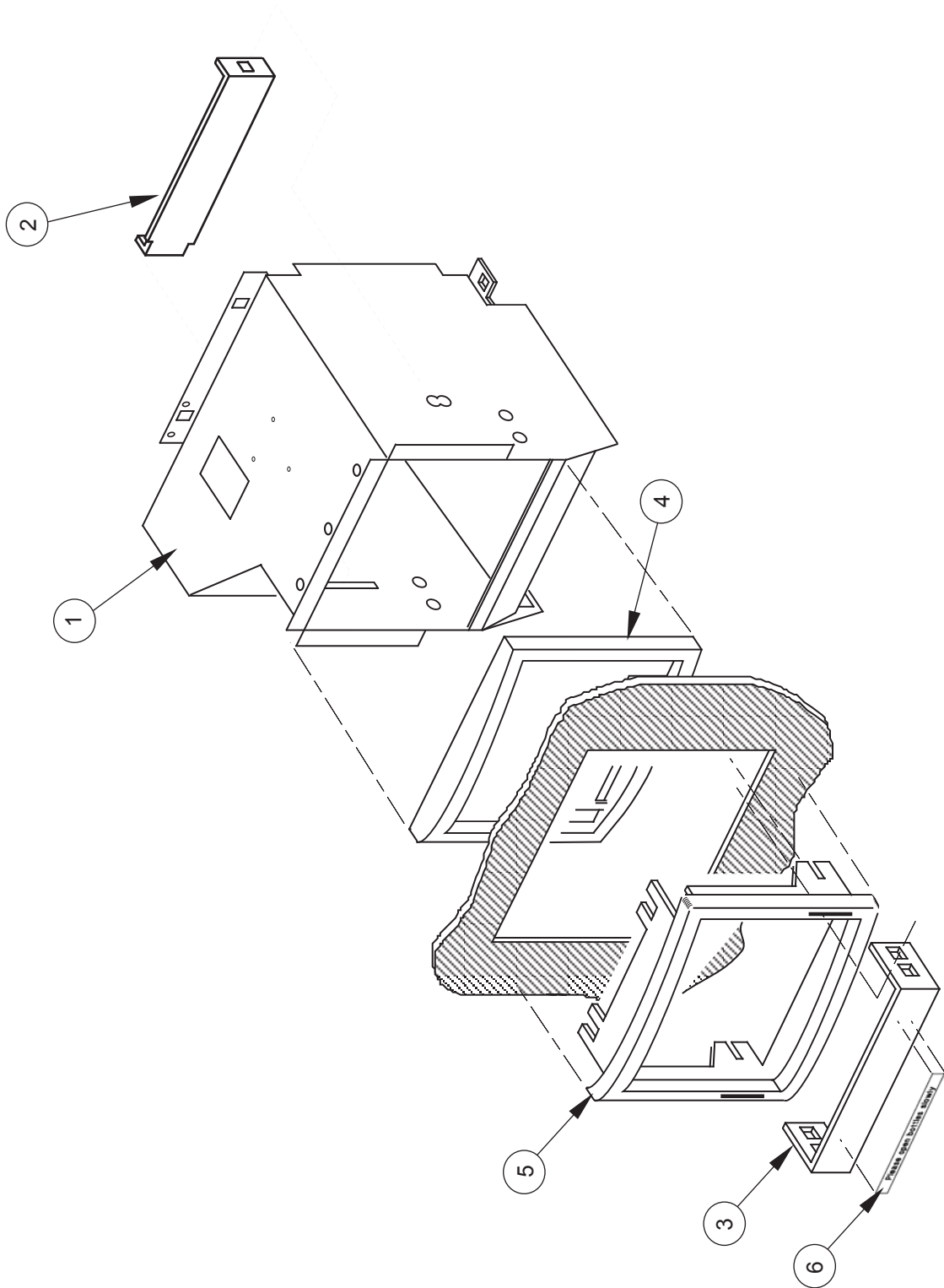
# CHANGER



# CHANGER

Item #	Part Name	Part Description	Part #
1	PORT BRACE W/A	HOLDS TOP OF CHANGER VAULT CDC	161541
2	CHANGER VAULT BRACE	HOLDS BOTTOM OF CHANGER VAULT	161518
3	BUTTON LEVER ASSY	COIN INSERT/COIN RETURN CDC	161594
4	COIN RETURN LEVER ASSY	ABOVE ESCROW LEVER ON CHANGER CDC	161593
5	SECURITY PLATE W/A	VRD CDC	195510
	SECURITY PLATE W/A	CD / FD / NV PC / VRD / MERLIN IV	216530
	SECURITY PLATE	PC, CDC	195503
6	3/64" DIA. GALV. CABLE	CDC	911032
7	CHANGER PLUG BRACKET	MERLIN	010561
	BOARD COVER	1 PER PEPSI CDC ELE. V.-AFTER RUN 1548	195518
8	CHANGER VAULT W/A		161523
9	COIN CHUTE ASSEMBLY	CDC WIDE VENDER 79"	161590
10	COIN CHUTE BRACKET	79"	161527
	COIN CHUTE BRACKET	72"	162502
11	PANEL STRAP		010531
12	SELECT PANEL PLATE		161512
13	PORT BODY W/A	WIDE PORT	303510
14	TRANSFORMER ASSY	MERLIN 2000 AND MERLIN III	010572
	TRANSFORMER ASSY	MERLIN IV	842147
15	HOPPER MOUNTING BRACKET		161515
16	CABLE SLEEVES		906015
17	COIN CUP	CDC	231505
	PC BOARD COVER	CDC	195518
	COIN DEFLECTOR		161526
	CHANGER VAULT DOOR		161534

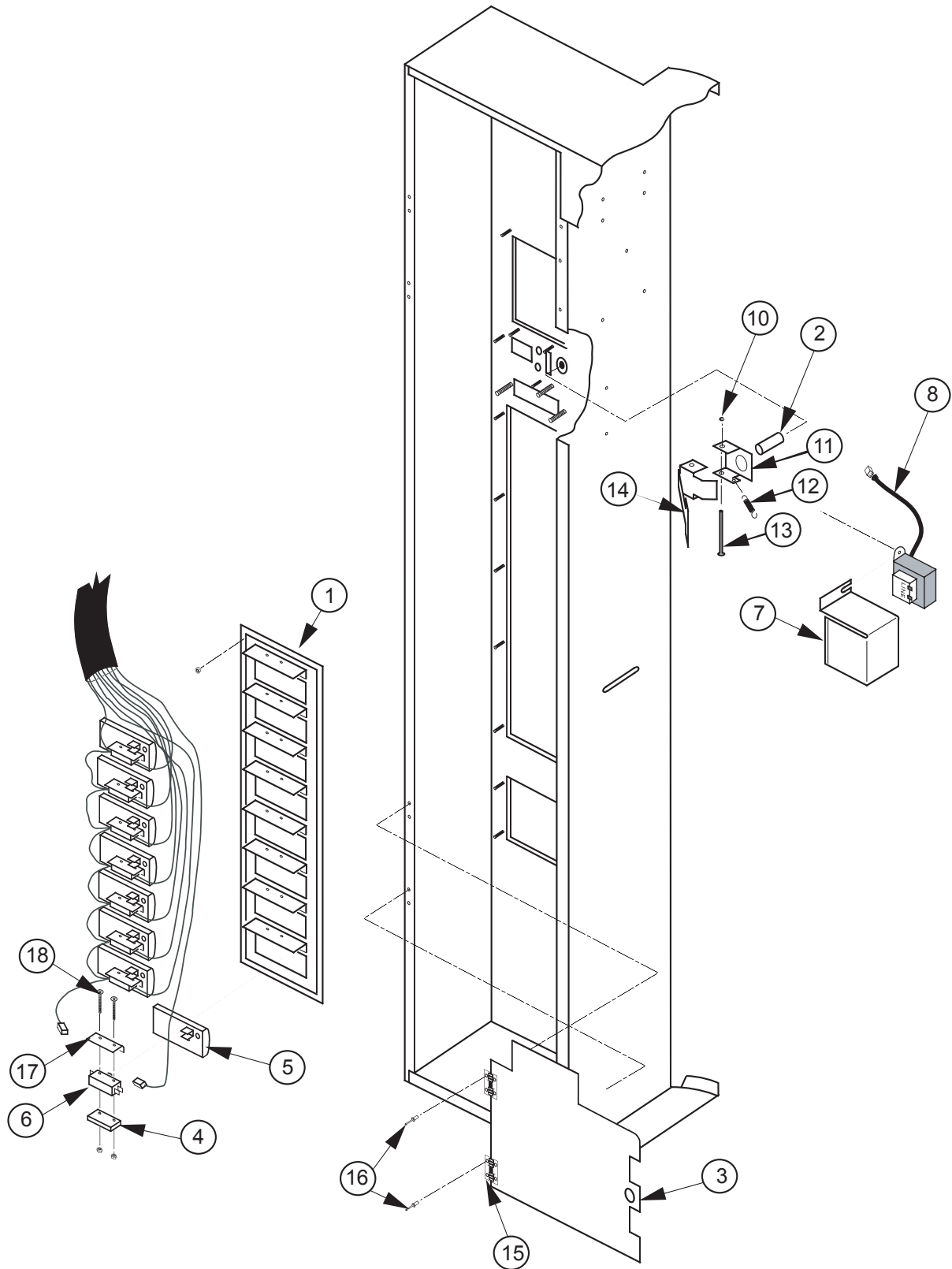
# PORT



# PORT

Item #	Part Name	Part Description	Part #
1	PORT BODY W/A	PC MERLIN 4	261510
	WELDED PORT ASSY.	PC/CD WIDE ROUND	012560
	PORT BODY W/A	PC/CD / WIDE PORT / NV / MIV	263550
	PORT BODY W/A	PC/CD / WIDE PORT / CDC	273560
	PORT BODY W/A	FLAT DISPLAY /CD / MIV / VRD	278520
2	ANTI-THEFT PLATE	NV / MIV / WIDE PORT / PC/CD	263505
	ANTI-THEFT PLATE	ALL VENDOR EXCEPT 16 OZ & C.D.C.	210505
	ANTI-THEFT PLATE	BOTTLES	141102
	ANTI-THEFT PLATE	CDC/BOTTLES CDC	161545
	ANTI-THEFT PLATE	RUN 1349 AND BEFORE CDC	161504
	ANTI-THEFT PLATE	FD / CD / VRD	278509
	ANTI-THEFT PLATE	PC/CD / WIDE PORT / CDC	273507
3	CAN STOP	PC/CD / WIDE PORT	273508
	CAN STOP	ALL VENDORS / METAL	010508
4	PORT SPACER	WIDE / PC	815248
	PORT SPACER	PC	815047
5	PORT TRIM	ALL VENDORS / PLASTIC	815019
	PORT TRIM	ALL WIDE PORT	815249

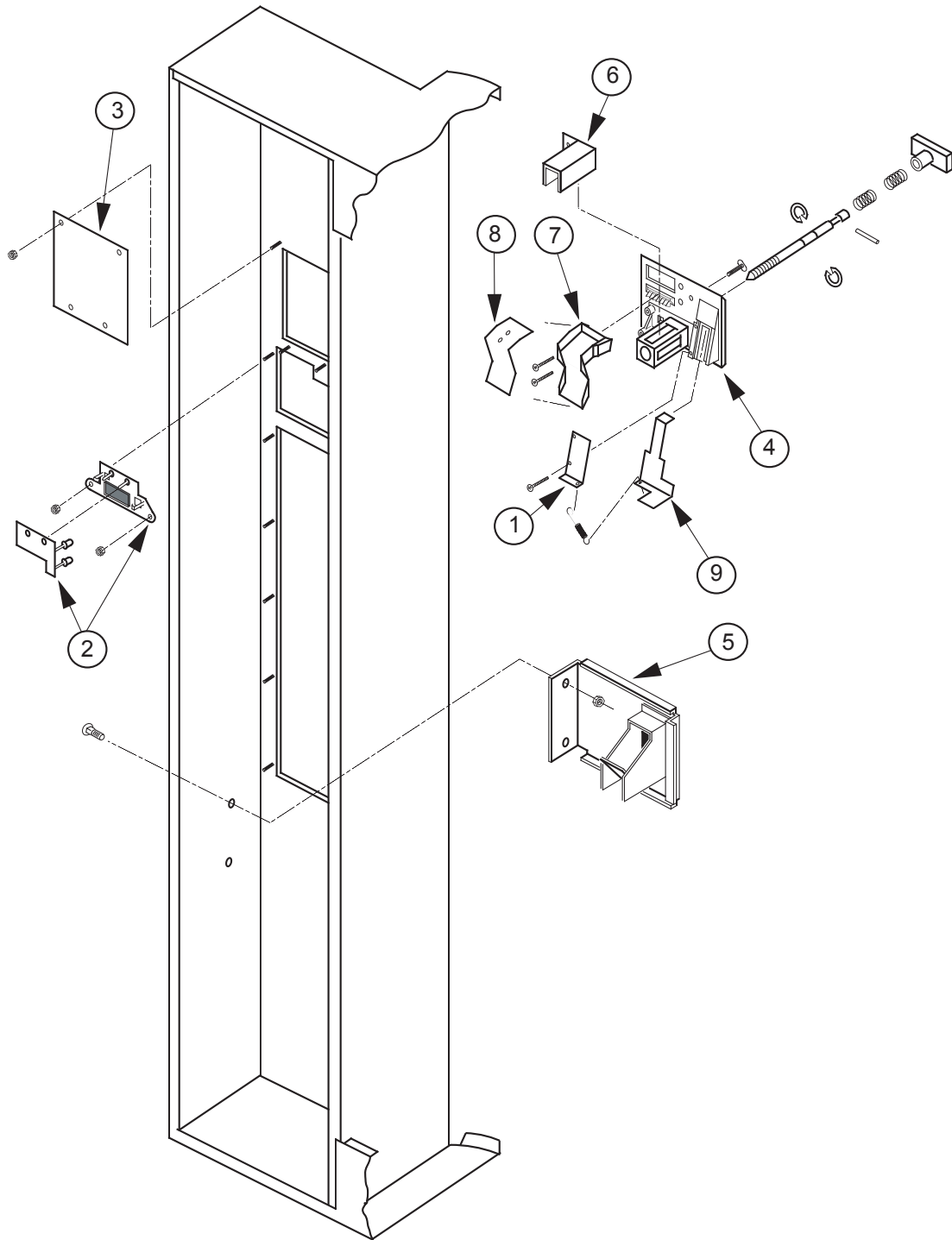
# VANDAL RESISTANT DOOR, REAR



# VANDAL RESISTANT DOOR, REAR

Item #	Part Name	Part Description	Part #
1	10 SELECT BUTTON PANEL W/A	PC, CD (METAL ONLY)	017530
	10 SELECT BUTTON PANEL ASSY	PC/ CD MERLIN LG SWITCH W/HARNESS	017920
	10 SELECT BUTTON PANEL ASSY	PC/CD ELECT W/O HARNESS	017922
	10 SELECT BUTTON PANEL ASSY	PC/CD MERLIN W/O HARNESS	017910
	8 SELECT BUTTON PANEL ASSY	PC/CD REG W/O HARNESS	012540
	8 SELECT BUTTON PANEL ASSY	PC/CD REG LARGE SWITCH W/O HARNESS	12598
	8 SELECT BUTTON PANEL ASSY	PC/CD MERLIN W/O HARNESS	012569
	8 SELECT BUTTON PANEL ASSY	PC/CD MERLIN LARGE SWITCH W/O HARNESS	012990
	7 SELECT BUTTON PANEL ASSY	PC/CD WV REG W/O HARNESS	034530
	6 SELECT BUTTON PANEL ASSY	PC/CD WV MERLIN LGE SWITCH W/O HARNESS	105910
	6 SELECT BUTTON PANEL ASSY	PC/CD NV MERLIN LGE SWITCH W/O HARNESS	040960
	6 SELECT BUTTON PANEL ASSY	PC/CD NV REG W/O HARNESS	040540
	5 SELECT BUTTON PANEL ASSY	PC/CD REG W/O HARNESS	043540
	9 SELECT BUTTON PANEL W/A	PC/CD (METAL ONLY)	212510
	9 SELECT BUTTON PANEL W/A	PC/CD W/N FUNNEL MECH (METAL ONLY)	212501
	8 SELECT BUTTON PANEL W/A	PC, CD (METAL ONLY)	012510
	7 SELECT BUTTON PANEL W/A	PC/CD (METAL ONLY)	034520
	6 SELECT BUTTON PANEL W/A	PC/CD NARROW (METAL ONLY)	040530
	6 SELECT BUTTON PANEL W/A	PC/CD WIDE (METAL ONLY)	105510
	5 SELECT BUTTON PANEL W/A	PC/CD NARROW (METAL ONLY)	043530
	5 SELECT BUTTON PANEL W/A	PC/CD WIDE (METAL ONLY)	119510
2	COIN RETURN BUTTON	ALL	803031
	COIN RETURN BUSHING	ALL / COIN RETURN BUTTON VRD	803030
3	COIN BOX GUARD	FOR VENDORS W/O VALIDATOR	011147
4	SWITCH SPACER	FOR PC/CD BUTTONS	815018
5	SELECT BUTTON	PC/CD LARGE SWITCH	815025
6	SELECT BUTTON SWITCH	PC/CD LARGE BUTTON	835012
	SPLASH GUARD	PC/CD	815303
7	24V TRANSFORMER COVER	ALL VENDORS	010063
8	TRANSFORMER ASSY 75VA	MERLIN BASLER BE122775GEB	010572
	TRANSFORMER	FRENCH CHANGER	012922
	TRANSFORMER ASSY	220 VOLT I.E.C.	842220
	TRANSFORMER ASSY	221 VOLT I.E.C.	842221
9	T-HANDLE BRACE	ALL VANDAL RESISTANT PC	141513
10	RETAINING RING		906005
11	BUTTON LEVER HINGE		161508
12	COIN RETURN SPRING		914023
13	ROLLER PIN	5/32"	811002
14	COIN RETURN SPRING		914023
15	SPRING HINGE	SECURITY DOOR	912156
16	POP RIV OT	1/8"	908004
17	SWITCH SPACER		815018
18	SCREW		901041

# SELECT PANEL ASSEMBLY, FRONT

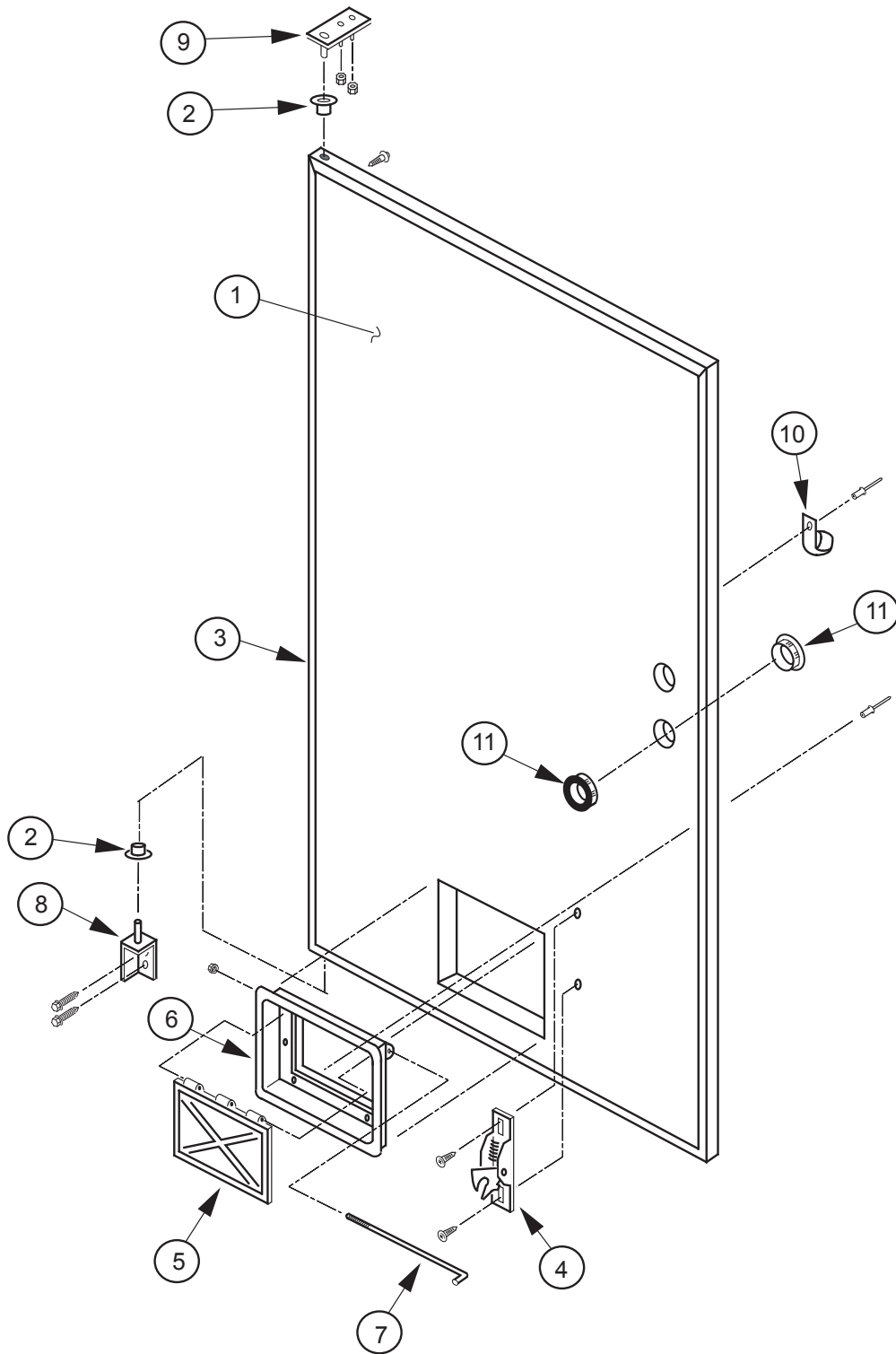


## SELECT PANEL ASSEMBLY, FRONT

Item #	Part Name	Part Description	Part #
1	SPRING PLATE		010511
2	L.E.D. ASSY NEW	1.10 AND UP / L.E.D. AND WINDOW	010593
	L.E.D. DISPLAY HARNESS	ALL VENDORS	836081
	L.E.D. CONVERSION KIT	OLD L.E.D. TO NEW L.E.D. 5.0 BOARD	012124
	L.E.D.	PARALYNE COATING	836012
	L.E.D. COVER		010562
	L.E.D. WINDOW	1.09 & UNDER	010563
	L.E.D. LENS	SMALL LITE LENS/COR CHANGE-SOLDOUT	916032
3	VALIDATOR COVER	PC/CD	012508
4	COIN INSERT	PC / CD METAL ONLY	809006
	COIN INSERT ASSEMBLY	PC MERLIN C.D.C.	195560
	COIN INSERT ASSEMBLY	PC / CD - REG. & OLD MERLIN	012550
	COIN INSERT ASSEMBLY	PC/ CD - NEW MERLIN	012910
5	COIN CUP W/A MOUNTING PLATE	PC / CD (AFTER RUN 1218)	012595
6	LOCK CYLINDER COVER	ALL	012555
7	COIN CHUTE	BOTTOM	815001
8	COIN CHUTE	TOP	815002
9	SCAVENGER LINK	COIN RETURN LEVER	810001



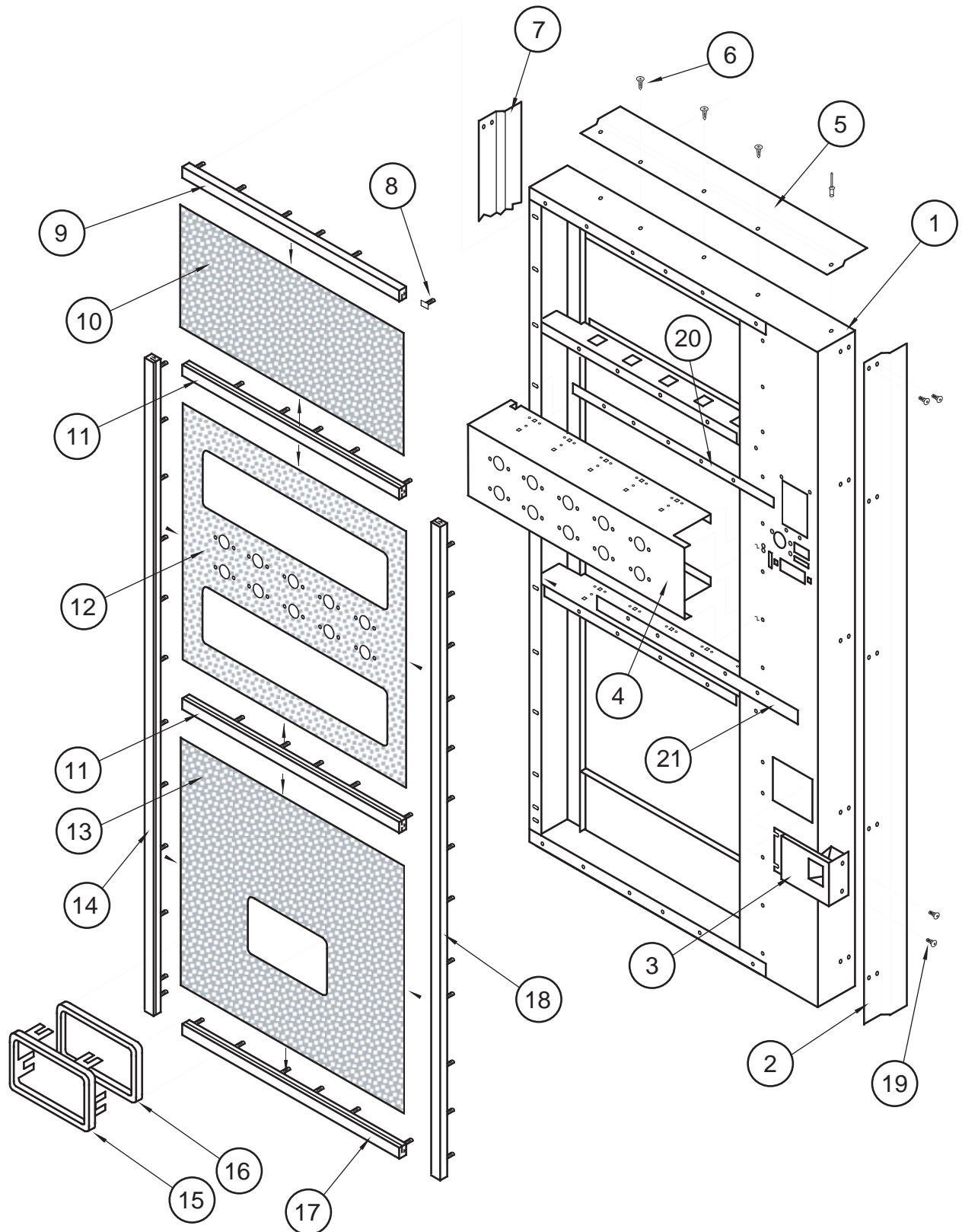
# INNER DOOR



# INNER DOOR

Item #	Part Name	Part Description	Part #
1	INNER DOOR ASSEMBLY	79" WIDE	210609
	INNER DOOR ASSEMBLY	79" NARROW	258630
	INNER DOOR ASSEMBLY	72" WIDE	262640
	INNER DOOR ASSEMBLY	72" NARROW	264630
	INNER DOOR ASSEMBLY	72" (RUN 1405 & BEFORE)	011620
	INNER DOOR ASSEMBLY	79 1/2" (RUN 1405 & BEFORE)	010650
	INNER DOOR ASSEMBLY	72" CD I.E.C. MERLIN IV	262670
	2	INNER DOOR BUSHING	
3	INNER DOOR GASKET	79" WIDE	815033
	INNER DOOR GASKET	72" NARROW	815044
	INNER DOOR GASKET	72" WIDE	815032
	INNER DOOR GASKET	57 1/2"	815046
	INNER DOOR LOCK	INNER DOOR WITH NEW GASKET (OFFSET CAM)	912187
	INNER DOOR LOCK	INNER DOOR LOCK	812005
4	BURST OPEN LATCH	FOR INNER DOOR	812002
5	PORT DOOR	FOR INNER DOOR, WIDE PORT	815192
	PORT DOOR	FOR INNER DOOR, NARROW PORT	815014
6	PORT FRAME	FOR INNER DOOR, WIDE PORT	815191
	PORT FRAME	FOR INNER DOOR, NARROW PORT	815013
7	PORT DOOR ROD	FOR INNER DOOR, WIDE PORT	811028
	PORT DOOR ROD	FOR INNER DOOR, NARROW PORT	811004
8	INNER DOOR HINGE ASSY	BOTTOM	010550
9	INNER DOOR HINGE ASSY	TOP	010520
10	CABLE CLAMP 1"	NYLON 1/2 WIDE	916004
11	BUSHING 1 3/8	HEYCO SB 1375-16	916003

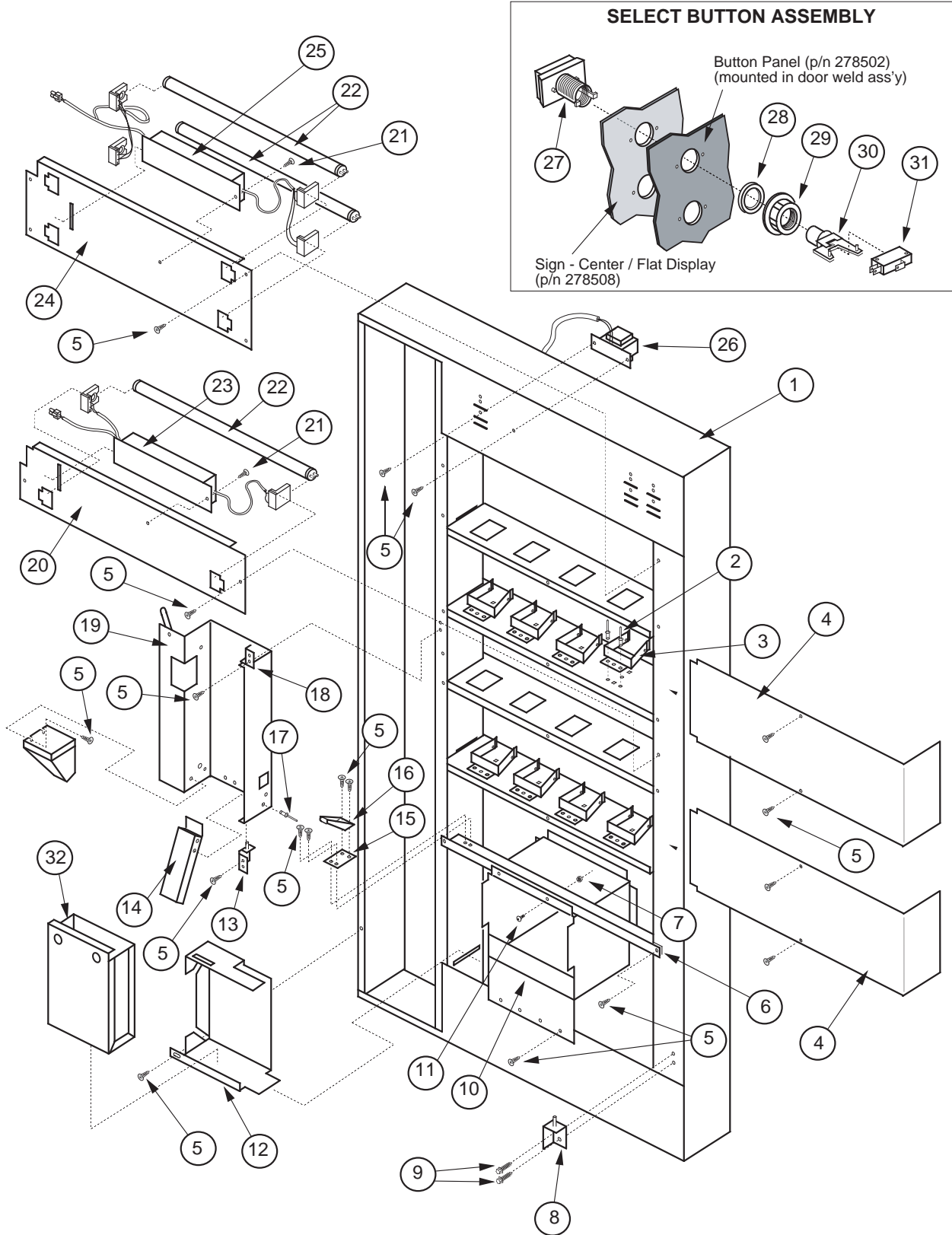
# FLAT HORIZONTAL DISPLAY, DOOR FRONT



# FLAT HORIZONTAL DISPLAY, DOOR FRONT

Item #	Part Name	Part Description	Part #
1	Door Welded Assembly - Flat Display	72"	278510
2	Right Vandal Panel	72"	011501
3	Coin Return Cup Welded Assembly		012595
4	Button Panel - Flat Display	10 Select	278502
5	Rain Guard - Wide Venders		010518
6	Screw	#8 x 1/2"	902004
7	Left Vandal Panel	79"	141002
	Left Vandal Panel	72"	142001
8	T-Screw	#8-32	901001
9	Trim, Top Side		032807
10,12,13	Sign, Top / Flat Display	Cold Drink Graphics	278986
11	Trim, Center		278511
14	Trim, Left Side		019507
15	Port Trim	Wide Port	815249
16	Port Spacer	Wide Port	815248
17	Trim, Bottom Side		032806
18	Trim, Right Side		019508
19	Carriage Bolt	1/4-20 x 1/2"	901007
20	Price Label Strip - Top		278512
21	Price Label Strip - Bottom		278515

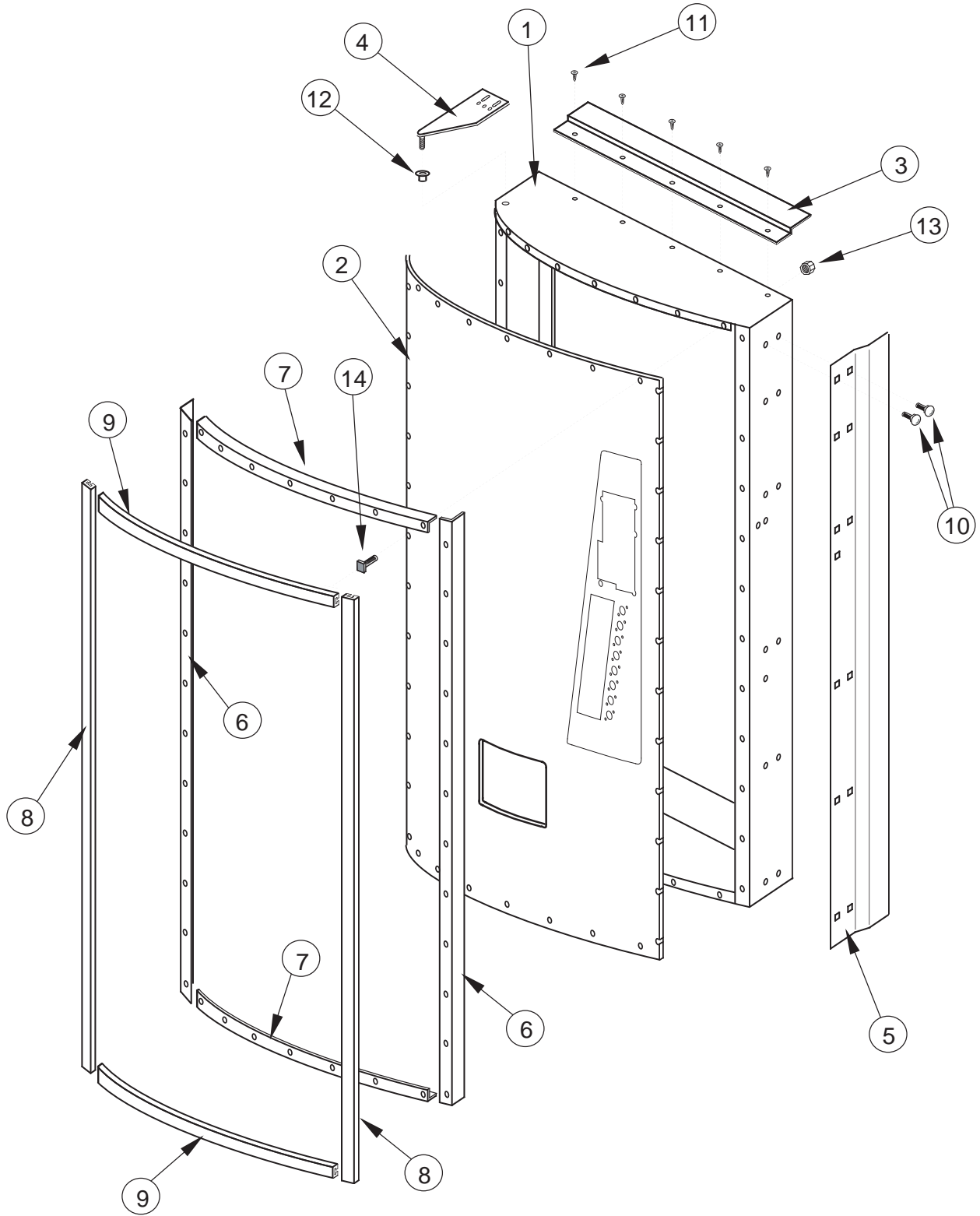
# FLAT HORIZONTAL DISPLAY, DOOR REAR



## FLAT HORIZONTAL DISPLAY, DOOR REAR

Item #	Part Name	Part Description	Part #
1	Door Welded Assembly	Flat Display - 72"	278510
2	Pop Rivet	1/8" diameter	908004
3	Display Product Holder		023107
4	Display Back	Flat Display	278505
5	Screw	#8 x 1/2"	902004
6	Port Brace	Wide Vender	010515
7	Nut	1-4-2020	905002
8	Inner Door Hinge	Bottom	010550
9	Self Tapping Screw	1/4-20 x 1"	901003
10	Port Body Welded Assembly	Flat Display	278520
11	Carriage Bolt	1/4-20 x 1/2"	901007
12	Coin Box Housing		010537
13	Bottom Changer Door Hinge W/A		010560
14	Bottom Coin Chute Assembly	(to Coin Box)	012593
15	Latch Roller Bracket		010516
16	Burst Open Latch Strike		812003
17	Pop Rivet 1/8" dia. Stainless Steel		908001
18	Top Changer Door Hinge W/A		010570
19	Changer Door		010544
20	Lamp Panel - Bottom	(Single Bulb)	278507
21	Screw	#8-32 x 1/2" w Flat Washer	901006
22	Lamp 20 w att 24" long		841012
23	Ballast - Single Bulb		838005
	Ballast Assembly - Flat Display	(Single Bulb)	122518
24	Lamp Panel - Top (Double Bulb)		278506
25	Ballast - Double Bulb		838024
	Ballast Assembly - Flat Display	(Double Bulb)	122528
26	Transformer Assembly		010572
27	Select Button		not available
28	Washer, Select Button		not available
29	Nut, Select Button		not available
30	Sw itch Holder		not available
*	Complete Button Assembly	Items 27, 28, 29, 30	816016
31	Sw itch, Miniature		835001
32	Coin Box W/A		010580

# DOOR ASSEMBLY FRONT, DR PEPPER VISION 4



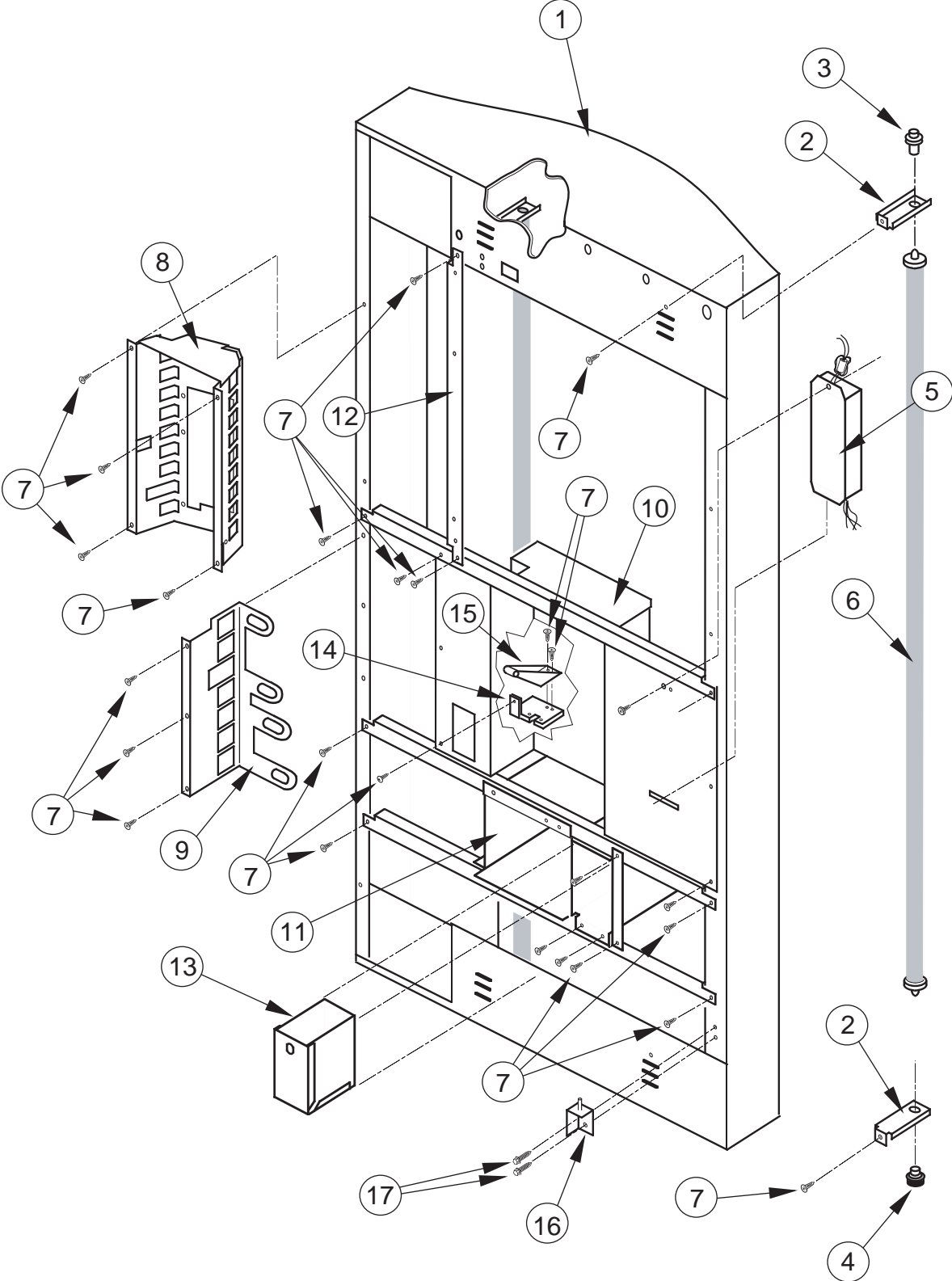
# DOOR ASSEMBLY FRONT, DR PEPPER VISION 4

Item #	Part Name	Part Description	Part #
1	Main Door Welded Assembly	Vision 4 / CDC 79"	242510
	Main Door Welded Assembly	Vision 4 / CD. 72"	243510
2	Sign, Dr Pepper Vision 4	Must Give # of Selections	SEE NOTE #1
3	Rain Guard	Wide Venders	010518
4	Top Main Door Hinge		810002
5	Vandal Panel, Right	79" (Door)	010519
	Vandal Panel, Right	72" (Door)	011501
6	Metal Trim, Right & Left	79"	171507
7	Metal Trim, Top and Bottom		171502
8	Trim, Right and Left	79"	242526
9	Trim, Top and Bottom		242525
10	Carriage Bolt	1/4-20x1/2"	901007
11	Self Drilling Screw	#8x1/2"	902004
12	Top Door Bushing		803003
13	Nut	1-4-2020	905002
14	T-Bolt	1/4-20x1"	901037

**Note # 1: Please call Customer Service for the current part number.**



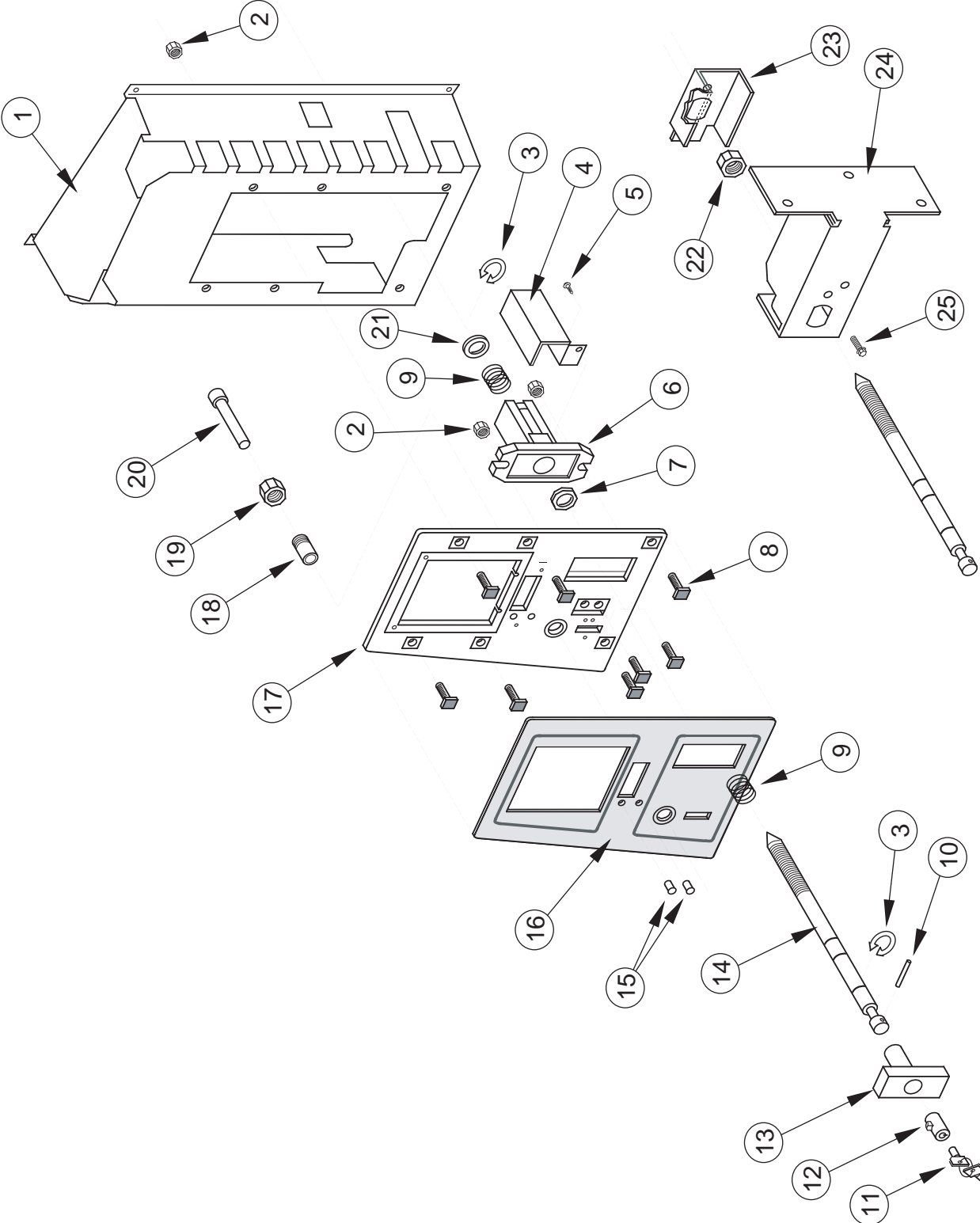
# DOOR ASSEMBLY REAR, DR PEPPER VISION 4



## DOOR ASSEMBLY REAR, DR PEPPER VISION 4

Item #	Part Name	Part Description	Part #
1	Main Door Welded Assembly	Vision 4 / CDC 79"	242510
	Main Door Welded Assembly	Vision 4 / CDC 72"	243510
2	Lamp Bracket		010517
3	Top Lampholder	Springloaded	842003
4	Bottom Lampholder		842004
5	Ballast Assembly		010950
6	Lamp, H.O.	79" Vender	841001
	Lamp, H.O.	72" Vender	841002
7	Screw #8-32x3/8"		901011
8	Validator Vault Welded Assembly		242530
9	Button Bracket Welded Assembly	DP Vision 4	242550
10	Changer Vault Welded Assembly		161523
11	Port Body Welded Assembly	CDC	231510
12	Validator Vault Brace	79"	242511
	Validator Vault Brace	72"	243501
13	Coin Box Welded Assembly	Vision 4 CDC	231550
14	Latch Roller Bracket		242512
15	Burst Open Latch Strike		812003
16	Bottom Inner Door Hinge		010550
17	Self Tapping Screw	1/4-20x1"	901003

# COIN INSERT ASSY. FRONT, DR PEPPER VISION 4



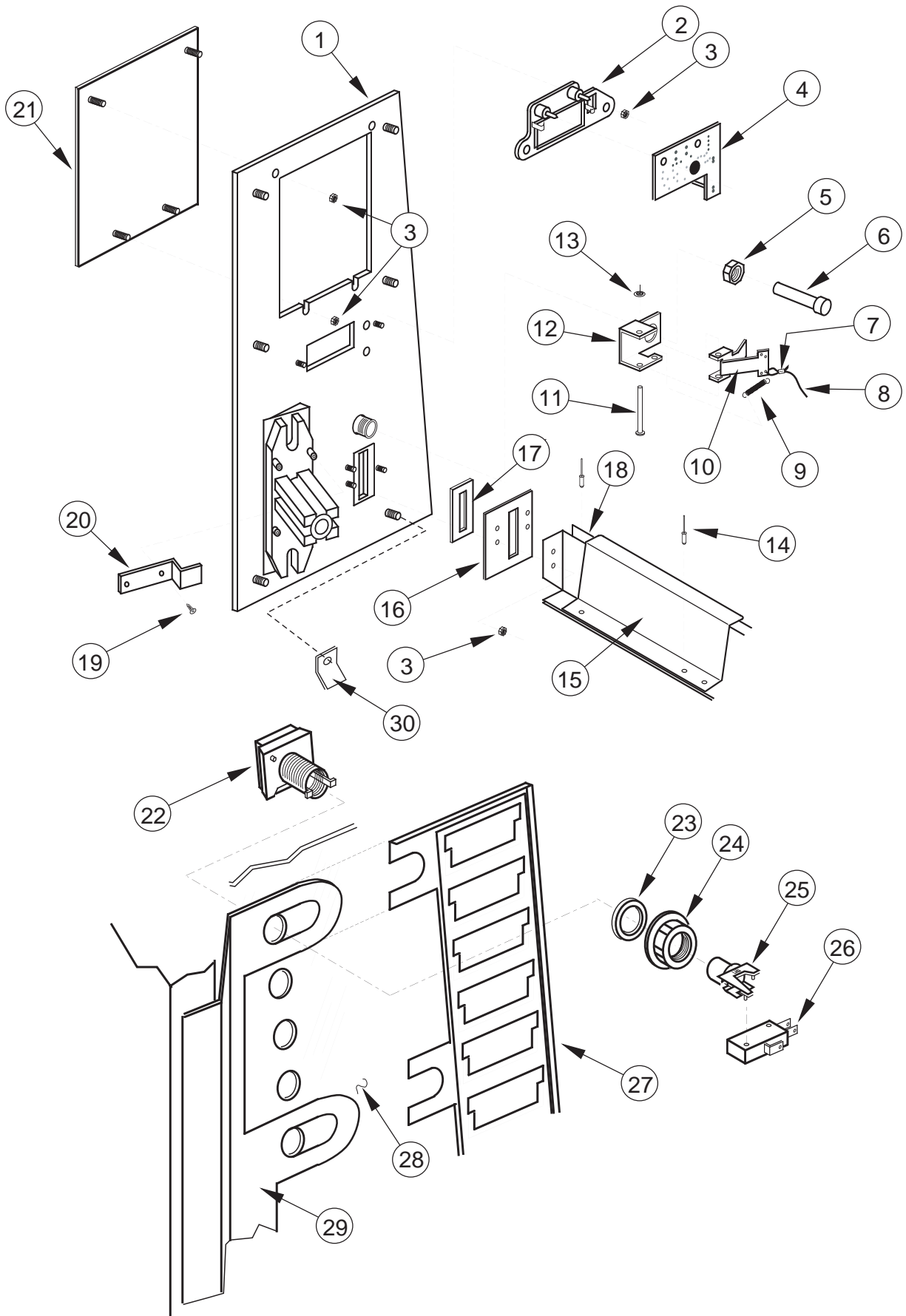
# COIN INSERT ASSY. FRONT, DR PEPPER VISION 4

Item #	Part Name	Part Description	Part #
1	Validator Vault Welded Assembly		242530
2	Nut	1-4-2020	905002
3	Retaining Ring	"C" Clip	912157
4	Lock Cylinder Cover		161532
5	Self Tapping Screw	#8-32x3/8"	901011
6	T-Handle Housing		812190
7	Brass Hex Washer		SEE NOTE #2
8	T-Bolt	1/4-20x1"	901037
9	Spring, T-Handle		SEE NOTE #2
10	Pin, T-Handle		912133
11	2 Keys		SEE NOTE #1
12	Lock		SEE NOTE #1
13	T-Handle Body		812134
14	T-Handle Stud		SEE NOTE #2
15	LED Lens		916032
16	Security Plate Decal	Dr Pepper Vision 4	845765
17	Security Plate Welded Assembly		242520
18	Bushing, Button Coin Return		803030
19	Hex Jam Nut	9/16-18 UNF2A	905019
20	Button, Coin Return Lever		803031
21	Washer		SEE NOTE #2
22	Square Nut	3/4x1/2-13	905005
23	Nut Retainer		010028
24	Latch Strike		242030
25	Self Tapping Screw	1/4-20x1"	901003
•	Latch Strike Assembly		242031

**Note #1: There are various parts. Please specify model and serial number at the time of order.**

**Note #2: This part is not available individually. It must be ordered as an assembly.**

# C.I. REAR & BTN. PANEL ASSY., DR PEPPER VISION 4



## C.I. REAR & BTN. PANEL ASSY., DR PEPPER VISION 4

Item #	Part Name	Part Description	Part #
1	Security Plate Welded Assembly		242520
2	LED Window		010563
3	Nut	#8-32	905001
4	LED Display		836012
5	Hex Jam Nut	9/16-18 UNF2A	905019
6	Button, Coin Return Lever		803031
7	Cable Sleeve		906015
8	3/64" Diameter Cable		911020
9	Coin Return Spring		914023
10	Button Lever		161509
11	Coin Return Pin		811024
12	Hinge		161508
13	5/32 Retainer Ring		906005
14	Pop Rivet	1/8 Aluminum	908004
15	Coin Chute Cover - DP		242517
16	Coin Slot Retainer		242513
17	Coin Plate		141516
18	Coin Chute Assembly	Includes #15 & #14	242570
19	Self Tapping Screw	#8-32x3/8"	901011
20	Lever Stop - DP		242521
21	Validator Cover Assembly - DP		100504
22	Button Assembly - DP		810052
23	Washer, Select Button	DP (Part of Button Assembly)	915230
24	Nut, Select Button	DP (Part of Button Assembly)	915229
25	Switch Holder	DP (Part of Button Assembly)	915225
26	Switch, Miniature		835001
27	Flavor Card Strip Assembly	DP Vision 4	815228
28	Sign, Dr Pepper Vision 4	Must give # of selections	See Note #1
29	Button Bracket Welded Assembly		242550
30	Flavor Card Strap, DP		242536
•	Select Button Assembly, Complete	Includes #22-#25	242580
•	Button Lever Assembly	Includes #9-#13	161594

**Note #1: There are various parts. Please specify model and serial number at the time of order.**

# MISCELLANEOUS

Part Name	Part Description	Part #
-----------	------------------	--------

## ELECTRICAL CONNECTORS

FLEXIBLE TUBING	1" DIA X .028 WALL	825001
FLEXIBLE TUBING	3/8" DIA X .028 WALL	825002
FLEXIBLE TUBING	1/4" DIA X .028 WALL	825023
FLEXIBLE TUBING	1 1/4 " DIA	825040
.187 RECEPT.	1 WIRE / TERMINAL END	940001
.187 RECEPT.	2 WIRE / TERMINAL END	940002
HOUSING 3 WAY	FOR MINI SWITCH	940003
RELAY TERMINAL	REG. .187 FOR RELAY SOCKET	940005
HOUSING .187	SINGLE INSULATION	940006
MATE-N-LOK PIN	MALE TERMINAL	940007
MATE-N-LOK SOCKET	FEMALE TERMINAL	940008
15 WAY CAP	FEMALE /MATE-N-LOK	940011
15 WAY PLUG	MALE / MATE-N-LOK	940012
.187 ULTRA FAST	1 WIRE / FOR PC S.O. LIGHTS / PINK BOOTY	940016
9 WAY CAP	FEMALE / MATE-N-LOK	940019
9 WAY PLUG	MALE / MATE-N-LOK	940020
2 WAY CAP	FEMALE / MATE-N-LOK	940021
2 WAY PLUG	MALE / MATE-N-LOK	940022
.187 ULTRA FAST	2-WIRE / FOR PC S.O. LIGHTS / BLUE BOOTY	940023
CIRCUIT BOARD RECEPT.	MERLIN TRANSFORM / 640251-2 / 2 WAY	940026
CIRCUIT BOARD RECEPT.	OPTIONS / 640251-6 / 6-WAY	940028
CIRCUIT BOARD RECEPT.	SELECT PANEL / 1-640251-2 / 12-WAY	940030
CIRCUIT BOARD RECEPT.	COIN MECH / 1-640251-3 / 13-WAY (OLD)	940031
CIRCUIT BOARD RECEPT.	MOTORS / 1-640251-5 / 15-WAY	940032
CIRCUIT BOARD RECEPT.	COUNTER-ALARM / 640251-3 / 3-WAY	940036
CIRCUIT BOARD TERMINAL	MERLIN / 640252-1	940034
.250 FASTON RECEPTACLE	1 WIRE	940075
.250 FASTON RECEPTACLE	2 WIRE	940054
.250 TERMINAL	2-WIRE BOOT	940038
.250 ULTRA FAST	1-WIRE BOOT	940039
.250 HOUSING		940049

## LABELS & DECALS

SPACE TO SALES DECAL	MERLIN IV 12 COLUMNS	931301
SPACE TO SALES DECAL	MERLI IV 10 COLUMNS	931302
COLUMNS ASSIGNMENT DECAL	MERLIN VI	931300
BILL VALIDATOR LABEL	FRENCH CANADIAN	931144
MERLIN II VERSION 5 LABEL	FRENCH CANADIAN	931313
LOADING LABEL	MERLIN IV / PC / DP / CD	931283
SELECTION DECAL	MERLIN-SOLD OUT-CORRECT CHANGE	931055
SELECTION BUTTON DECAL	BLACK DECAL AROUND SELECT BUTTON	845383
SELECTION DECAL & COLUMN	CHART 1 PER VENDOR W/ 12 COLUMNS	931333
COIN MECH LABEL	MERLIN	931088
MADE IN THE USA LABEL	FOR BACK OF CABINET	931027
PC INST. LABEL	FOR PC & CD	831026
FUSE BOX LABEL	3 AMP	931113
SECURITY PLATE DECAL	PC/CD MERLIN	845641

# MISCELLANEOUS

SECURITY PLATE DECAL	PC/CD MERLIN CDC	845530
SECURITY PLATE DECAL	PC/CD REGULAR CDC	845531
SECURITY PLATE DECAL	FRENCH CANADIAN	845880
PRICE DECAL SHEET	MERLIN .25 / .30 / .35 ELECTRONIC	831070
PRICE DECAL SHEET	.25 - 1.25 BLACK BACK W/WHITE LETTERS	831391
PRICE DECAL SHEET	.40 - 1.50 YELLOW/ELECTRONIC	831056
PRICE DECAL SHEET	CANADIAN 75¢-\$1.75	931266
PRICE DECAL SHEET	CANADIAN \$1.80 -\$2.50	931267
PRICE DECAL SHEET	.25 - .75	931248
PRICE DECAL SHEET	.75 - 1.25	931249
PACKAGING DECAL SHEET		931250
PACKAGING DECAL SHEET	CANADIAN	931263

## MANUALS

MANUAL	ELECTRO-MECH	010127
MANUAL	MERLIN 2000	833003
MANUAL	3 BUTTON MERLIN III	833007
MANUAL	4 BUTTON MERLIN III	833006
MANUAL	MERLIN 4	833018
MERLIN IV	MINI MANUAL, 3 BUTTON	833020
M4 3 BUTTON SERVICE & PARTS	COINCO BOARD - SERVICE ONLY	833021

## SCREWS, BOLTS, WASHERS, ETC.

SCOTCH LOCK CONNECTOR	WIRE CONNECTOR	942128
#6-32 X 1/4 PHILIP	BRASS SCREW	901013
BUSHING 1/2	HEYCO B-500-375	916002
BUSHING 7/8	HEYCO SB-875-10	916071
CABLE CLAMP	5/16 R	916014
CARRIAGE BOLT	1/4-20 X 1/2 LG EMPIG.	901007
CARRIAGE BOLT	1/4-20 X 1" LG EMPIG.	901008
CARRIAGE BOLT	1/4"-20 X 3/4" LG. (FOR LOCK COVER)	901045
COMPRESSOR CLIP	FOR COMP MTG	914002
#10 FLAT WASHER	STAR WASHER	904007
FLAT WASHER	3/8 ID X 3/4 - 7/8 OD GVN STEEL	904002
FLAT WASHER	3/4 OD X 5/16 ID X 1/16 THK	904006
FLAT WASHER NYLON	7/16 ID X .875 OD X .045 THK	904001
GROOVE PIN	5/32 DIA X 1 1/16	906003
GROOVE PIN	5/32 DIA X 3/4 LONG	906004
KEPS NUT	#8-32 W/EX TOOTH WS	905001
KEPS NUT	1/4-20 W/EX TOOTH WS	905002
KEPS NUT	3/8"-16	905007
NYLINER 1/2	THOMSON 8L2-FF TYPE7	916010
NYLINER 1/2	THOMSON 616-F TYPE5	916012
NYLINER 3/8	THOMSON 6L2-FF TYPE7	916011
PIN FOR T-HANDLE	TO CONNECT STUD TO HANDLE	912133
POP RIVET	1/8 DIA X .250 GRIP SS	908001
POP RIVET	3/16 DIA X .190 GRIP SS	908002
POP RIVET	1/4 DIA X .19 GRIP ALUM	908003
POP RIVET	1/8 DIA X .19 GRIP ALUM	908004
RETAINING RING	FOR 5/32 DIA ROD	906005



# MISCELLANEOUS

S/M SCREW	#4 X 3/4 LG TYPE B	902002
S/M SCREW	#4 X 1 1/8 LG TYPE B	902003
S/M SCREW	#4 X 5/8" TYPE B PAN HEAD PHILLIPS	902009
SELF DRILLING SCREW	#8 X 1/2 W/1/2 OD WAS	902001
SELF DRILLING SCREW	#8 X 1/2 LG	902004
SELF TAPPING SCREW	#10-31 X 1" PAN HEAD PHILLIPS	901027
SEMS CAP SCREW	1/4-20 X 1" LG	901003
SEMS SCREW	#8-32 X 1/2 LG	901002
SEMS SCREW	# 6-32 X 3/8 LG	901004
SEMS SCREW	#8-32 X 1/2 LG W/FL W	901006
SEMS SCREW	#8-32 X 3/8	901011
SEMS SCREW	#8-32 X 1/2 HEX HD SLOTTED	901012
SCREW	THREAD CUTTING , FLAT HD PHILLIPS TYPE F	901046
SPRING RESTRICTOR	FOR REFRIG SYSTEM	914005
T SCREW	#8-32 X 3/4 LG	901001
THREDSTUD	#8-32 X 1/2 LONG	906001
THREDSTUD	#8-32 X 7/8 LONG	906002
U CLAMP	FOR TOP FAN HOUSING	906007
WELD NUT	#5/8-11	907002
WELD NUT	#1/4-20	907003
WELD NUT	SPADE TYPE .218 DIA.	907004
WELD NUT	ROUND HD. .218 DIA	907005
WELD NUT	ROUND HD 1/4 DIA 1" LG	907006
WIRE TIE	5" LONG	916063
WIRE TIE SMALL	PANDUIT SST1.5M	916007
XMAS TREE CLIP	SIGNS	916009

## SHIMS

10 OZ. CAN KIT/COLUMN	3-DEEP / NARROW / MERLIN	058121
10 OZ. CAN KIT	WIDE/3-DEEP	058170
12 OZ. FORMED CAN SHIM	NARROW COL /16 OZ. 3 DEEP	201101
FORMED CAN SHIM	NARROW COLUMN 3 DEEP (.375 THK.)	058129
FORMED SHIM-NARROW	2-D	011179
FORMED SHIM-RIGHT	.31 THICK	011196
FORMED SHIM-LEFT	.31 THICK	011197
10 OZ. FLAT SHIM	WIDE/3-DEEP	058105
3 DEEP FLAT SHIM	20GA.	119708
3 DEEP FLAT SHIM	12GA.	108711
3 DEEP FLAT SHIM	16 GA.	108715
3 + DEEP FLAT SHIM	WIDE	201135
3 DEEP FLAT SHIM	FOR BOTTLE VENDORS / 20 OZ WIDE COL ON	108709
FLAT SHIM RIGHT SIDE	20 GA (NO NOTCH)	011177
FLAT SHIM WIDE / COLUMN	20 GA.	010128
W/A SHIM RIGHT	3 DEEP / .28 THICK	058180
W/A SHIM LEFT	3 DEEP / .28 THICK	058190
W/A LEFT SHIM	1 PER WIDE COL GATORADE/POWERADE 540	108730
W/A RIGHT SHIM	1 PER WIDE COL GATORADE/POWERADE 540	108740
CONVERSION KIT	12OZ CAN (510/609) W/N COL. W/S/O PAD.	201120
CONVERSION KIT	12 OZ CAN / 3 DEEP+	201191
CONVERSION KIT	12 OZ CAN 3DP 540/630 EV W-0/S-O PADDLE	201192
CONVERSION KIT	12 OZ CAN 3DP 540/630 EV W/S-O PADDLES	201193

# MISCELLANEOUS

CONVERSION KIT	12 OZ CAN 3 DP 5120/609 EV W-O/S-O PADD	201197
CONVERSION KIT	12 OZ CAN 3DP+ 540/630 EV W-O/S-O PADDL	201194
CONVERSION KIT	12 OZ CAN 3DP+ 510/609 EV W/S-O PADDLES	201196
10 OZ BOTTLE SHIM	2 DEEP NARROW COLUMN	010107
12 OZ CAN SHIM	NARROW SHIM 16 OZ 3 DEEP	201102
10 OZ. NAR. CAN SHIM/COL	2-DEEP/MERLIN	010143
10 OZ. CAN SHIM/COL	WIDE	010118
6 OZ. CAN SHIM/COLUMN	2-DEEP/MERLIN	010144
3 D WIDE COLUMN SHIM RIGHT	STANDARD REAR CAN SHIM 552	058714
3 D WIDE COLUMN SHIM LEFT	STANDARD REAR CAN SHIM 552	058715
3 D NARROW COLUMN SHIM	STANDARD REAR CAN SHIM 552	058707
NARROW SHIM 3 DEEP	VITTEL	058134
NARROW SHIM 3 DEEP	16OZ BOTTLE	058138
WIDE SHIM LEFT	20 OZ BOTTLES 3 DEEP	058136
WIDE SHIM LEFT 16 OZ CAN	3 DEEP WIDE COLUMN	058126
WIDE SHIM RIGHT	20 OZ 3 DEEP	058135
WIDE SHIM RIGHT 16 OZ CAN	3 DEEP WIDE COLUMN	058125
3 DEEP SHIM ROD	FOR BOTTLE SHIM KITS	803009
SHIM ROD	FOR BOTTLE SHIM KITS	803007
ROD SPRING	SHIM ROD	914006
TIE STRIP SHIM	MERLIN	011189
BOTTOM TIE STRIP	16 OZ 3 DEEP MERLIN	203901
NARROW SHIM	10 OZ CAN 3 DEEP NARROW COLUMN	058124
<b>USE ON RUN 1352 AND AFTER ON ALL 3 DEEP+ MERLIN</b>		
FLAT SHIM	WIDE COLUMN / 3 DEEP + (12 GA.)	201105
FLAT SHIM	WIDE COLUMN / 3 DEEP+ (20 GA)	201107
FLAT SHIM	20 OZ BOTTLE / 3 DEEP+	201125
FLAT SHIM	3 DEEP+ / 16 GAUGE	201128
12 OZ FORMED CAN SHIM	NARROW COLUMN / 16 OZ / 3 DEEP+	201106
FORMED CAN SHIM	NARROW COLUMN / 3 DEEP+ (.375 THK)	201115
FORMED CAN SHIM	RIGHT / 3 DEEP+ /PC 12 OZ BOTTLE	201126
FORMED CAN SHIM	LEFT / 3 DEEP+ / PC 12 OZ BOTTLE	201127
FORMED SHIM	LEFT 3 DEEP+ WIDE COLUMN	201109
FORMED SHIM	RIGHT 3 DEEP+	201111
FORMED SHIM	NARROW COLUMN / 3 DP+	201122
6 OZ CAN SHIM	NARROW COLUMN / 3 DP+ / MERLIN	201121
10 OZ CAN SHIM	NARROW COLUMN / 3 DP+	201118
12 OZ CAN SHIM	NARROW SHIM / 16 OZ / 3 DEEP+	201108
NARROW SHIM	3 DEEP+ / 12 OZ CAN	201721
NARROW SHIM	16OZ BOTTLE	201132
W/A SHIM RIGHT	3 DEEP+ / .280 THICK	201160
W/A SHIM LEFT	3 DEEP+ / .280 THICK	201170
W/A SHIM LEFT	3 DEEP+ / POWERADE	201182
W/A SHIM RIGHT	3 DEEP+ / POWERADE	201183
WIDE SHIM RIGHT	3 DEEP+ MERLIN / 12 OZ CAN	201722
WIDE SHIM LEFT	3 DEEP+ MERLIN / 12 OZ CAN	201723
WIDE SHIM RIGHT	20 OZ BOTTLE / 3 DEEP+	201129
WIDE SHIM LEFT	20 OZ BOTTLE / 3 DEEP+	201131
SHIM HANGING ROD	NARROW	811006
SHIM HANGING ROD	5/32 DIA X 33.5 LONG	811003

# MISCELLANEOUS

## LOCKS & KEYS

CD LOCK W/2 KEYS	RVG 301	812057
CD LOCK ONLY	RVG 301	812128
CD KEY ONLY	RVG 301	912118

## WIRING HARNESS

<b>DOOR WIRING HARNESSES ARE FOR REV 1 BOARDS</b>		
DOOR WIRING HARNESS	8 SEL PC/CD MERLIN	012934
DOOR WIRING HARNESS	6 SEL PC/CD NARROW MERLIN	040915
<b>DOOR WIRING HARNESSES ARE FOR REV 2 BOARDS AND ABOVE</b>		
DOOR WIRING HARNESS	10 SELECT PC/CD MERLIN	017905
DOOR WIRING HARNESS	10 SEL PC MERLIN C.D.C.	196902
DOOR WIRING HARNESS	8 SE PC/CD MER (RUN 1272 & AFTER)	012912
DOOR WIRING HARNESS	6 NV SELECT PC/CD MERLIN	040904
DOOR WIRING HARNESS	6 SEL PC/CD MERLIN (630,540,444,372)	105903
DOOR WIRING HARNESS	5 SELECT NV PC/CD MERLIN	043904
DOOR WIRING HARNESS	7 SEL CC MERLIN C.D.C.	161902
DOOR WIRING HARNESS	PC/CD 10 & CC 9 SEL MERLIN III CDC	163902
<b>DOOR WIRING HARNESS ARE FOR ALL ELECTRO-MECH VENDORS</b>		
DOOR WIRING HARNESS	8 SELECT PC/CD REGULAR	012552
DOOR WIRING HARNESS	8 SELECT PC/CD REG. C.D.C.	195515
<b>CABINET WIRING HARNESSES ARE FOR ALL MERLIN VENDOR</b>		
CABINET WIRING HARNESS	10 SELECT PC/CD MERLIN	017904
CABINET WIRING HARNESS	10 SELECT PC/CD 618-10 MERLIN	220901
CABINET WIRING HARNESS	6 SELECT PC/CD (282,246,186) MERLIN	040903
CABINET WIRING HARNESS	6 SELECT PC/CD (540/630) MERLIN	114701
<b>CABINET WIRING HARNESS ARE FOR ALL ELECTRO-MECH VENDORS</b>		
CABINET WIRING HARNESS	8 SELECT PC/CD REGULAR	012701
MAIN WIRING HARNESS	ALL REGULAR VENDORS	842005
<b>SELECT PANEL HARNESSES ARE FOR ALL MERLIN VENDOR</b>		
SELECT PANEL HARNESS	10 SELECT PC/CD MERLIN	017903
SELECT PANEL HARNESS	10 SELECT PC/CD MERLIN C.D.C.	196901
SELECT PANEL HARNESS	8 SELECT PC/CD MERLIN	012543
SELECT PANEL HARNESS	6 SELECT PC/CD (282-6) MERLIN	040509
SELECT PANEL HARNESS	5 SELECT PC/CD (310-5) MERLIN	120501
SELECT PANEL HARNESS	5 SEL NV PC/CD (200) MERLIN	043506
<b>ACCESSORY HARNESSES</b>		
EXTERNAL D.E.X HARNESS	5.09 AND HIGHER, 10.00, 11.00 (EXTERNAL)	842119
DEX ROYAL HARNESS	ROYAL -- DEX (INTERNAL)	842099
IRON FERRITE JUMPER ASSY	FOR BOARD	011103
IRON FERRITE JUMPER ASSY	FOR BALLAST	010175
INTERFACE MOTOR HARNESS	VERSION 1 OR 2 TO VERSION 5 OR 6	842065
INTERFACE VALIDATOR HARNESS	VERSION 1 OR 2 TO VERSION 5 OR 6	842066
MAIN WIRING HARNESS	ALL MERLIN	842063
MAIN WIRING HARNESS	ALL MERLIN 4	842169
MECHANISM HARNESS	MERLIN IV / 12 COLUMNS-PRIOR TO 1521	842174
MECHANISM HARNESS	MERLIN IV / 12 COLUMNS-1521 & AFTER	842230
MECHANISM HARNESS	MERLIN IV / 10 COLUMNS-1521 & AFTER	842231
POWER LEAD	FEMALE END FROM LINE FILTER	842030

# MISCELLANEOUS

REFRIGERATION /RELAY HARNESS	CABINET SIDE	842237
REFRIGERATION /RELAY HARNESS	DOOR SIDE	842236
REFRIGERATION RELAY HARNESS	WIDE DOOR SIDE CDC MERLIN III	842235
TEMP SENSOR		822030

## CONTROL BOARDS / CHIPS

CONTROL BOARD	5.06	836052
CONTROL BOARD	5.11	836052
CONTROL BOARD	11.06 PC/CD/DP	836068
CONTROL BOARD	ROYAL COLD CAN -PC/CD(COMPACT VENDO	836085
CONTROL BOARD	PC/CD MERLIN 4 (3 BUTTON) VERSATILE	836094
CONTROL BOARD CHIP	5.11	836048
CONTROL BOARD CHIP	11.06	836069
CONTROLLER CHIP - REV.	REV. 41.05 (3 BUTTON POGRAMMING)	836095
CIRCUIT BOARD TEST BOX	TO TEST CONTROL BOARDS	011129

## ELECTRONIC ACCESSORIES

CONVERSION KIT	ELECTRONIC REFRIGERATION CONTROL	012162
MERLIN CONVERSION KIT	CD/PC VERSION 5.00 TO VERSION 11.00	012153
SMALL WATER BOTTLE VEND KIT	79"MERLIN 4 (2.500")	256110
SMALL WATER BOTTLE VEND KIT	72" MERLIN 4 (2.500")	257110
RECOMMENDED INVENTORY PART	MERLIN IV 3 BUTTON	256910
LAMP RELAY KIT	MERLIN III	141160
KEY SWITCH LOCK KIT	NO VEND	12154
FREE VEND SWITCH KIT	FREE VEND	012154
FREE VEND SWITCH KIT	FREE VEND MERLIN IV	256150
KEY SWITCH LOCK	MERLIN II	011126
VEND COUNTER ASSEMBLY	110 VOLT	010150
VEND COUNTER ASSEMBLY	MERLIN 1.16A AND UNDER	010193
VEND RELAY	ELECTRO-MECH	836001

## LOCK COVERS

LOCK COVER ASSEMBLY	BEFORE RUN CC 1172, CD 1032, PC1045 2PCS	010110
LOCK COVER ASSEMBLY	CD 1033 & NEWER, CC 1173 TO 1207 3PCS	011140
LOCK COVER ASSEMBLY	PC & DP 1045 & NEWER	012130
LOCK COVER KIT	PC CENTER DOOR CHANGER	195513
STRIKE/LOCK PLATE	VANDAL RESISTANT	810039
LOCK PLATE	VANDAL RESISTANT	810038
LOCK COVER STRIKE	FOR 2 PCS LOCK COVER	010116
LATCH PLATE	FOR RUN 1173 TO 1207	810020
LOCK PLATE	FOR RUN 1173 TO 1207	810019

## CHANGER ACCESSORIES

COIN CHANGER RECEPTACLE	ELECTRO-MECH/JONES PLUG TERMINAL	940004
COIN CHANGER SOCKET	ELECTRO-MECH/JONES PLUG HOUSING	940009
15 WAY CHANGER SOCKET	MERLIN	840059
HARNESS ASSY SERIAL CHANGER	SERIAL CHANGER HARNESS / FROM BOARD	842079
CHANGER PLUG HARNESS	C.D.C. FOR "L" CHANGER RUN 1374 AFTER	195906

# MISCELLANEOUS

CHANGER PLUG HARNESS ASSY	MERLIN	010914
CHANGER PLUG HARNESS-110VDC	A.V.I. VENDORS	122525
COIN INSERT COVER	VENDORS W CAST IRON COIN INSERT	012119
WATER SHIELD	COIN INSERT	012530

## KITS AND ASSEMBLIES

PATCH PLATE KIT	FOR SECURITY PLATE / PC / CD	012191
MULTI PRICE KIT	PC/CD	012171
KEY SWITCH LOCK KIT	REG	012151
SECURITY PLATE/TOP HINGE KIT	FOR ALL VENDORS	141017
VALIDATOR JUMPER ASSY	COINCO & MARS	010138
DEBITEK PLATE ASSEMBLY	FOR MOUNTING CARD READER (DEBITEK)	141103

## STACK ACCESSORIES

SWITCH INSULATOR SPACER	FOR SOLD OUT SWITCHES	815016
SOLD OUT BAR	8 SELECT	010733
SOLD OUT PADDLE	NARROW	010731
SOLD OUT PADDLE	WIDE	010729
SOLD OUT COVER	WIDE	010033
CAM	3-DEEP OSCILLATOR	815048
CAM	3-DEEP ROTOR	815049
CAM	2 DEEP	815027
79" GATE W/A	6W/1N REGULAR	027710
79" GATE W/A	4W/4N REGULAR	010760
79" GATE W/A	4W/4N MERLIN	010910
79" GATE W/A (SMALL)	1W/9N MERLIN	015910
GATE W/A SMALL	3W/3N MERLIN 72"	036910
79" GATE W/A (LARGE)	1W/9N MERLIN	015920
79" GATE W/A	1W/9N REGULAR	015720
72" GATE W/A	4W/4N WIDE REGULAR	011710
72" GATE W/A	4W/4N WIDE MERLIN	011910
72" GATE W/A	1W/9N WIDE REGULAR	016720
72" GATE W/A (SMALL)	1W/9N WIDE REGULAR	016710
72" GATE W/A (SMALL)	1W/9N WIDE MERLIN	016910
72" GATE W/A (LARGE)	1W/9N WIDE MERLIN	016920
72" GATE W/A 3-DEEP	4W/4N WIDE MERLIN	059910
MECH. GATE W/A	72" 16OZ 3 DP MERLIN CD/PC (510)	204920
MECH. GATE W/A	SMALL 9/10 SEL MERLIN 72" 3 DEEP	091910
HEM CHANNEL CAP	ALL	815024
LATCH	GATE	010725
VEND MOTOR COVER	WIDE & 3-DEEP	010029
VEND MOTOR COVER	NARROW	036003
MECH. PLATE	REAR 8 SELECT 4/W 4/N	010703
MECH SUPPORT	2 DEEP	010005