

Size: 20oz / 591ml
05/21/99

Rev. A Date

Pkg. Description/Type: 20oz / 591ml Dr PEPPER BLUE DIE TAPER NECK

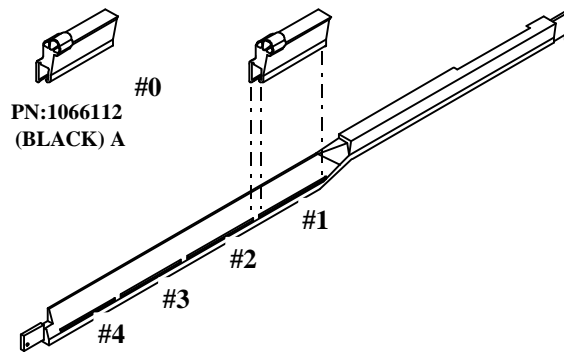
Franchise: Dr PEPPER

KIT#

Column Setup

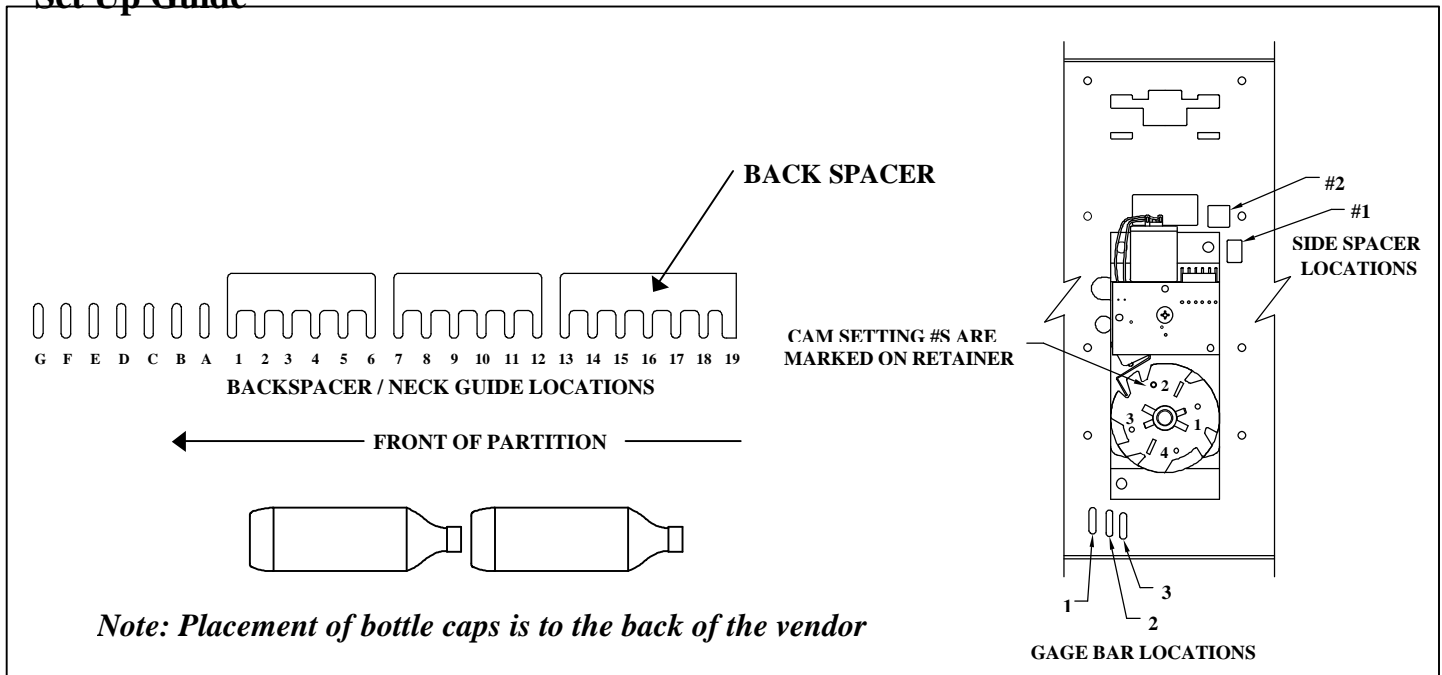
Cam Setting	Back Spacer	Neck Guide Locations	Gage Bar Clip Location	Gage Bar Location	Side Spacer	Sold Out Flap	Sold Out Spacer
2	16		A/#1	#1	N/A	Long	N/A

Note: To properly vend product the V-Max must have the columns set up as illustrated.



Gage Bar Clip Location

Set Up Guide



FOR OTHER PRODUCT SET-UP GUIDES, CONTACT THE VENDO COMPANY.
TEL: (559)439-1770 FAX: (559) 439-2083.

Installation Instruction #

Size: 20oz / 591ml
04/26/00

Rev. A Date

Pkg. Description/Type: 20oz / 591ml Dr PEPPER (EMBOSED) TAPER NECK

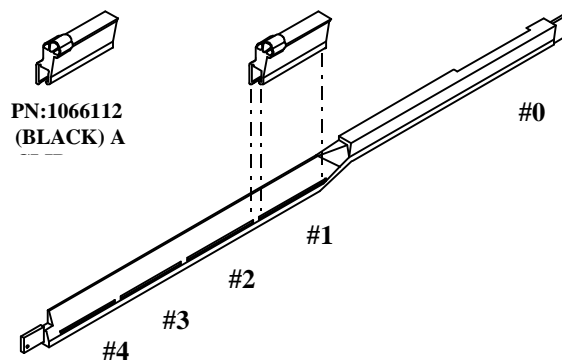
Franchise: Dr PEPPER

KIT#

Column Setup

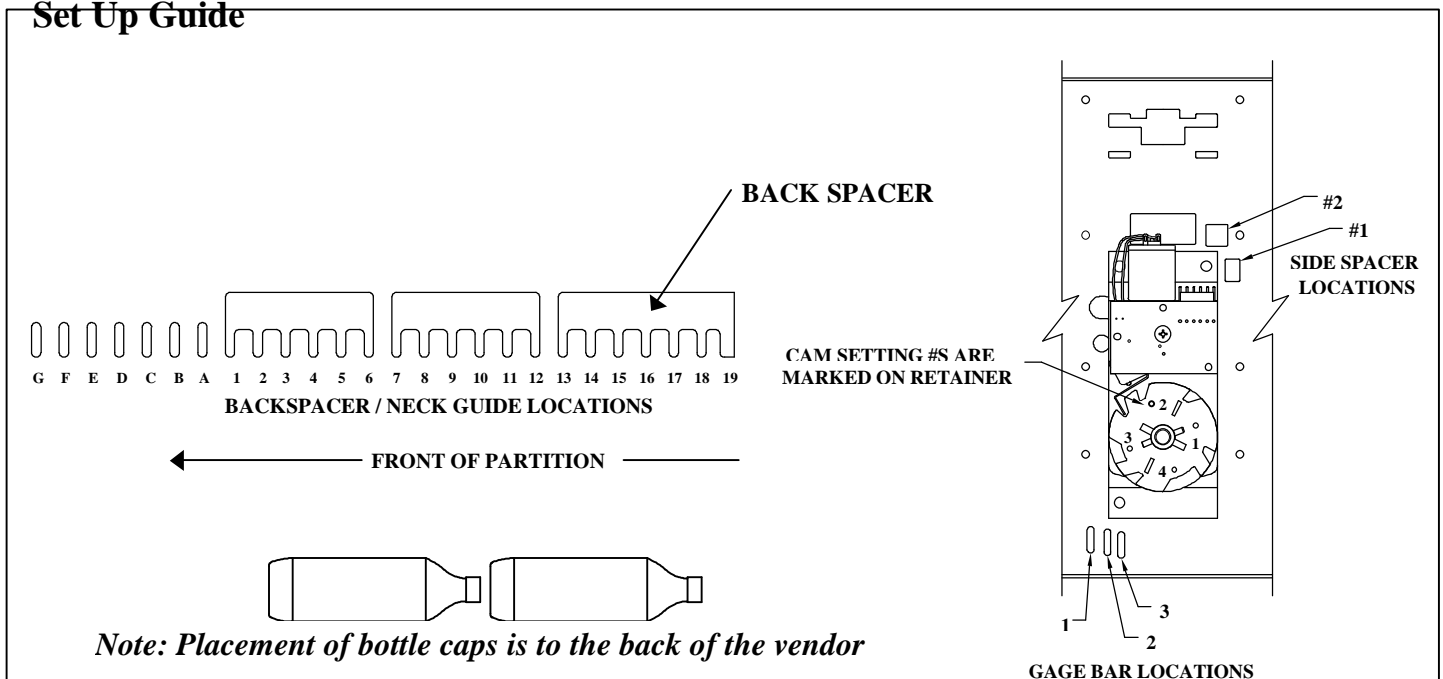
Cam Setting	Back Spacer	Neck Guide Locations	Gage Bar Clip Location	Gage Bar Location	Side Spacer	Sold Out Flap	Sold Out Spacer
2	16	N/A	A/#1	#1	N/A	Long	N/A

Note: To properly vend product the V-Max must have the columns set up as illustrated.



Gage Bar Clip Location

Set Up Guide



FOR OTHER PRODUCT SET-UP GUIDES, CONTACT THE VENDO COMPANY.
TEL: (559) 439-1770 FAX: (559) 439-2083.

Installation Instruction #

Size: 20oz / 591ml
04/26/00

Rev. A Date

Pkg. Description/Type: 20oz / 591ml Dr PEPPER (NON EMBOSED) TAPER NECK

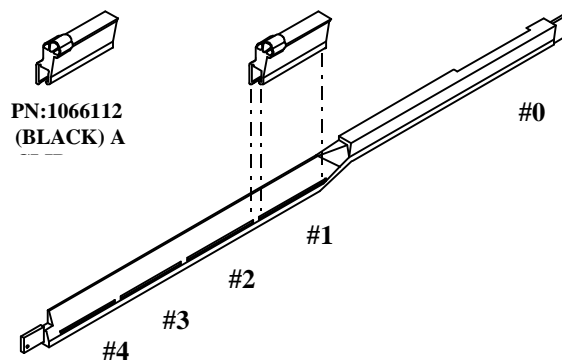
Franchise: Dr PEPPER

KIT#

Column Setup

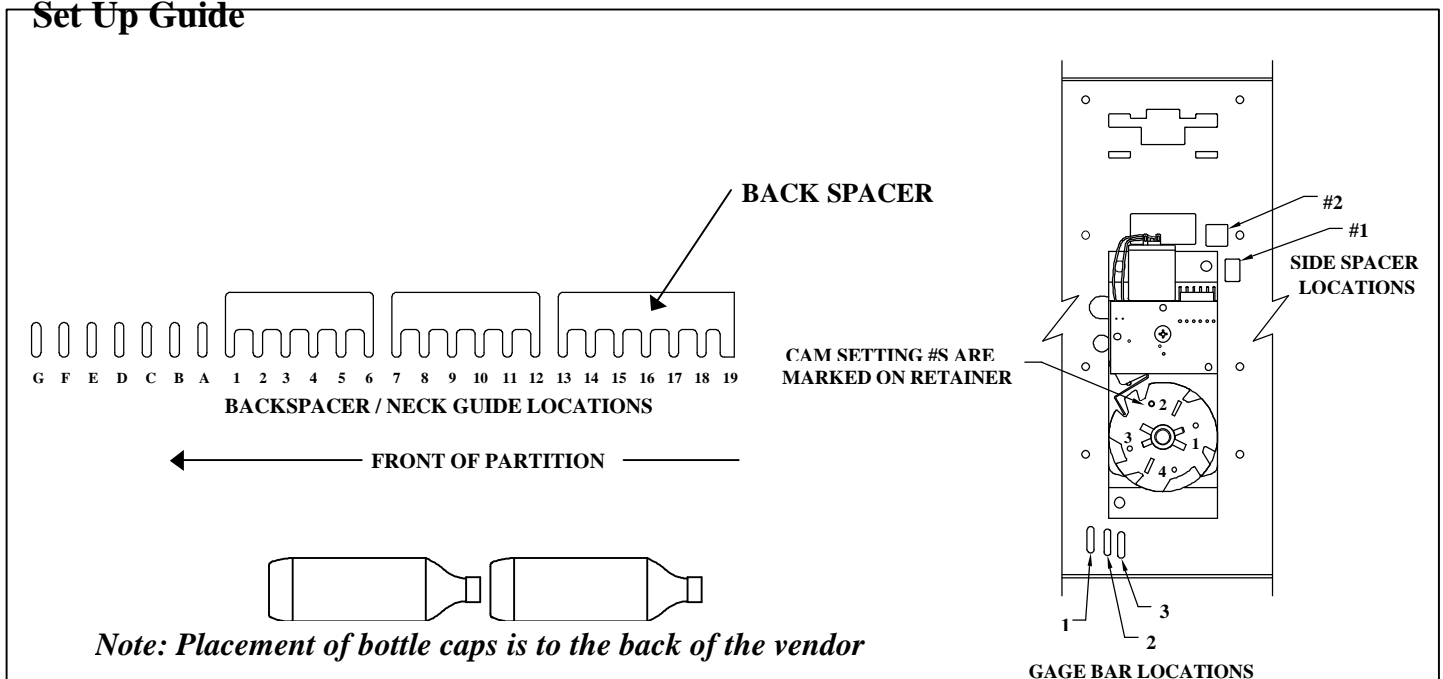
Cam Setting	Back Spacer	Neck Guide Locations	Gage Bar Clip Location	Gage Bar Location	Side Spacer	Sold Out Flap	Sold Out Spacer
2	16	N/A	A/#1	#1	N/A	Long	N/A

Note: To properly vend product the V-Max must have the columns set up as illustrated.



Gage Bar Clip Location

Set Up Guide



FOR OTHER PRODUCT SET-UP GUIDES, CONTACT THE VENDO COMPANY.
TEL: (559) 439-1770 FAX: (559) 439-2083.

Installation Instruction #

Size: 20oz / 591ml
10/20/98

Rev. B Date

Pkg. Description/Type: 20oz / 591ml Dr PEPPER TAPER NECK

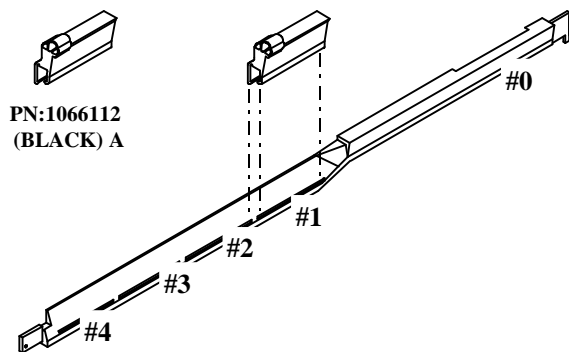
Franchise: Dr PEPPER

KIT# 1113228-2

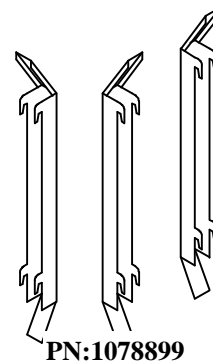
Column Setup

Cam Setting	Back Spacer	Neck Guide Locations	Gage Bar Clip Location	Gage Bar Location	Side Spacer	Sold Out Flap	Sold Out Spacer
2	16	Front Rt. & Left B,C Rear Right Side 13,14	A/#1	#1	N/A	Long	N/A

Note: To properly vend product the V-Max must have the columns set up as illustrated.

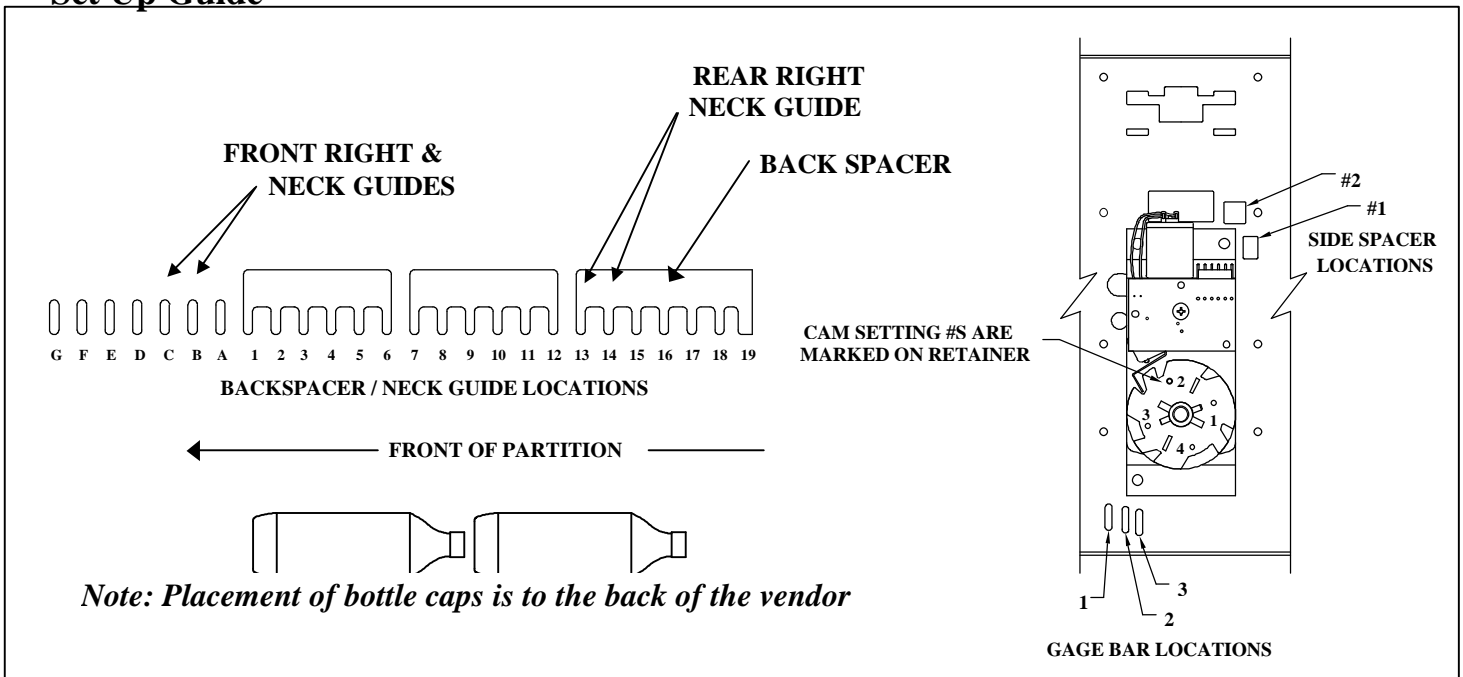


Gage Bar Clip Location



Neck Guides

Set Up Guide



FOR OTHER PRODUCT SET-UP GUIDES, CONTACT THE VENDO COMPANY.
TEL: (209)439-1770 FAX: (209) 439-2083.

Installation Instruction #1118422

Size: 20oz / 591ml

Rev. A Date 7/17/00

Pkg. Description/Type: 20oz / 591ml Dr PEPPER TAPER NECK

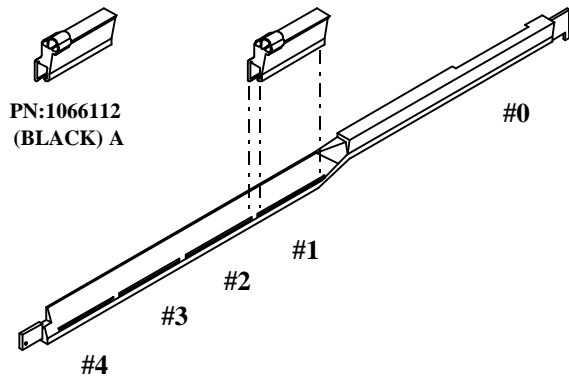
Franchise: Dr Pepper

KIT# 1113228-7

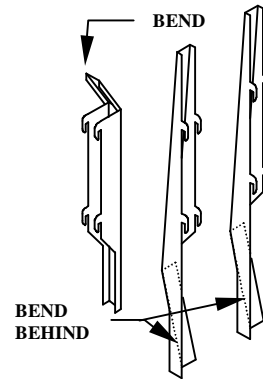
Column Setup

Cam Setting	Back Spacer	Neck Guide Locations	Gage Bar Clip Location	Gage Bar Location	Side Spacer	Sold Out Flap	Sold Out Spacer
2	16	Front Rt. & Left B,C Rear Rt. 13,14	A/#1	#1	N/A	Long	N/A

Note: To properly vend product the V-Max must have the columns set up as illustrated.



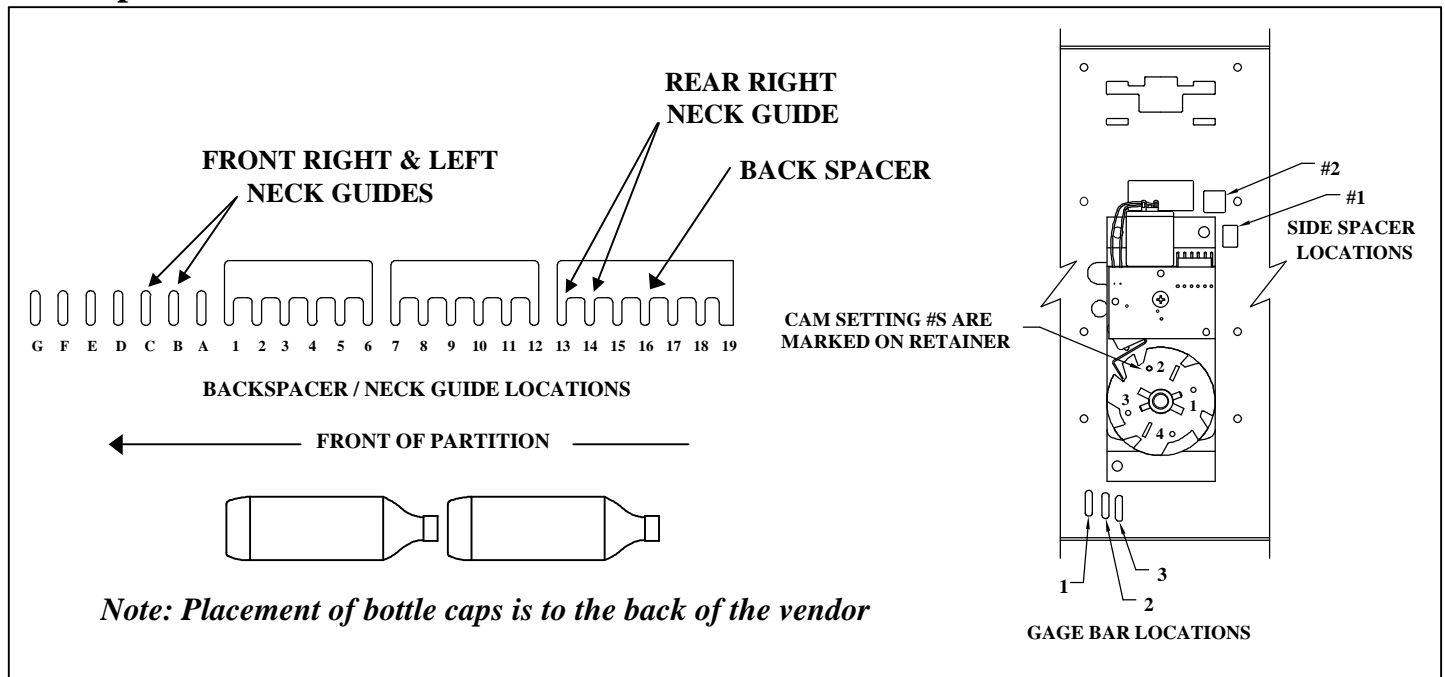
Gage Bar Clip Location



PN:1121027 Left Side. PN:1121026 Right Side.

Neck Guides

Set Up Guide



FOR OTHER PRODUCT SET-UP GUIDES, CONTACT THE VENDO COMPANY.

TEL: (559) 439-1770 FAX: (559) 439-2083.