

10/29/97

1. PRODUCT

10 OZ. NR GLASS - 2.57 x 5.80 Long

2. PRODUCT CAPACITY

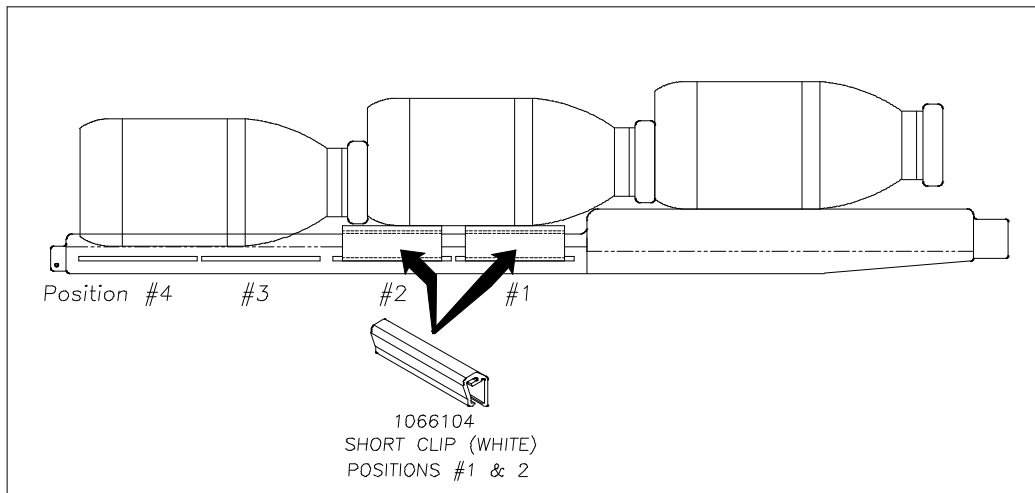
48 PER COLUMN - 72", 57 PER COLUMN - 79"

3. SET UP GUIDE UNIVENDOR-2

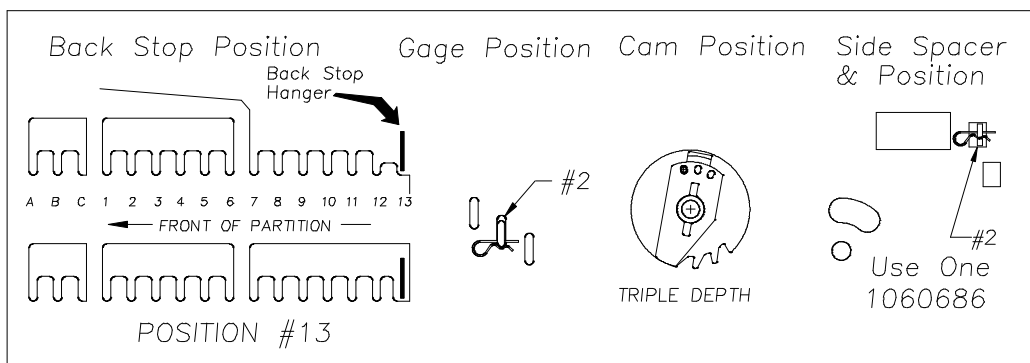
Product	CAM POSITION	BACK SPACER	GAGE BAR	Sold out Lever	SIDE	GAGE BAR CLIP	
					SPACER	Part No.	Position
10 oz NR GLASS	3	13	2	389242 SHORT	1060686	1066104	1 & 2

Note: To properly vend 10oz. NR Glass. The Univendor-2 must have the columns setup correctly.

4. GAGE BAR CLIP SET UP.



5. SET UP GUIDE.



**6. SOLD-OUT LEVER TO BE SHORT STYLE WITH FRONT SPACER.
SPRING TO BE LOCATED ON THE RIGHT SIDE (LOW PRESSURE SETTING).**

6. FOR OTHER PRODUCT SET UP GUIDES CONTACT THE VENDO COMPANY.

TEL: (209) 439-1770 FAX: (209) 439-2083.

Vendo[®] Engineering Uni-2 Set Up Guide

Size: 11.5 oz.

Rev. B Date

02/28/01

Pkg. Description/Type: JUICE CANS

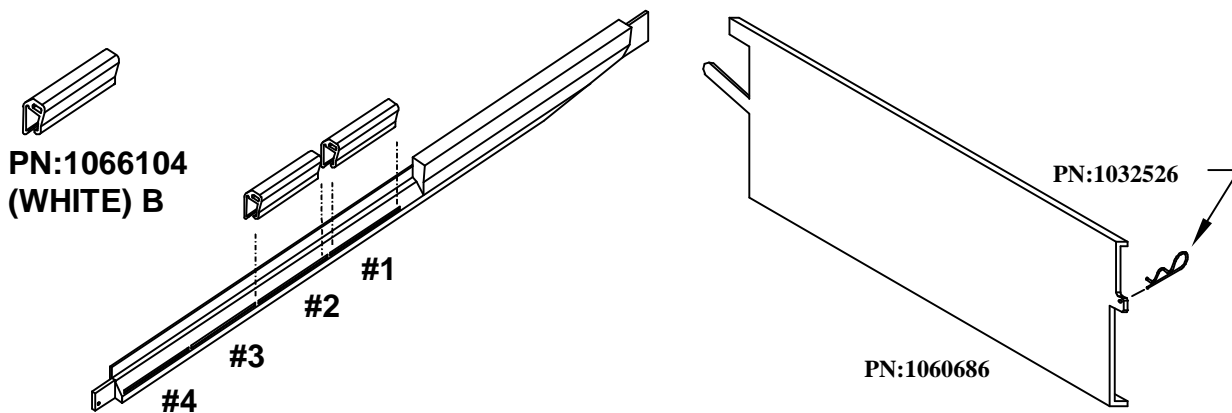
Franchise: WELCH'S

KIT#

Column Setup

Cam Setting	Back Spacer	Neck Guide Locations	Gage Bar Clip Location	Gage Bar Location	Side Spacer	Sold Out Flap	Sold Out Spacer
3	8	N/A	B/#1 & B/#2	#2	1060686	1083449	1077457

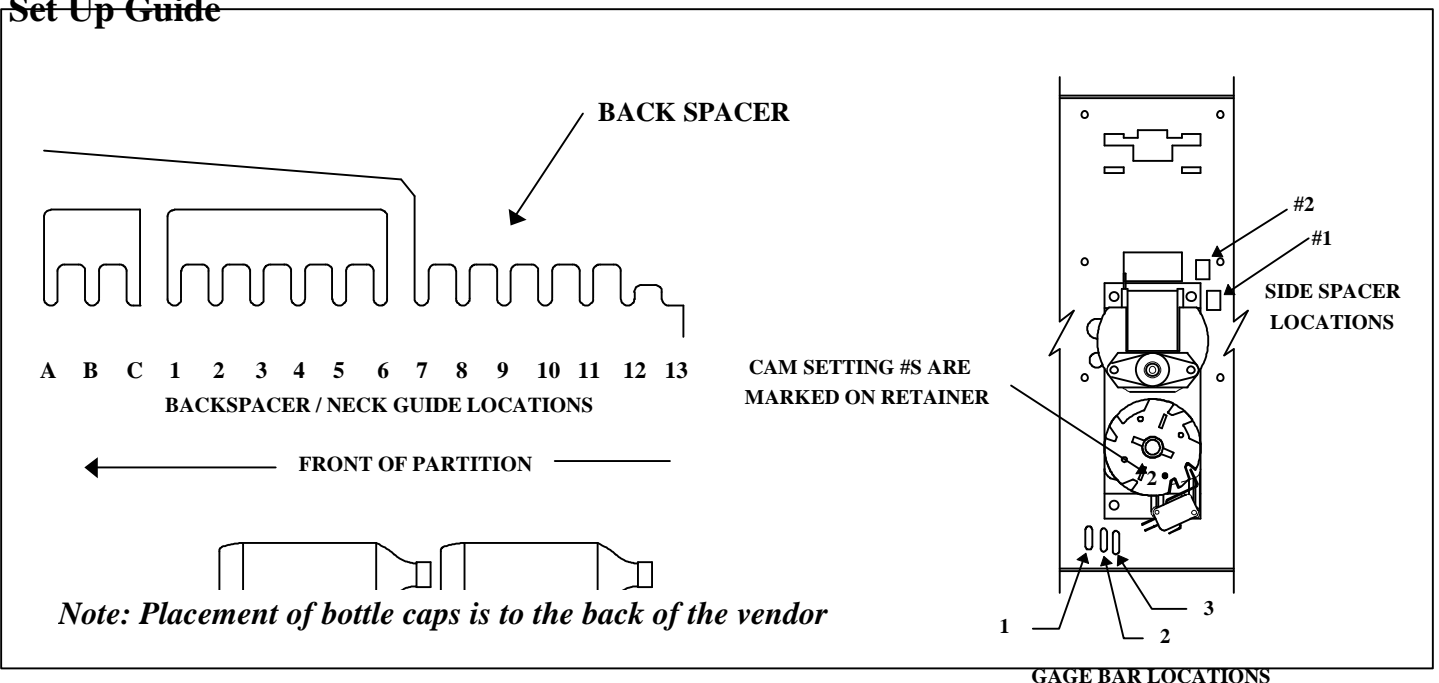
Note: To properly vend 11.5 Oz. Cans, the Univendor-2 must have the columns setup correctly.



Gage Bar Clip Location

Shim/Spacer

Set Up Guide



FOR OTHER PRODUCT SET-UP GUIDES, CONTACT THE VENDO COMPANY

Installation Instruction #

TEL: (559) 439-1770 FAX: (559) 439-2083.

Installation Instruction #

2/10/96

1. PRODUCT

12 OZ. CANS - 2.60 x 4.84 Long

2. PRODUCT CAPACITY

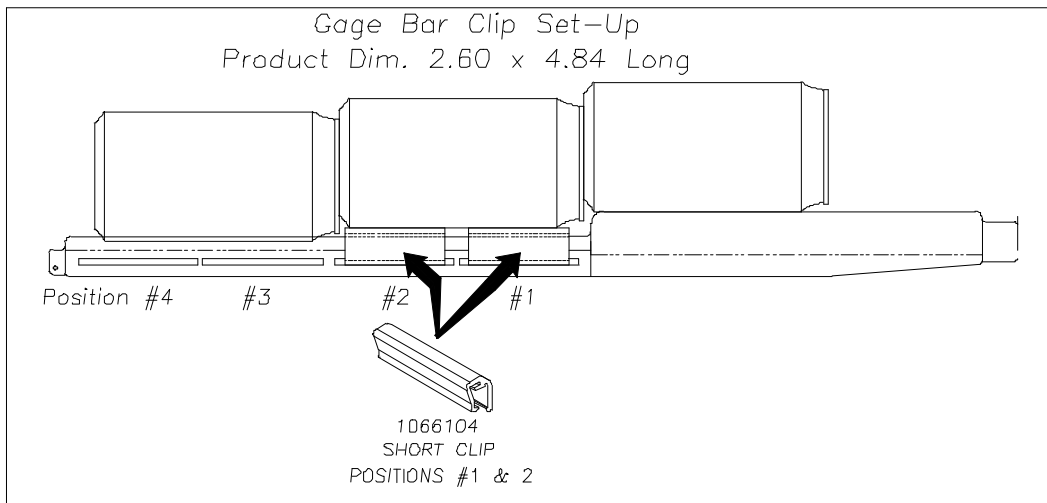
48 PER COLUMN - 72", 57 PER COLUMN - 79"

3. SET UP GUIDE UNIVENDOR-2

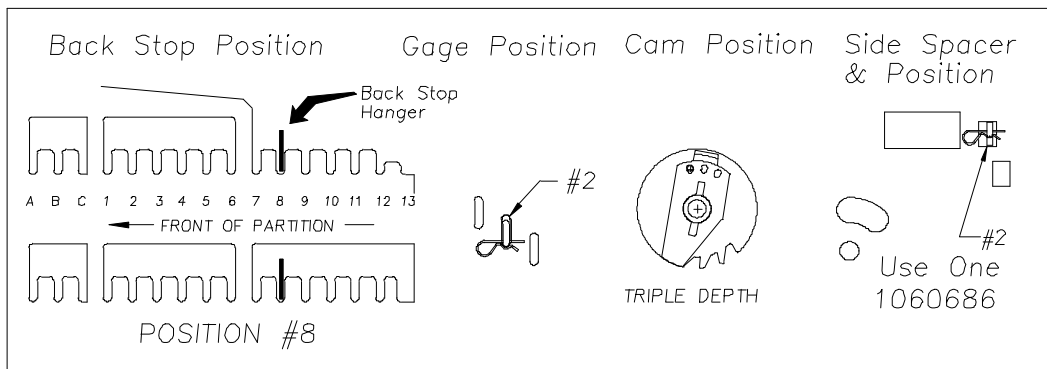
Product	CAM POSITION	BACK SPACER	GAGE BAR	Sold out Lever	SIDE SPACER	GAGE BAR CLIP	
						Part No.	Position
12 oz CANS	3	8	2	389242 SHORT	1060686	1066104 White	1 & 2

Note: To properly vend 12 oz. Cans. The Univendor-2 must have the columns setup correctly.

4. GAGE BAR CLIP SET UP.



5. SET UP GUIDE.



6. SOLD-OUT LEVER TO BE SHORT STYLE WITH FRONT SPACER. SPRING TO BE LOCATED ON THE RIGHT SIDE (LOW PRESSURE SETTING).

1. PRODUCT

15.5 OZ. ALL YOO-HOO GLASS BOTTLE - 2.91 Top x 2.95 Btm x 7.20 Long

2. PRODUCT CAPACITY

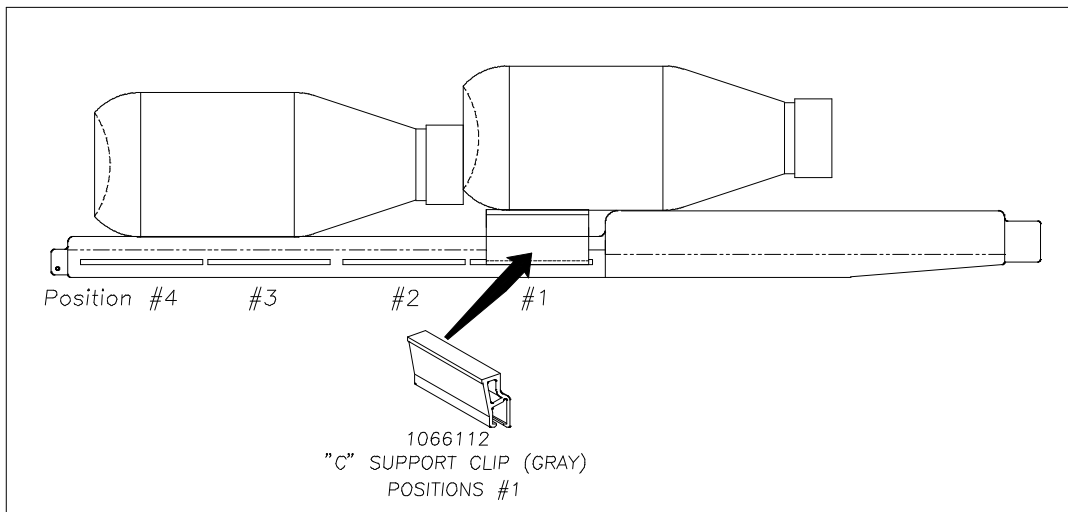
26 PER COLUMN - 72", 32 PER COLUMN - 79"

3. SET UP GUIDE UNIVENDOR-2

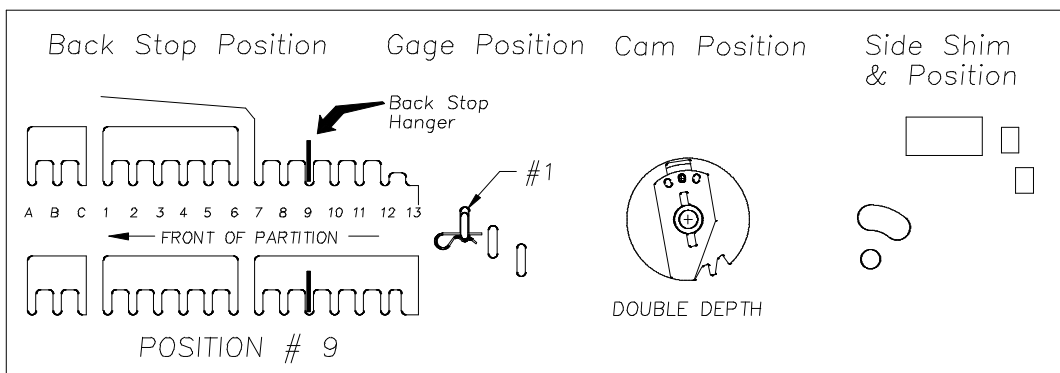
Product	CAM POSITION	BACK SPACER	GAGE BAR	Sold out Lever	SIDE	TRIM	GAGE BAR CLIP	
					SHIM	KIT	Part No.	Position
15.5 oz YOO-HOO	2	9	1	389242 SHORT	NONE	1085848	1066112-1	1

Note: To properly vend 15.5oz. YOO-HOO. The Univendor-2 must have the columns setup correctly.

4. GAGE BAR CLIP SET UP.



5. SET UP GUIDE.



6. SOLD-OUT LEVER TO BE SHORT STYLE WITH FRONT SPACER. SPRING TO BE LOCATED ON THE RIGHT SIDE (LOW PRESSURE SETTING).

7. FOR OTHER PRODUCT SET UP GUIDES CONTACT THE VENDO ENGINEERING COMPANY. TEL: (209) 439-1770 FAX: (209) 439-2083.

1. PRODUCT

500ML, 16.9 OZ. COLE BROTHERS - MINERAL WATER PET BOTTLE - 2.60 x 7.90 Long

2. PRODUCT CAPACITY

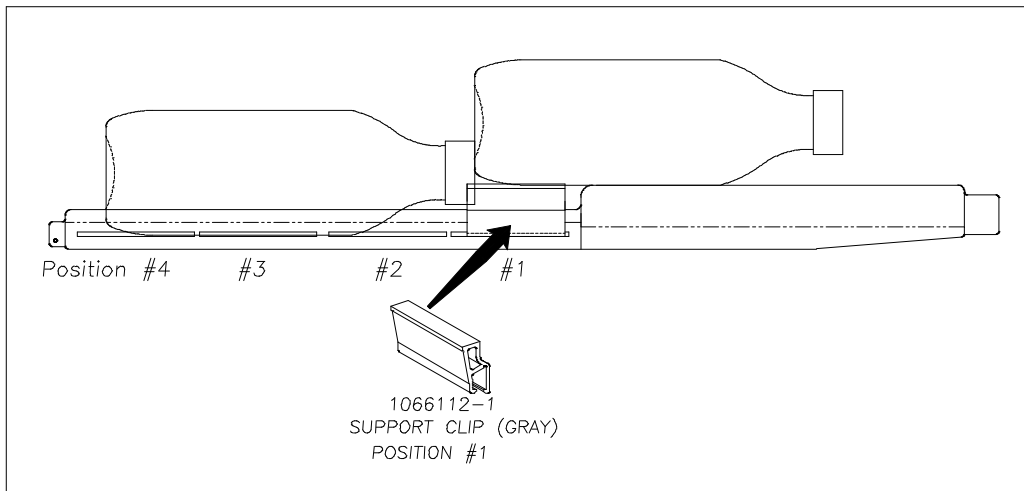
30 PER COLUMN - 72"

3. SET UP GUIDE UNIVENDOR-2

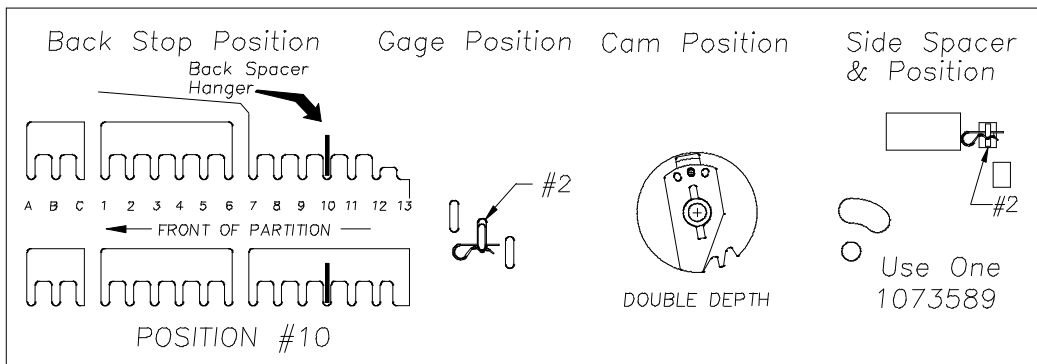
Product	CAM POSITION	BACK SPACER	GAGE BAR	Sold out Lever	SIDE SPACER	GAGE BAR CLIP	
						Part No.	Position
16.9oz Cole Bros.	2	10	2	389242 SHORT	1073589	1066112-1	1

Note: To properly vend Cole Bros. 16.9oz. The Univendor-2 must have the columns setup correctly.

4. GAGE BAR CLIP SET UP.



5. SET UP GUIDE.



6. SOLD-OUT LEVER TO BE SHORT STYLE WITH NEW FRONT SPACER #1077457. SPRING TO BE LOCATED ON THE RIGHT SIDE (LOW PRESSURE SETTING).

7. FOR OTHER PRODUCT SET UP GUIDES CONTACT VENDU COMPANY. TEL: (559) 439-1770 FAX: (559) 439-2083.

Vendo[®] Engineering Uni-2 Set Up Guide

Size: 16.9oz / 500ml

Rev. A Date

12/05/00

Pkg. Description/Type: MONTCLAIR WATER

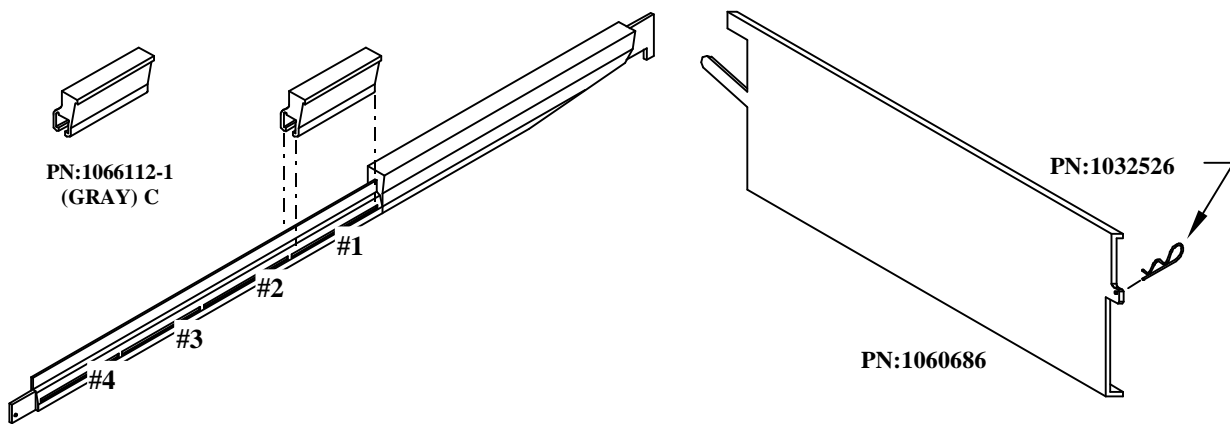
Franchise: PERRIER GROUP OF CANADA

KIT#

Column Setup

Cam Setting	Back Spacer	Neck Guide Locations	Gage Bar Clip Location	Gage Bar Location	Side Spacer	Sold Out Flap	Sold Out Spacer
2	10	N/A	C/#1	#2	1060686 Loc. #2	Short* 1083449	1077457

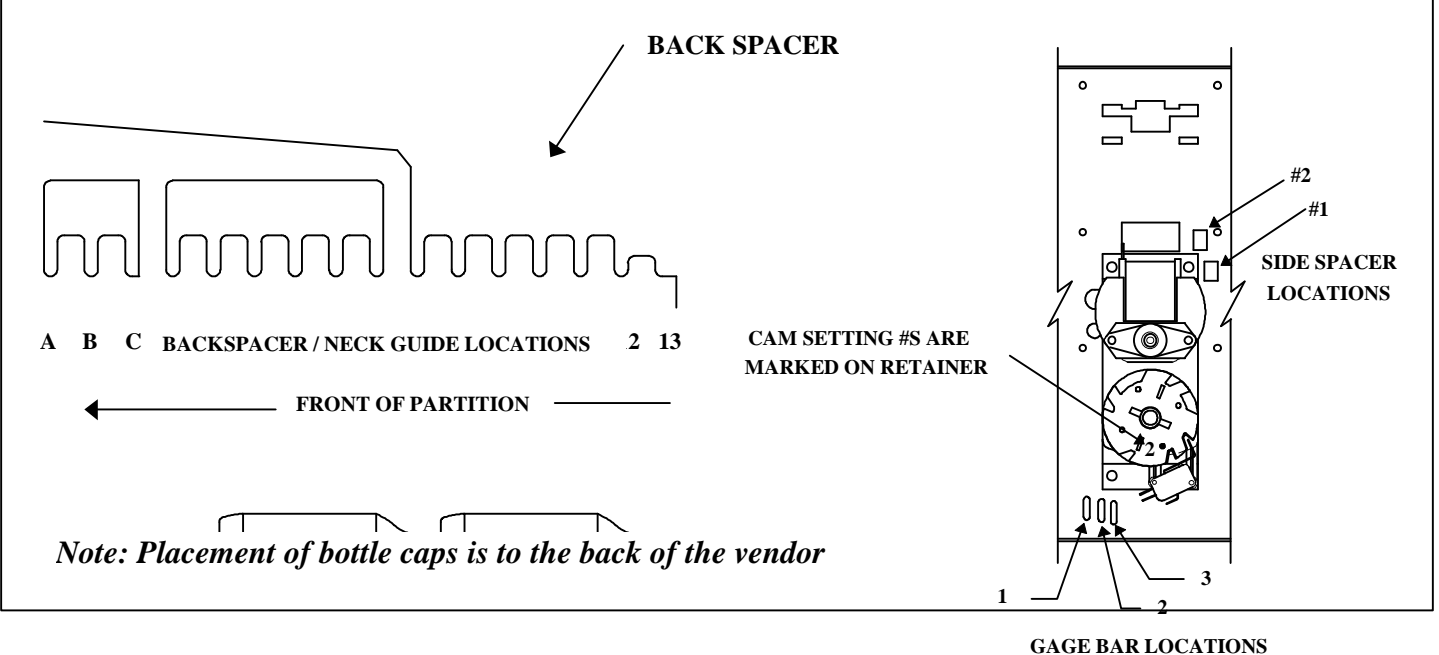
Note: To properly vend product the Uni-2 must have the columns set up as illustrated. *Spring Loc. Rt (Low Tension) side.



Gage Bar Clip Location

Shim/Spacer

Set Up Guide



**FOR OTHER PRODUCT SET-UP GUIDES, CONTACT THE VENDO COMPANY
TEL: (559) 439-1770 FAX: (559) 650-3455.**

1. PRODUCT

473 ML, 16 OZ. ARROWHEAD - WATER PET BOTTLE - 2.58 x 7.50 Long

2. PRODUCT CAPACITY

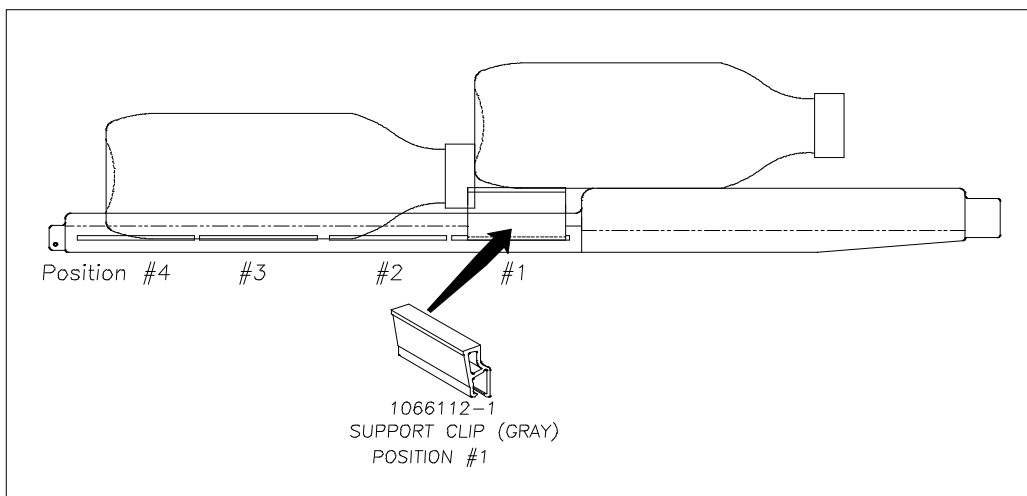
34 PER COLUMN - 72", 44 PER COLUMN - 79"

3. SET UP GUIDE UNIVENDOR-2

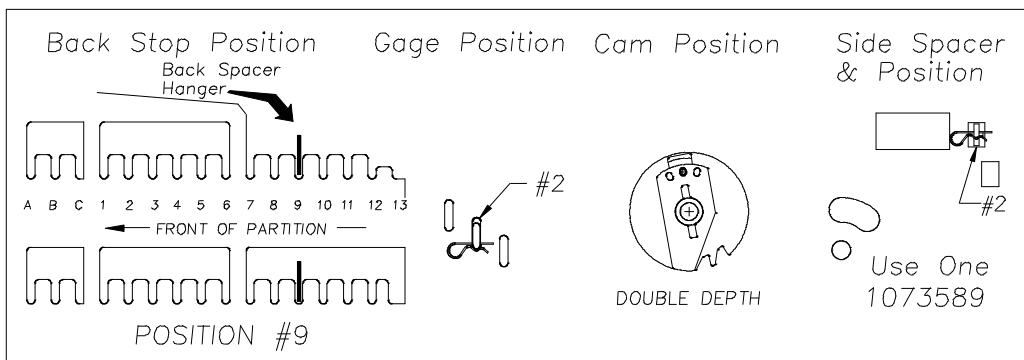
Product	CAM POSITION	BACK SPACER	GAGE BAR	Sold out Lever	SIDE	GAGE BAR CLIP	
					SPACER	Part No.	Position
16 OZ Arrowhead	2	9	2	389242 SHORT	1073589	1066112-1	1

Note: To properly vend Arrowhead 16oz.The Univendor-2 must have the columns setup correctly.

4. GAGE BAR CLIP SET UP.



5. SET UP GUIDE.



6. SOLD-OUT LEVER TO BE SHORT STYLE WITH NEW FRONT SPACER #1077457. SPRING TO BE LOCATED ON THE RIGHT SIDE (LOW PRESSURE SETTING).

7. FOR OTHER PRODUCT SET UP GUIDES CONTACT VENDO COMPANY. TEL: (209) 439-1770 FAX: (209) 439-2083.

1. PRODUCT

16 OZ. CRYSTAL LIGHT PET BOTTLE - 2.61 x 8.00 Long

2. PRODUCT CAPACITY

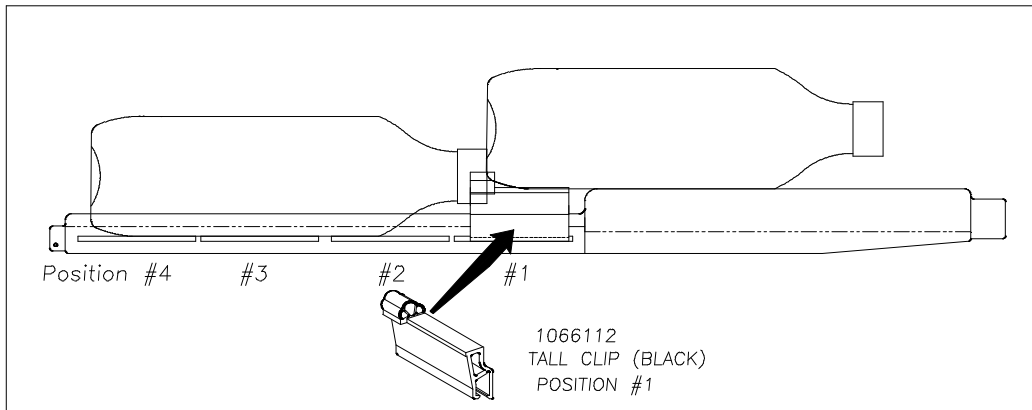
30 PER COLUMN - 72", 36 PER COLUMN - 79"

3. SET UP GUIDE UNIVENDOR-2

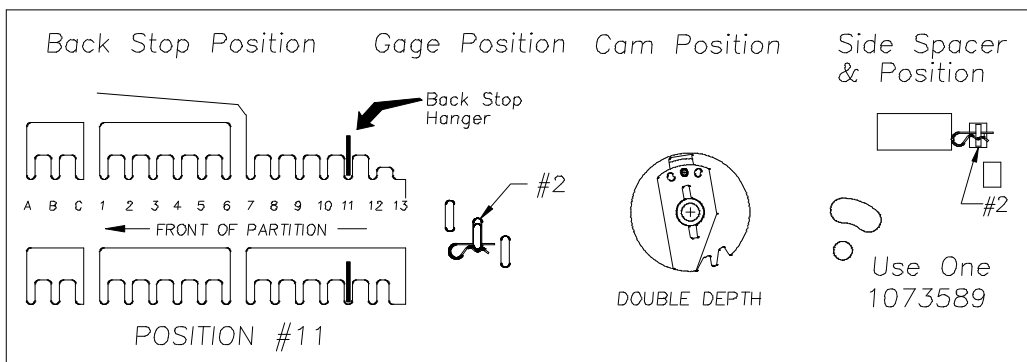
Product	CAM POSITION	BACK SPACER	GAGE BAR	Sold out Lever	SIDE SPACER	GAGE BAR CLIP	
						Part No.	Position
16 OZ Crystal L.	2	11	2	389242 SHORT	1073589	1066112	1

Note: To properly vend 16oz Crystal Light. The Univendor-2 must have the columns setup correctly.

4. GAGE BAR CLIP SET UP.



5. SET UP GUIDE.



6. SOLD-OUT LEVER TO BE SHORT STYLE WITH NEW FRONT SPACER #1077457. SPRING TO BE LOCATED ON THE RIGHT SIDE (LOW PRESSURE SETTING).

7. FOR OTHER PRODUCT SET UP GUIDES CONTACT THE VENDO COMPANY. TEL: (209) 439-1770 FAX: (209) 439-2083.

1. PRODUCT

16 OZ. 473ML GLASS BOTTLE - 2.90 x 6.88 Long

2. PRODUCT CAPACITY

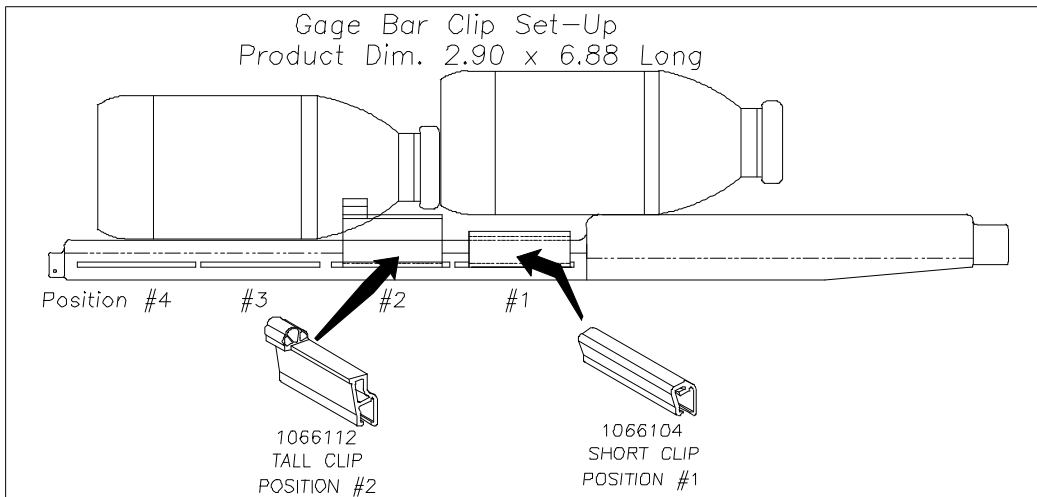
28 PER COLUMN - 72", 32 PER COLUMN - 79"

3. SET UP GUIDE UNIVENDOR-2

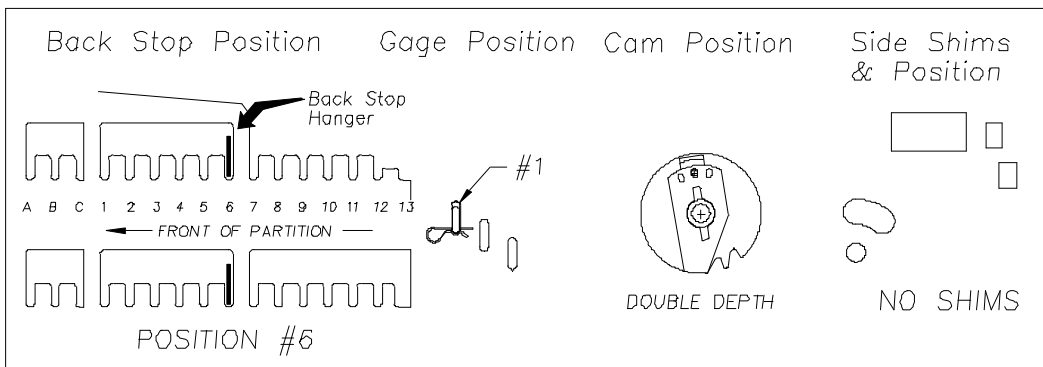
Product	CAM POSITION	BACK SPACER	GAGE BAR	Sold out Lever	SIDE SPACER	GAGE BAR CLIP	
						Part No.	Position
GLASS 16 OZ.	2	6	1	389242 SHORT	NONE	1066104	1
						1066112	2

Note: To properly vend 16 Oz. Glass. The Univendor-2 must have the columns setup correctly.

4. GAGE BAR CLIP SET UP.



5. SET UP GUIDE.



6. SOLD-OUT LEVER TO BE SHORT STYLE WITH FRONT SPACER. SPRING TO BE LOCATED ON THE RIGHT SIDE (LOW PRESSURE SETTING).

1. PRODUCT

16 OZ. VERYFINE CHILLERS PET BOTTLE - 2.80 x 7.20 Long

2. PRODUCT CAPACITY

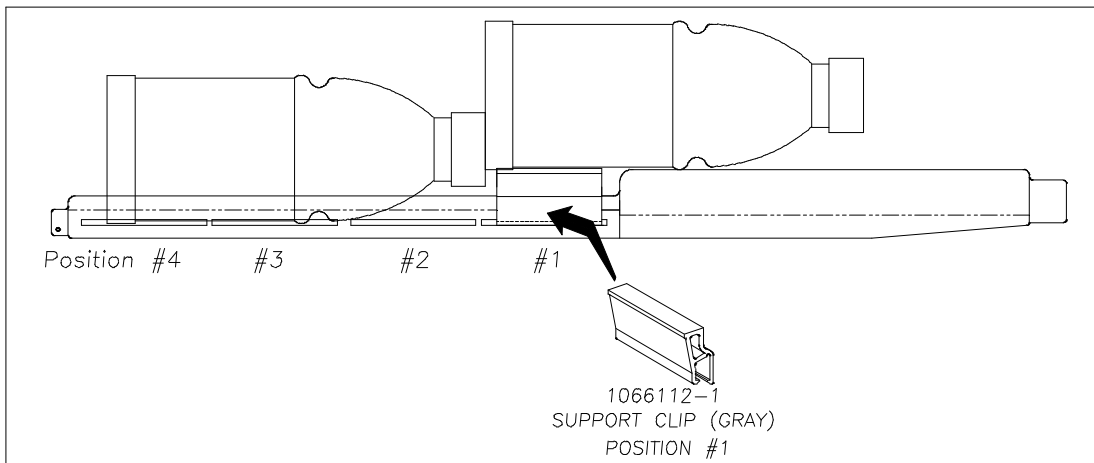
28 PER COLUMN - 72", 34 PER COLUMN - 79"

3. SET UP GUIDE UNIVENDOR-2

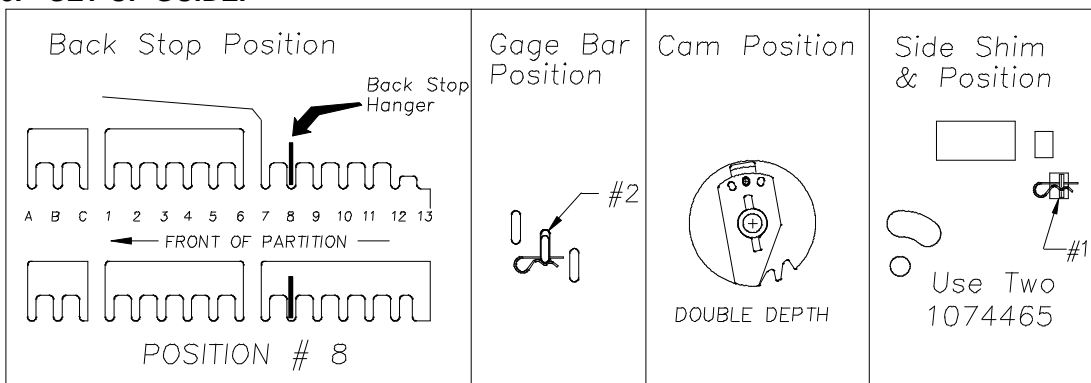
Product	CAM POSITION	BACK SPACER	GAGE BAR	Sold out Lever	SIDE SPACER	GAGE BAR CLIP	
						Part No.	Position
16 OZ Chillers	2	8	2	389242 SHORT	TWO 1074465	1066112-1	1

Note: To properly vend Chillers 16oz. The Univendor-2 must have the columns setup correctly. Some product will be damaged out of the box and cause jamming, the bottom of the product will be flat or dented in some places, please discard.

4. GAGE BAR CLIP SET UP.



5. SET UP GUIDE.



6. SOLD-OUT LEVER TO BE SHORT STYLE WITH NEW FRONT SPACER #1077457. SPRING TO BE LOCATED ON THE RIGHT SIDE (LOW PRESSURE SETTING).

7. FOR OTHER PRODUCT SET UP GUIDES CONTACT THE VENDO COMPANY. TEL: (209) 439-1770 FAX: (209) 439-2083.

Vendo[®] Engineering Uni-2 Set Up Guide

Size: 16oz / 473ml

Rev. B Date 02/28/01

Pkg. Description/Type: WELCH'S FRUIT JUICE GLASS

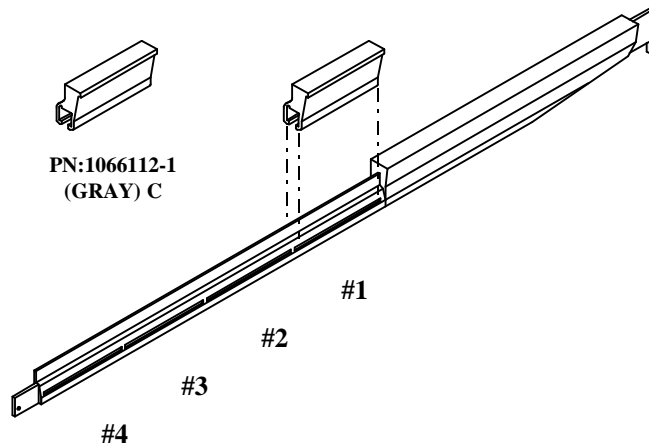
Franchise: WELCH'S

KIT#

Column Setup

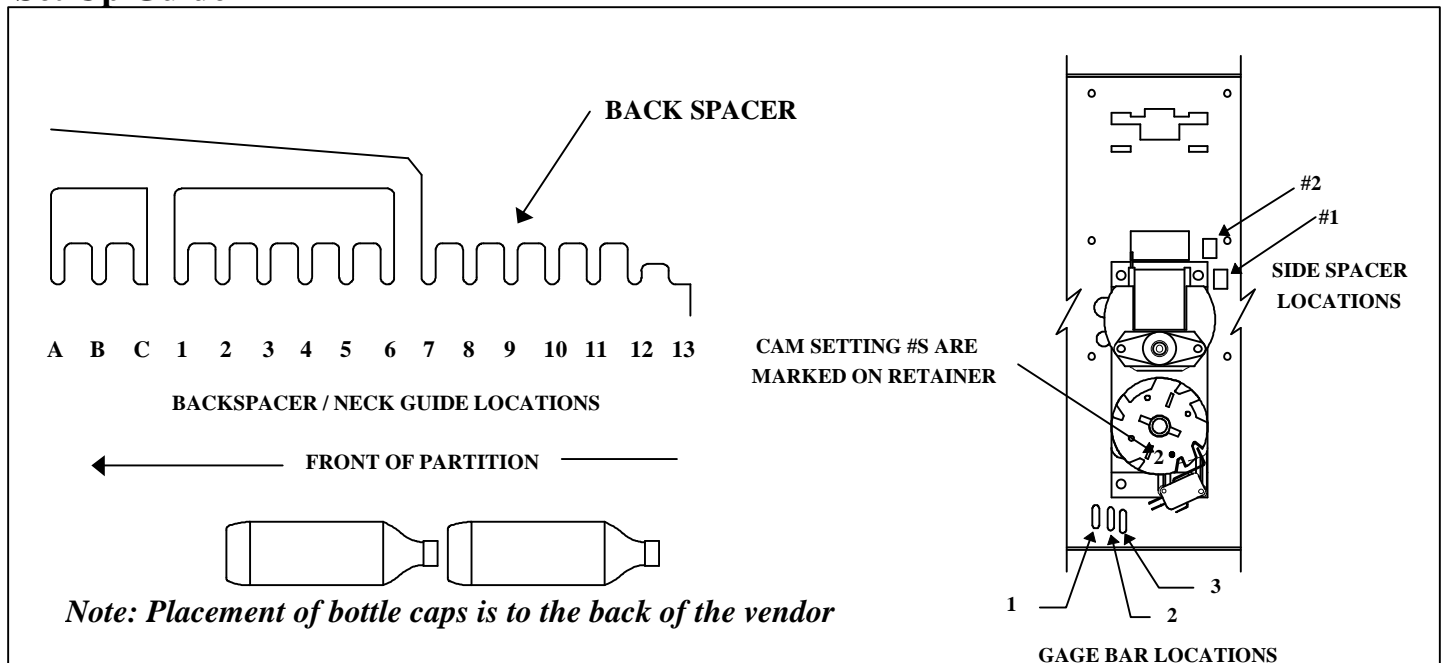
Cam Setting	Back Spacer	Neck Guide Locations	Gage Bar Clip Location	Gage Bar Location	Side Spacer	Sold Out Flap	Sold Out Spacer
2	7	N/A	C/#1	#1	NONE	1083449	1077457

Note: To properly vend 16 Oz. Glass, the Univendor-2 must have the columns setup correctly.



Gage Bar Clip Location Shim/Spacer

Set Up Guide



Note: Placement of bottle caps is to the back of the vendor

FOR OTHER PRODUCT SET-UP GUIDES, CONTACT THE VENDO COMPANY
 TEL: (559) 439-1770 FAX: (559) 439-2083.

Installation Instruction #

1. PRODUCT

20 OZ. GATORADE PET - 2.86 Top x 2.89 Btm x 8.90 Long

2. PRODUCT CAPACITY

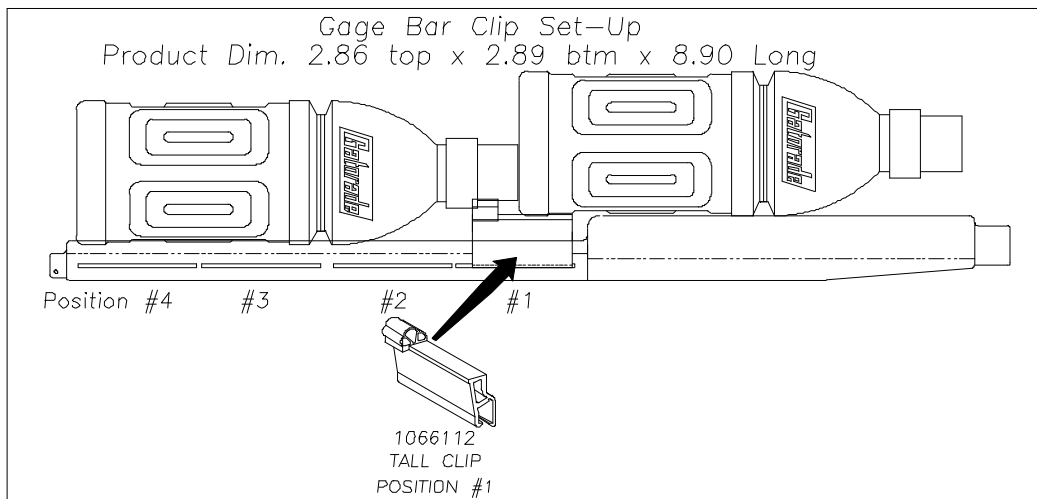
28 PER COLUMN - 72", 34 PER COLUMN - 79"

3. SET UP GUIDE UNIVENDOR-2

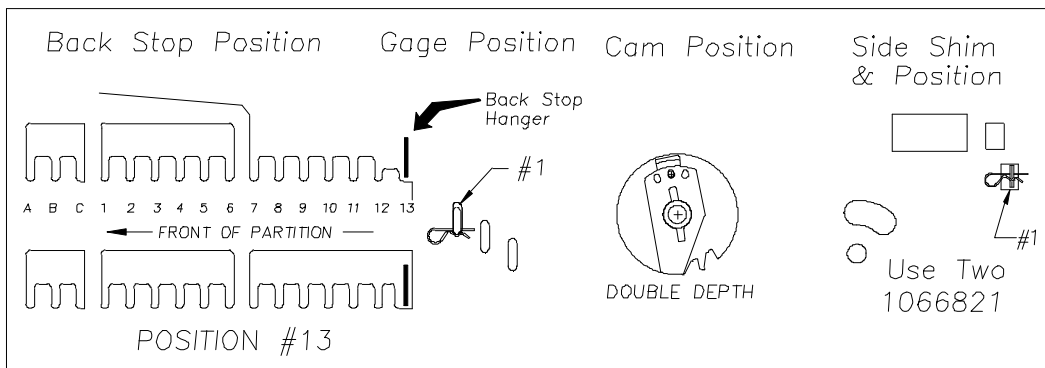
Product	CAM POSITION	BACK SPACER	GAGE BAR	Sold out Lever	SIDE SHIM	GAGE BAR CLIP	
						Part No.	Position
20 oz Gatorade	2	13	1	389242 SHORT	TWO 1066821	1066112	1

Note: To properly vend 20 oz. Gatorade. The Univendor-2 must have the columns setup correctly.

4. GAGE BAR CLIP SET UP.



5. SET UP GUIDE.



6. SOLD-OUT LEVER TO BE SHORT STYLE WITH FRONT SPACER. SPRING TO BE LOCATED ON THE RIGHT SIDE (LOW PRESSURE SETTING).

1. PRODUCT

20 OZ. STRAIGHT WALL PET BOTTLE - 2.90 Top x 8.00 Long

2. PRODUCT CAPACITY

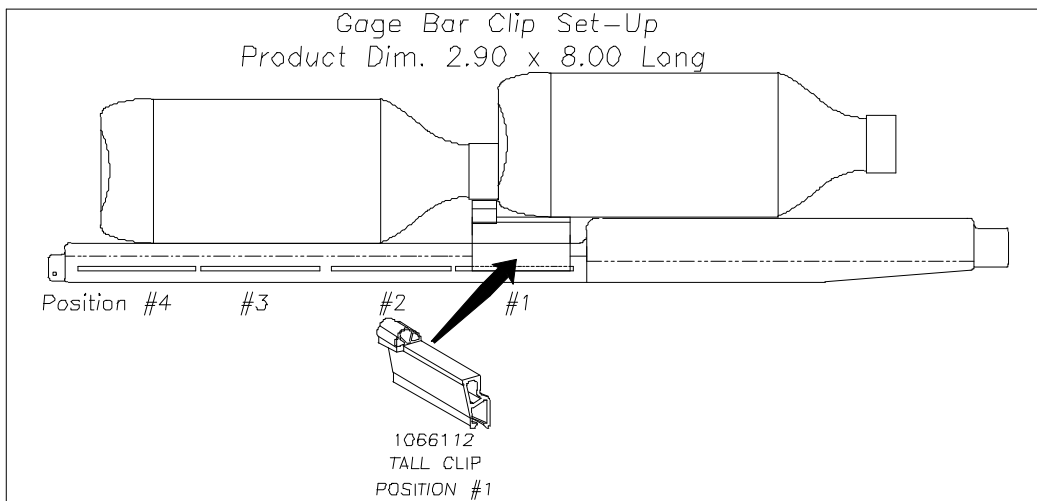
28 PER COLUMN - 72", 32 PER COLUMN - 79"

3. SET UP GUIDE UNIVENDOR-2

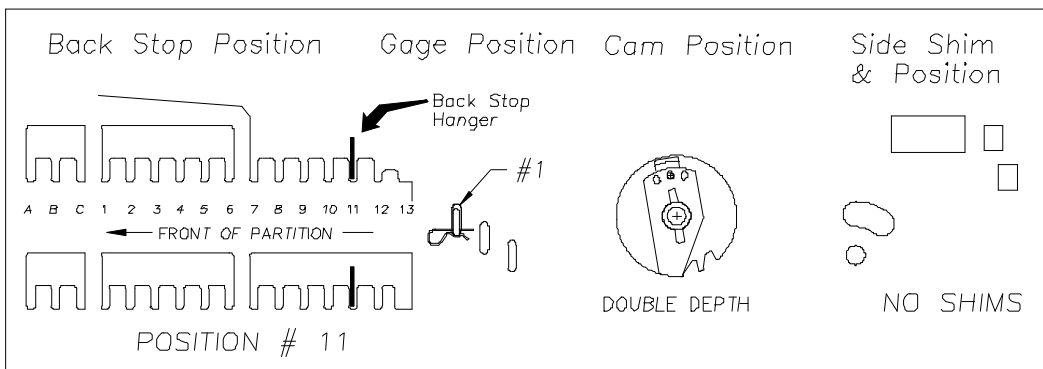
Product	CAM POSITION	BACK SPACER	GAGE BAR	Sold out Lever	SIDE SHIM	GAGE BAR CLIP	
						Part No.	Position
20 oz Straight Wall	2	11	1	389242 SHORT	NONE	1066112	1

Note: To properly vend 20 oz. Straight Wall. The Univendor-2 must have the columns setup correctly.

4. GAGE BAR CLIP SET UP.



5. SET UP GUIDE.



**6. SOLD-OUT LEVER TO BE SHORT STYLE WITH FRONT SPACER.
SPRING TO BE LOCATED ON THE RIGHT SIDE (LOW PRESSURE SETTING).**

Test Report Number 141-2005 Vending Plus-Barbados
Report Dated: (Updated Dec 14, 2005)

SUMMARY OF TEST RESULTS:

Product Name: 20-oz PET see P/Ns
 Manufactured By: Vending Plus
 Bottle: 20 oz PET
 Size: See P/Ns

Tested at SandenVendo America, Inc.- Dallas, TX
 Test location: Engineering Test Lab
 Test Verified BY: Tony Motlagh - Engineering Test Lab

Item 1- 20-oz PET P/N: X-Z00-03-4855 Size: Length 9.06", Top OD 2.60", Bottom OD 2.61"

Machine set up	Uni-2 (79.5)	V-Max (840)	V-21 (821)	GFV (VUE 40)
Product Depth/Cam Setting	2 depth	2 depth	2 depth	8 per Tray
Back Spacer	13	16	9	N/A
Neck Guide Positions	P/N 11201453 (2 Pcs) - Installed in slots C & 13	P/N 1121028 (2 Pcs) - Installed in slots C & B in front and in slots 13 & 14 in the back of column		
Lower Partition Clip	P/N 1066112 (A1)	P/N A1(1066112)	Set Back	N/A
Side Shim Type	P/N 1060686	P/N 1078848 (3 Pcs)	N/A	N/A
Gage Bar Position	1	2	N/A	N/A
Total Test Column Quantity	10	10	10	All trays
Ambient Temperature	72	72	72	73
Package Temperature	36	36	36	37
Humidity	46	46	46	46
Max Prd can Stacked in Col	17 per	22	36	8
Orientation in Column	Cap to Butt	Cap to Butt	Cap to Butt	N/A
Total Product Vend	1,000	1,000	575	320
Test Results	Passed	Passed	Passed	Passed

Item 2- 20-oz PET P/N: X-Z00-03-4857

Length 9.08", Top OD 2.59", Bottom OD 2.65"

Machine set up	Uni-2 (79.5)	V-Max (840)	V-21 (821)	GFV (VUE 40)
Product Depth/Cam Setting	2 depth	2 depth	2 depth	8 per Tray
Back Spacer	13	16	9	N/A
Lower Partition Clip	P/N 1066112 (A1)	P/N 1066112 (A1)	set back	N/A
Side Shim Type	P/N 1060686	P/N 1078848 (3 Pcs)	N/A	N/A
Neck Guide Position	P/N 1120453 (2 Pcs) - Installed in slots C & 13	P/N 1121028 (2 Pcs) - Installed in slots C & B in front and in slots 13 & 14 in the back of column		
Gage Bar Position	2	1	N/A	N/A
Total Test Column Quantity	10	10	10	All trays
Ambient Temperature	73	72	73	73
Package Temperature	36	36	37	37
Humidity	46	46	46	46
Max Prd can Stacked in Col	38	22	36	8
Orientation in Column	Cap to Butt	Cap to Butt	Cap to Butt	N/A
Total Product Vend	1,000	1,000	575	320
Test Results	Passed	Passed	Passed	Passed

Item 3- 20-oz PET P/N: X-Z00-03-4861

Length 8.94", Top OD 2.57", Bottom OD 2.61"

Machine set up	Uni-2 (79.5)	V-Max (840)	V-21 (821)	GFV (VUE 40)
Product Depth/Cam Setting	2 depth	2 depth	2 depth	8 per tray
Back Spacer	13	16	9	N/A
Lower Partition Clip	P/N 1066112 (A1)	P/N 1066112 (A1)	Set Back	N/A

Neck Guide Position	P/N 1120453 (2 Pcs) - Installed in slots C & 13	P/N 1121028 (2 Pcs) - Installed in slots C & B in front and in slots 13 & 14 in the back of column		
Side Shim Type	P/N 1073589	P/N 1078848 (3 Pcs)	N/A	N/A
Gage Bar Position	2	2	N/A	N/A
Total Test Column Quantity	10	10	10	All trays
Ambient Temperature	72	72	72	73
Package Temperature	36	36	37	36
Humidity	46	46	46	46
Max Prd can Stacked in Col	38	22	34	8
Orientation in Column	Cap to Butt	Cap to Butt	Cap To Butt	N/A
Total Product Vend	1,000	1,000	500	320
Test Results	Passed	Passed	Passed	Passed

1. PRODUCT

355 ML, 12 OZ. EVIAN MOUNTAIN TOP - WATER PET BOTTLE - 2.55 x 6.40 Long

2. PRODUCT CAPACITY

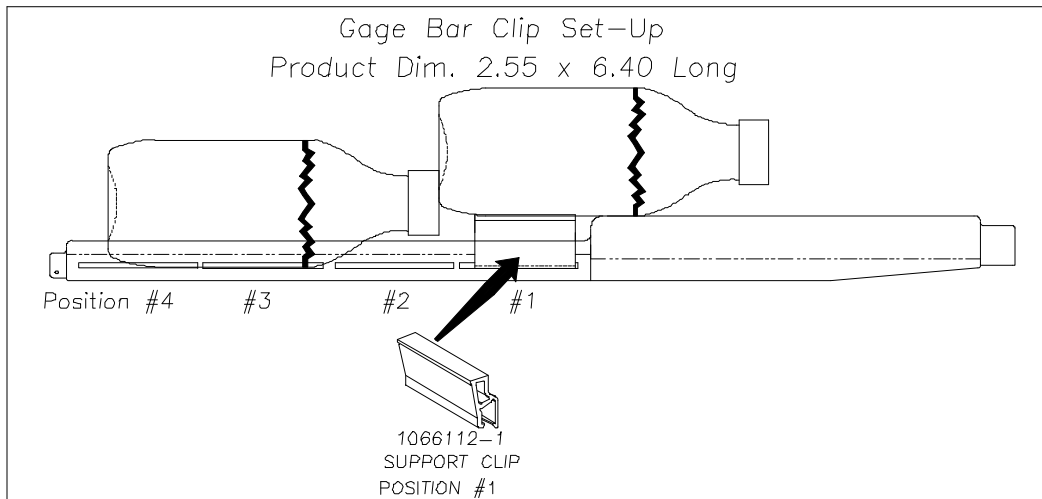
34 PER COLUMN - 72", 44 PER COLUMN - 79"

3. SET UP GUIDE UNIVENDOR-2

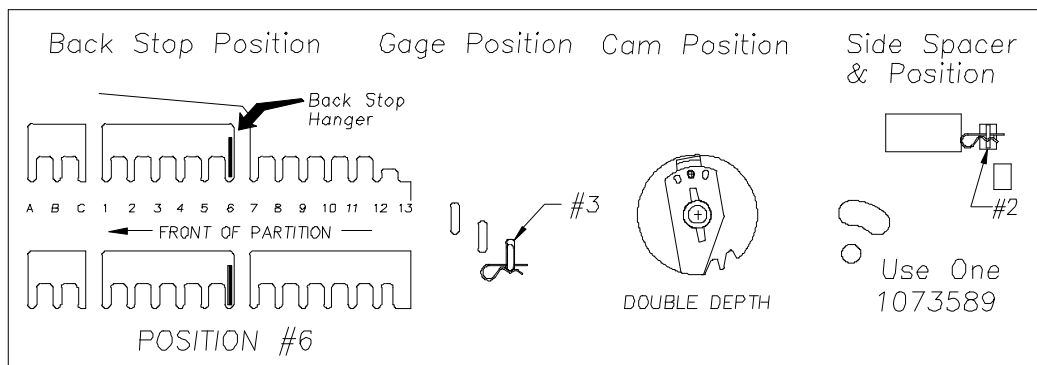
Product	CAM POSITION	BACK SPACER	GAGE BAR	Sold out Lever	SIDE SPACER	GAGE BAR CLIP	
						Part No.	Position
355 ML EVIAN	2	6	3	389242 SHORT	1073589	1066112-1	1

Note: To properly vend Evian 355ML. The Univendor-2 must have the columns setup correctly.

4. GAGE BAR CLIP SET UP.



5. SET UP GUIDE.



6. SOLD-OUT LEVER TO BE SHORT STYLE WITH FRONT SPACER. SPRING TO BE LOCATED ON THE RIGHT SIDE (LOW PRESSURE SETTING).

CRYSTAL SPRINGS/DANNON WATER 500 ML "WAVE" PET BOTTLE



1. PRODUCT

Rev. 7/30/98

500 ML, 1 PT.9 OZ. CRYSTAL SPRINGS/DANNON - WATER "WAVE" PET BTL - 2.50 x 8.40 Long

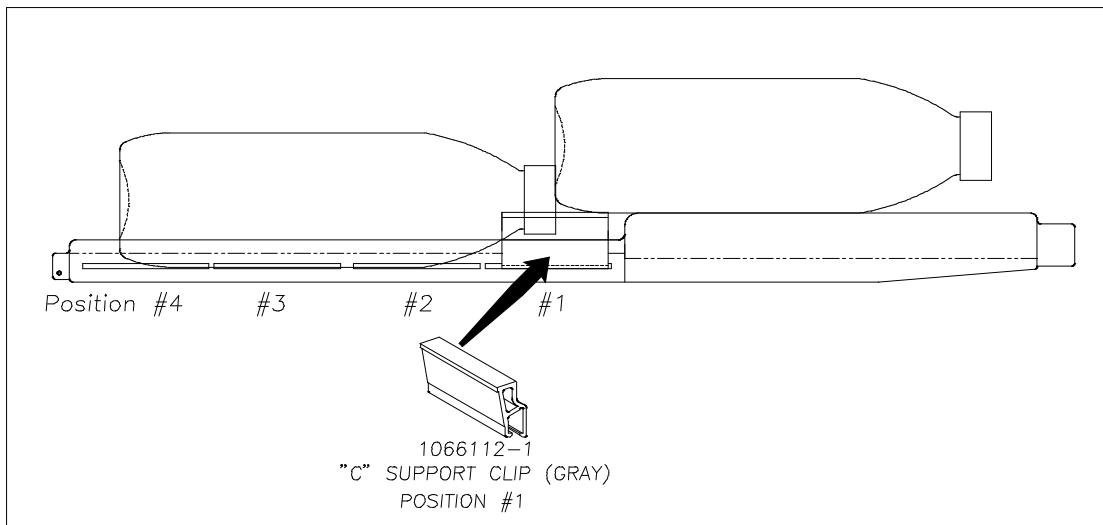
2. PRODUCT CAPACITY

34 PER COLUMN - 72", 42 PER COLUMN - 79"

3. SET UP GUIDE UNIVENDOR-2

Product	CAM POSITION	BACK SPACER	GAGE BAR	Sold out Lever	SIDE SPACER	GAGE BAR CLIP	
						Part No.	Position
500 ML Water	2	12	2	1083449 SHORT	1069791	1066112-1	1

4. GAGE BAR CLIP SET UP.



5. SET UP GUIDE.

<p>Back Stop Position</p> <p>POSITION #12</p>	<p>Gage Position</p> <p>#2</p>	<p>Cam Position</p> <p>DOUBLE DEPTH</p>	<p>Side Spacer & Position</p> <p>Use One 1069791</p>
---	--------------------------------	---	--

6. SOLD-OUT LEVER TO BE SHORT STYLE WITH FRONT SPACER #1077457. SPRING TO BE LOCATED ON THE RIGHT SIDE (LOW PRESSURE SETTING).

7. FOR OTHER PRODUCT SET UP GUIDES CONTACT VENDO COMPANY. TEL: (209) 439-1770 FAX: (209) 439-2083.

DANNON WATER 500 ML "RIBBED" PET BOTTLE



UNIVENDOR-2 PRODUCT SET-UP GUIDE

7/28/97

1. PRODUCT

Rev. 7/30/98

500 ML, 1 PT.9 OZ. DANNON - WATER "RIBBED" PET BOTTLE - 2.60 x 7.94 Long

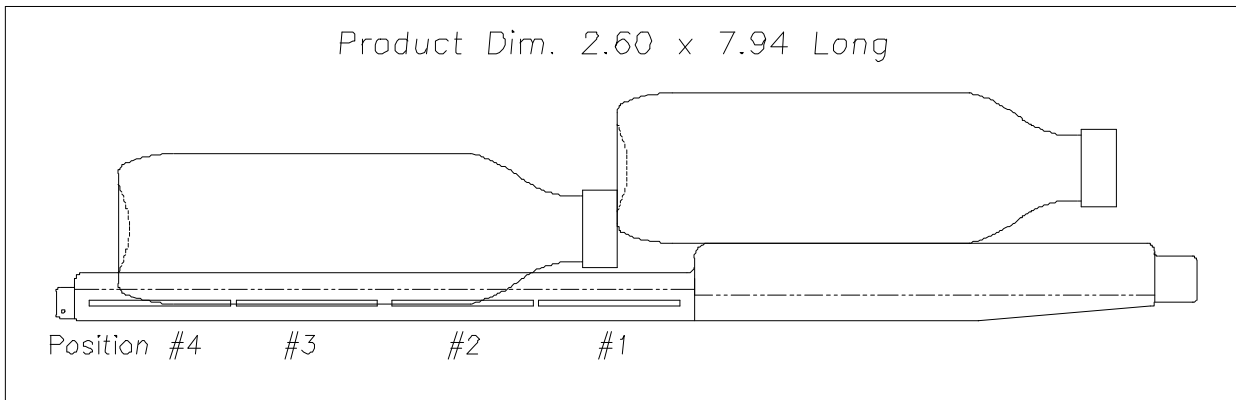
2. PRODUCT CAPACITY

34 PER COLUMN - 72", 42 PER COLUMN - 79"

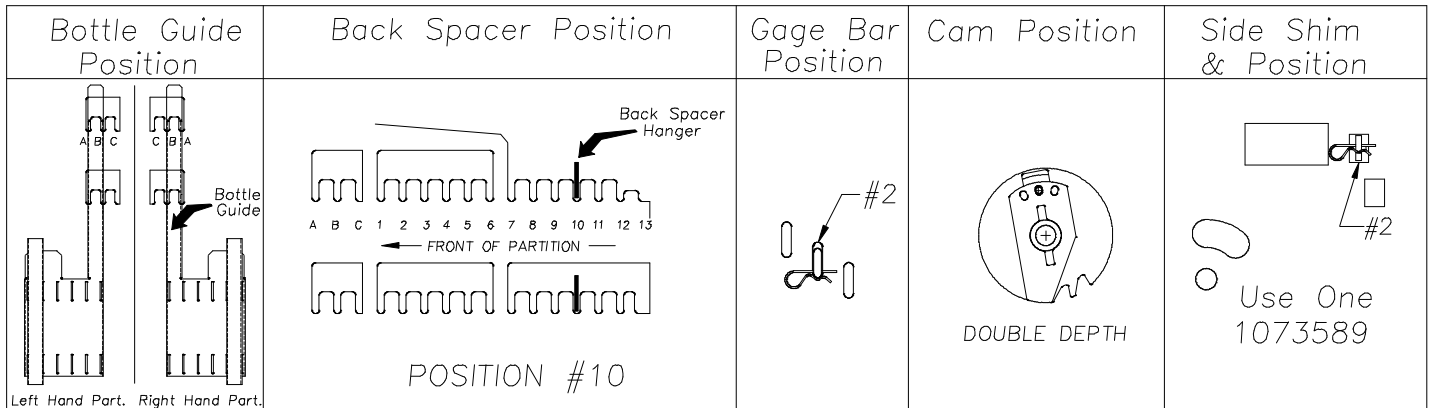
3.

Product	CAM POSITION	BACK SPACER	GAGE BAR	Sold out Lever	BOTTLE GUIDE	SIDE SPACER	GAGE BAR CLIP	
							Part No.	Position
500 ML DANNON	2	10	2	1083449 SHORT	1085457	1073589	NONE	0

4. GAGE BAR CLIP SET UP.



5. SET UP GUIDE.



6. BOTTLE PRODUCT POSITION SET-UP: (REQUIRES KIT #1085457) LEFT AND RIGHT HAND PARTITION SET IN POSITIONS A & B. SEE DETAIL IN #5. BOTTLE GUIDE POSITION.

7. SOLD-OUT LEVER TO BE SHORT STYLE WITH FRONT SPACER #1077457. SPRING TO BE LOCATED ON THE RIGHT SIDE (LOW PRESSURE SETTING).

8. FOR OTHER PRODUCT SET UP GUIDES CONTACT THE VENDO COMPANY.

DANNON WATER 500 ML "RIBBED" PET BOTTLE

TEL: (209) 439-1770 FAX: (209) 439-2083.

1. PRODUCT

500 ML, 1 PT.9 OZ. EVIAN MOUNTAIN TOP - WATER PET BOTTLE - 2.55 x 8.46 Long

2. PRODUCT CAPACITY

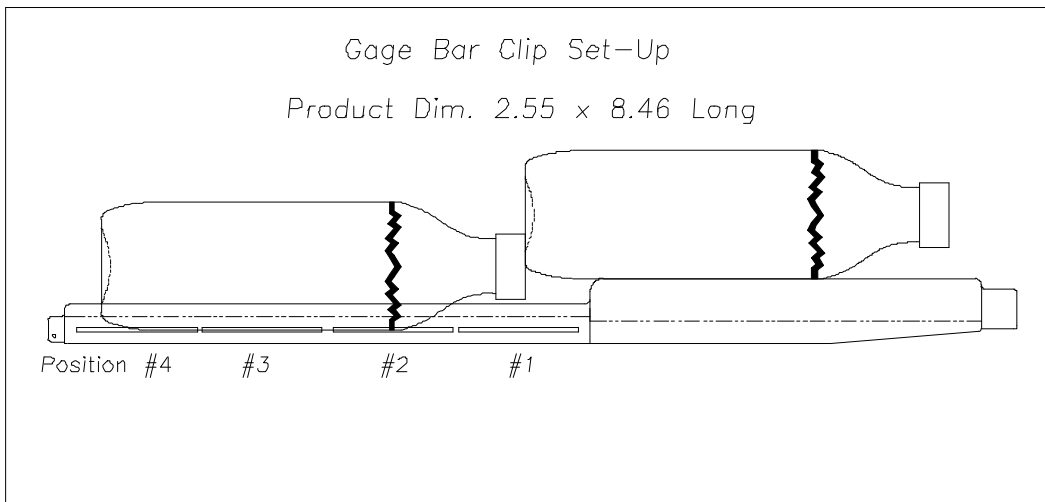
34 PER COLUMN - 72", 42 PER COLUMN - 79"

3. SET UP GUIDE UNIVENDOR-2

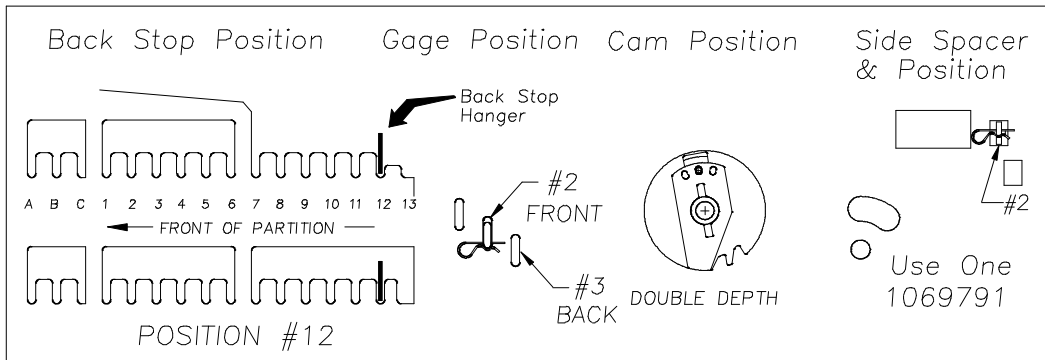
Product	CAM POSITION	BACK SPACER	GAGE BAR	Sold out Lever	SIDE SPACER	GAGE BAR CLIP	
						Part No.	Position
500 ML EVIAN	2	12	2 Front 3 Back	389242 SHORT	1069791	NONE	0

Note: To properly vend Evian 500ML. The Univendor-2 must have the columns setup correctly.

4. GAGE BAR CLIP SET UP.



5. SET UP GUIDE.



6. SOLD-OUT LEVER TO BE SHORT STYLE WITH FRONT SPACER. SPRING TO BE LOCATED ON THE RIGHT SIDE (LOW PRESSURE SETTING).

**FOR OTHER PRODUCT SET-UP GUIDES, CONTACT THE VENDO COMPANY.
TEL: (559) 439-1770 FAX: (559) 439-2083.**

1. PRODUCT

500 ML, 1 PT.9 OZ. EVIAN CACHAT WATER STRAIGHT WALL PET BOTTLE - 2.39 Top x 2.41 Btm x 8.82 Long

2. PRODUCT CAPACITY

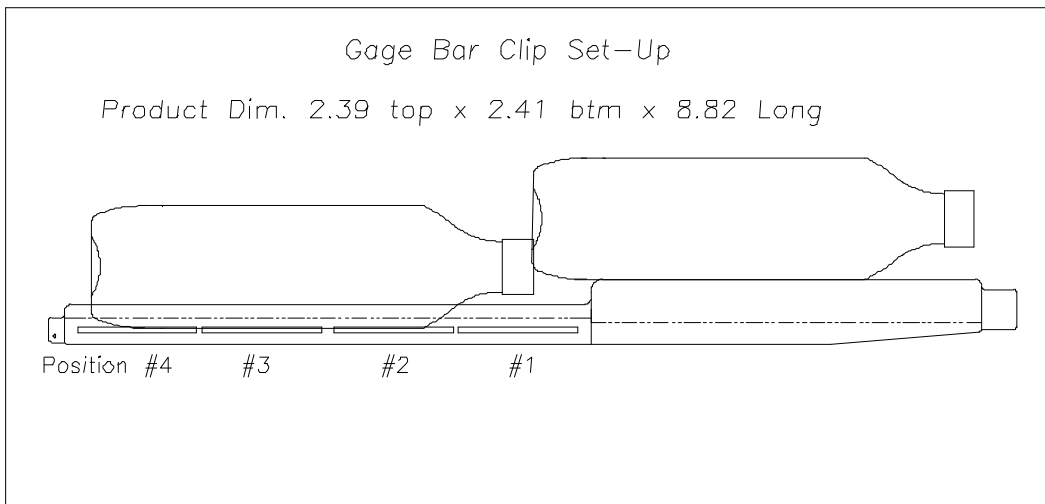
34 PER COLUMN - 72", 42 PER COLUMN - 79"

3. SET UP GUIDE UNIVENDOR-2

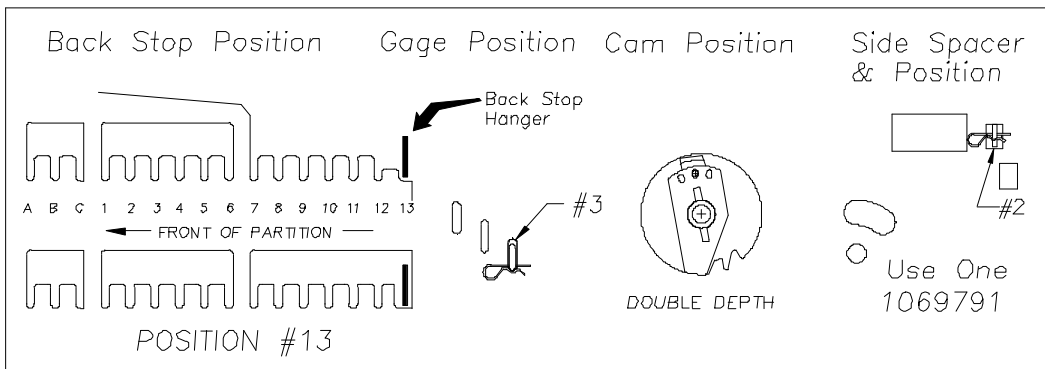
Product	CAM POSITION	BACK SPACER	GAGE BAR	Sold out Lever	SIDE SPACER	GAGE BAR CLIP	
						Part No.	Position
500 ML EVIAN SW	2	13	3	389242 SHORT	1069791	NONE	0

Note: To properly vend 500ML. EVIAN. The Univendor-2 must have the columns setup correctly.

4. GAGE BAR CLIP SET UP.



5. SET UP GUIDE.



6. SOLD-OUT LEVER TO BE SHORT STYLE WITH FRONT SPACER. SPRING TO BE LOCATED ON THE RIGHT SIDE (LOW PRESSURE SETTING).

1. PRODUCT

500 ML, 1 PT.9 OZ. MIDNIGHT SPRINGS - WATER PET BOTTLE - 2.62 x 8.25 Long

2. PRODUCT CAPACITY

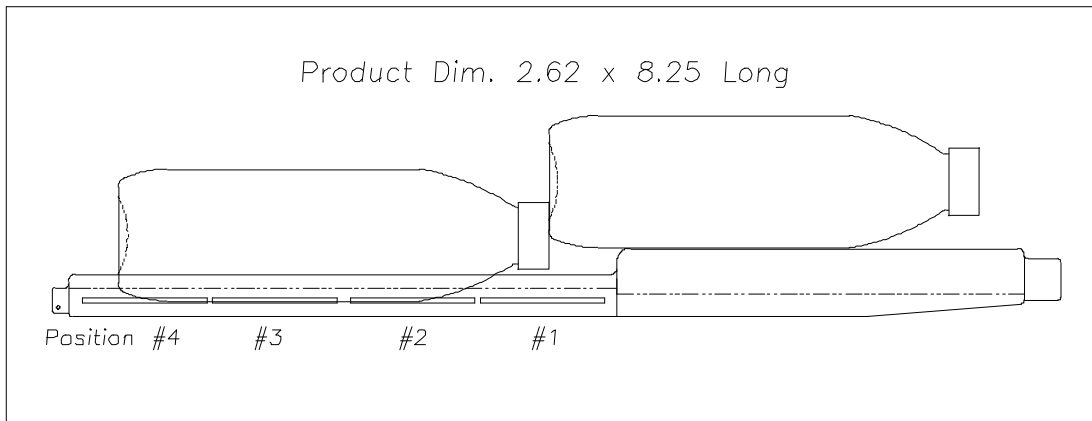
34 PER COLUMN - 72", 42 PER COLUMN - 79"

3. SET UP GUIDE UNIVENDOR-2

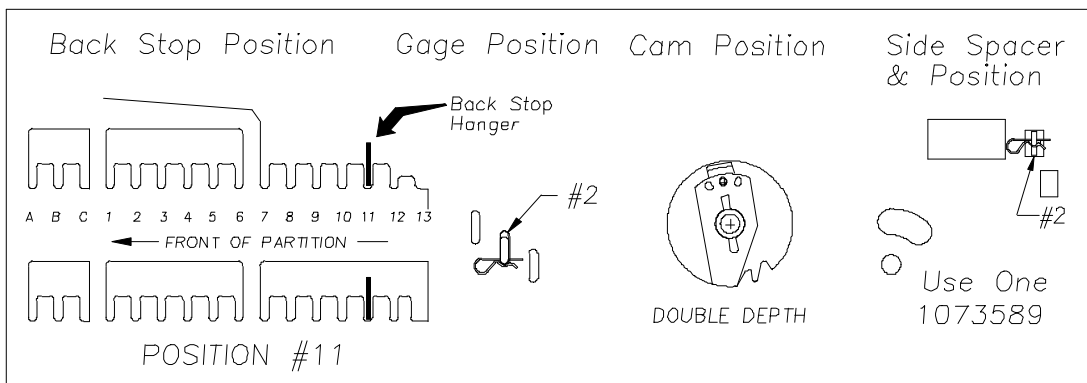
Product	CAM POSITION	BACK SPACER	GAGE BAR	Sold out Lever	SIDE SPACER	GAGE BAR CLIP	
						Part No.	Position
500 ML M.Springs	2	11	2	389242 SHORT	1073589	NONE	0

Note: To properly vend Midnight Spring 500ML. The Uni-2 must have the columns setup correctly.

4. GAGE BAR CLIP SET UP.



5. SET UP GUIDE.



6. SOLD-OUT LEVER TO BE SHORT STYLE WITH FRONT SPACER. SPRING TO BE LOCATED ON THE RIGHT SIDE (LOW PRESSURE SETTING).

1. PRODUCT

VOLVIC WATER 500 ml. SQ PET - 2.41 x 7.98 Long (see Note 5.)

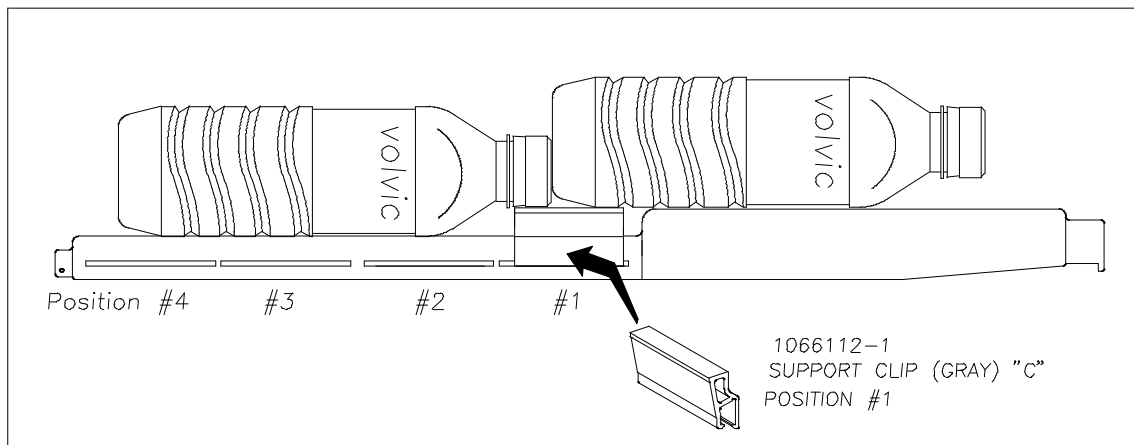
2. PRODUCT CAPACITY

32 PER COLUMN - 72", 40 PER COLUMN - 79"

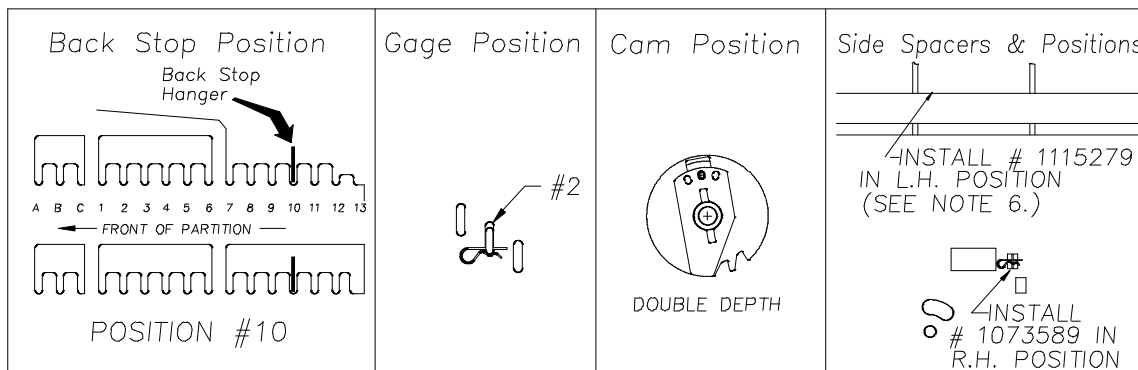
3.

Product	CAM POSITION	BACK SPACER	GAGE BAR	Sold out Lever	SIDE Spacer		GAGE BAR CLIP	
					LH	RH	Part No.	Position
500 ml Volvic	2	10	2	1083449 SHORT	1115279 LH	1073589 RH	1066112-1	1

4. GAGE BAR CLIP SET UP.



5. SET UP GUIDE.



5. Because the bottle is square, it may contact an "A" support clip (black) in the next right column. If the Volvic product hangs there, the clip should be removed.
6. Because of the Load Rack Bracket, the left hand spacer can't be installed in column # 6. Therefore, this product can't be vended in that column.
7. The Sold-out Lever is to be the short style with the long front spacer. The Spring is to be located on the right side (low pressure setting).
8. FOR OTHER PRODUCT SET UP GUIDES, CONTACT THE VENDO COMPANY. TEL: (209) 439-1770. FAX: (209) 439-2083.

1. PRODUCT

500 ML, 16.9 OZ. Klarbrunn Pure Drinking Water - 2.67 x 8.25 Long

2. PRODUCT CAPACITY

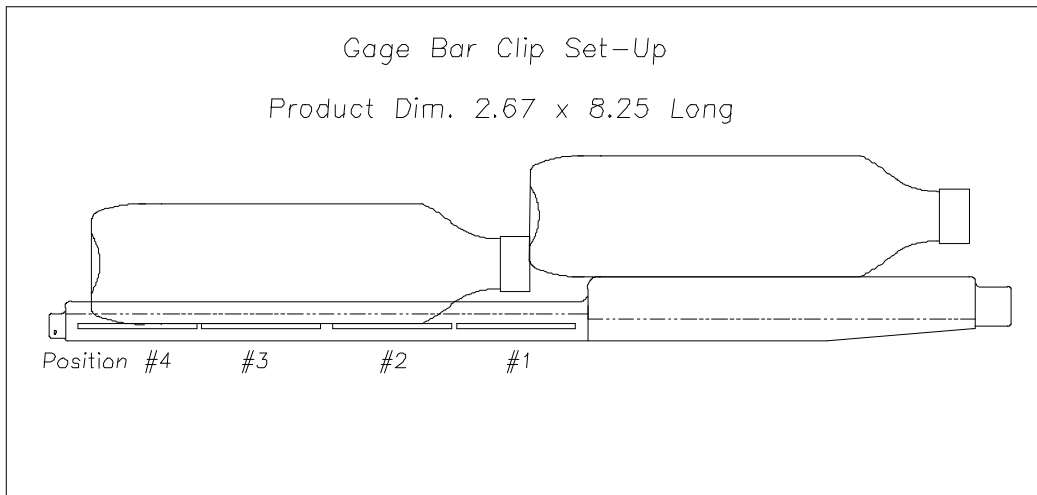
34 PER COLUMN - 72", 42 PER COLUMN - 79"

3. SET UP GUIDE UNIVENDOR-2

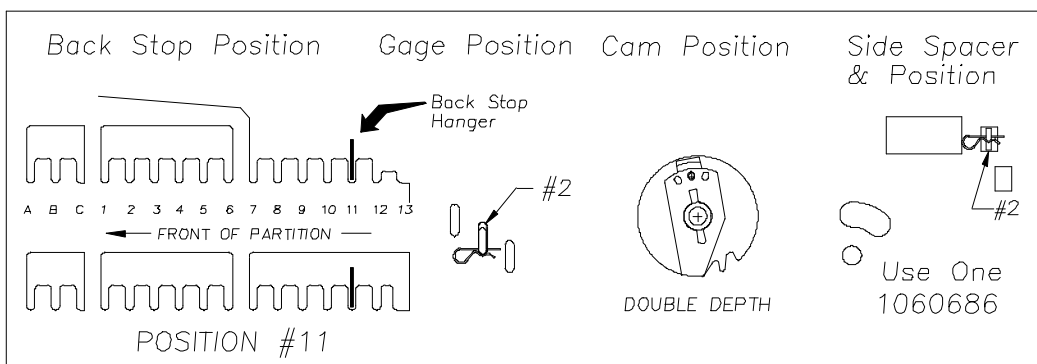
Product	CAM POSITION	BACK SPACER	GAGE BAR	Sold out Lever	SIDE SPACER	GAGE BAR CLIP	
						Part No.	Position
500 ML Klarbrunn	2	11	2	389242 SHORT	1060686	NONE	0

Note: To properly vend Klarbrunn PET. The Univendor-2 must have the columns setup correctly.

4. GAGE BAR CLIP SET UP.



5. SET UP GUIDE.



6. SOLD-OUT LEVER TO BE SHORT STYLE WITH FRONT SPACER. SPRING TO BE LOCATED ON THE RIGHT SIDE (LOW PRESSURE SETTING).

Vendo[®] Engineering Uni-2 Set Up Guide

Size: 500ml / 16.9oz

Rev. A Date 06/19/01

Pkg. Description/Type: DANNON WATER

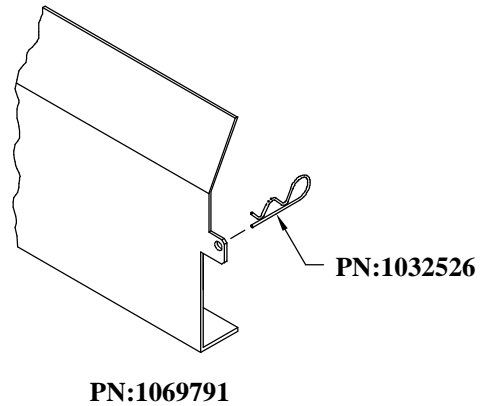
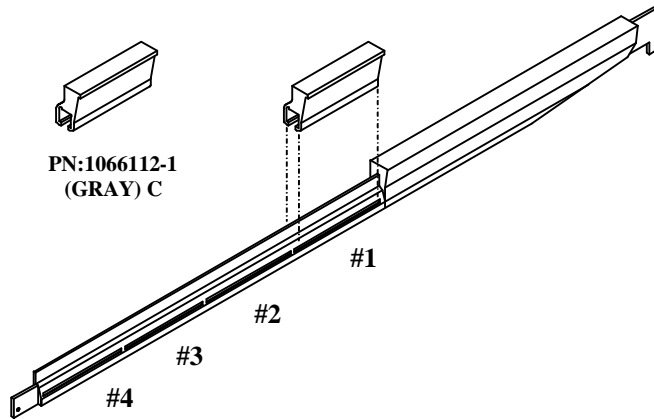
Franchise: DANNON

KIT#

Column Setup

Cam Setting	Back Spacer	Neck Guide Locations	Gage Bar Clip Location	Gage Bar Location	Side Spacer	Sold Out Flap	Sold Out Spacer
2	12	N/A	C/#1	#2	1069791 Loc. #2	Short* 1083449	1077457

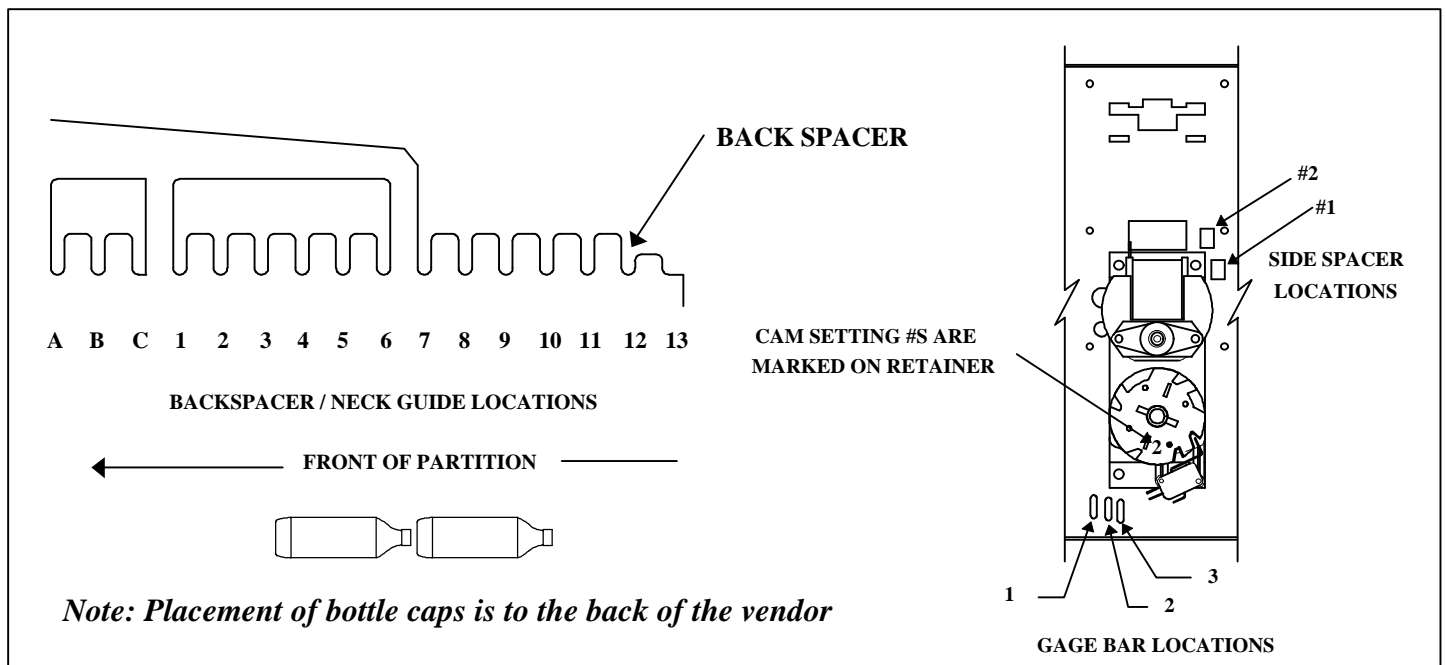
Note: To properly vend product the Uni-2 must have the columns set up as illustrated. *Spring Loc. Rt (Low Tension) side.



Gage Bar Clip Location

Shim/Spacer

Set Up Guide



FOR OTHER PRODUCT SET-UP GUIDES, CONTACT THE VENDO COMPANY
 TEL: (559) 439-1770 FAX: (559) 650-3455.

Installation Instruction #

Vendo[®] Engineering *Uni-2 Set Up Guide*

Size: 20.8oz / 615ml

Rev. A Date 06/19/01

Pkg. Description/Type: DANNON WATER WITH SPORT CAP

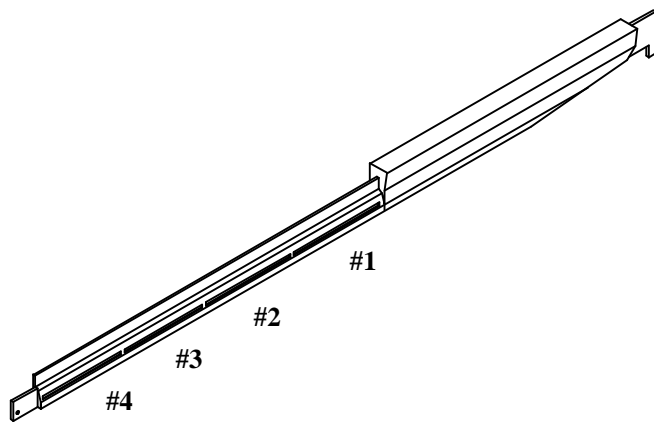
Franchise: DANNON

KIT#

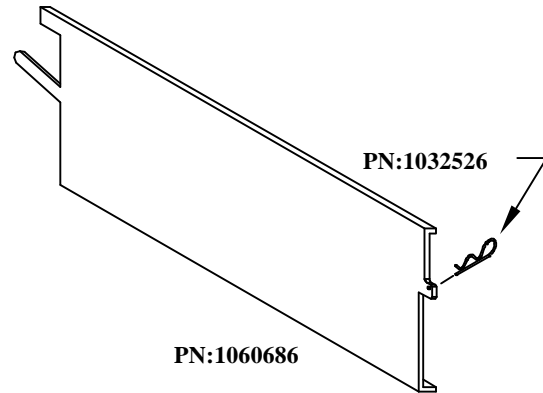
Column Setup

Cam Setting	Back Spacer	Neck Guide Locations	Gage Bar Clip Location	Gage Bar Location	Side Spacer	Sold Out Flap	Sold Out Spacer
1	C	N/A	N/A	#2	1060686 Loc. #2	Short* 1083449	1077457

Note: To properly vend product the Uni-2 must have the columns set up as illustrated. *Spring Loc. Rt (Low Tension) side.



Gage Bar Clip Location



Shim/Spacer

Set Up Guide

Note: Placement of bottle caps is to the back of the vendor

FOR OTHER PRODUCT SET-UP GUIDES, CONTACT THE VENDO COMPANY

TEL: (559) 439-1770 FAX: (559) 650-3455.

Installation Instruction #

Vendo[®] Engineering 511 72" Uni-2 Set Up Guide

Size: 8.3 oz / 250ML 2.09 x 5.29 (53mm x 134mm)

Rev. A Date 05/09/01

Pkg. Description/Type: RED BULL

Franchise: RED BULL

KIT#1122506

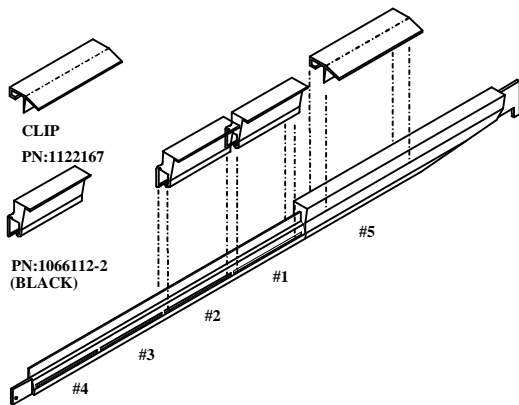
Column Setup

Cam Setting	Back Spacer	Neck Guide Location	Gage Bar Clip Location	Gage Bar Location	Magnetic Column Spacer (*)	Side Spacer	Sold Out Flap	Sold Out Spacer
3	10	N/A	See Detail	#3	1 pkg of 2 1114348-8	1122166-1 Loc. #2	Short 1083449	1077457

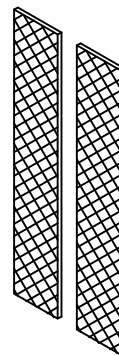
Note: To properly vend product the Uni-2 must have the columns set up as illustrated.

The 250ml product must be vended on the right side of mixed product. (Jam will occur if adjacent right gage bar is in slot #1)

*Install magnetic column spacers into right side of partition above product side spacer (See Figure 1 for installation detail)

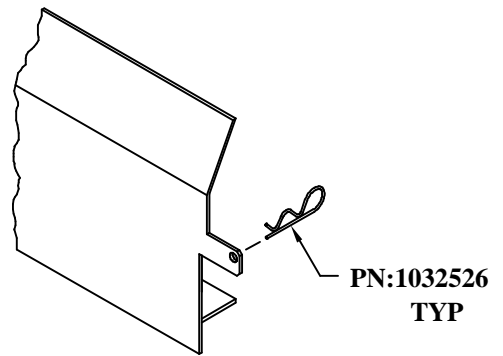


Gage Bar Clip Location



PN:1114348-8

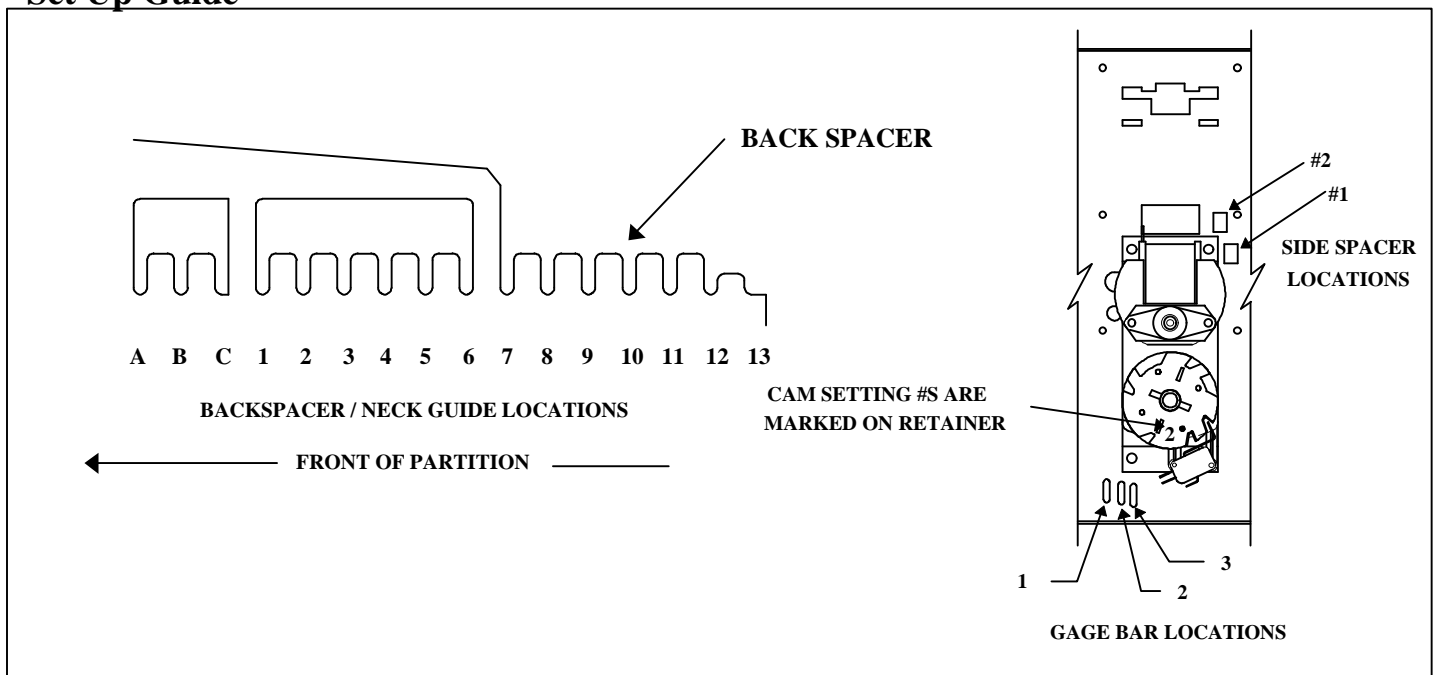
Column Spacers



PN:1122166-1

Spacer

Set Up Guide



FOR OTHER PRODUCT SET-UP GUIDES, CONTACT THE VENDO COMPANY.

TEL: (559) 439-1770 FAX: (559) 650-3455.

Installation Instruction #1122507

Caution: *Disconnect power cord from power source before beginning installation*

Installation (see Figure 1)

- Step #1** Locate Back Spacer into position #10.
- Step #2** Install .74 product side spacer (P/N1122166-1).
- Step #3** Install pkg. of two 31.8" long magnetic foam pads (P/N1114348-8) on the right side partition.
Locate pads as shown in Figure 1 above the .74 product side spacer (P/N1122166-1)

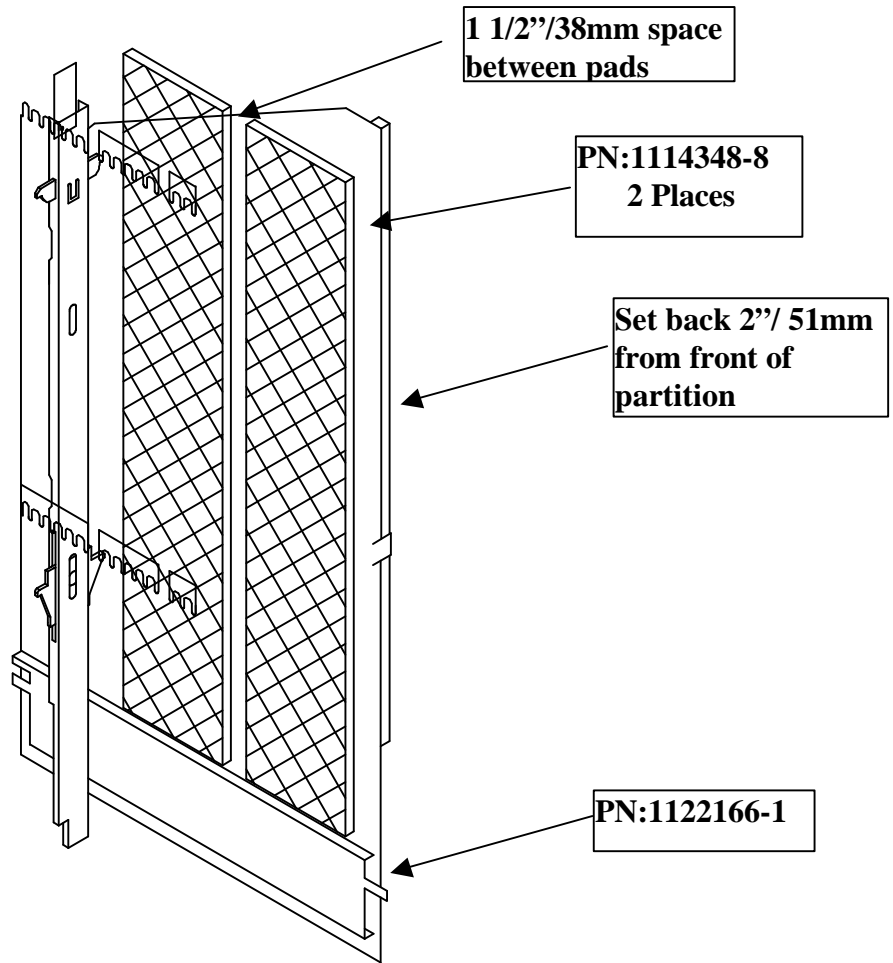


Figure 1

Right Side Partition

Vendo[®] Engineering 601 79" Uni-2 Set Up Guide

Size: 8.3 oz / 250ML 2.09 x 5.29 (53mm x 134mm)

Rev. A Date 05/09/01

Pkg. Description/Type: RED BULL

Franchise: RED BULL

KIT#1122508

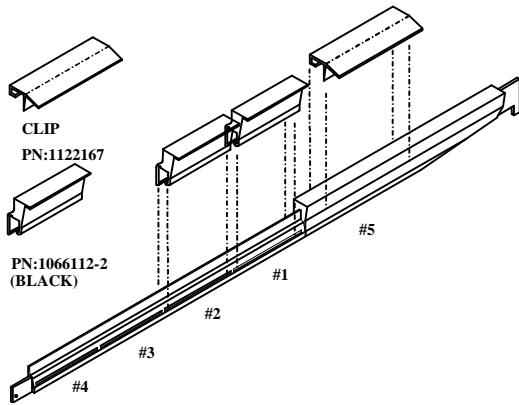
Column Setup

Cam Setting	Back Spacer	Neck Guide Location	Gage Bar Clip Location	Gage Bar Location	Magnetic Column Spacer (*)	Side Spacer	Sold Out Flap	Sold Out Spacer
3	10	N/A	See Detail	#3	1 pkg of 2 1114348-7	1122166-1 Loc. #2	Short 1083449	1077457

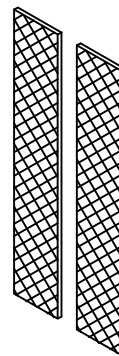
Note: To properly vend product the Uni-2 must have the columns set up as illustrated.

The 250ml product must be vended on the right side of mixed product. (Jam will occur if adjacent right gage bar is in slot #1)

*Install magnetic column spacers into right side of partition above product side spacer (See Figure 1 for installation detail)

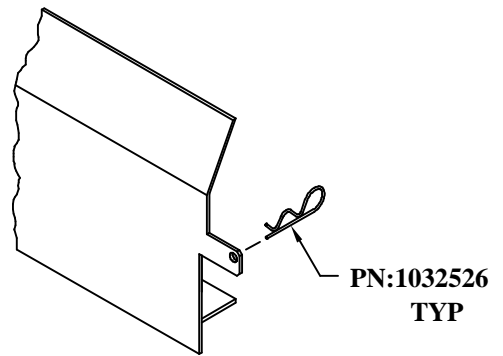


Gage Bar Clip Location



PN:1114348-7

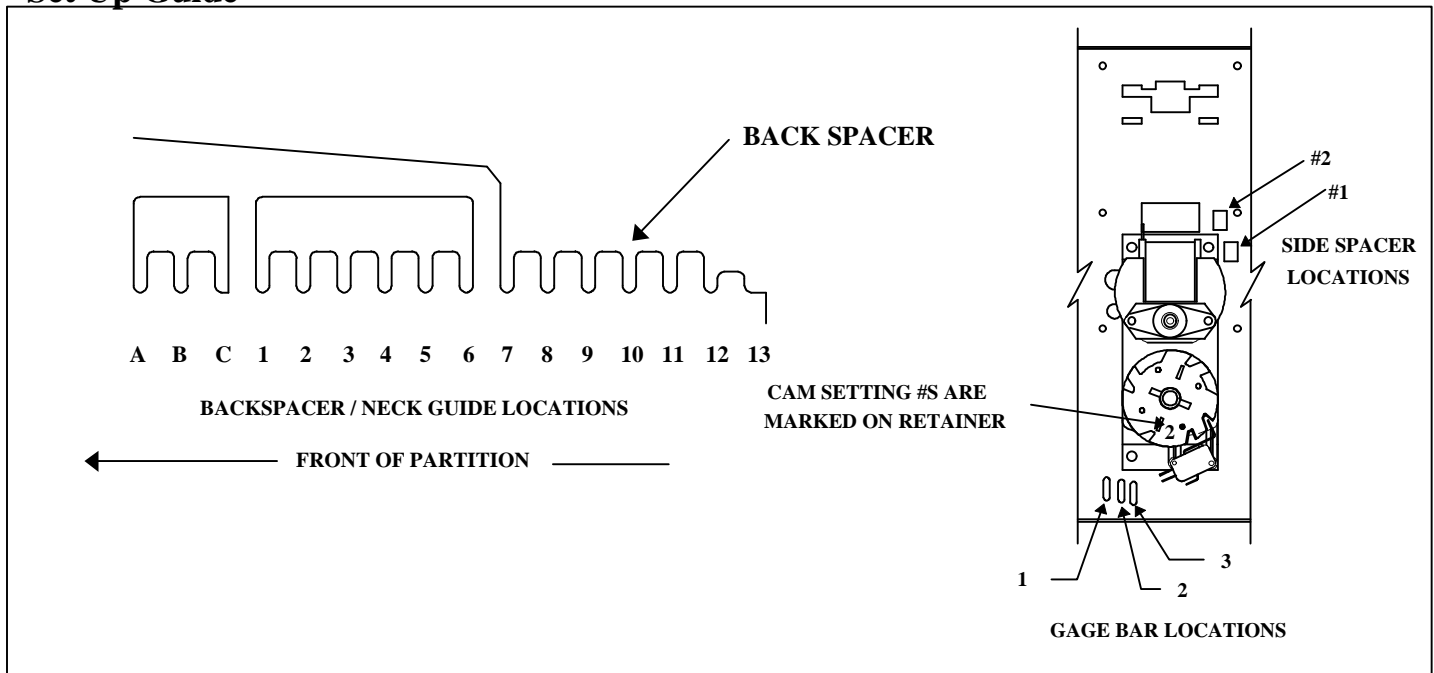
Column Spacers



PN:1122166-1

Spacer

Set Up Guide



FOR OTHER PRODUCT SET-UP GUIDES, CONTACT THE VENDO COMPANY.

TEL: (559) 439-1770 FAX: (559) 650-3455.

Installation Instruction #1122509

Caution: *Disconnect power cord from power source before beginning installation*

Installation (see Figure 1)

- Step #1** Locate Back Spacer into position #10.
- Step #2** Install .74 product side spacer (P/N1122166-1).
- Step #3** Install pkg. of two 38" long magnetic foam pads (P/N114348-7) on the right side partition.
Locate pads as shown in Figure 1 above the .74 product side spacer (P/N1122166-1)

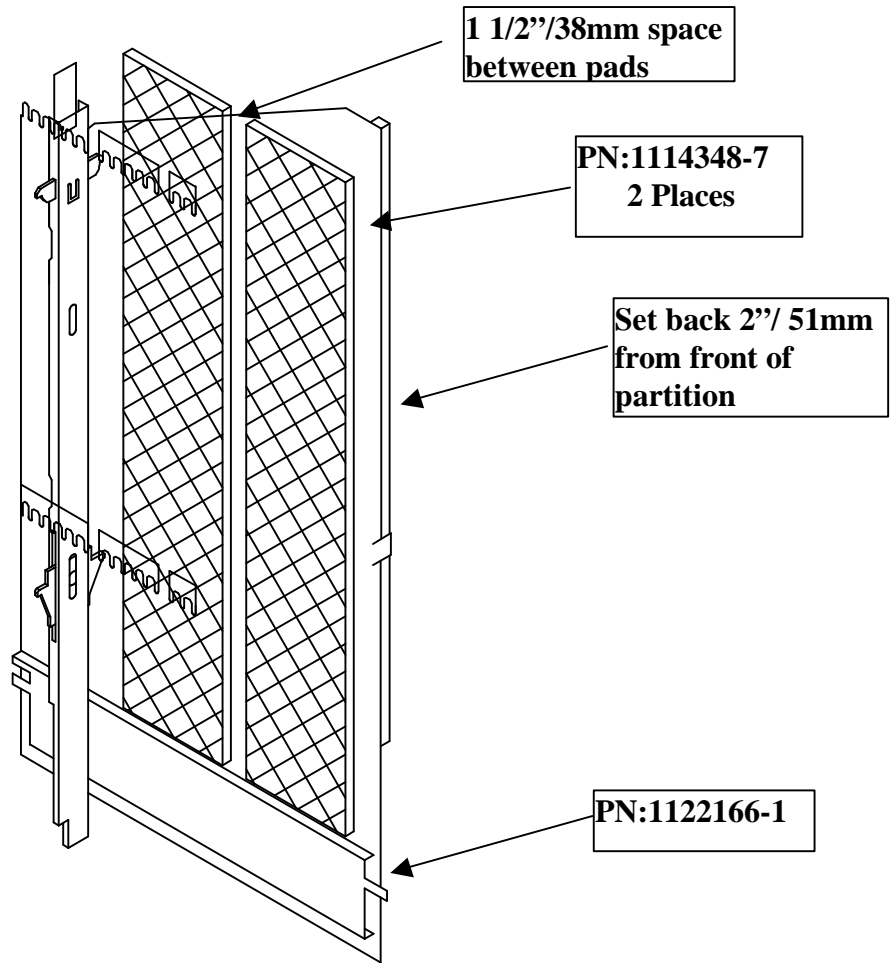


Figure 1

Right Side Partition